



US00D692963S

(12) **United States Design Patent**
Radtke et al.

(10) **Patent No.:** **US D692,963 S**
(45) **Date of Patent:** **** Nov. 5, 2013**

- (54) **SCOOTER**
- (75) Inventors: **John Radtke**, Pomona, CA (US);
William Griggs, Anaheim, CA (US);
Robert Hadley, Yorba Linda, CA (US)
- (73) Assignee: **Razor USA LLC**, Cerritos, CA (US)
- (**) Term: **14 Years**
- (21) Appl. No.: **29/430,885**
- (22) Filed: **Aug. 30, 2012**
- (51) **LOC (9) Cl.** **21-01**
- (52) **U.S. Cl.**
USPC **D21/423**
- (58) **Field of Classification Search**
USPC D21/419, 421, 423, 426, 769, 760, 765,
D21/771, 803; D12/1, 8; 280/14.21, 14.25,
280/14.26, 87.041, 87.042, 263, 288.1,
280/288.2, 288.4, 200, 214, 809; 180/180,
180/181
See application file for complete search history.

4,905,946 A	3/1990	Wang	
5,102,079 A	4/1992	Lee	
5,183,129 A	2/1993	Powell	
5,238,082 A	8/1993	Stegeman et al.	
5,437,425 A	8/1995	Hou	
5,630,633 A	5/1997	Dupre et al.	
5,692,761 A	12/1997	Havlovitz	
5,816,614 A	10/1998	Kramer, Jr. et al.	
5,848,660 A	12/1998	McGreen	
5,927,733 A	7/1999	Banda	
5,938,223 A	8/1999	Kotlier	
5,992,566 A	11/1999	Yeh	
6,120,044 A	9/2000	Tsai	
D435,873 S *	1/2001	Lee	D21/423
D435,874 S *	1/2001	Cheng	D21/423
6,173,976 B1 *	1/2001	Lee	280/87.041
6,182,988 B1	2/2001	Wu	
D438,912 S *	3/2001	Barrera	D21/423

(Continued)

Primary Examiner — Cynthia M Chin

(74) *Attorney, Agent, or Firm* — Knobbe Martens Olson & Bear, LLP

(57) **CLAIM**

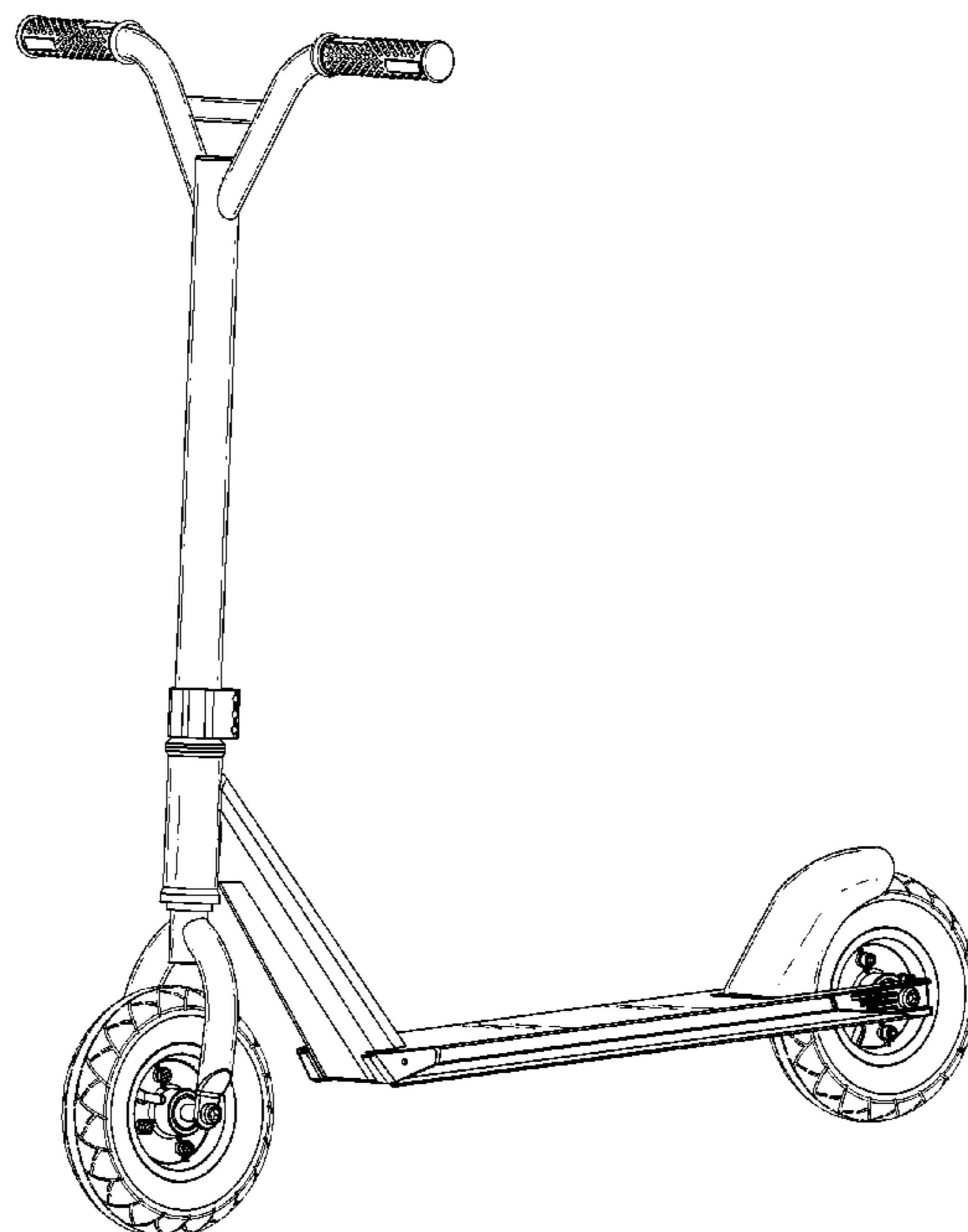
The ornamental design for a scooter, as shown and described.

DESCRIPTION

FIG. 1 is a perspective view of a scooter.
 FIG. 2 is another perspective view of the scooter of FIG. 1.
 FIG. 3 is a front view of the scooter of FIG. 1.
 FIG. 4 is a rear view of the scooter of FIG. 1.
 FIG. 5 is a top side view of the scooter of FIG. 1.
 FIG. 6 is a bottom side view of the scooter of FIG. 1.
 FIG. 7 is a left side view of the scooter of FIG. 1; and,
 FIG. 8 is a right side view of the scooter of FIG. 1.
 The broken lines represent portions of the article that form no part of the claim.

1 Claim, 6 Drawing Sheets

- (56) **References Cited**
U.S. PATENT DOCUMENTS
- 1,297,282 A 3/1919 White
- 1,391,312 A 9/1921 Gebhardt
- 1,570,189 A 1/1926 Sturm
- 1,658,068 A 2/1928 White
- 1,687,953 A 10/1928 Starks
- 1,968,975 A 8/1934 Upsacker et al.
- 2,546,711 A 3/1951 Amendt
- 3,396,928 A 8/1968 Lay
- 4,144,822 A 3/1979 Roberts et al.
- 4,584,735 A 4/1986 Garber
- 4,707,884 A 11/1987 Chang
- 4,735,392 A 4/1988 Farmer



(56)

References Cited

U.S. PATENT DOCUMENTS

6,206,387 B1 3/2001 Tsai
D446,259 S * 8/2001 Udwin et al. D21/423
D452,284 S * 12/2001 McGinnis D21/423
6,378,880 B1 * 4/2002 Lin 280/87.05

6,431,567 B2 8/2002 Tsai
D463,508 S * 9/2002 Stroppiana D21/423
D467,625 S * 12/2002 Clark et al. D21/423
7,976,035 B2 * 7/2011 Chan 280/87.05
D654,963 S * 2/2012 Powers et al. D21/423
8,113,525 B2 * 2/2012 Lin 280/87.041
D684,217 S * 6/2013 Hadley D21/423
* cited by examiner

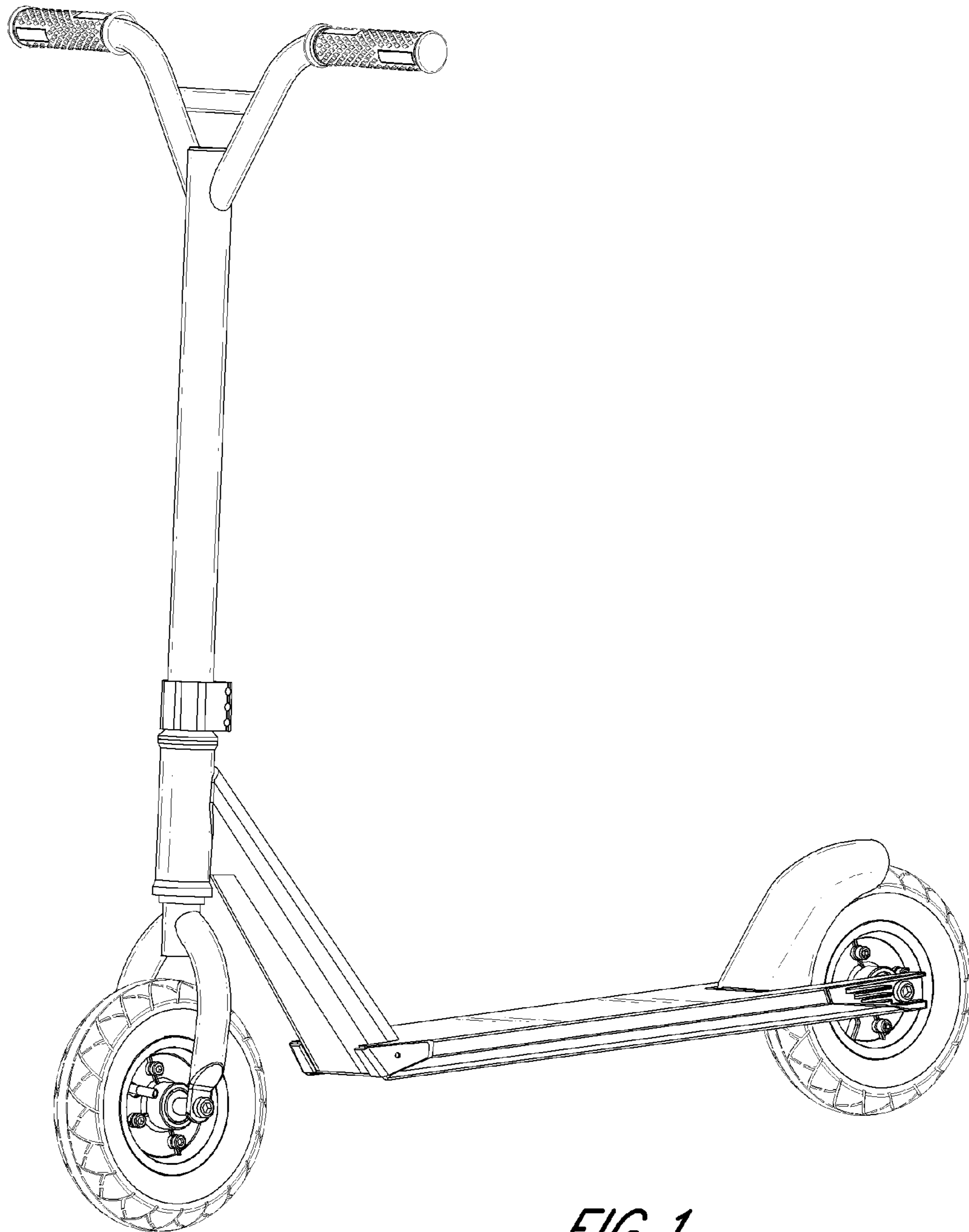


FIG. 1

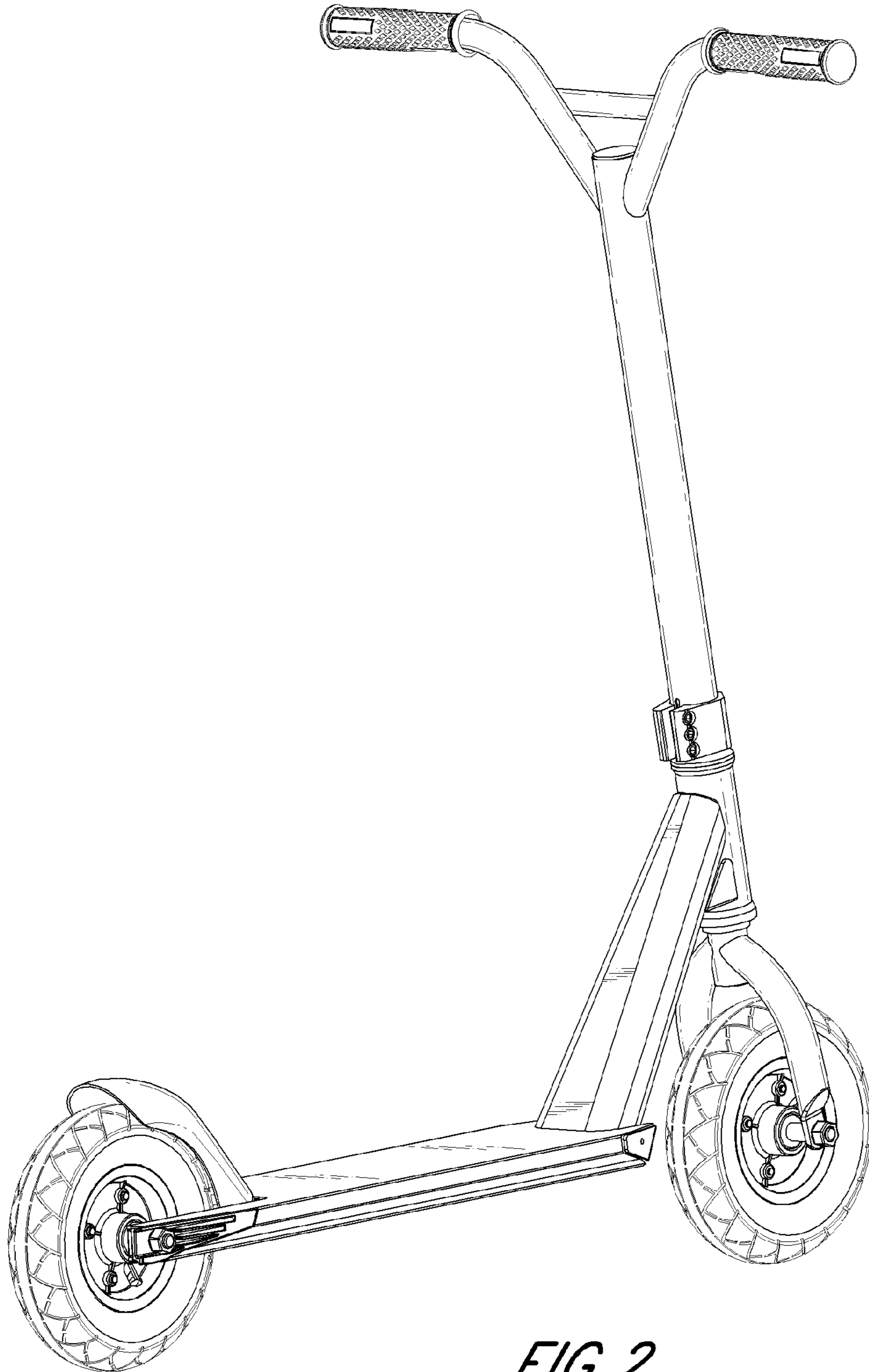


FIG. 2

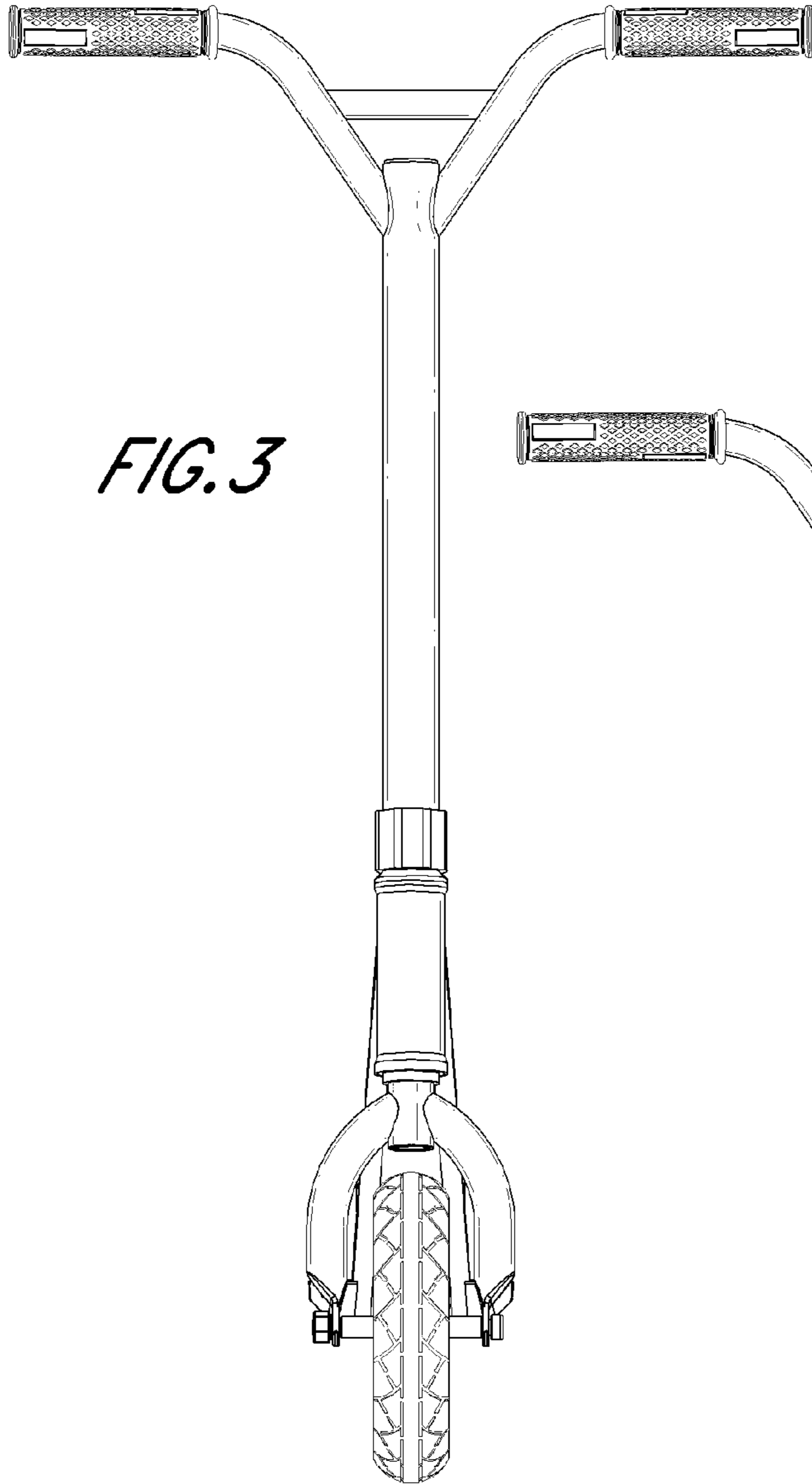


FIG. 3

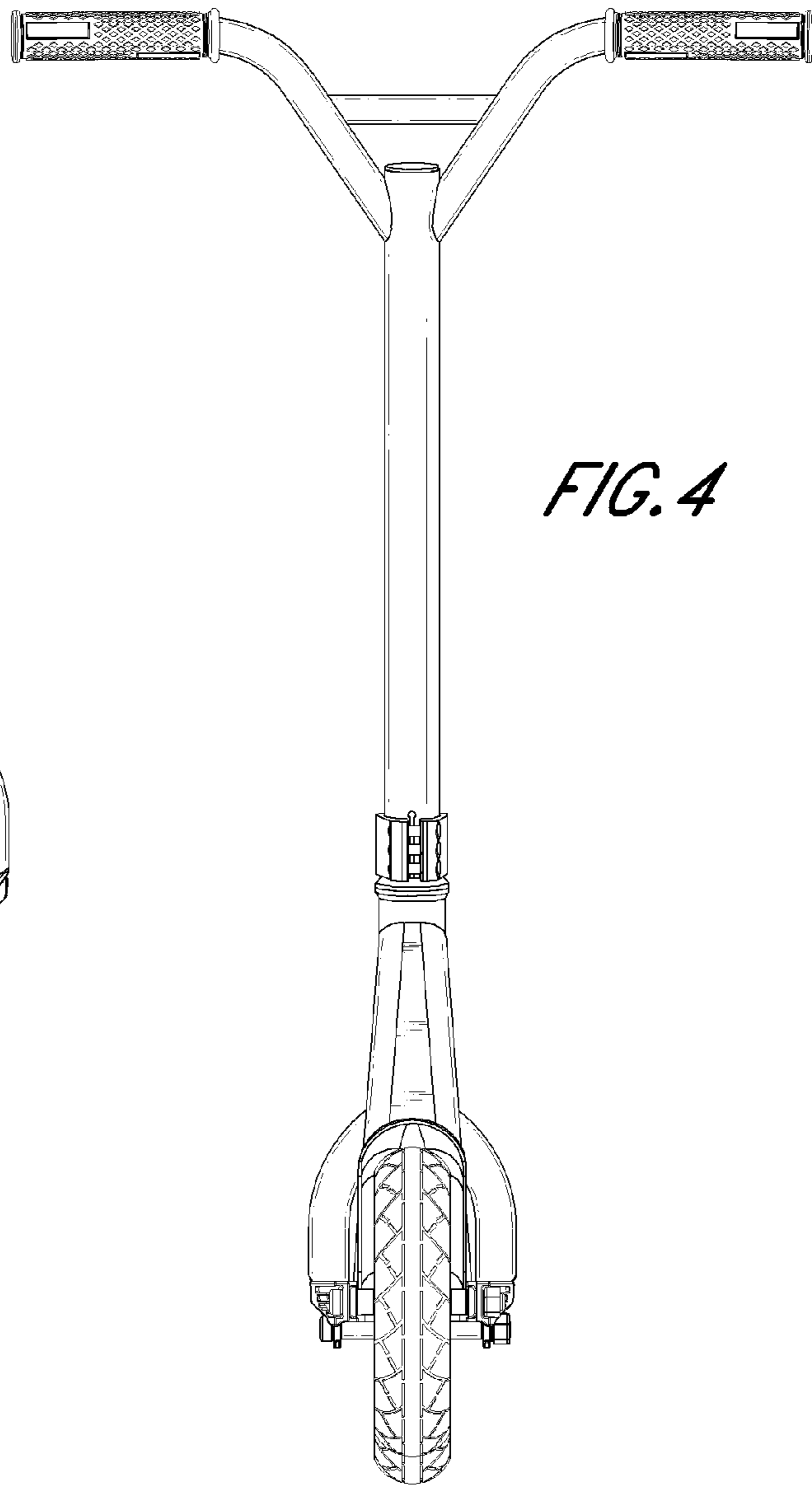
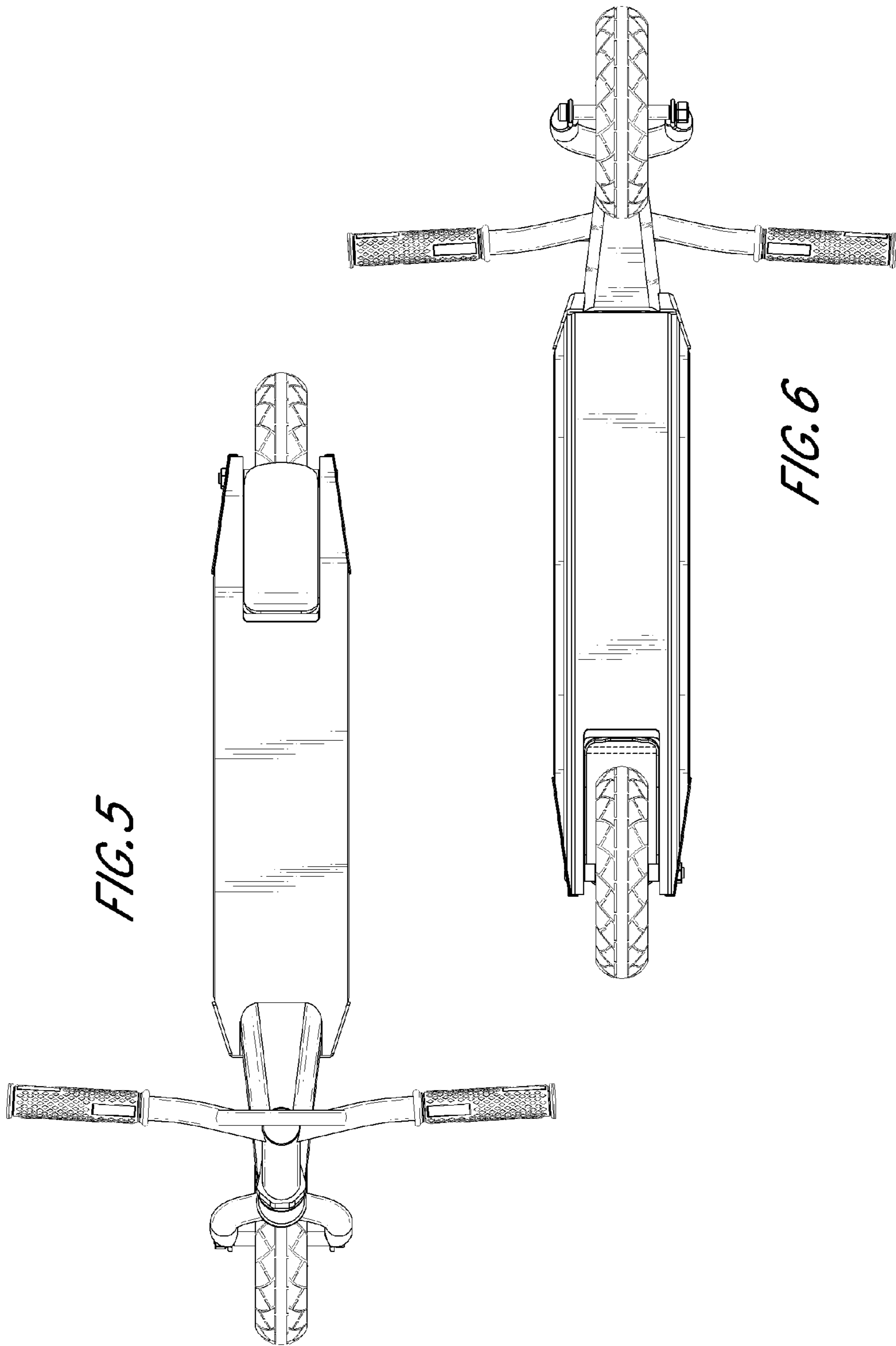


FIG. 4



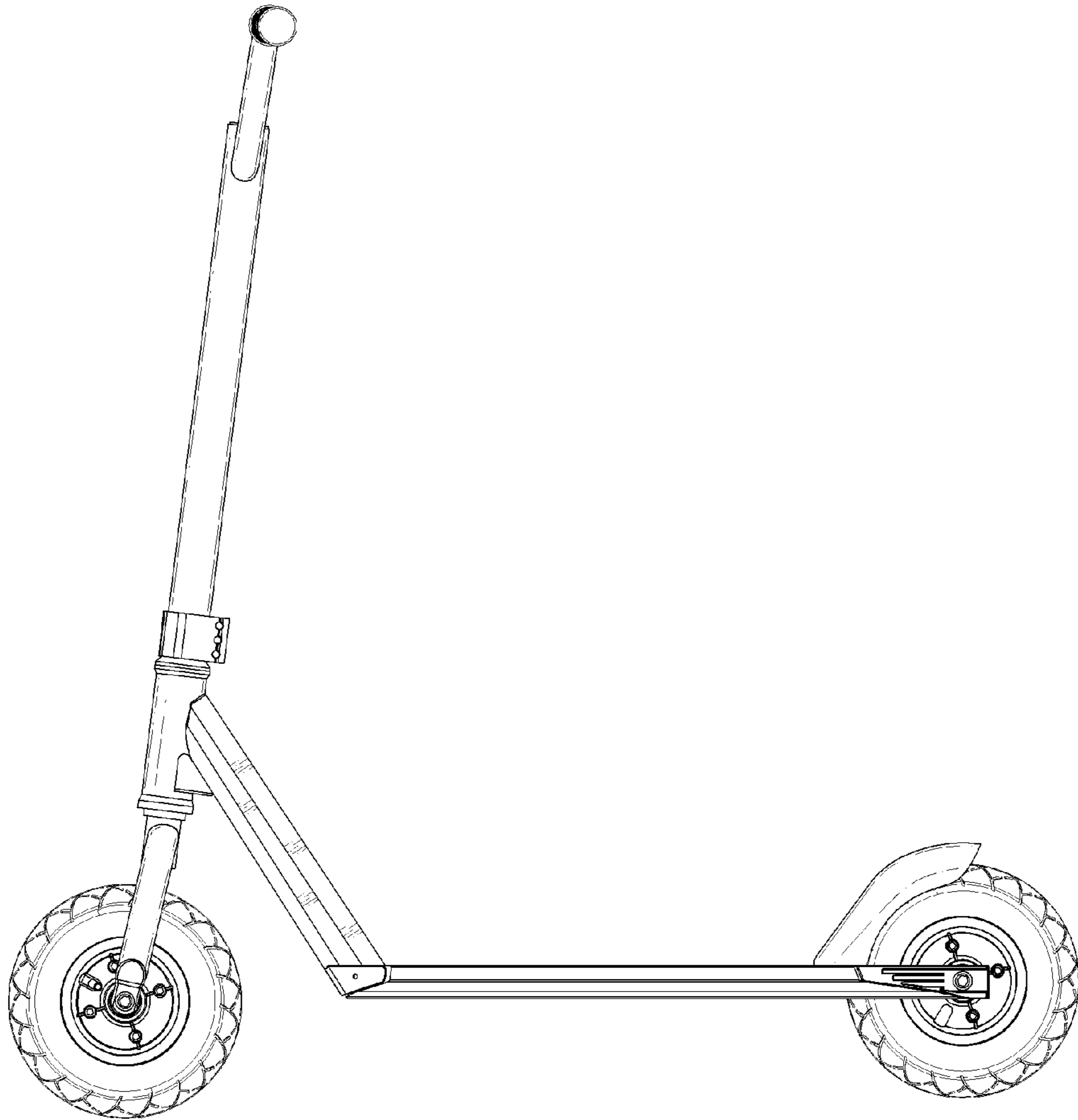


FIG. 7

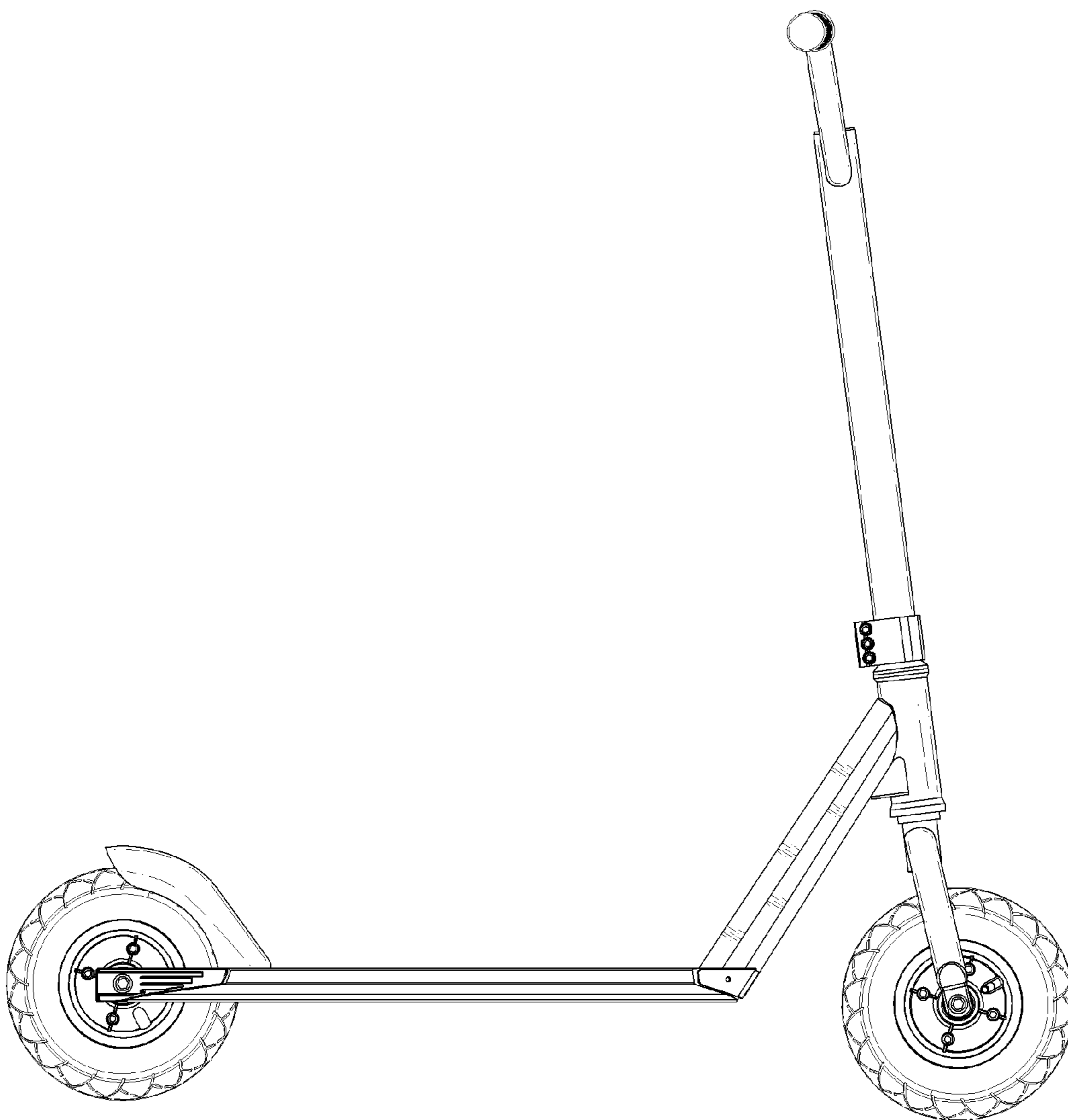


FIG. 8