



US00D692962S

(12) **United States Design Patent**
Williams

(10) **Patent No.:** **US D692,962 S**
(45) **Date of Patent:** **** Nov. 5, 2013**

(54) **HEAD FOR A DART**

(75) Inventor: **Kevin Williams**, Brooklyn, NY (US)

(73) Assignee: **Ogosport LLC**, Brooklyn, NY (US)

(**) Term: **14 Years**

(21) Appl. No.: **29/413,104**

(22) Filed: **Feb. 10, 2012**

(51) **LOC (9) Cl.** **21-01**

(52) **U.S. Cl.**
USPC **D21/387**

(58) **Field of Classification Search**
USPC D21/387, 437, 707, 711; 473/572, 578;
237/348.2
See application file for complete search history.

(56) **References Cited**

U.S. PATENT DOCUMENTS

3,032,345 A * 5/1962 Lemelson 273/348.4
8,123,637 B1 * 2/2012 Demko et al. 473/578

D661,031 S * 5/2012 Christianson D30/160
8,348,789 B1 * 1/2013 Walterscheid 473/578
2010/0216579 A1 * 8/2010 Williams 473/613

* cited by examiner

Primary Examiner — George D Kirschbaum

(74) *Attorney, Agent, or Firm* — Kane Kessler, P.C.; Barry E. Negrin; Paul E. Szabo

(57) **CLAIM**

The ornamental design for a head for a dart, as shown.

DESCRIPTION

FIG. 1 is a perspective view of a head for a dart, showing my new design, illustrated in a condition assembled on a wing portion of a dart;

FIG. 2 is a top plan view of the dart of FIG. 1;

FIG. 3 is a left side elevational view of the dart of FIG. 1;

FIG. 4 is a bottom plan view of the dart of FIG. 1;

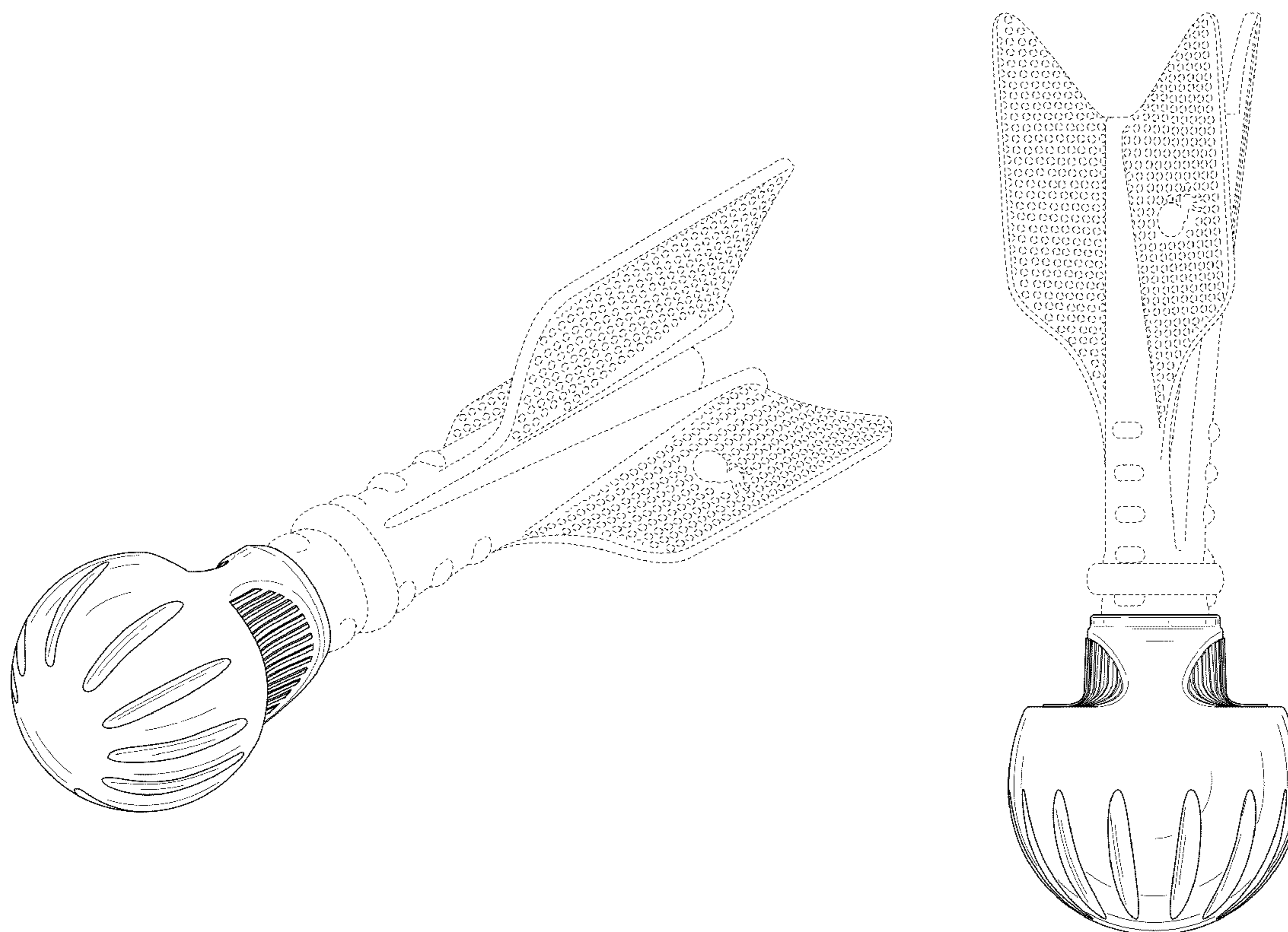
FIG. 5 is a right side elevational view of the dart of FIG. 1;

FIG. 6 is a front elevational view of the dart of FIG. 1; and,

FIG. 7 is a rear elevational view of the dart of FIG. 1.

The portions of the drawings that are shown in dashed lines are environment and are not part of the claimed design.

1 Claim, 6 Drawing Sheets



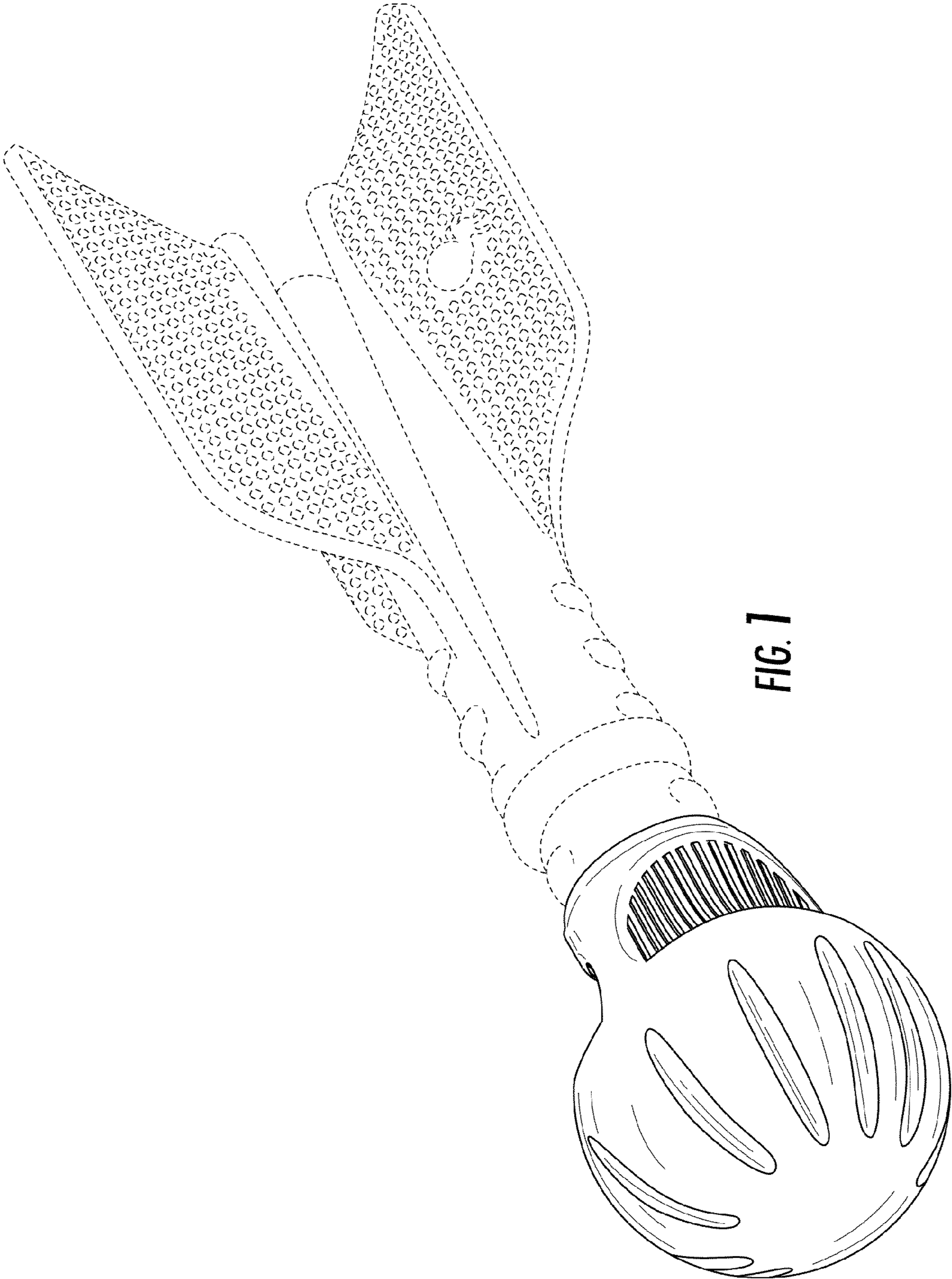


FIG. 1

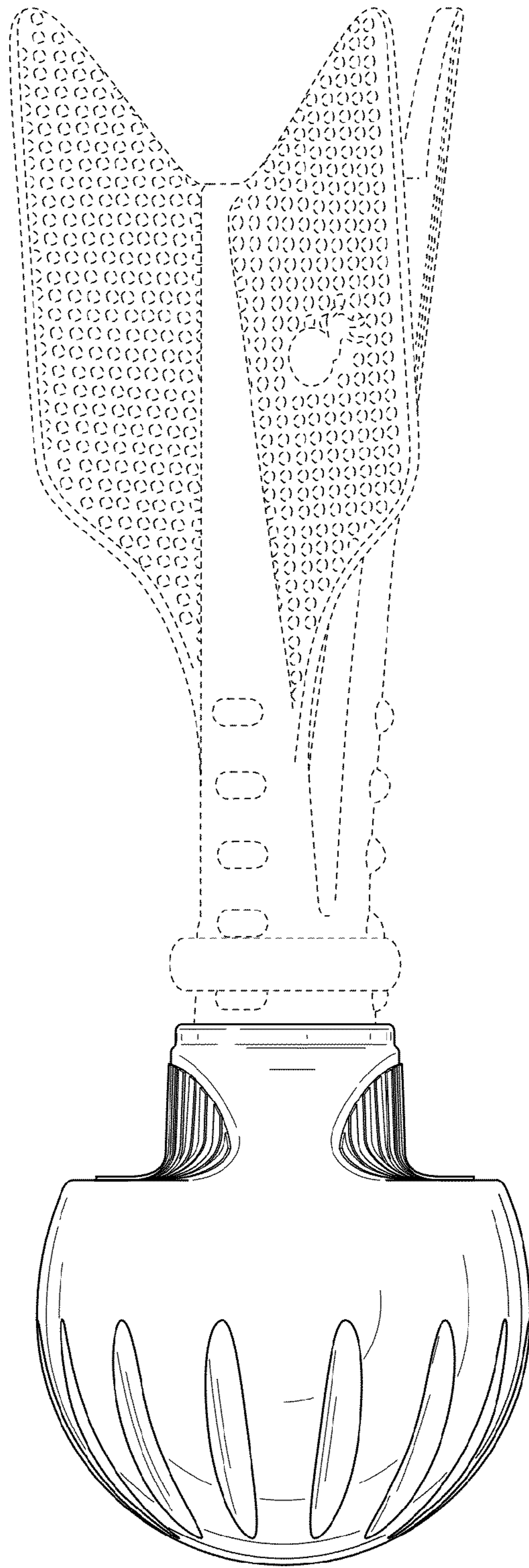


FIG. 2

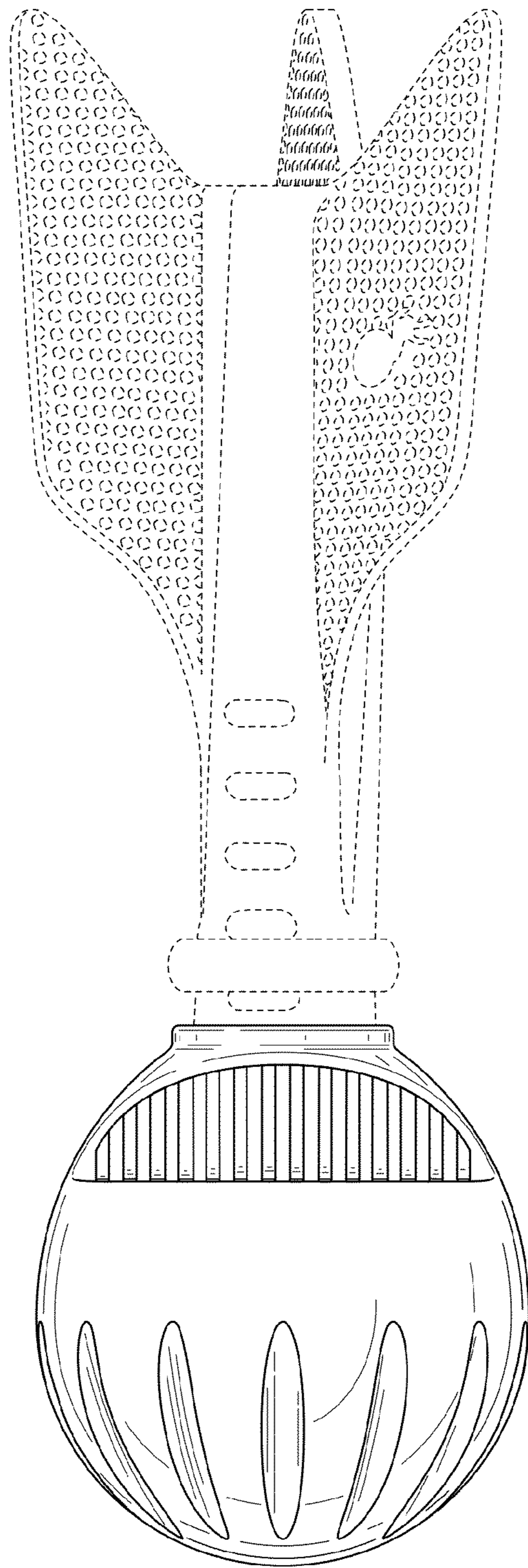


FIG. 3

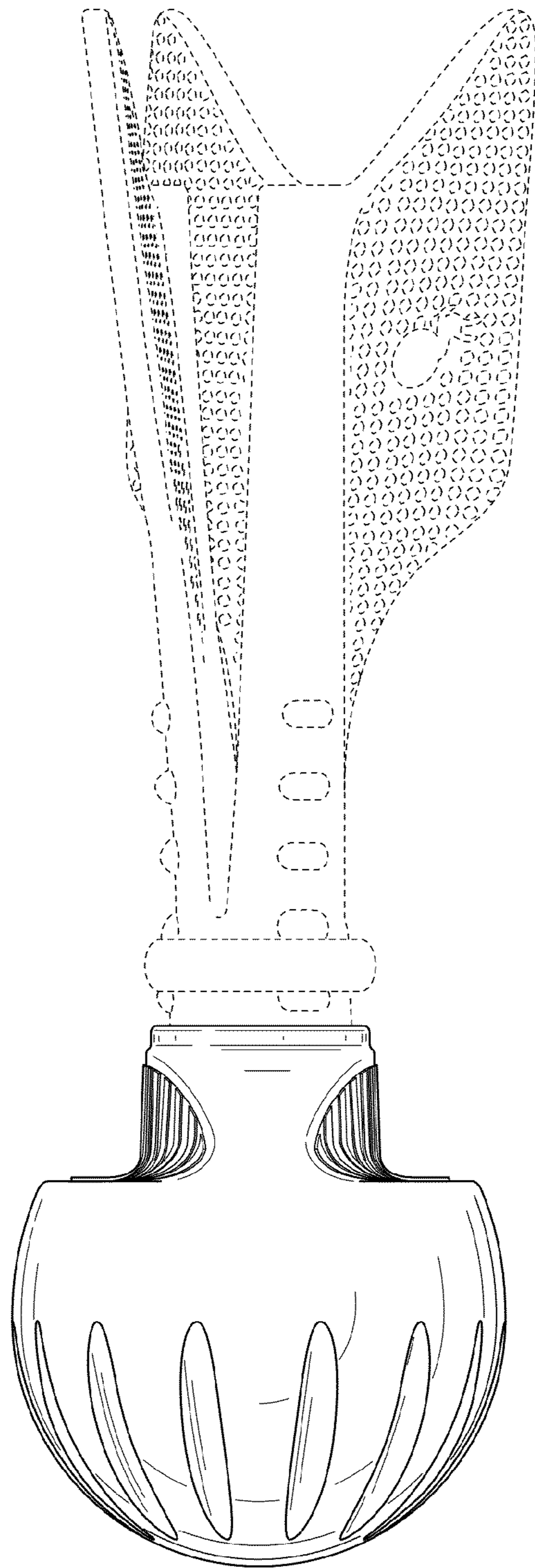


FIG. 4

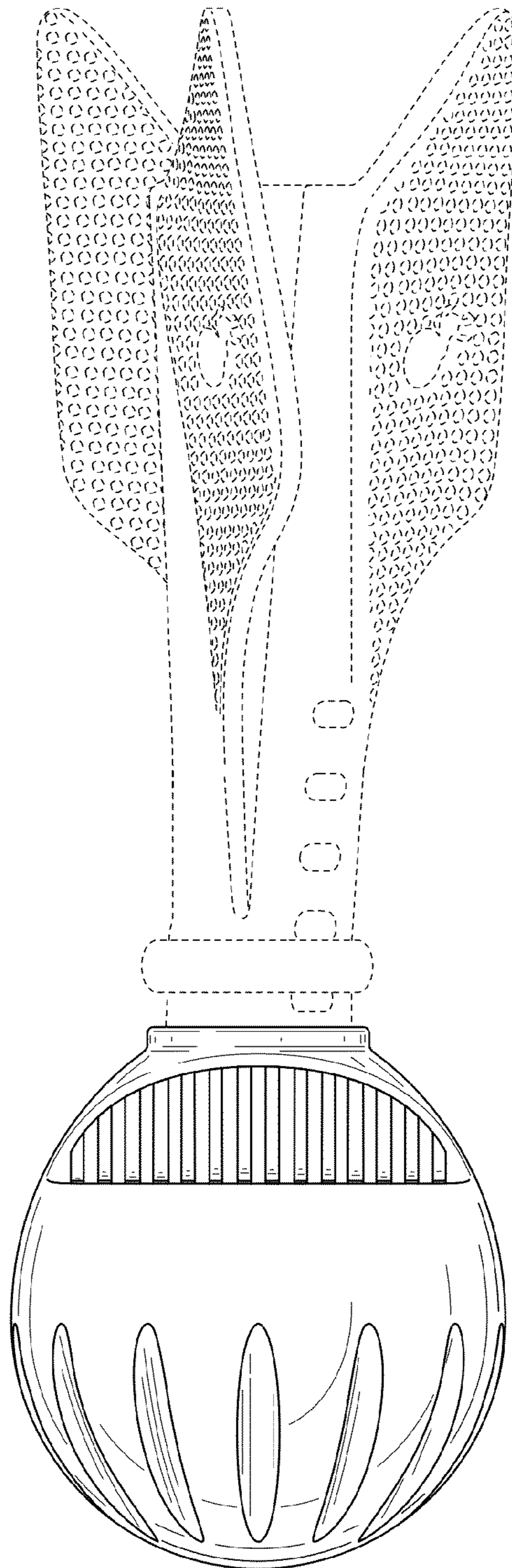


FIG. 5

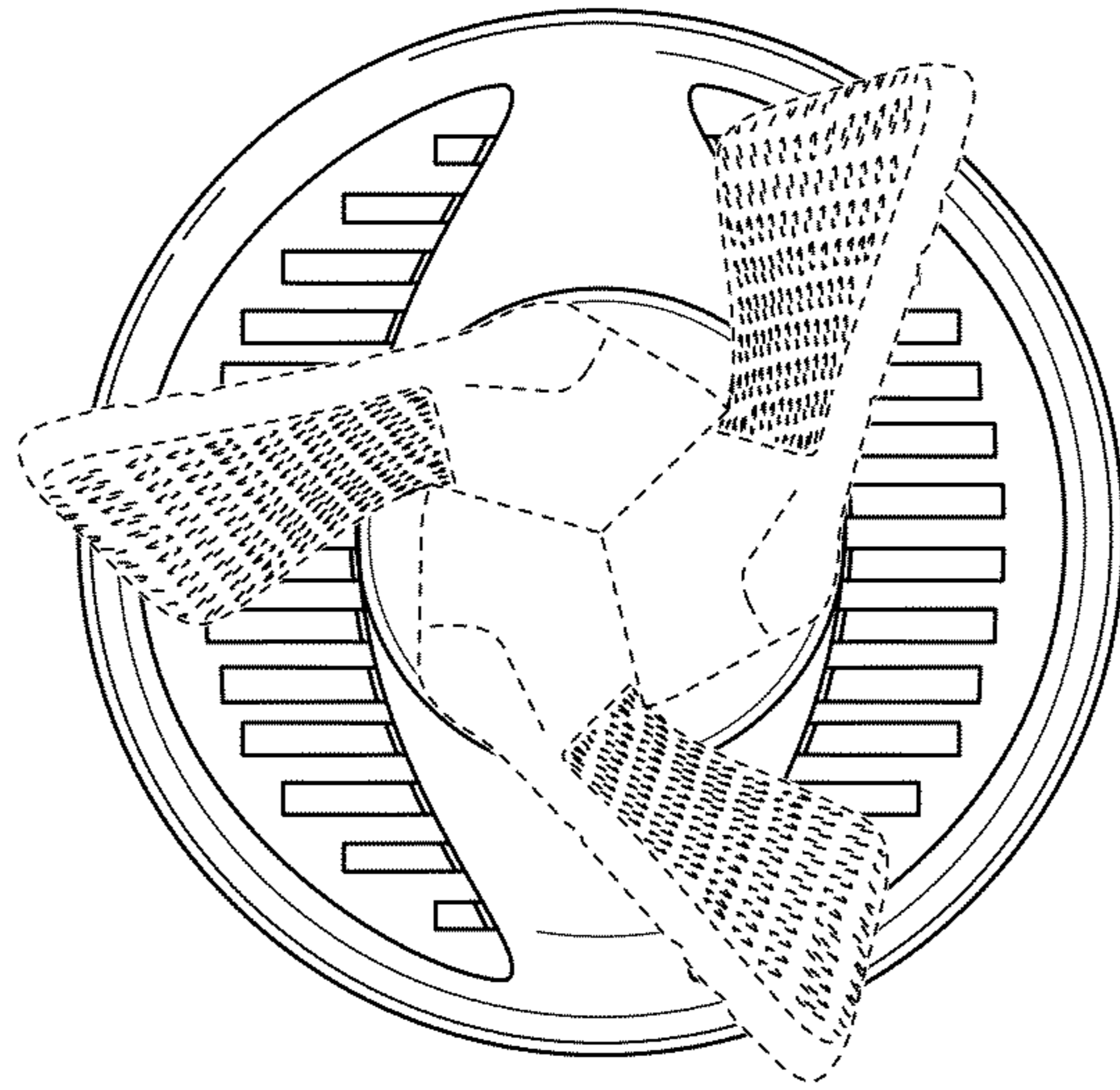


FIG. 6

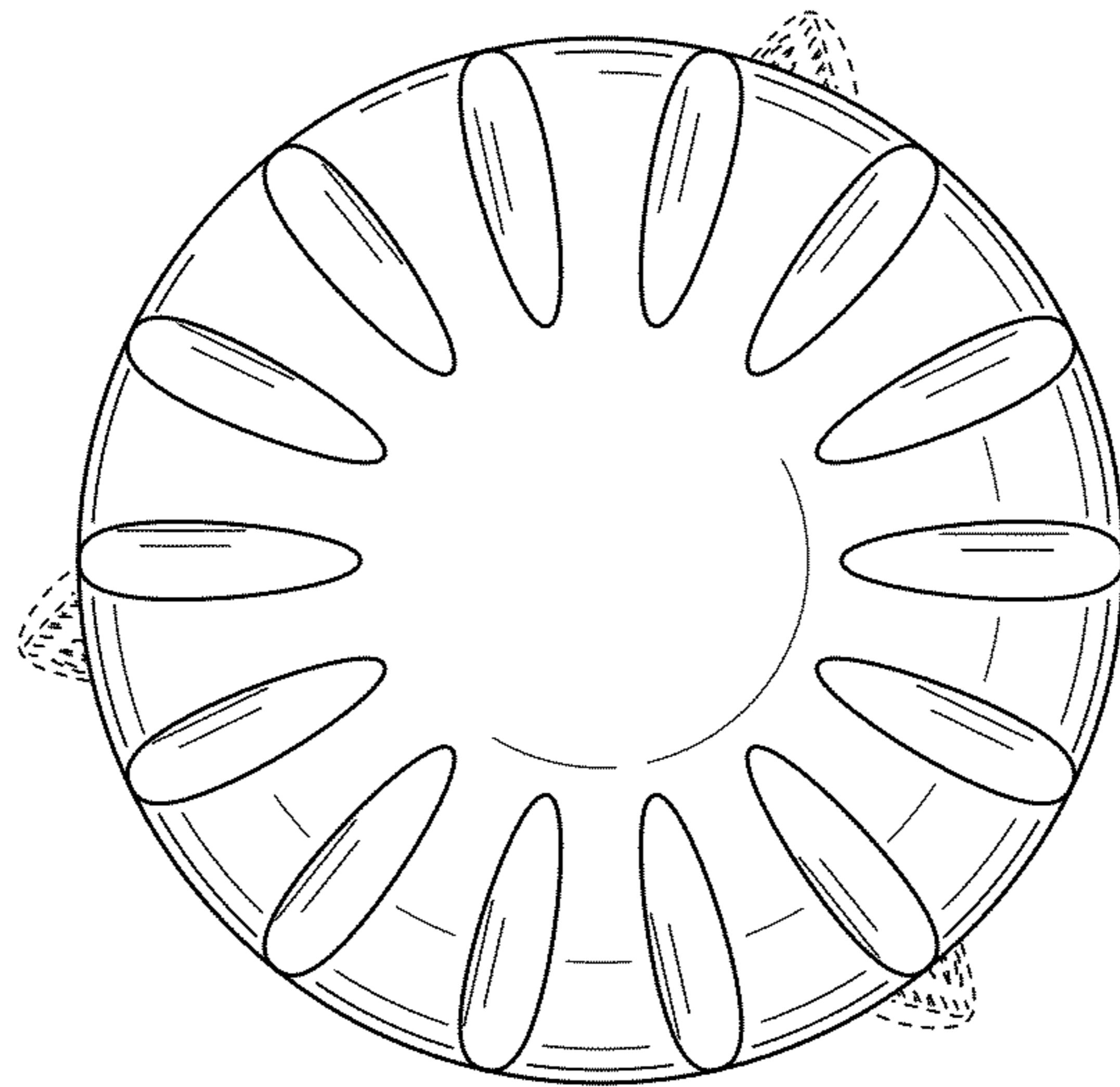


FIG. 7