

US00D692961S

(12) **United States Design Patent**
Moiseyev

(10) **Patent No.:** **US D692,961 S**
(45) **Date of Patent:** **** Nov. 5, 2013**

- (54) **TOY FOOTBALL GOAL POST**
- (76) Inventor: **Allan Moiseyev**, North Miami Beach, FL (US)
- (**) Term: **14 Years**
- (21) Appl. No.: **29/429,939**
- (22) Filed: **Aug. 20, 2012**
- (51) **LOC (9) Cl.** **21-01**
- (52) **U.S. Cl.**
USPC **D21/386**
- (58) **Field of Classification Search**
USPC D21/376–384, 490, 502; 273/236–287, 273/288–291
See application file for complete search history.

- D562,912 S * 2/2008 Myers D21/385
- D576,685 S 9/2008 Queally
- D583,807 S 12/2008 O'Con
- D609,280 S * 2/2010 Lessard D21/385
- D618,731 S * 6/2010 Fedorski D20/29
- D619,569 S 7/2010 Honchell
- D650,452 S 12/2011 Schwarz
- D654,115 S 2/2012 O'Con
- 2011/0266744 A1* 11/2011 Martinez et al. 273/126 R

OTHER PUBLICATIONS

<http://www.officeplayground.com/Solar-Power-Motion-Toys-C77.aspx>.
<http://www.officeplayground.com/More-Sports-C315.aspx>.

* cited by examiner

Primary Examiner — George D Kirschbaum
(74) *Attorney, Agent, or Firm* — Jacqueline Tadras

(56) **References Cited**
U.S. PATENT DOCUMENTS

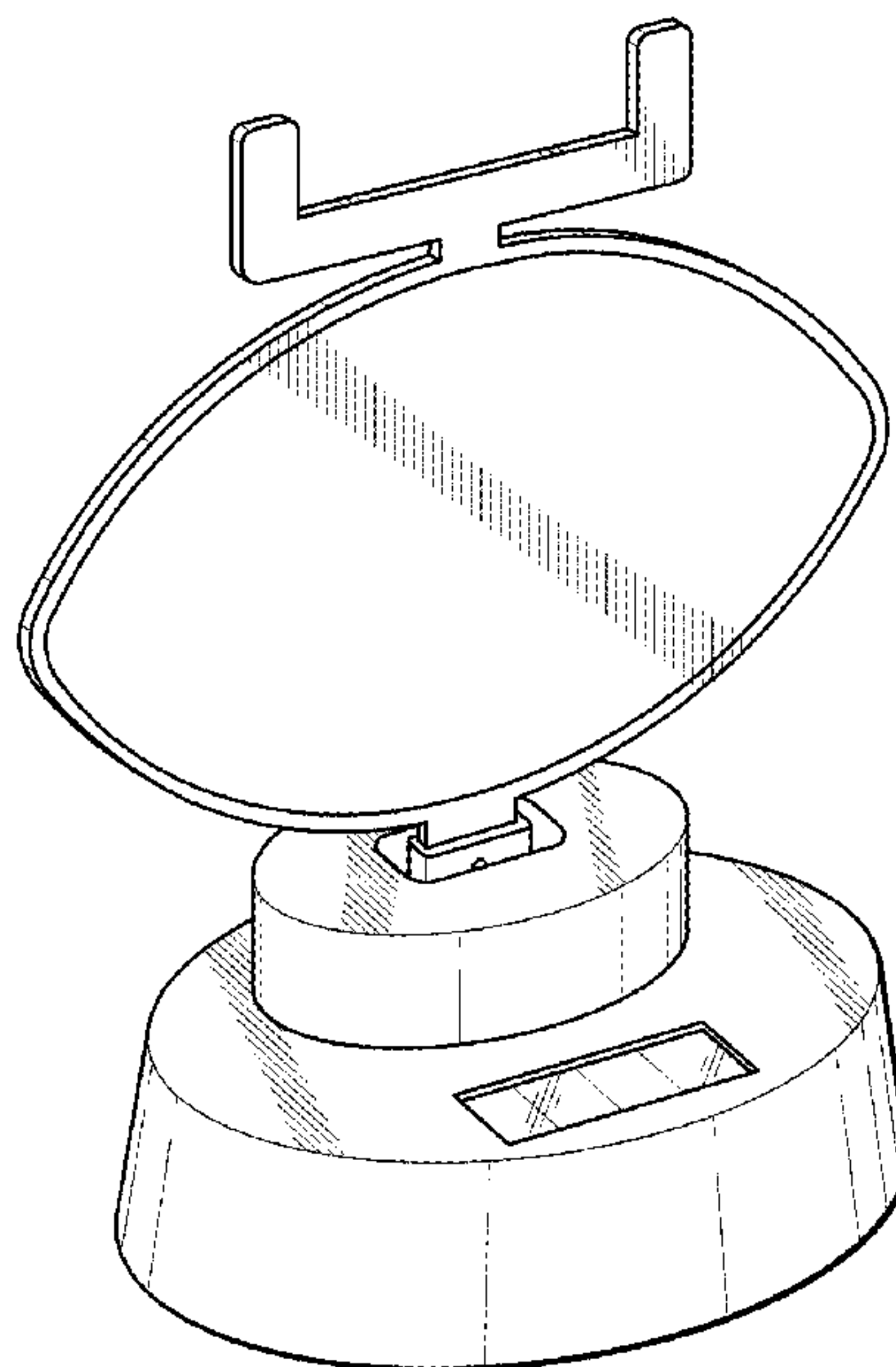
- 4,717,150 A 1/1988 Pribnow
- 4,927,145 A * 5/1990 Davis 273/317.5
- D320,637 S 10/1991 Fish, Jr. et al.
- D321,846 S 11/1991 Nys
- D324,554 S * 3/1992 McKinney D21/699
- D335,906 S 5/1993 Hellerman
- D341,730 S 11/1993 Sampson et al.
- D344,394 S 2/1994 Livera et al.
- D355,460 S 2/1995 Routzong et al.
- D360,667 S 7/1995 Liu
- D363,613 S 10/1995 Ehrmann
- 5,546,707 A * 8/1996 Caruso 52/2.13
- D385,001 S 10/1997 Blumenthal
- D390,292 S 2/1998 Hoag
- D410,713 S 6/1999 Sherwood et al.
- 6,070,879 A 6/2000 Kemp
- D433,471 S 11/2000 Hsu et al.
- D440,613 S 4/2001 Davis et al.
- D531,685 S 11/2006 Frankel
- D546,617 S 7/2007 Griffard

(57) **CLAIM**
The ornamental design for a toy football goal post, as shown and described.

DESCRIPTION

FIG. 1 is a front perspective view of the toy football goal post of the present invention;
FIG. 2 is a front view of the toy football goal post of the present invention;
FIG. 3 is a rear view of the toy football goal post of the present invention;
FIG. 4 is a side view of the toy football goal post of the present invention;
FIG. 5 is a top view of the toy football goal post of the present invention; and,
FIG. 6 is a bottom view of the toy football goal post of the present invention.

1 Claim, 5 Drawing Sheets



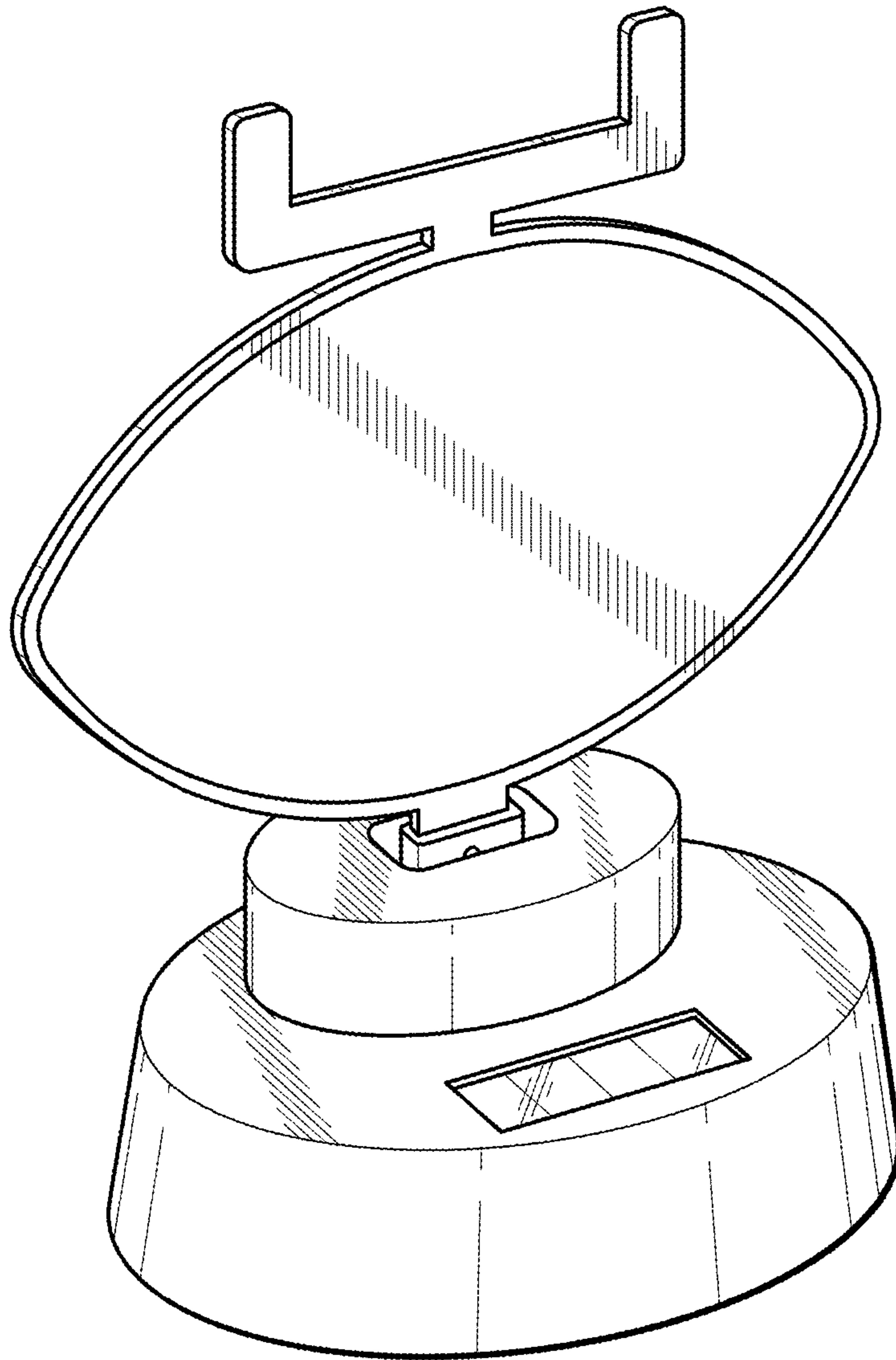


FIG. 1

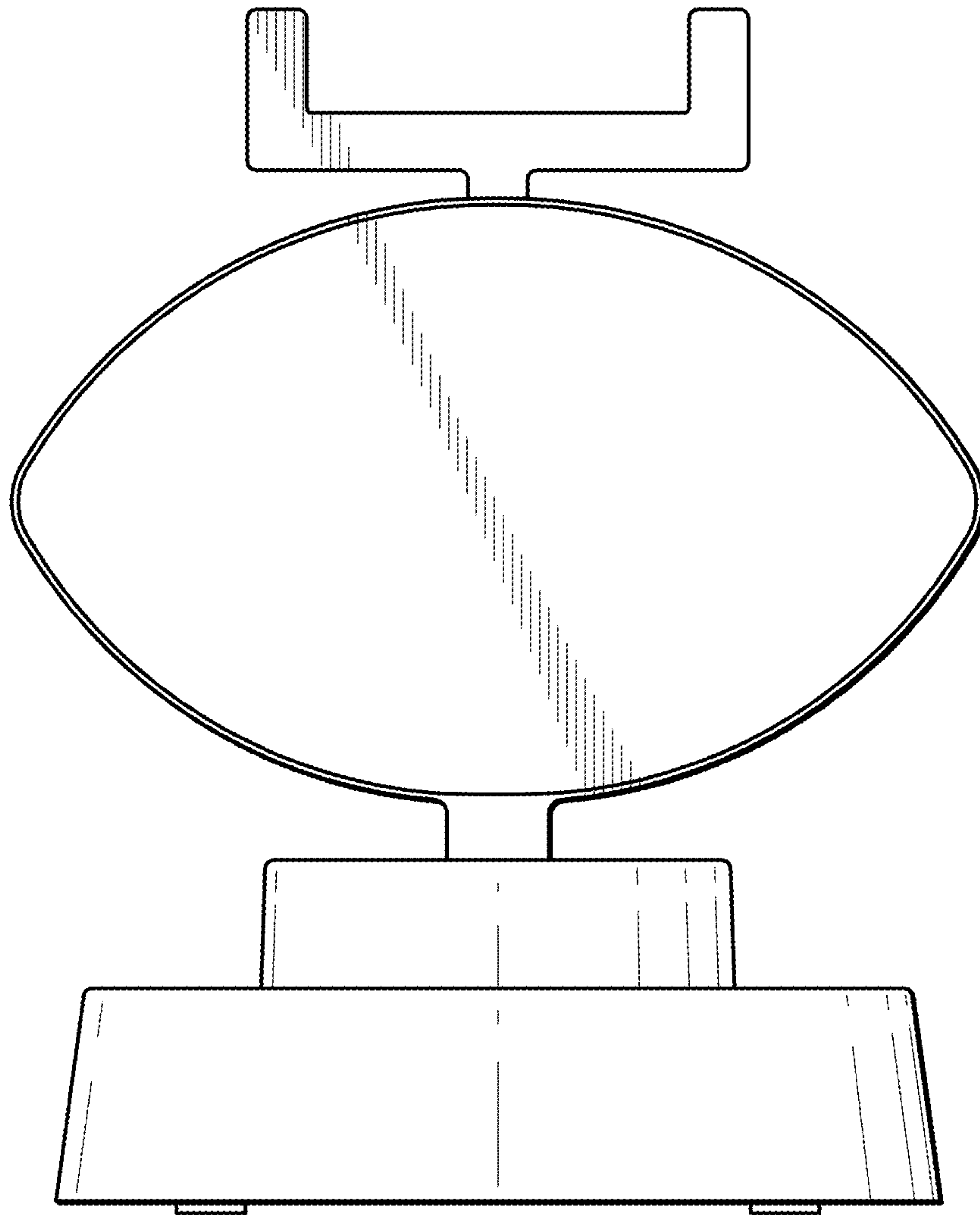


FIG. 2

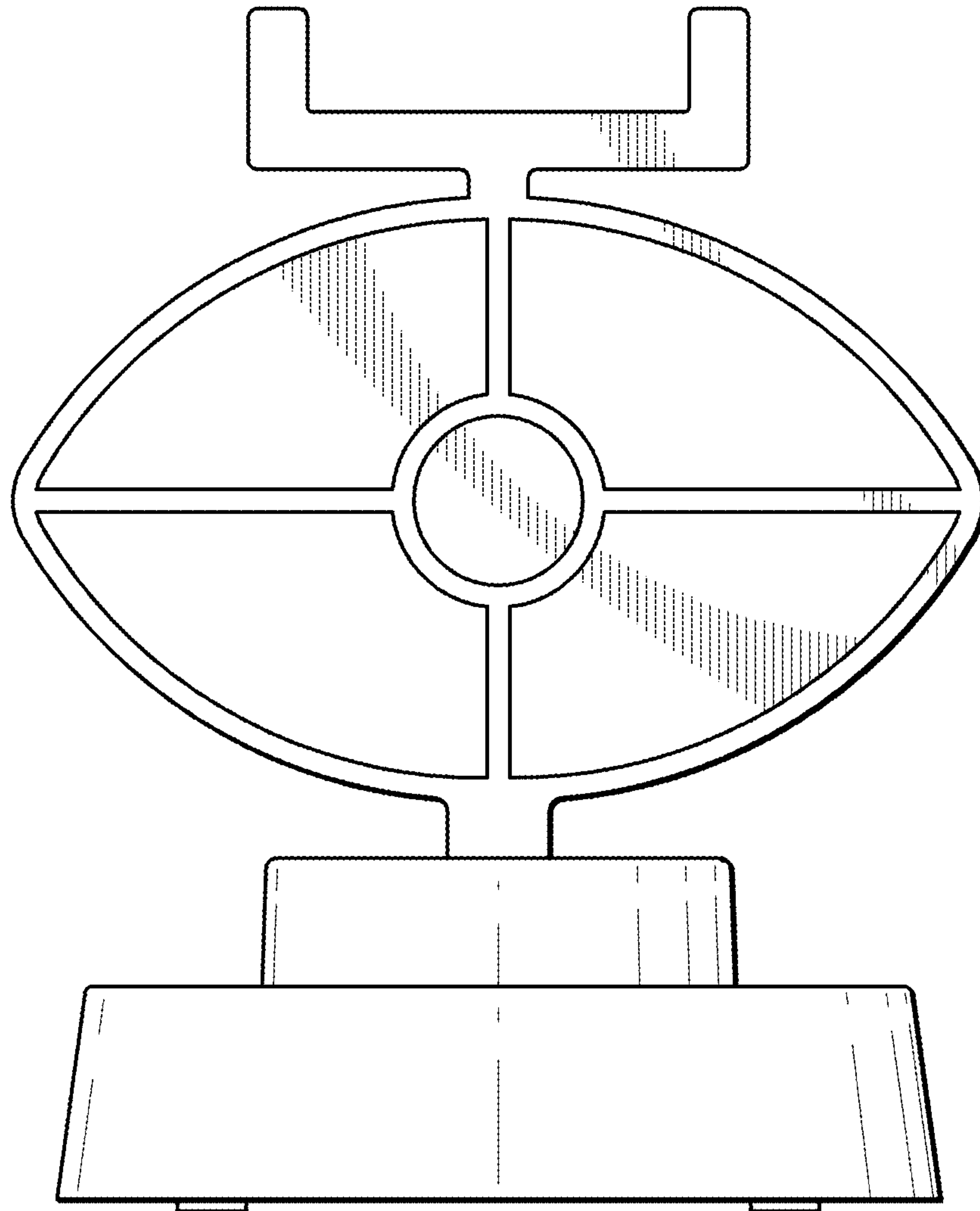


FIG. 3

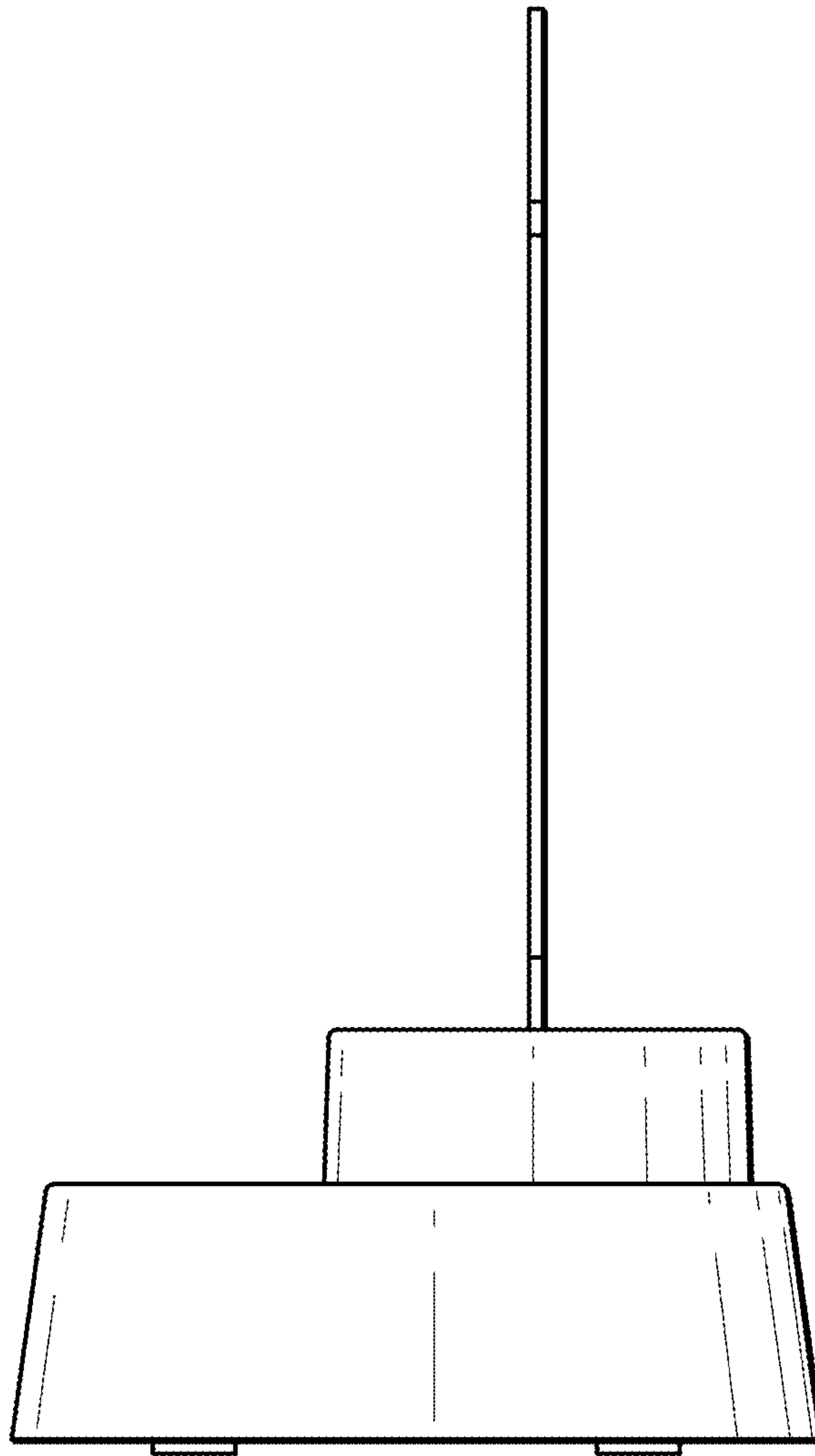


FIG. 4

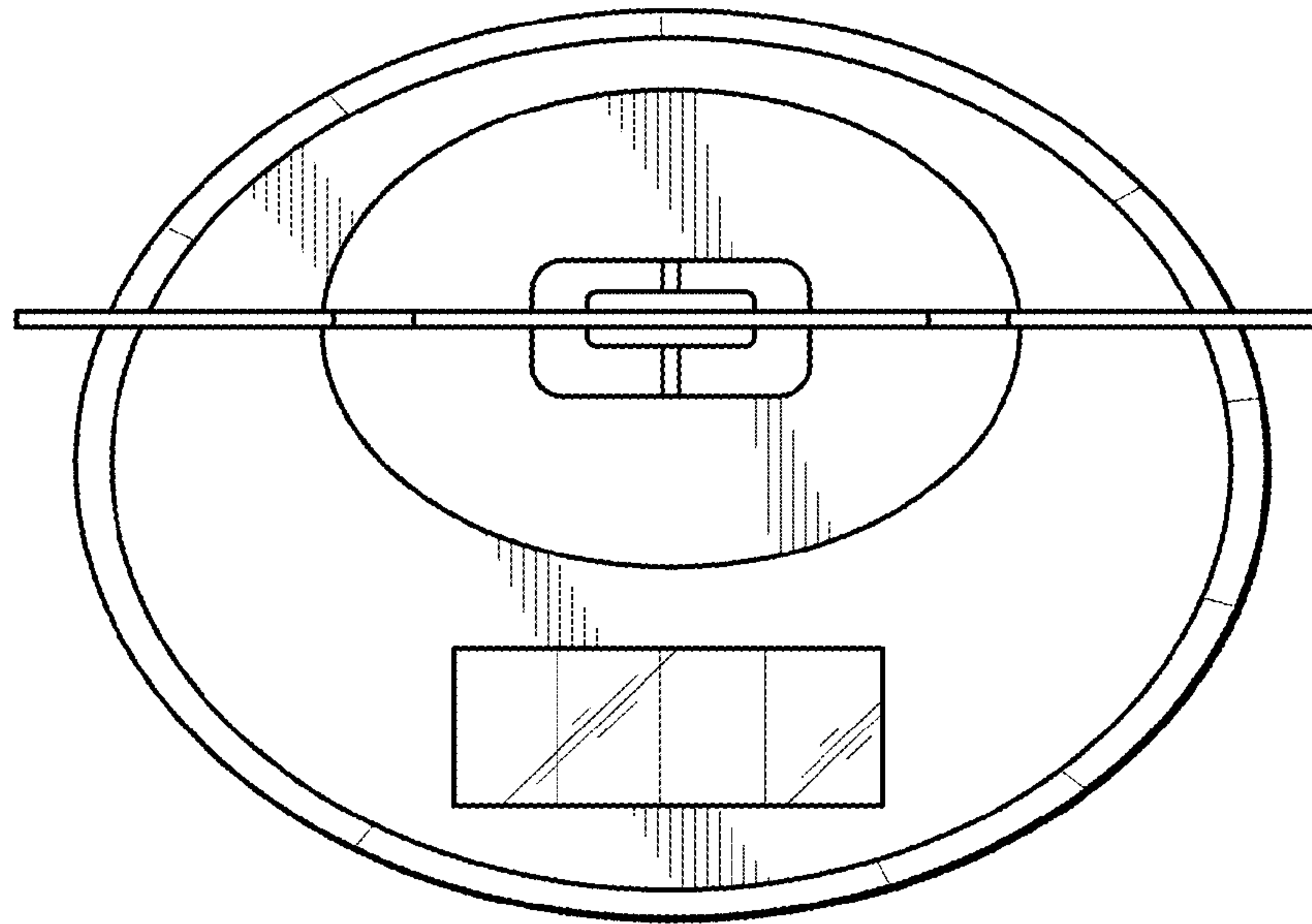


FIG. 5

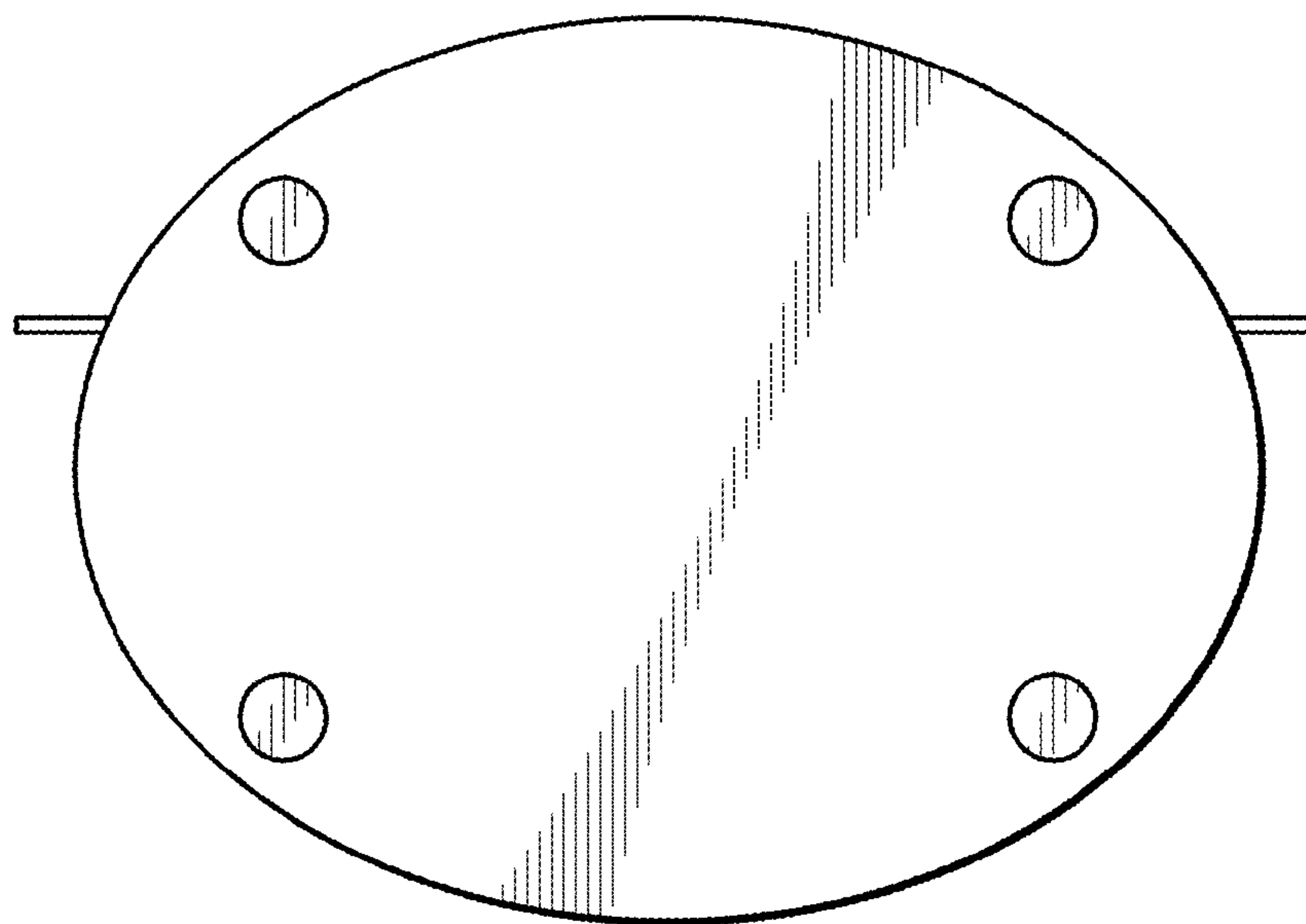


FIG. 6