

US00D692960S

(12) **United States Design Patent**
Robins et al.

(10) **Patent No.:** **US D692,960 S**
(45) **Date of Patent:** **** Nov. 5, 2013**

(54) **TOY PROJECTILE**

(75) Inventors: **Canyon Robins**, McKinleyville, CA
(US); **Duncan Robins**, McKinleyville,
CA (US)

(73) Assignee: **Slotter, LLC**, McKinleyville, CA (US)

(**) Term: **14 Years**

(21) Appl. No.: **29/420,362**

(22) Filed: **May 8, 2012**

(51) **LOC (9) Cl.** **21-01**

(52) **U.S. Cl.**
USPC **D21/386**

(58) **Field of Classification Search**
USPC D21/307–208, 334–368, 376–397;
273/236–287, 288–291; D8/395, 384,
D8/349, 382, 354

See application file for complete search history.

(56) **References Cited**

U.S. PATENT DOCUMENTS

D573,012 S *	7/2008	Godwin et al.	D8/395
D635,007 S *	3/2011	Takahara et al.	D8/349
D668,562 S *	10/2012	Madrack	D10/65
D684,033 S *	6/2013	Preda	D8/354

* cited by examiner

Primary Examiner — George D Kirschbaum
(74) *Attorney, Agent, or Firm* — Kolisch Hartwell, P.C.

(57) **CLAIM**

We claim the ornamental design for a toy projectile, as shown and described.

DESCRIPTION

FIG. 1 is a bottom view of the projectile.
FIG. 2 is a top view of the projectile shown in FIG. 1.
FIG. 3 is a perspective view of the projectile shown in FIG. 1.
FIG. 4 is a side view of the projectile shown in FIG. 1.
FIG. 5 is a front view of the projectile shown in FIG. 1; and,
FIG. 6 is an end view of the projectile shown in FIG. 1.

1 Claim, 1 Drawing Sheet

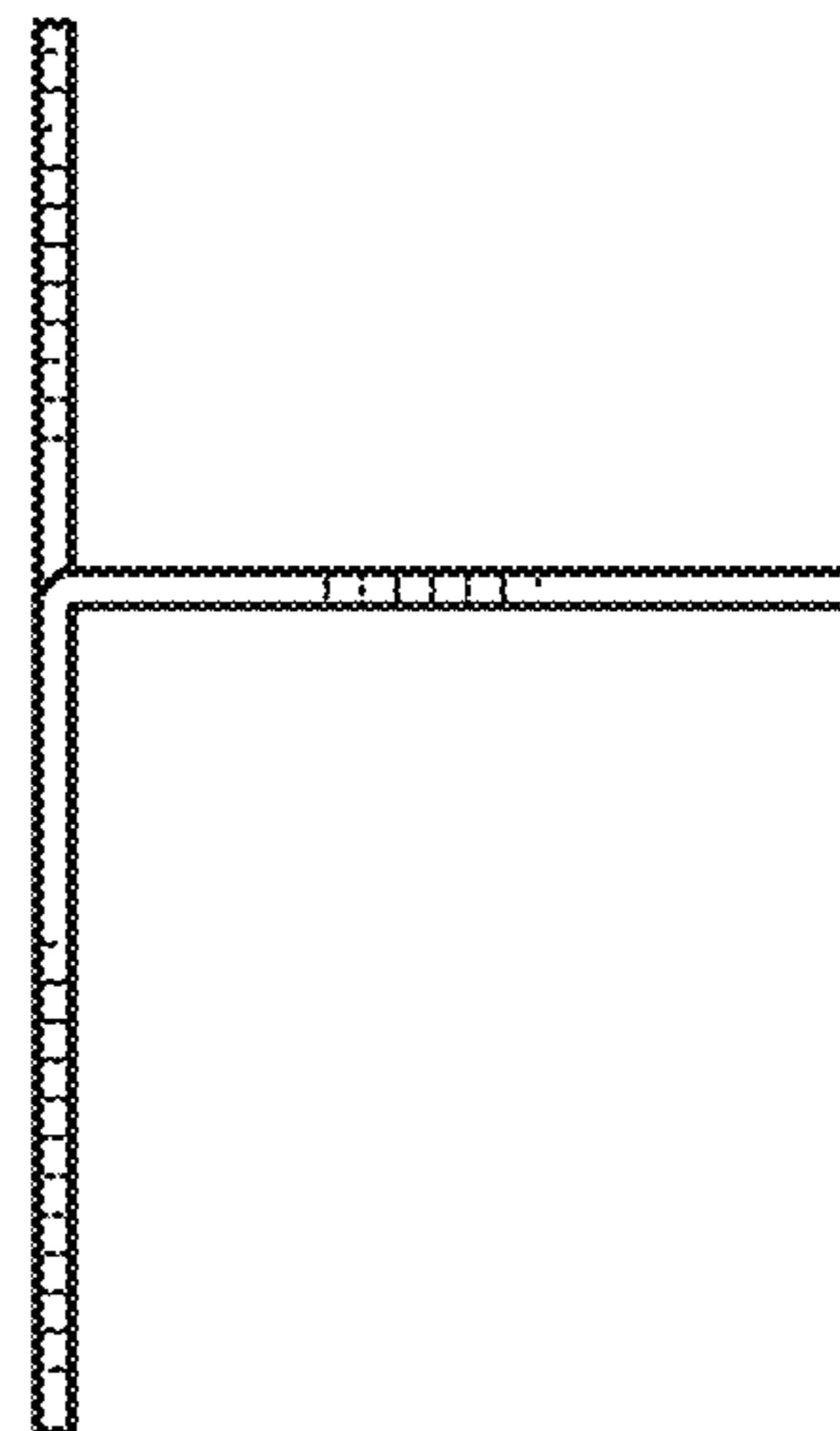
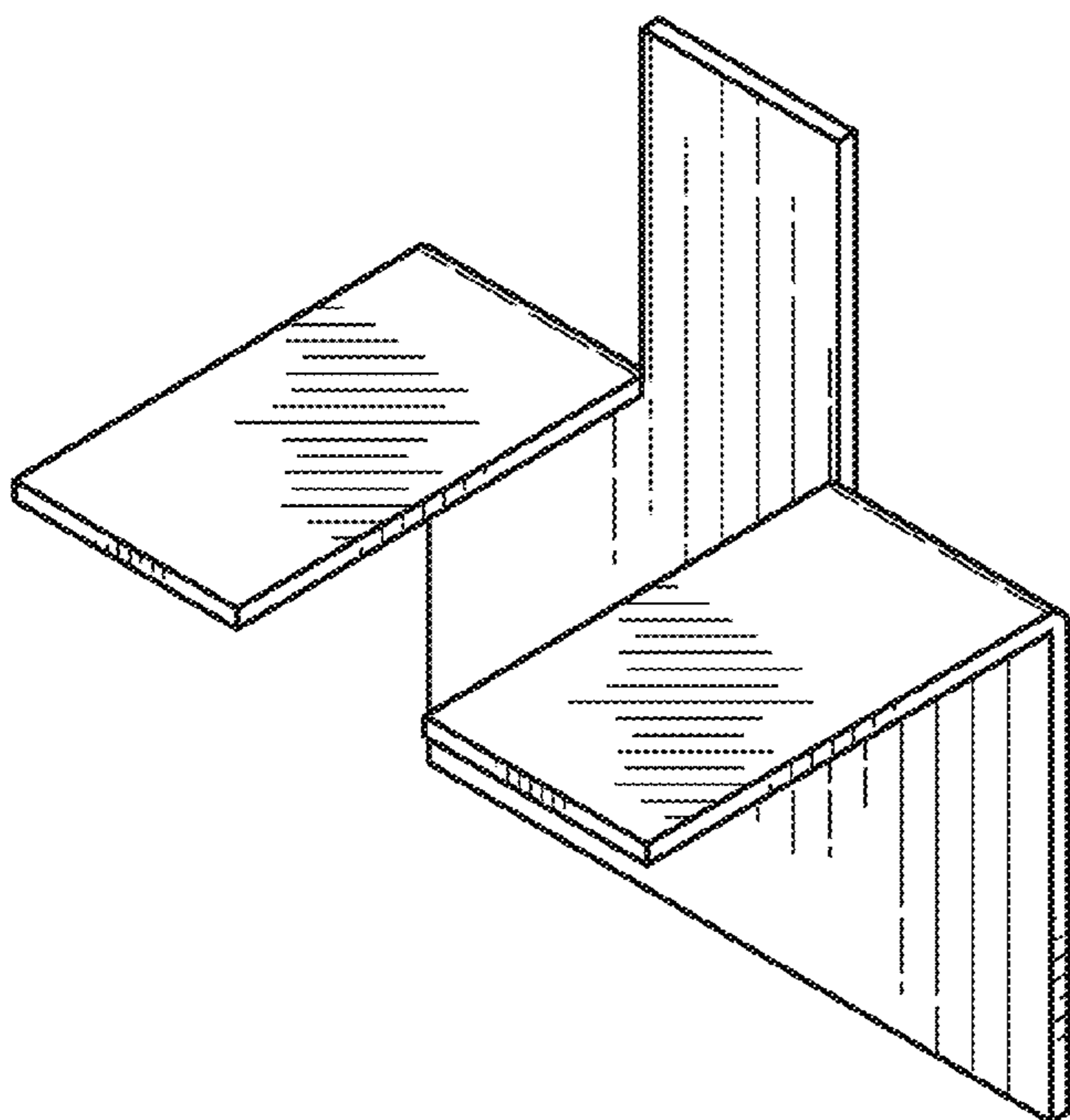


Fig. 1

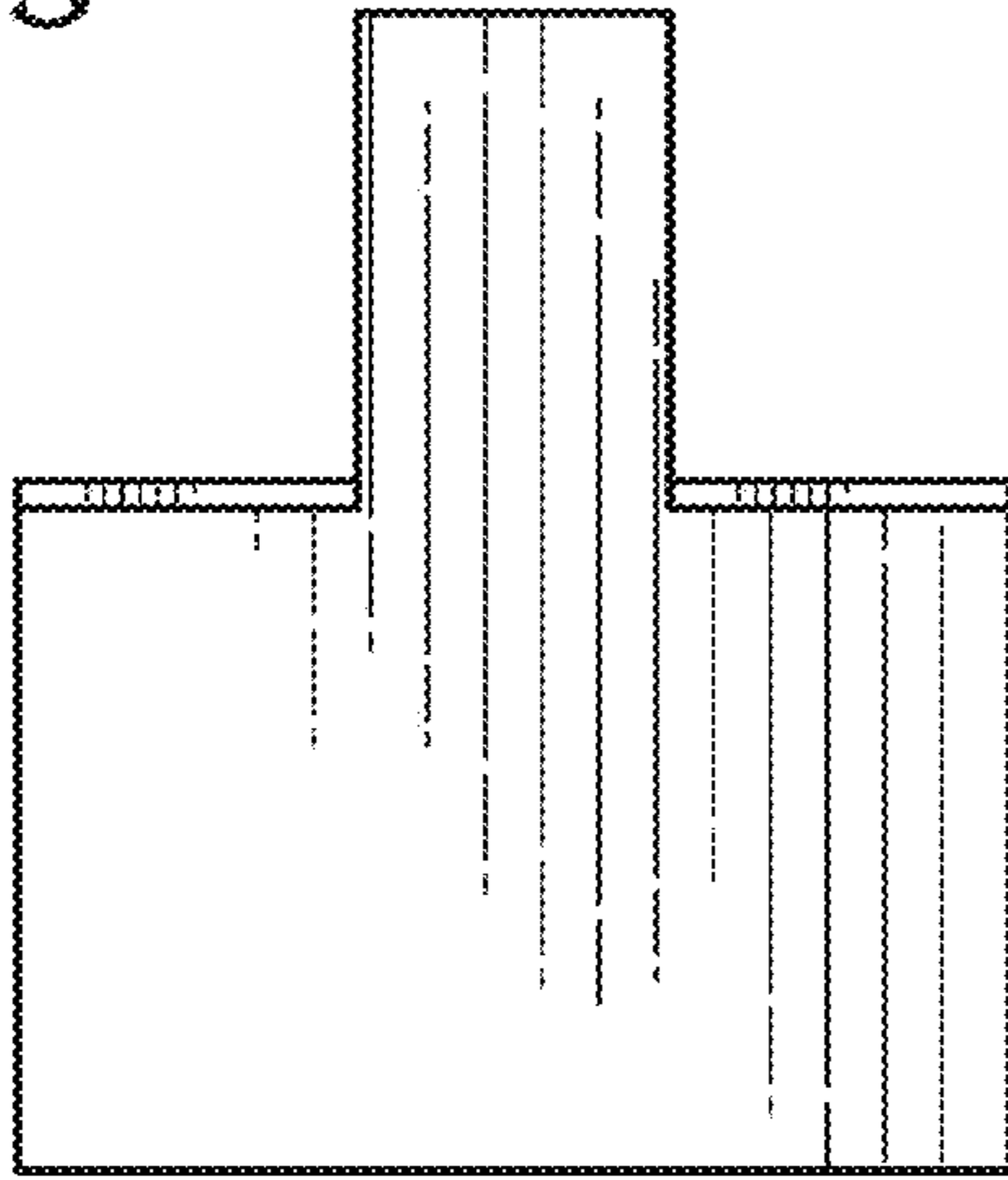


Fig. 2

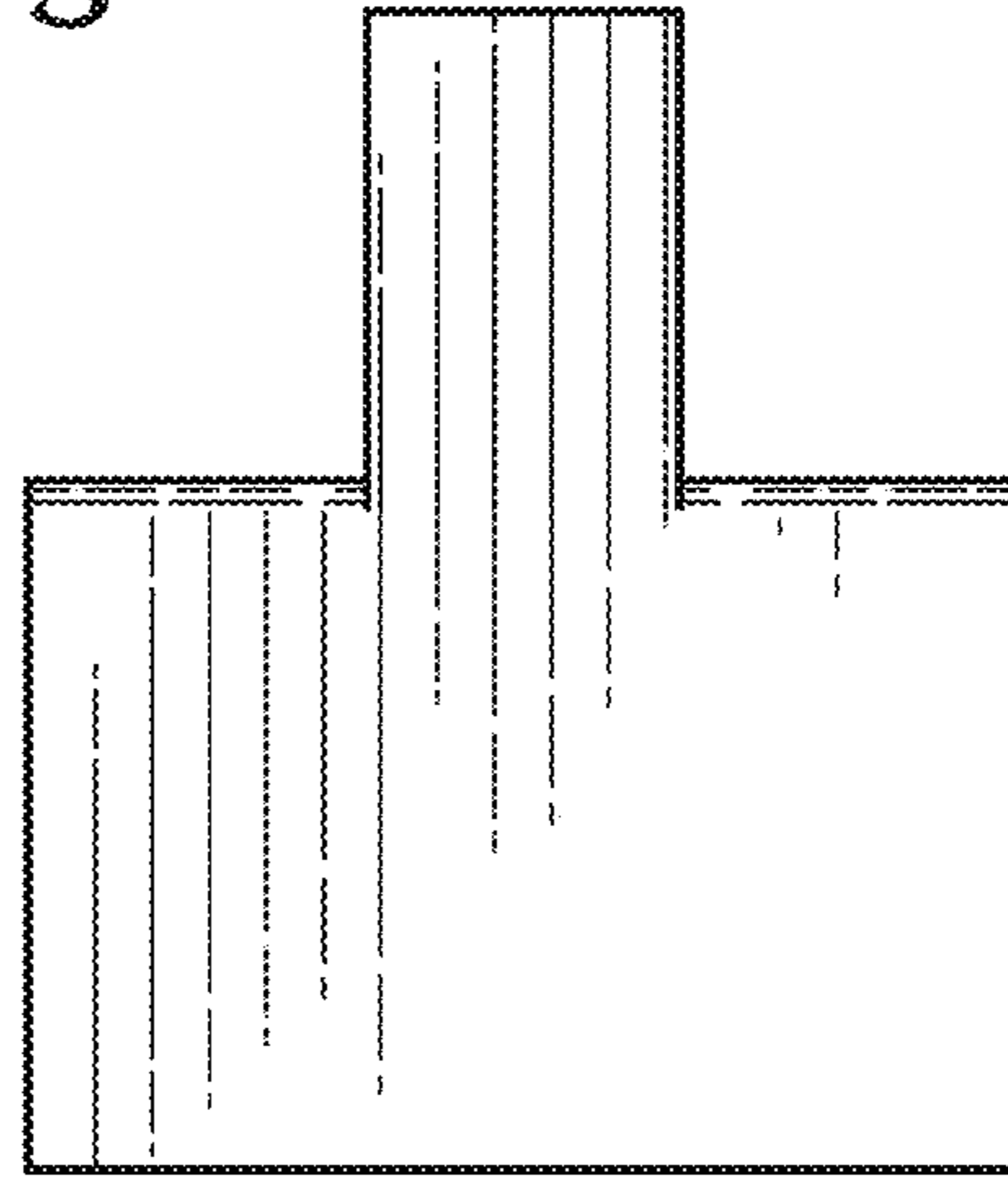


Fig. 3

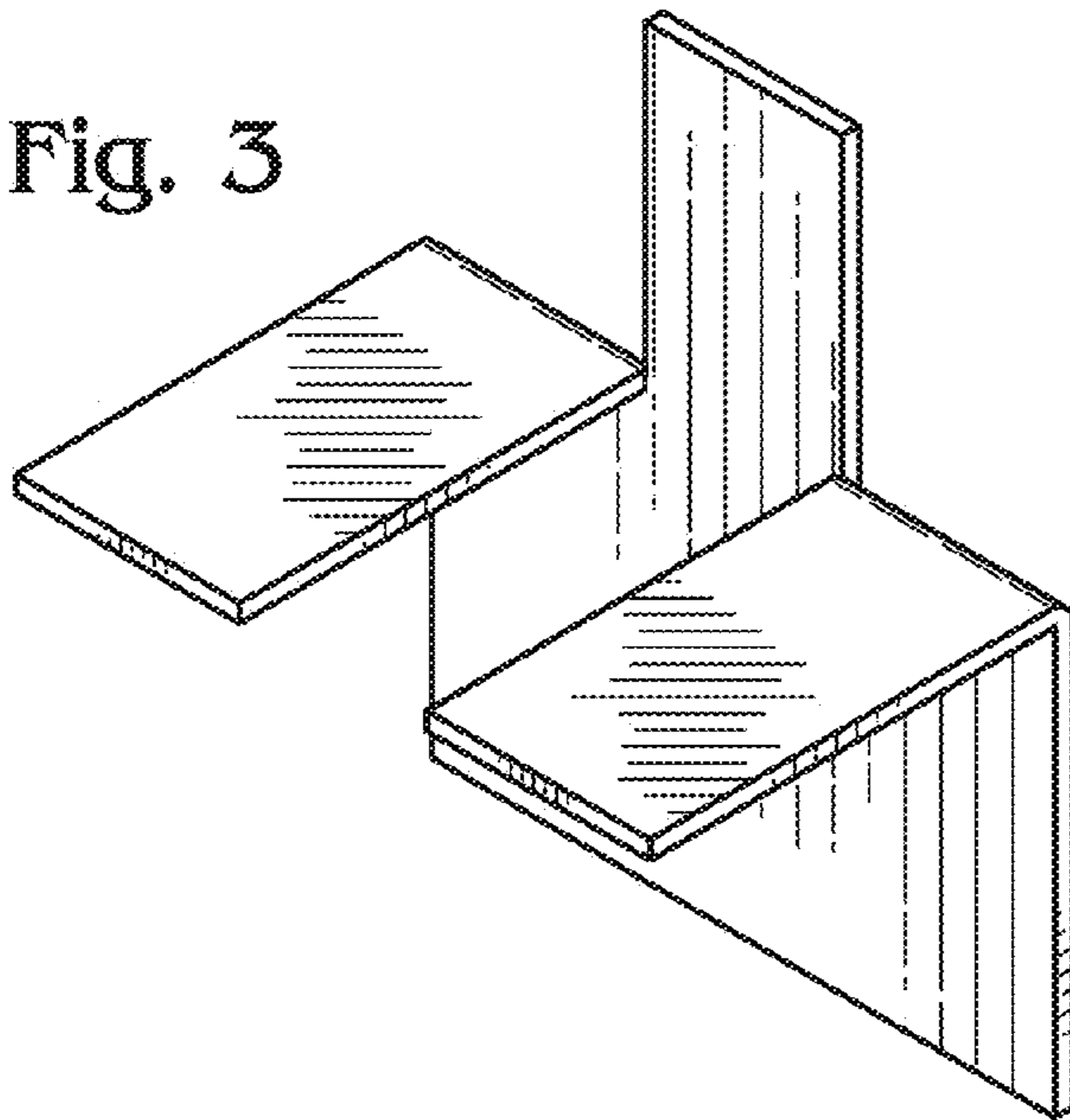


Fig. 4

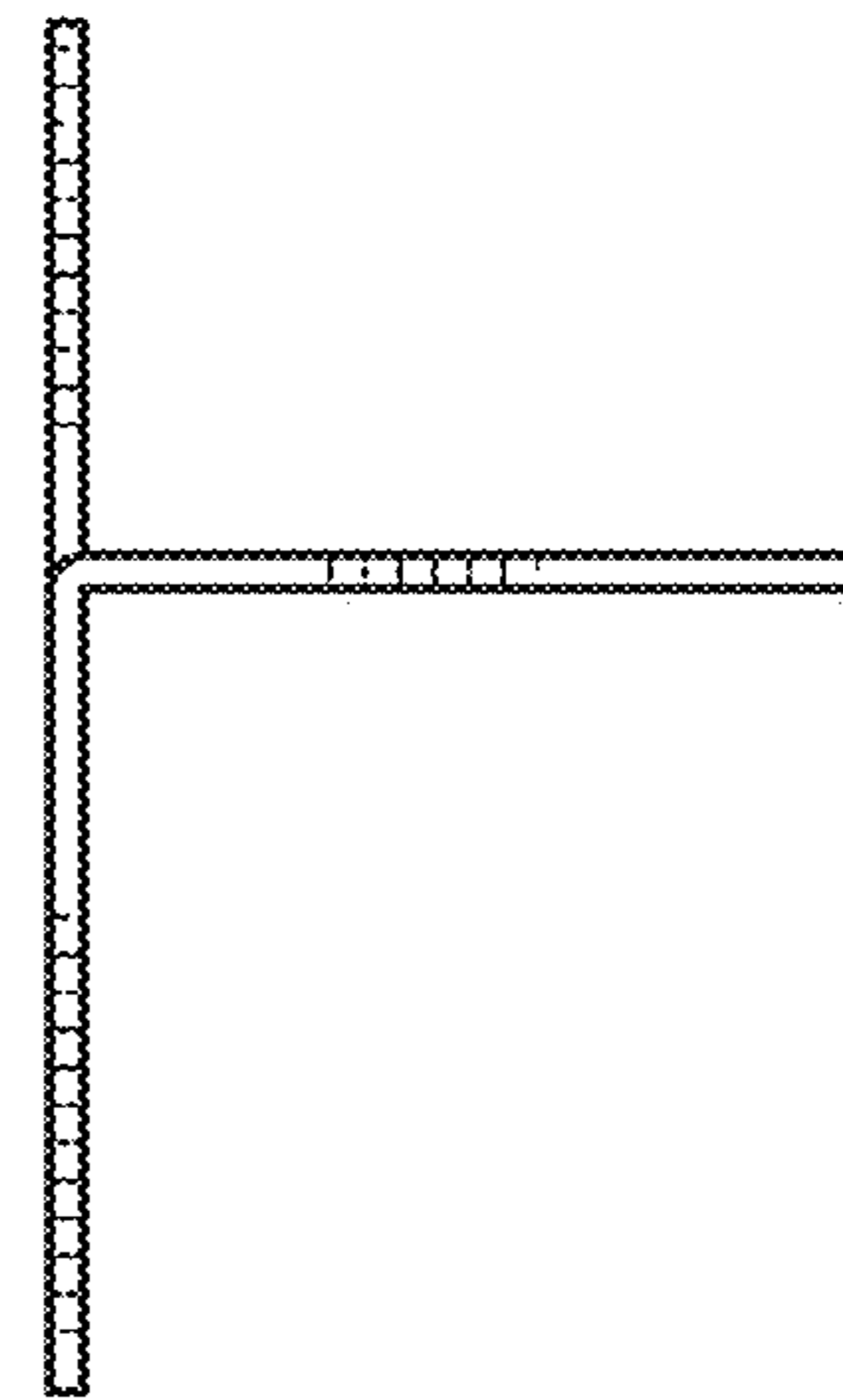


Fig. 5

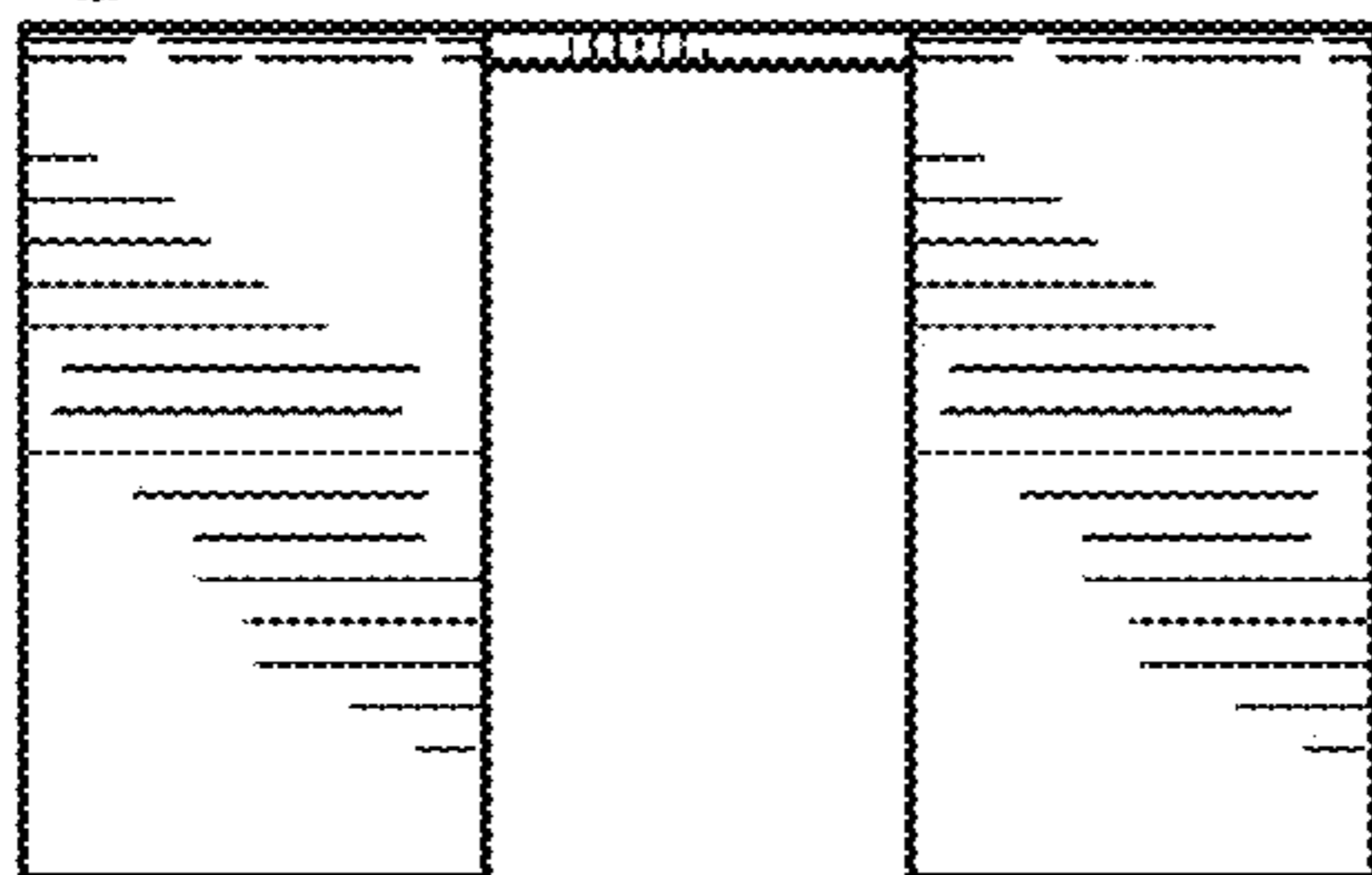


Fig. 6

