

US00D692955S

(12) **United States Design Patent**
Kopco

(10) **Patent No.:** **US D692,955 S**
(45) **Date of Patent:** **** Nov. 5, 2013**

(54) **LABEL HOLDER**

(75) Inventor: **James J. Kopco**, Mentor-on-the-Lake,
OH (US)

(73) Assignee: **Fasteners For Retail, Inc.**, Twinsburg,
OH (US)

(**) Term: **14 Years**

(21) Appl. No.: **29/420,725**

(22) Filed: **May 11, 2012**

(51) **LOC (9) Cl.** **20-03**

(52) **U.S. Cl.**
USPC **D20/43**

(58) **Field of Classification Search**
USPC D20/10, 19, 42-44, 99; 40/642.01,
40/642.02, 649-651, 658, 661, 661.03;
D6/300, 314; D25/119, 123

See application file for complete search history.

(56) **References Cited**

U.S. PATENT DOCUMENTS

D99,822 S	5/1936	Newhard	
2,409,814 A	12/1944	Vargish	
D141,059 S	5/1945	Siegel	
2,434,860 A *	1/1948	Oxley	248/460
3,320,690 A	5/1967	Forsburg	
D238,528 S	1/1976	Crawford	
4,295,288 A	10/1981	Westberg	
4,384,416 A	5/1983	Kanzelberger	
D273,204 S	3/1984	Baker	
4,496,127 A	1/1985	Nelson	
D279,674 S	7/1985	Harley	
4,903,376 A	2/1990	Rousseau	
D308,990 S	7/1990	Grossman	
D325,401 S	4/1992	Garfinkle	
5,419,066 A	5/1995	Harnois et al.	
5,515,632 A	5/1996	Gebka et al.	
5,815,970 A	10/1998	Thalenfeld et al.	
5,826,359 A	10/1998	Thalenfeld et al.	

6,026,603 A	2/2000	Kump et al.	
D425,566 S	5/2000	Mueller et al.	
D425,939 S	5/2000	Kump et al.	
D432,177 S *	10/2000	Wildrick	D20/44
6,226,910 B1	5/2001	Ireland	
D443,311 S	6/2001	Wildrick	
D447,184 S	8/2001	Bjerke et al.	
6,269,571 B1	8/2001	Thalenfeld	
D454,163 S	3/2002	Nagel	

(Continued)

OTHER PUBLICATIONS

Digital photograph of clip on label holder, Circa 2007.

(Continued)

Primary Examiner — Mary Ann Calabrese

(74) *Attorney, Agent, or Firm* — Fay Sharpe LLP

(57) **CLAIM**

The ornamental design for a label holder, as shown and described.

DESCRIPTION

FIG. 1 is a perspective view of a label holder showing a first embodiment of my new design;

FIG. 2 is a right side elevational view thereof, with a left side elevational view being a mirror image thereof;

FIG. 3 is a front elevational view thereof;

FIG. 4 is a top plan view thereof;

FIG. 5 is a bottom plan view thereof;

FIG. 6 is a rear elevational view thereof;

FIG. 7 is a perspective view of a label holder showing a second embodiment of my new design;

FIG. 8 is a right side elevational view thereof, with a left side elevational view being a mirror image thereof;

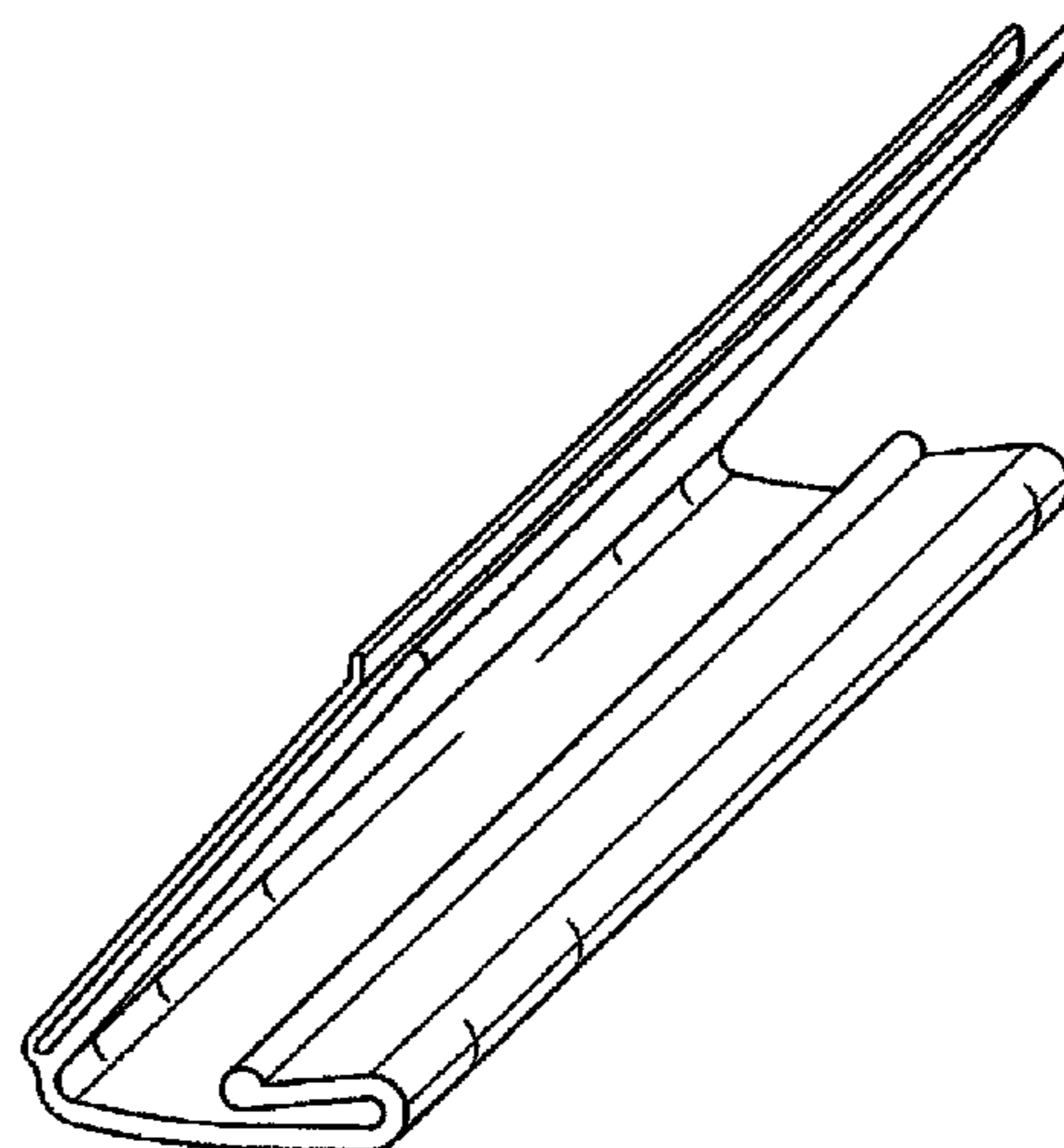
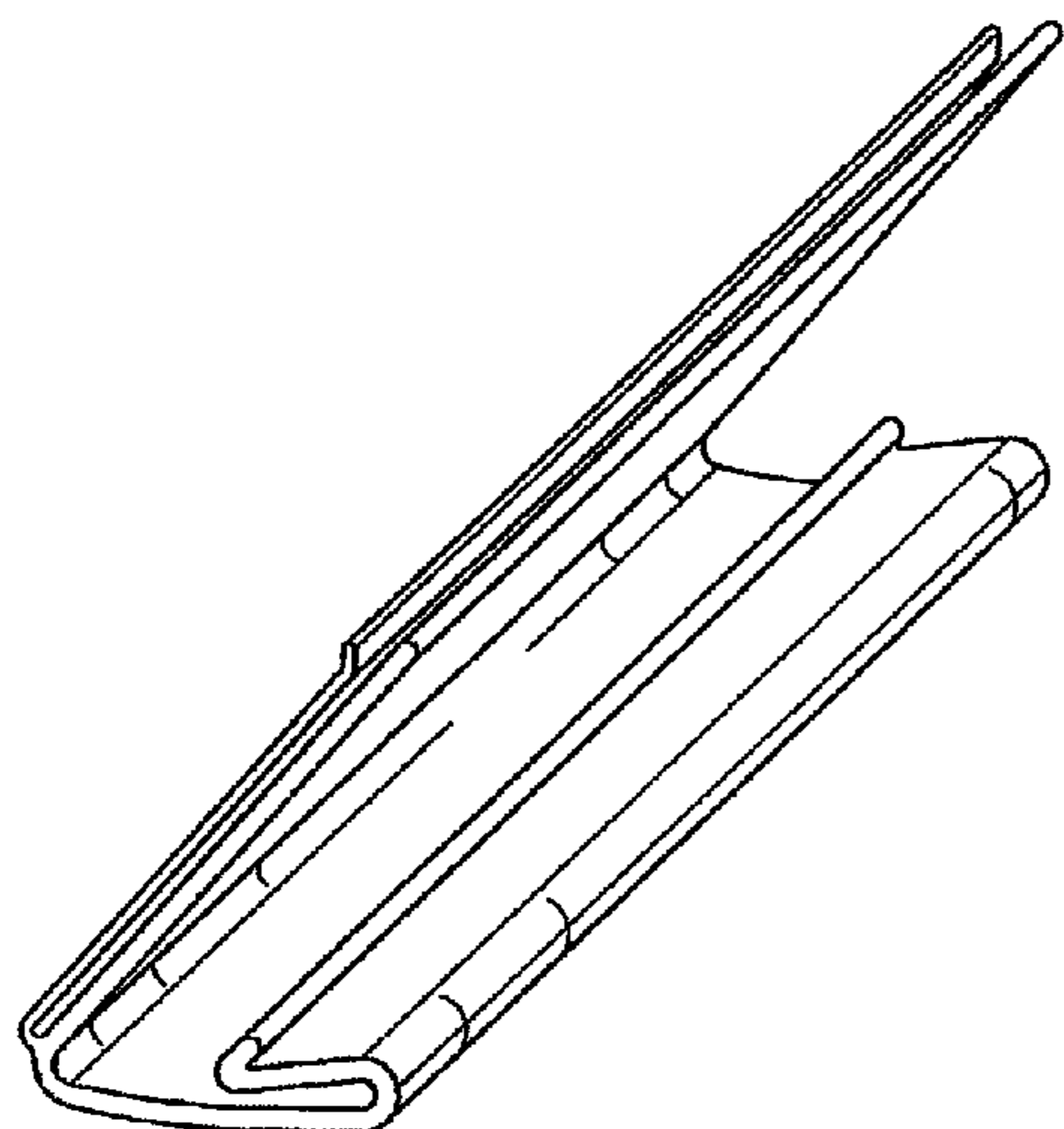
FIG. 9 is a front elevational view thereof;

FIG. 10 is a top plan view thereof;

FIG. 11 is a bottom plan view thereof; and,

FIG. 12 is a rear elevational view thereof.

1 Claim, 4 Drawing Sheets



(56)

References Cited

U.S. PATENT DOCUMENTS

D454,373 S 3/2002 Kosir
D461,507 S 8/2002 Nagel
6,470,613 B1 10/2002 Wildrick
6,523,291 B2 2/2003 Nagel
6,553,702 B1 4/2003 Bacnik
6,568,112 B2 5/2003 Lowry et al.
D479,278 S 9/2003 Nagel
D480,434 S 10/2003 Brinkman et al.
6,665,971 B2 12/2003 Lowry et al.
6,688,567 B2 2/2004 Fast et al.
D504,160 S 4/2005 Abramson
D510,602 S 10/2005 Wasilko
D513,280 S 12/2005 Kosir
6,971,201 B2 12/2005 Brinkman et al.
D516,633 S 3/2006 Kosir
D531,227 S 10/2006 Mueller et al.

D546,892 S 7/2007 Bruegmann
7,325,348 B2 2/2008 Mueller et al.
D573,656 S 7/2008 Wamsley
7,434,341 B2* 10/2008 Brinkman et al. 40/642.02
D580,498 S 11/2008 Healy et al.
D595,782 S 7/2009 Whitfield
D640,750 S 6/2011 Bird et al.
2004/0250459 A1 12/2004 Brinkman et al.
2005/0166438 A1 8/2005 Mueller et al.
2006/0086027 A1* 4/2006 Brinkman et al. 40/642.02
2006/0254106 A1 11/2006 Fast

OTHER PUBLICATIONS

FFR-DSI Yellow Pages 2010 Product Catalog "Renew-Refresh-Re-model with Total Retail Solutions From FFR-DSI!", Cover page and pp. 59-69.

* cited by examiner

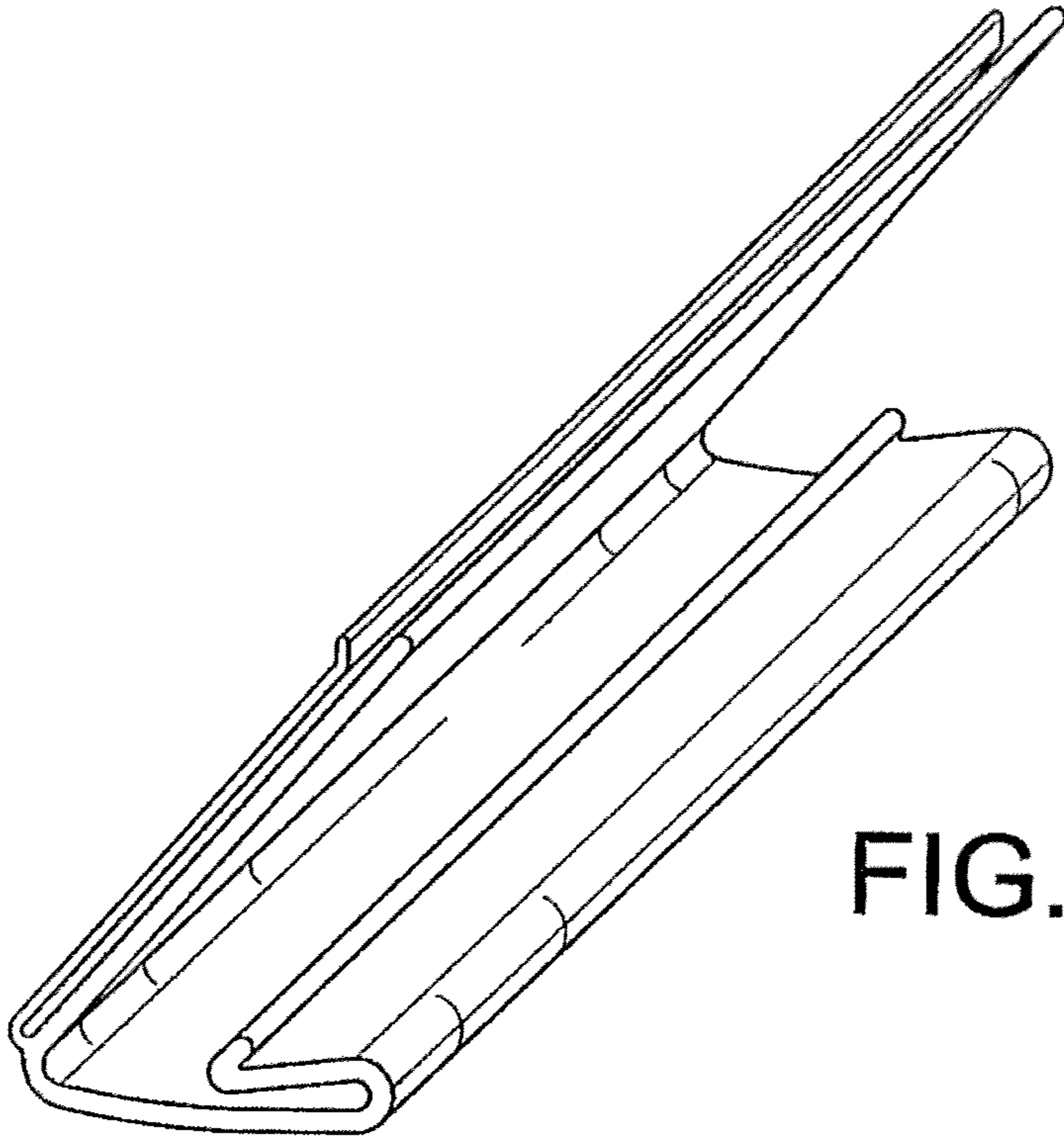
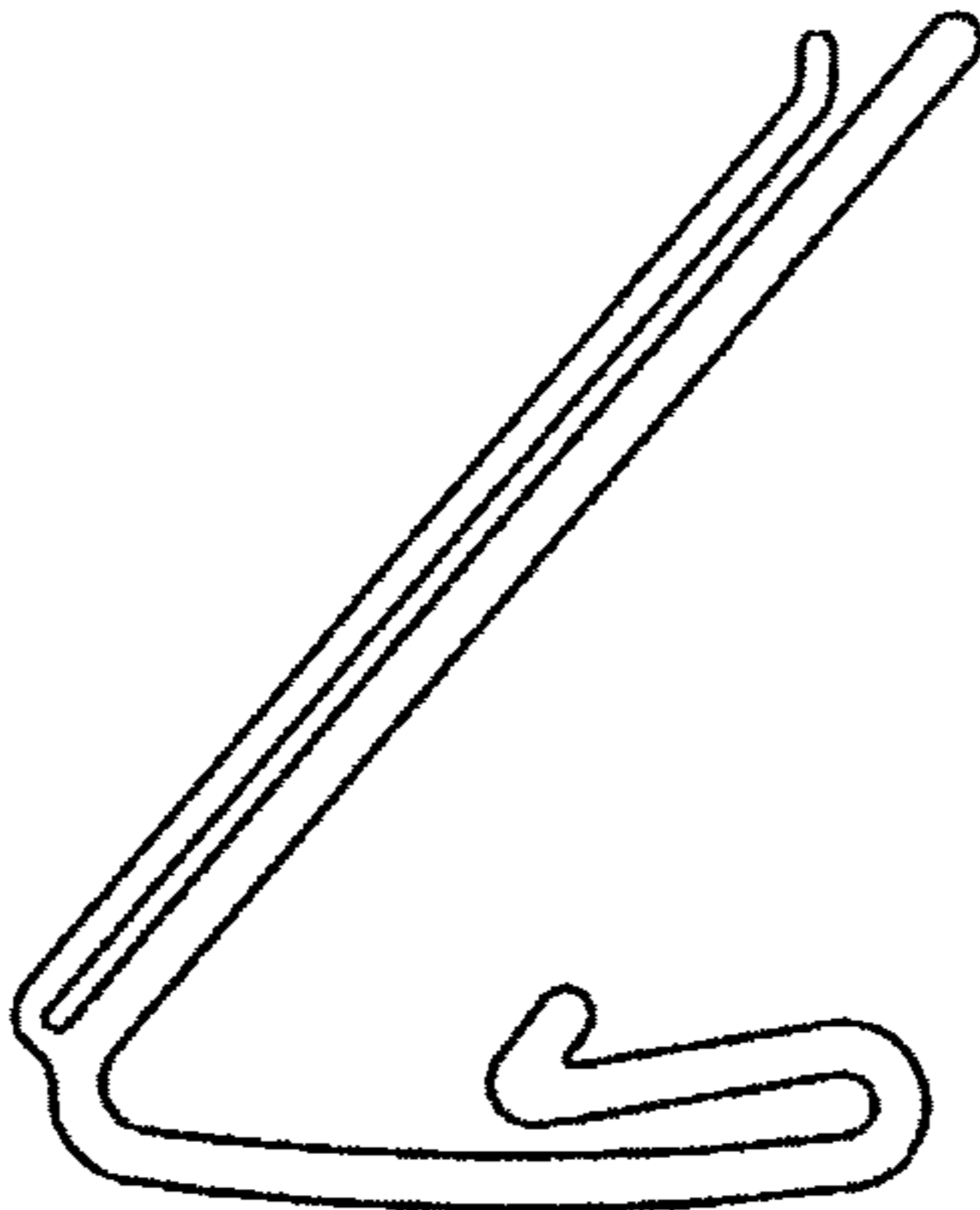


FIG. 1

FIG. 2



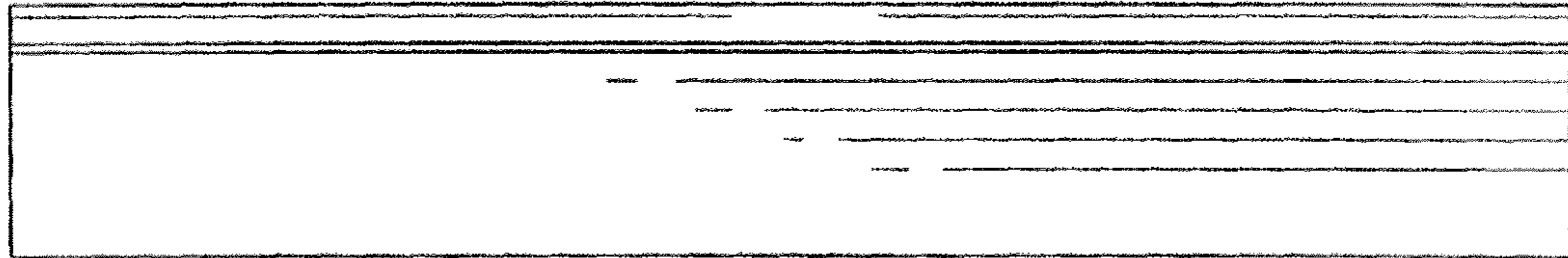


FIG. 4

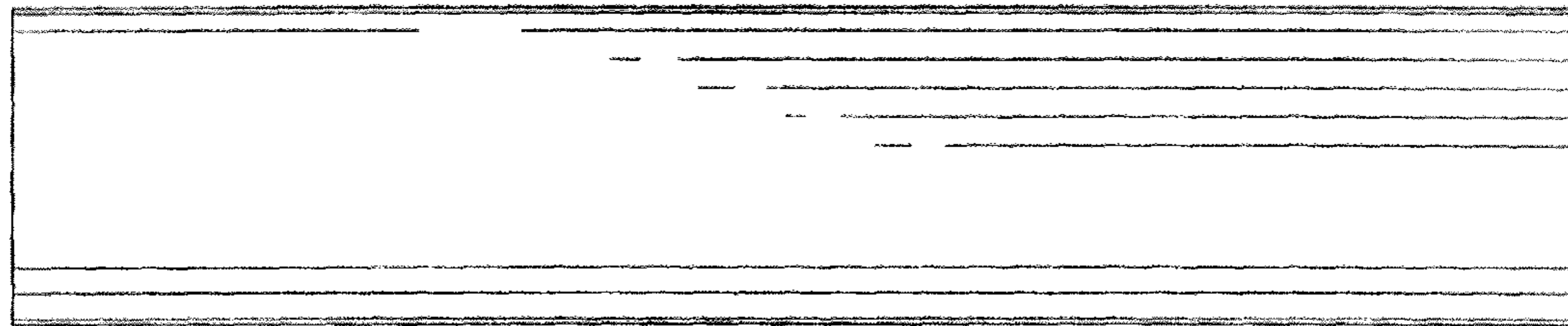


FIG. 3

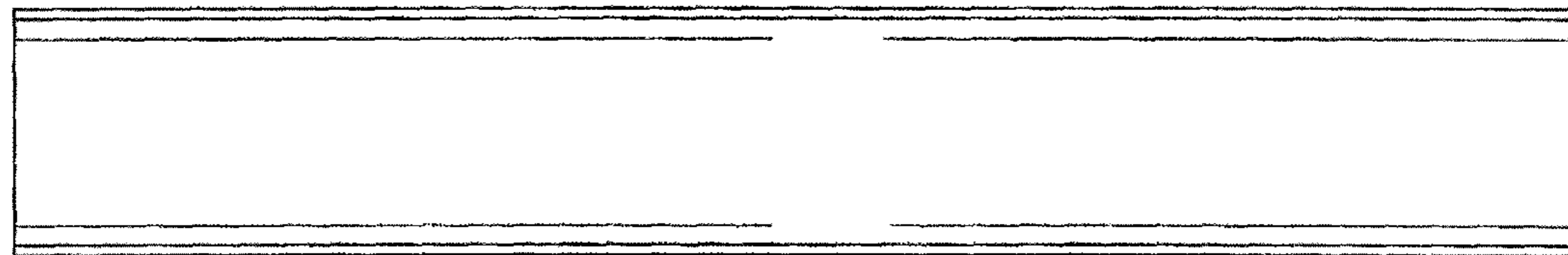


FIG. 5

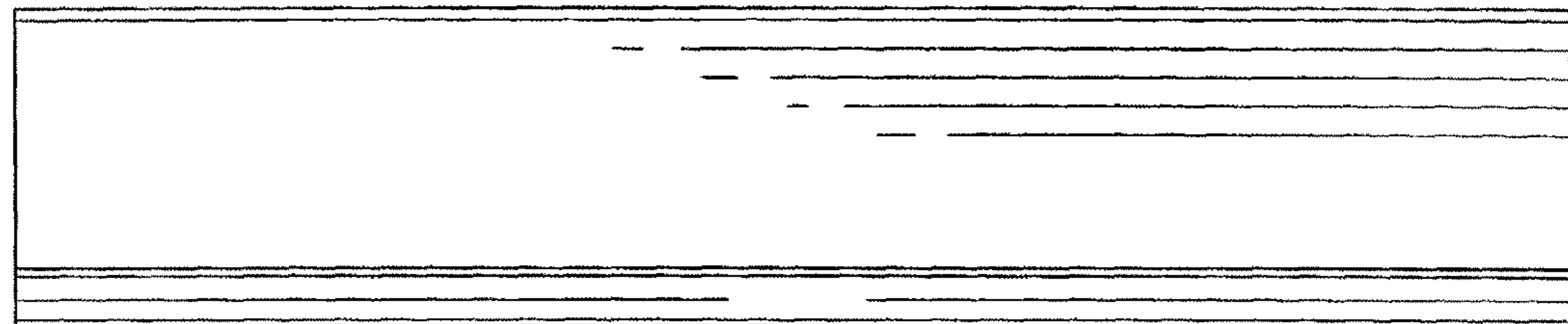


FIG. 6

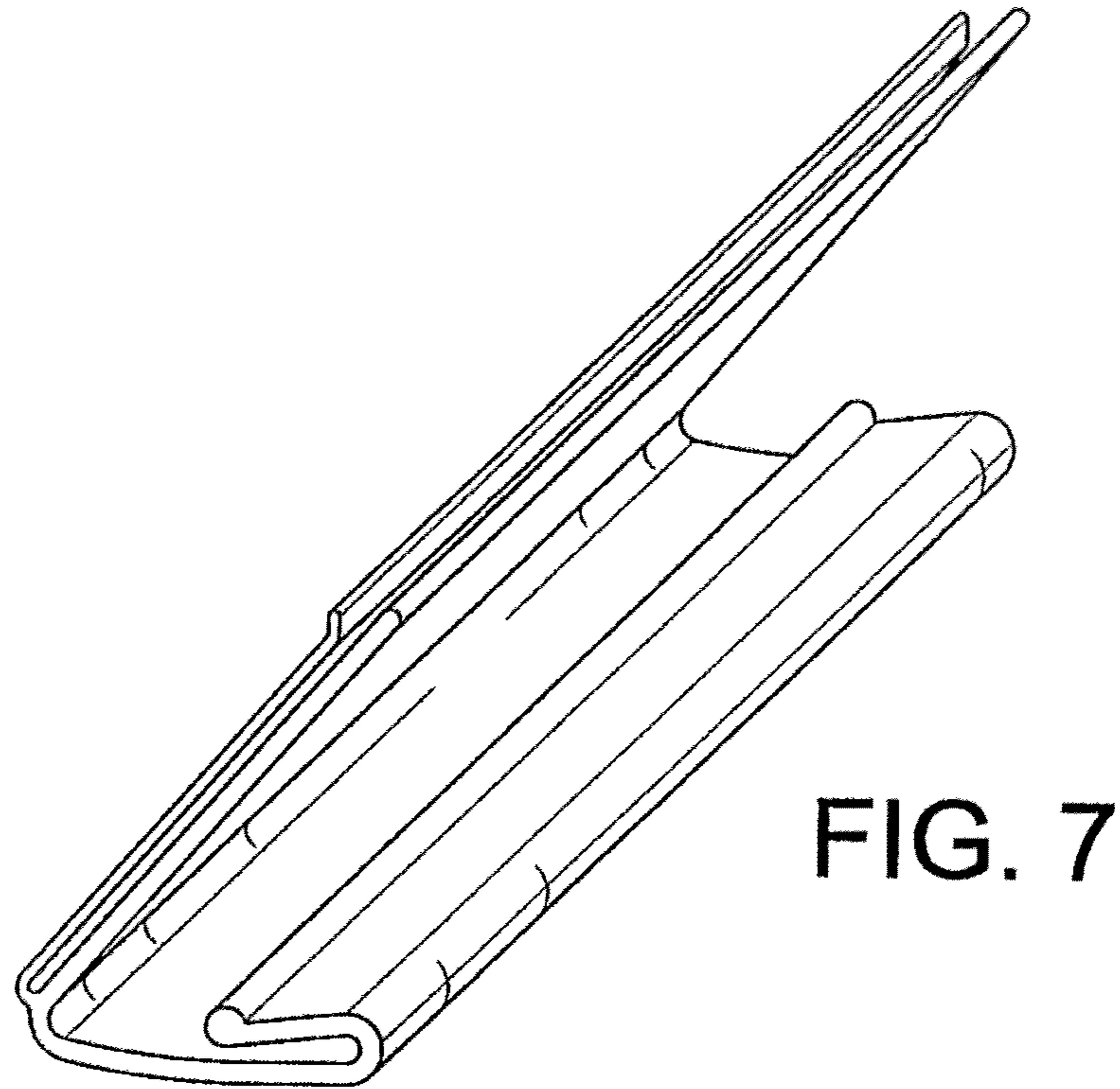
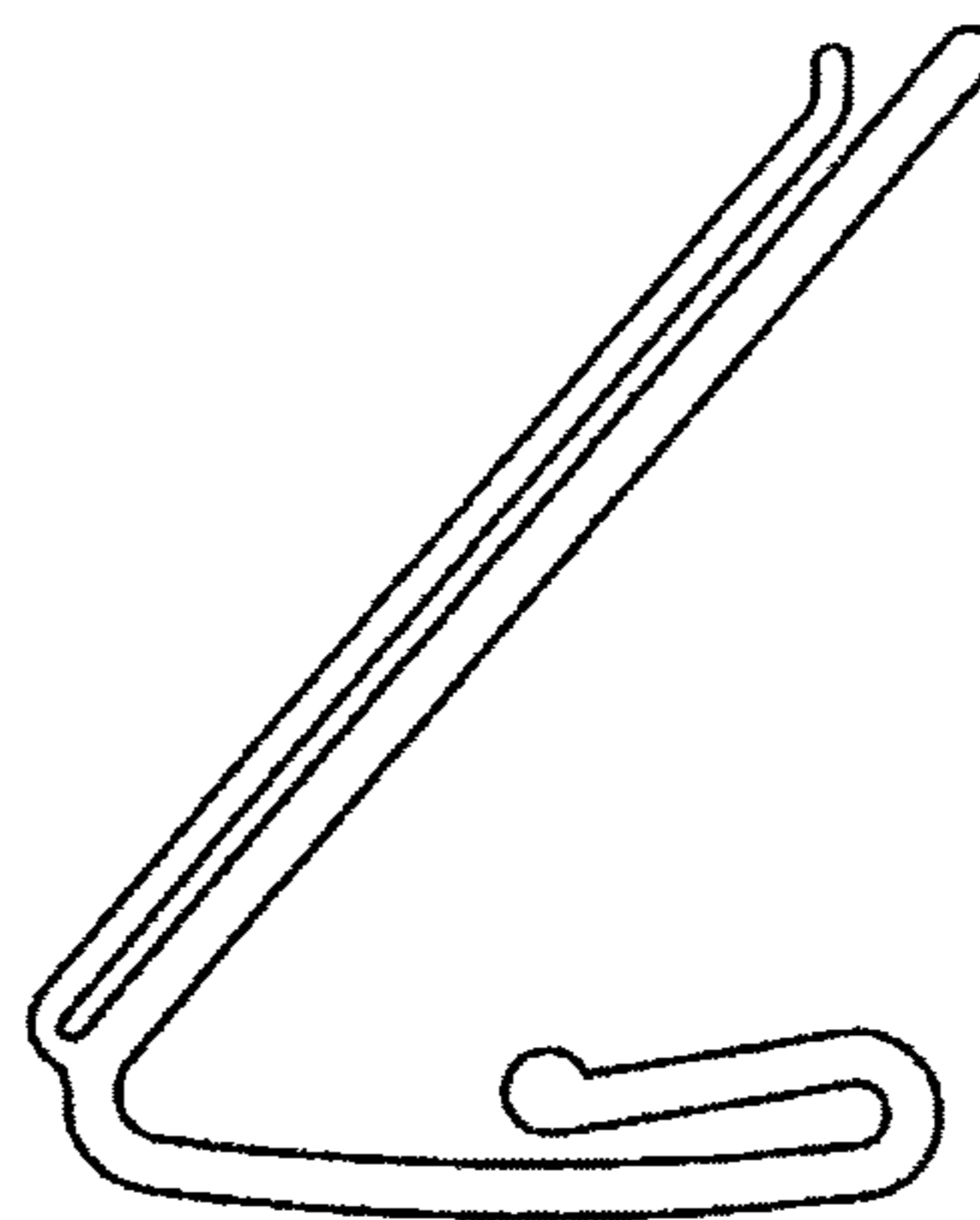


FIG. 7

FIG. 8



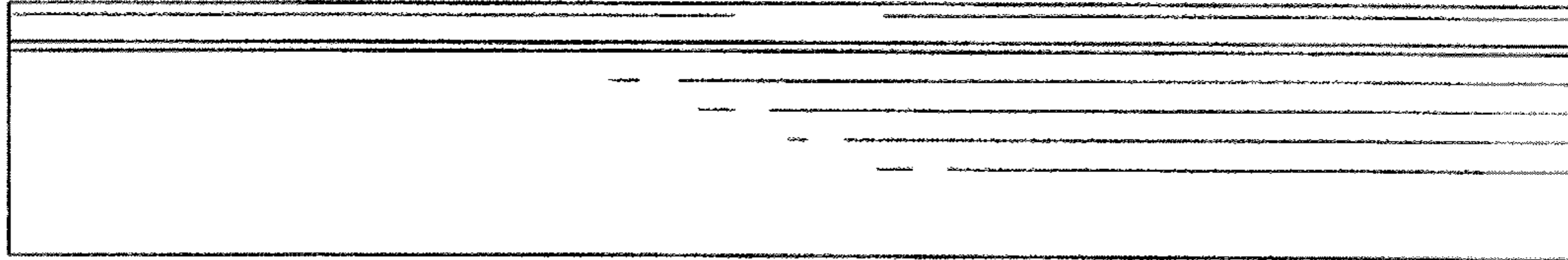


FIG. 10

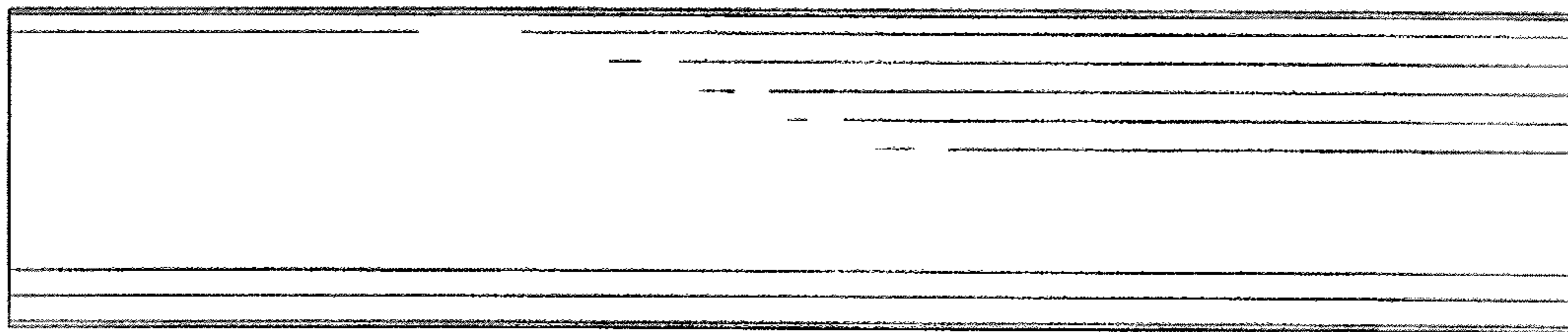


FIG. 9

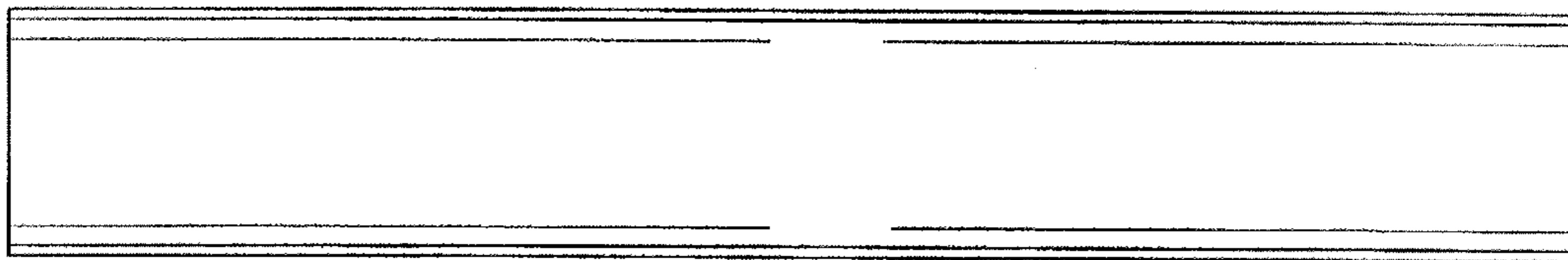


FIG. 11

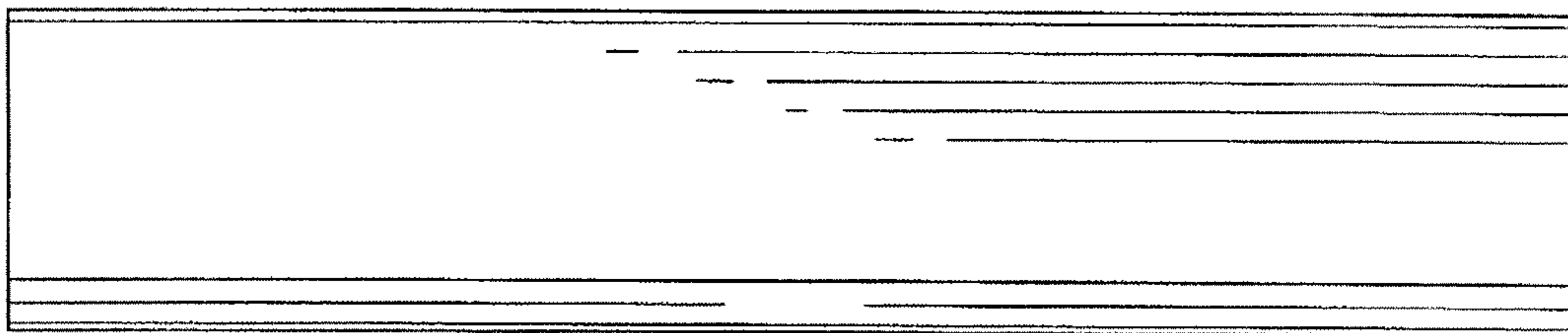


FIG. 12