



US00D692950S

(12) **United States Design Patent**
Evans et al.

(10) **Patent No.:** **US D692,950 S**
(45) **Date of Patent:** **** Nov. 5, 2013**

(54) **COOKBOOK STAND**

(75) Inventors: **Damian Evans**, London (GB); **Bernard Sinclair**, London (GB)

(73) Assignee: **Joseph Joseph, Ltd.**, London (GB)

(**) Term: **14 Years**

(21) Appl. No.: **29/416,337**

(22) Filed: **Mar. 21, 2012**

(30) **Foreign Application Priority Data**

Dec. 14, 2011 (EM) 001962721-0001

(51) **LOC (9) Cl.** **19-02**

(52) **U.S. Cl.**
USPC **D19/91**

(58) **Field of Classification Search**
USPC D3/273, 294, 304, 314; D6/310, 311,
D6/312, 676.3, 678.3, 683.1, 700; D9/432;
D19/26-31, 75, 77, 78, 81-86, 90, 91;
206/215, 425, 449, 555; 211/10, 11,
211/46, 48, 87.01; 248/447, 454, 460, 461,
248/462, 463

See application file for complete search history.

(56) **References Cited**

U.S. PATENT DOCUMENTS

2,159,612	A *	5/1939	Barrett	281/33
2,881,008	A *	4/1959	Goldman	281/33
3,135,532	A *	6/1964	Johnson et al.	281/33
3,199,897	A *	8/1965	Wolfe	281/33
3,224,792	A *	12/1965	Murray	281/33
4,015,863	A *	4/1977	Holum	281/33
D264,095	S *	4/1982	Smith	D19/27
4,355,821	A *	10/1982	Crawford	281/33

4,552,479	A *	11/1985	Nickow et al.	402/74
D308,887	S *	6/1990	Wyant	D19/26
D444,304	S *	7/2001	Polonsky	D6/310
6,390,713	B1 *	5/2002	Moor et al.	402/57
D468,348	S *	1/2003	Nishikawa	D19/26
6,672,785	B1 *	1/2004	O'Hara et al.	402/79
6,860,458	B1 *	3/2005	Pagano	248/441.1
6,971,621	B2 *	12/2005	Gaines	248/447
D573,598	S *	7/2008	Chu	D14/447
2005/0103969	A1 *	5/2005	Gaines	248/447

* cited by examiner

Primary Examiner — Elizabeth Albert

(74) *Attorney, Agent, or Firm* — Millen, White, Zelano & Branigan, P.C.

(57) **CLAIM**

The ornamental design for cookbook stand, as shown and described.

DESCRIPTION

FIG. 1 is a perspective front view of the cookbook stand with support flaps folded up showing our new design.

FIG. 2 is a lower front elevational view of FIG. 1 with support flaps folded up.

FIG. 3 is a back elevational view of FIG. 1 with support flaps folded up.

FIG. 4 is a side view of FIG. 1 with support flaps in a position at a right angle to the back.

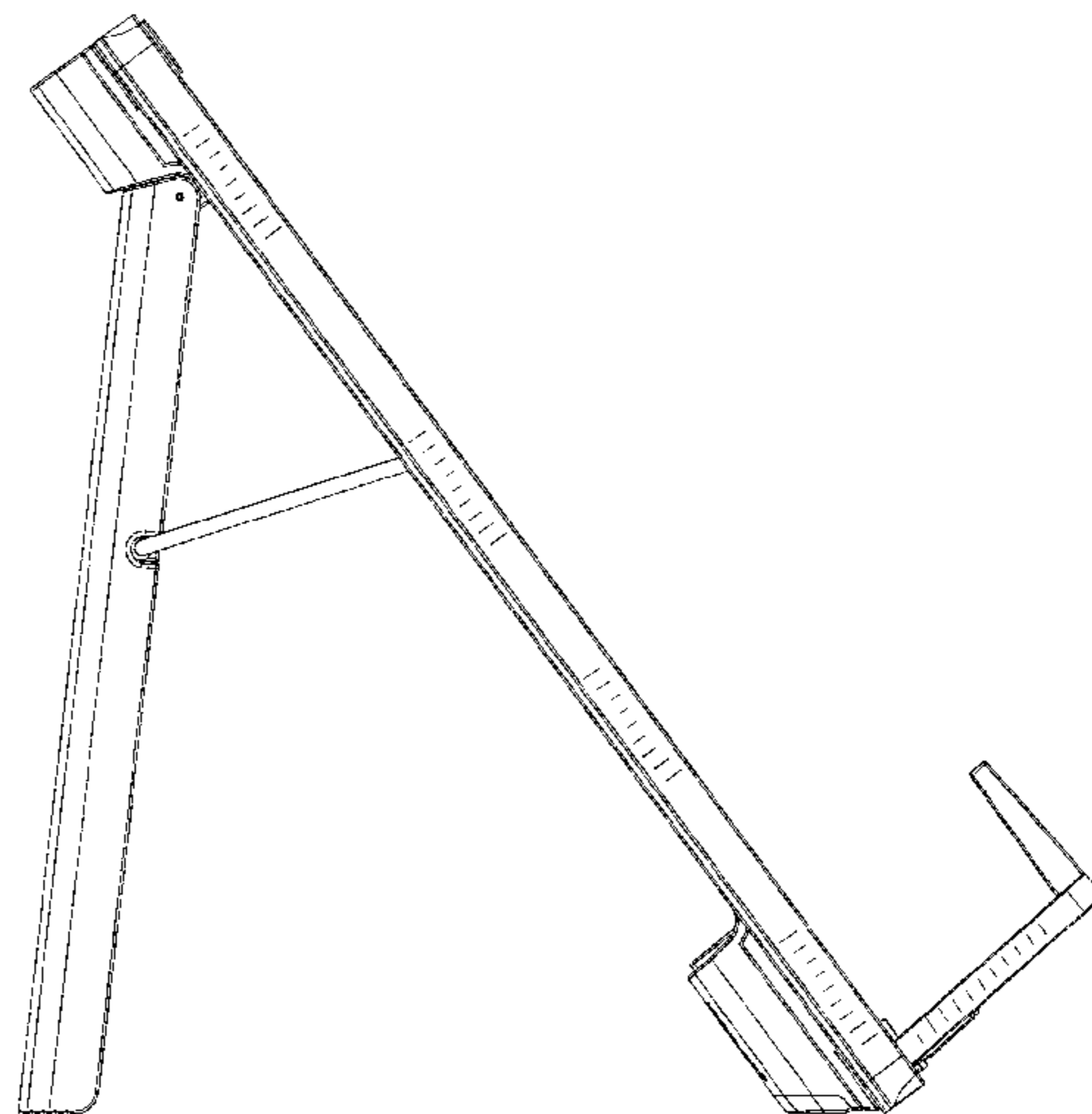
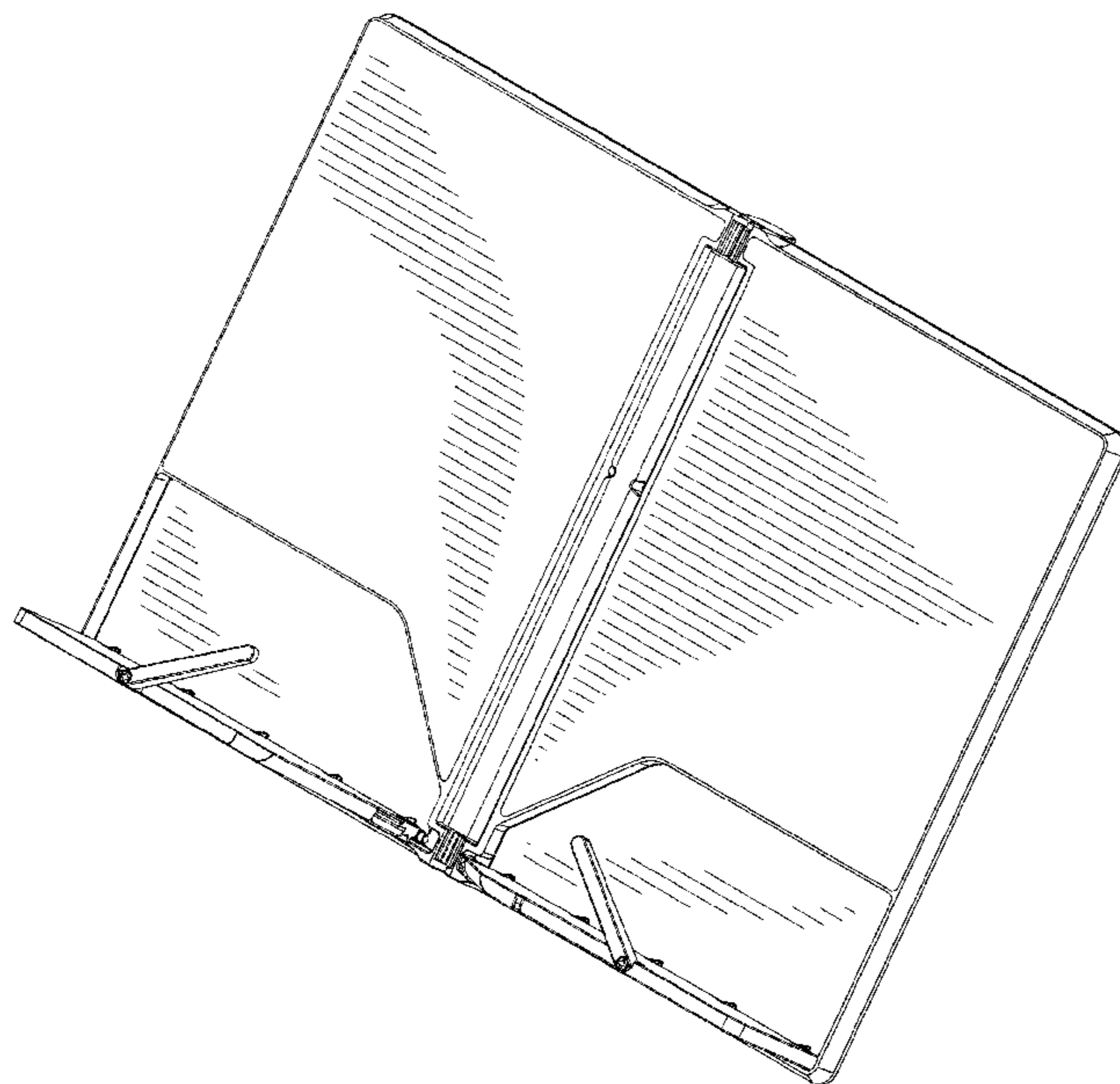
FIG. 5 is the opposite side view from that shown in FIG. 4 with support flaps at a right angle to the back.

FIG. 6 is a upper front view elevational of FIG. 1 with support flaps at a right angle to the back.

FIG. 7 is a lower back elevational view of FIG. 1 with support flaps at a right angle to the back; and,

FIG. 8 is bottom view of FIG. 1 with support flaps at a right angle to the back.

1 Claim, 8 Drawing Sheets



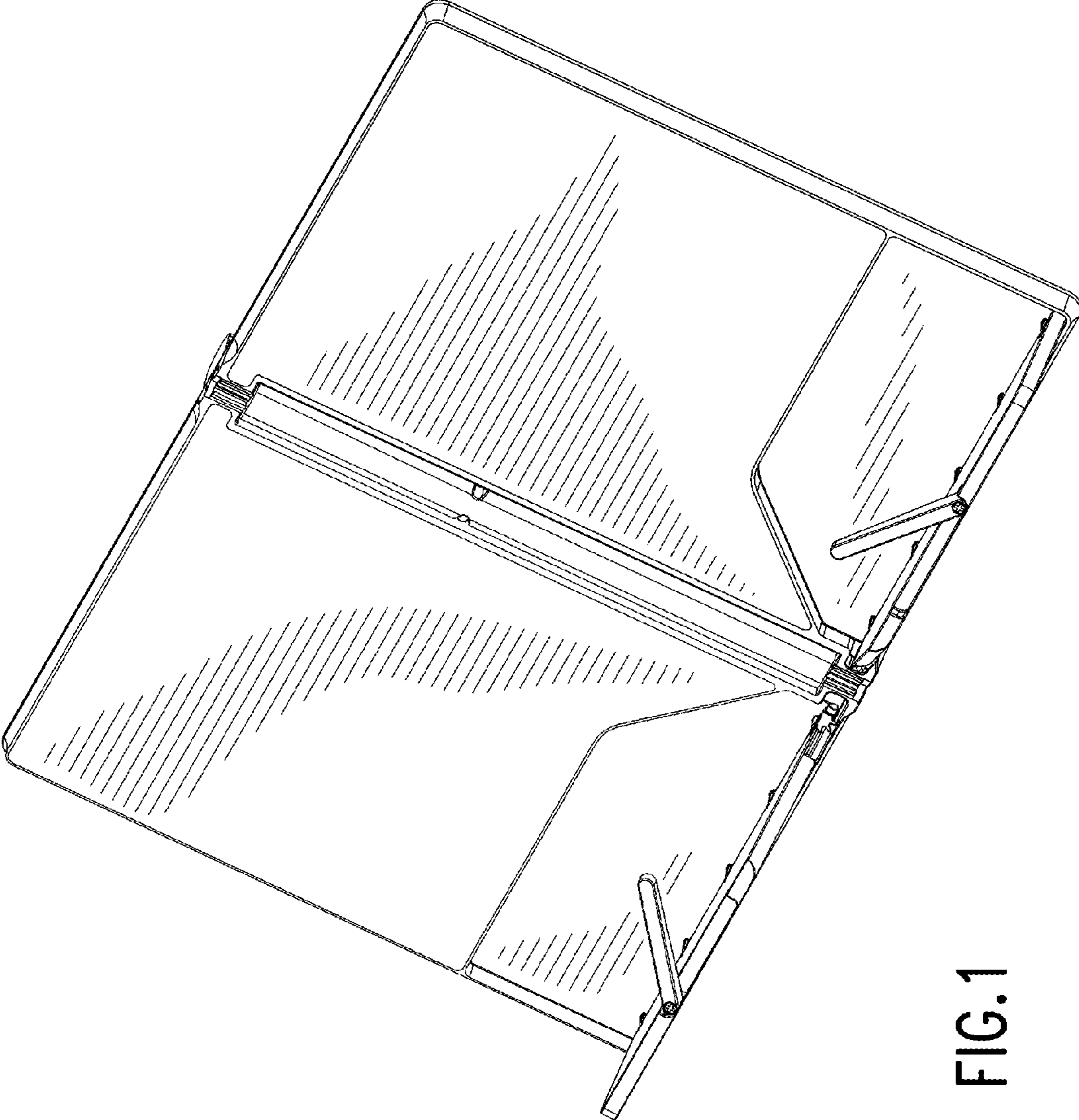


FIG.1

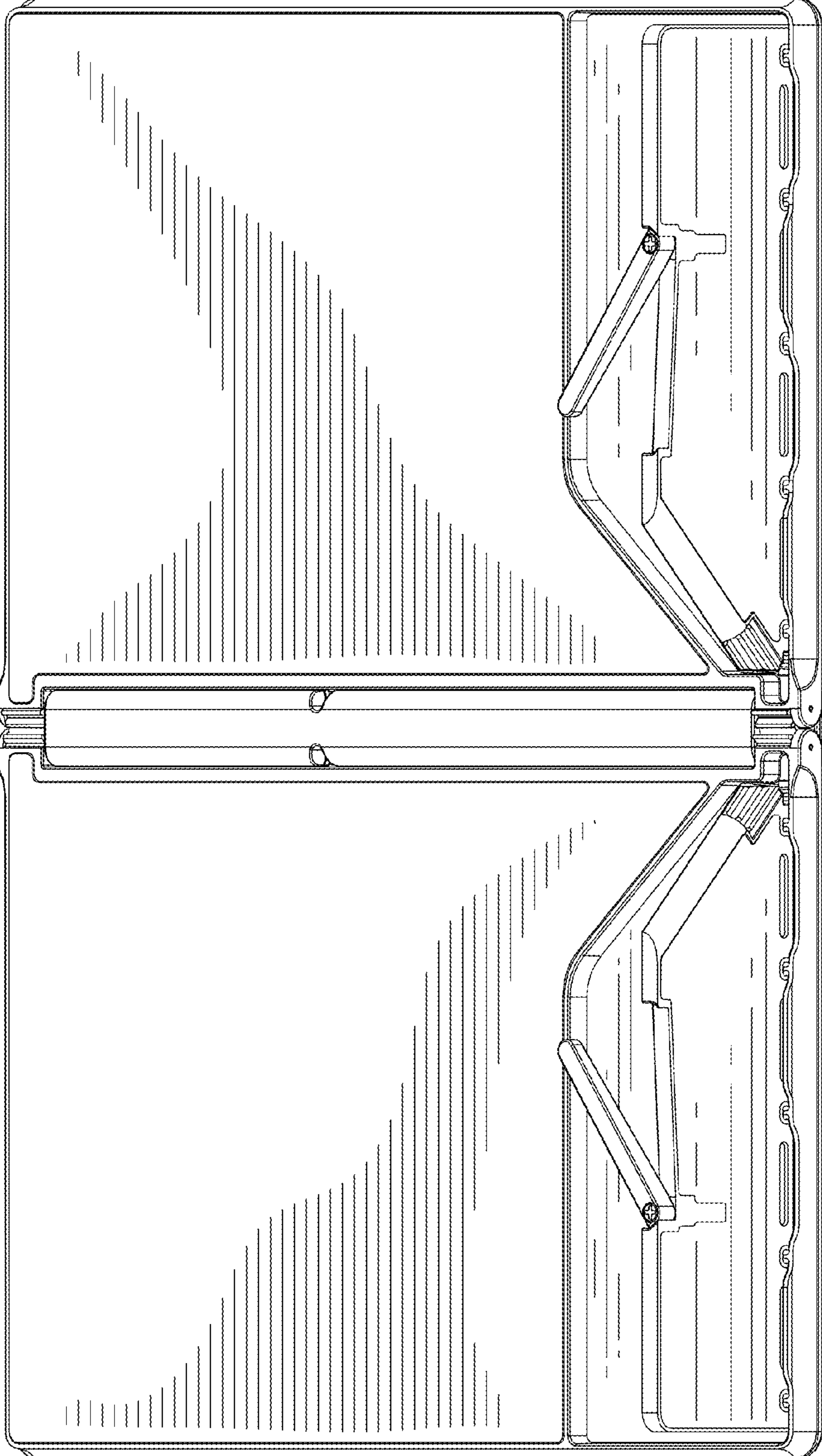


FIG.2

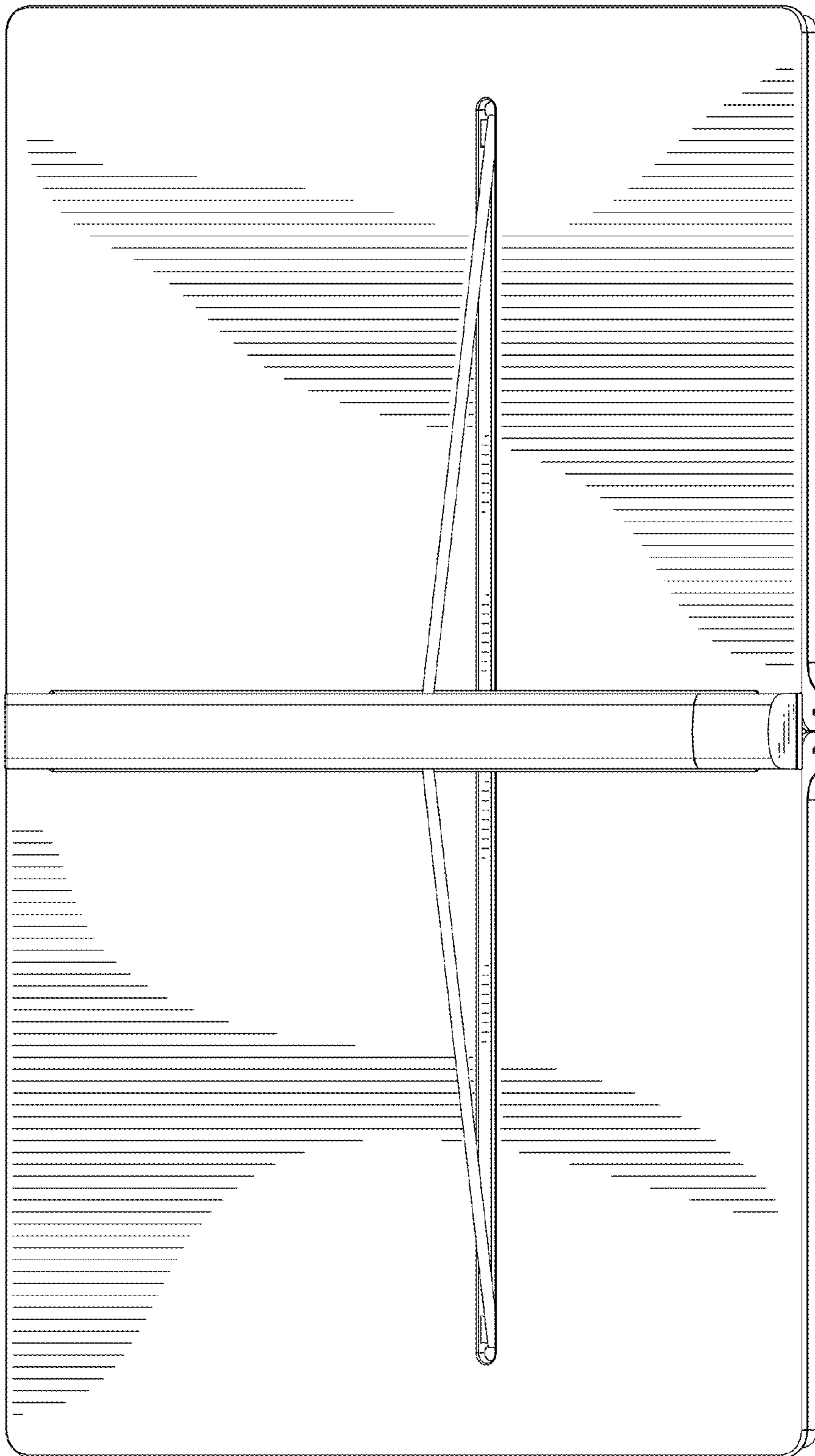


FIG. 3

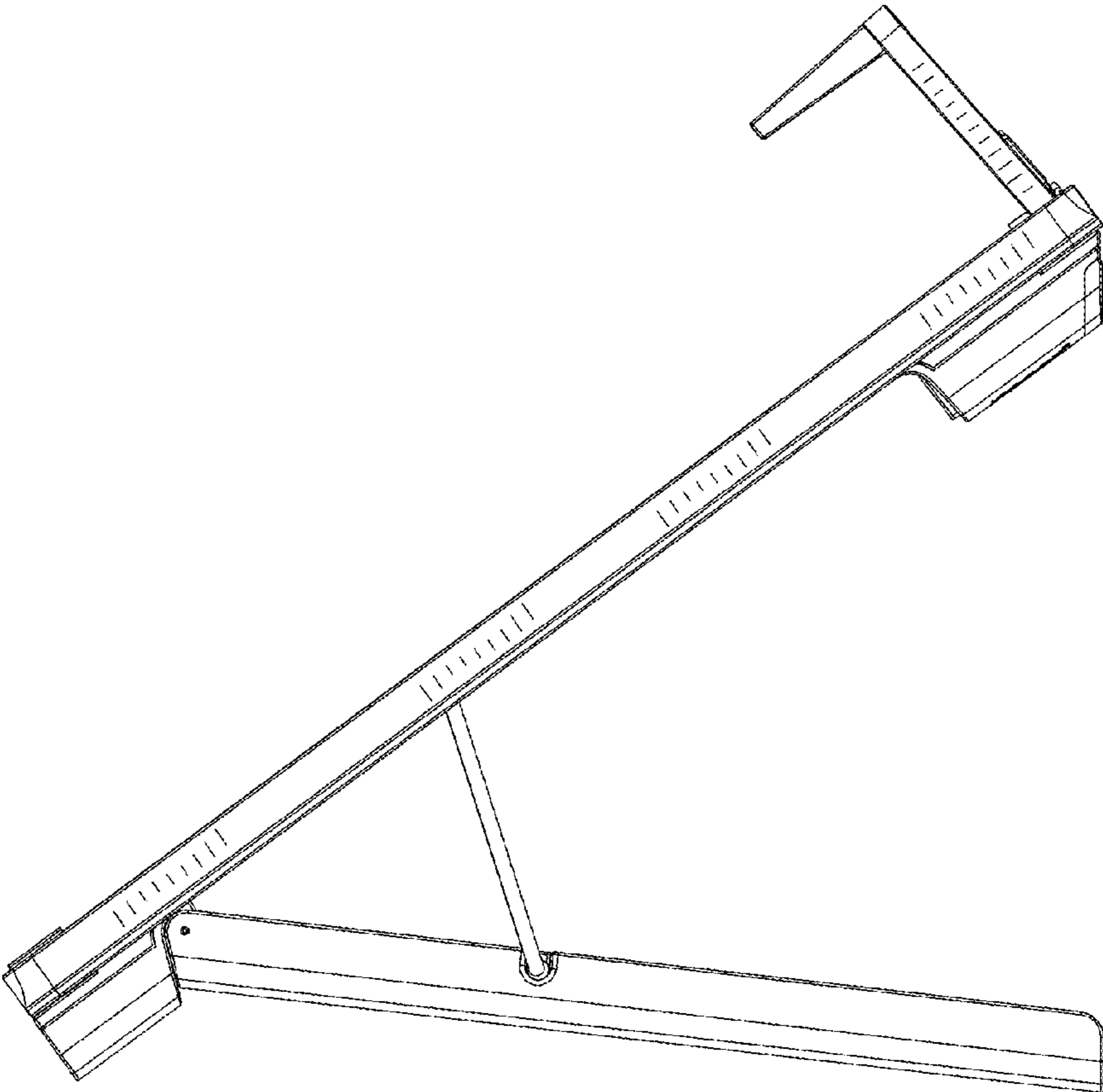


FIG. 4

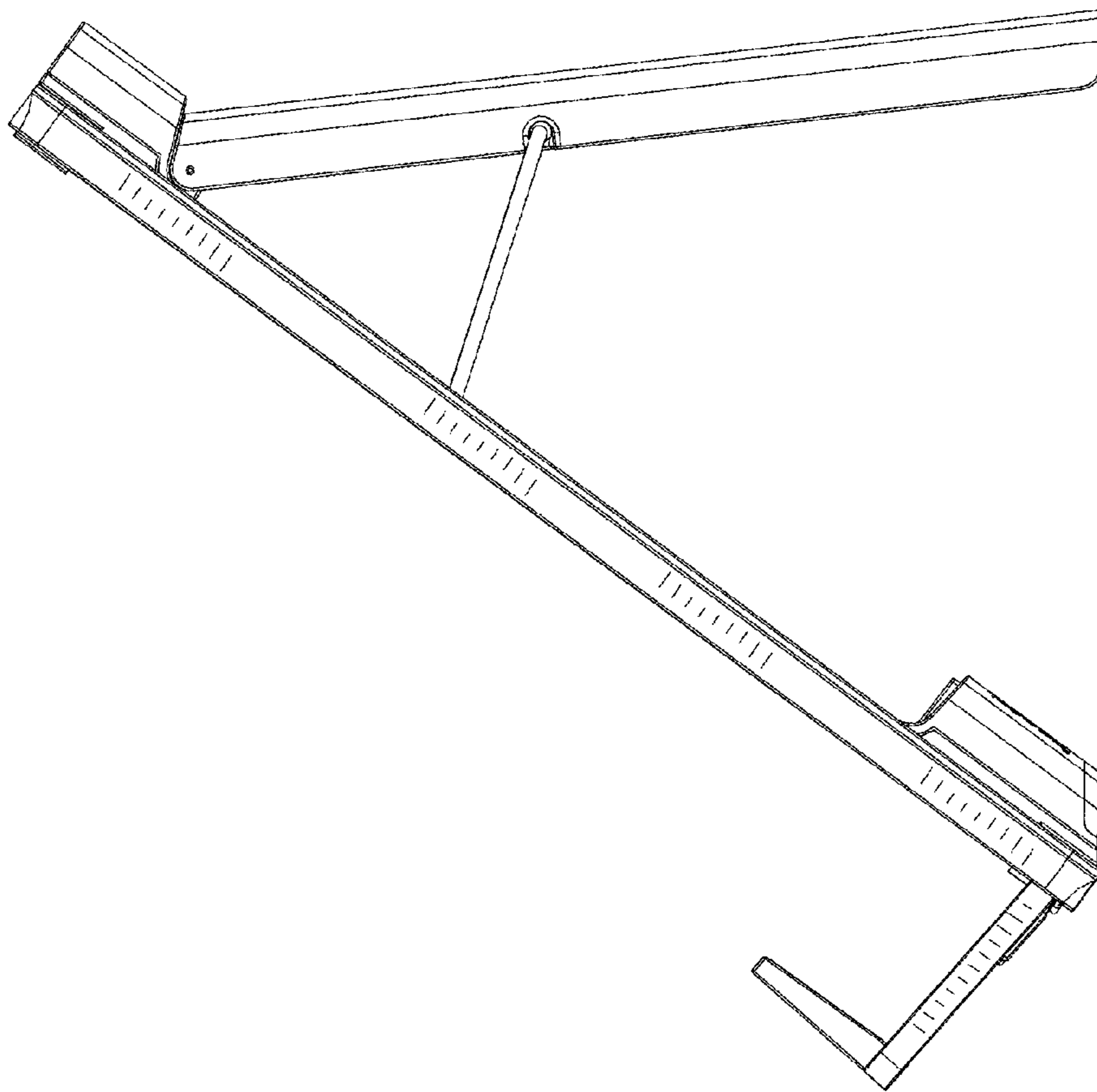


FIG.5

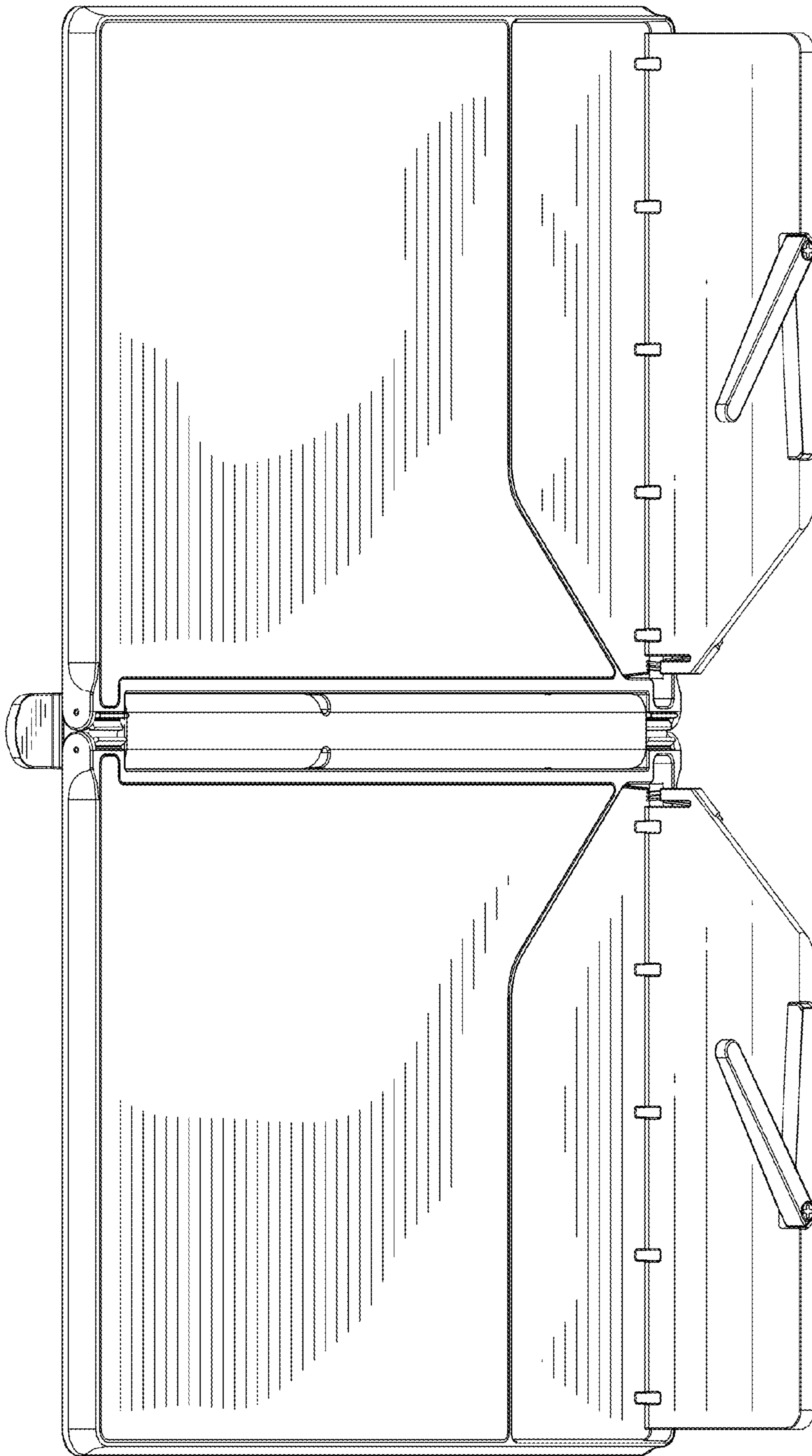


FIG.6

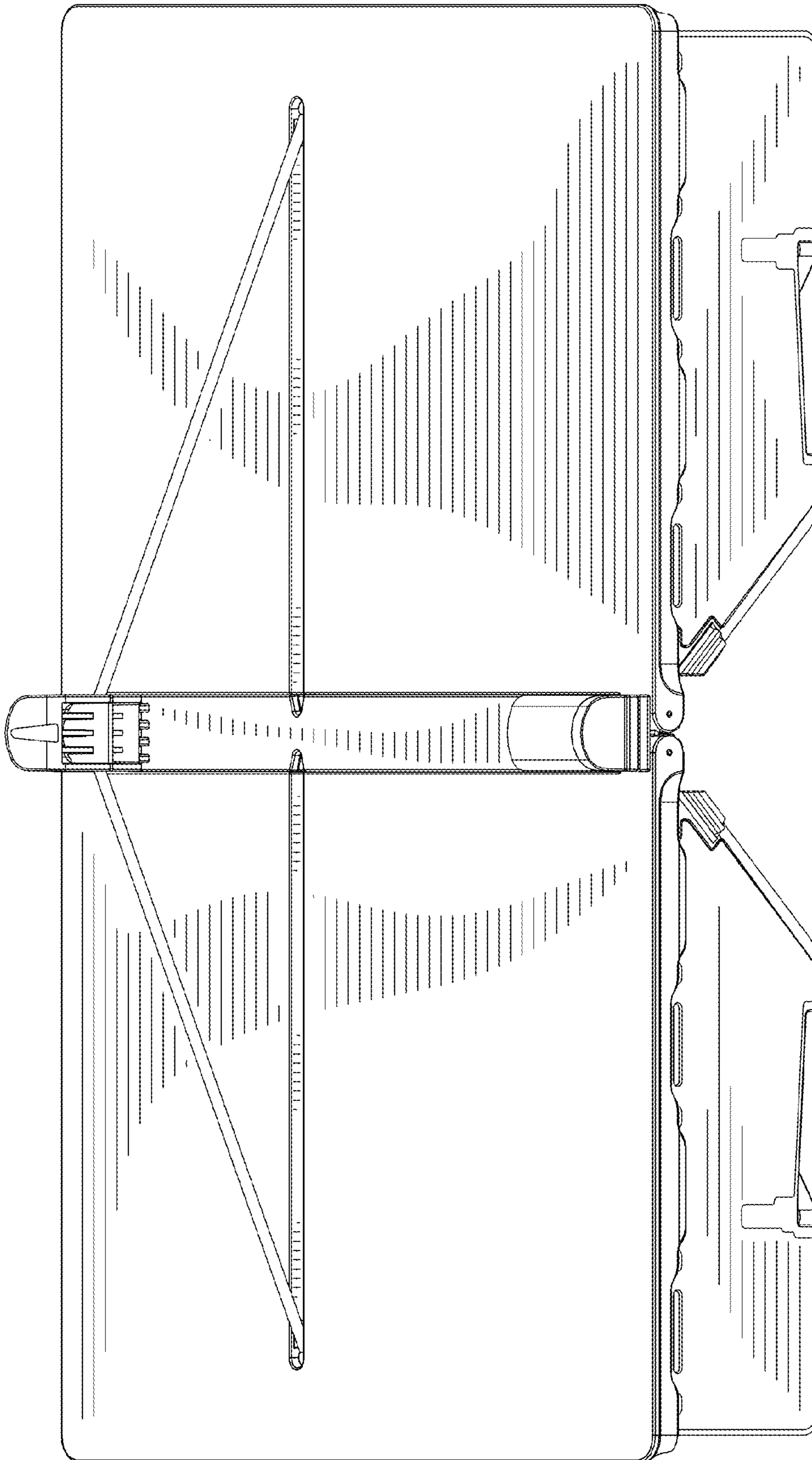


FIG. 7

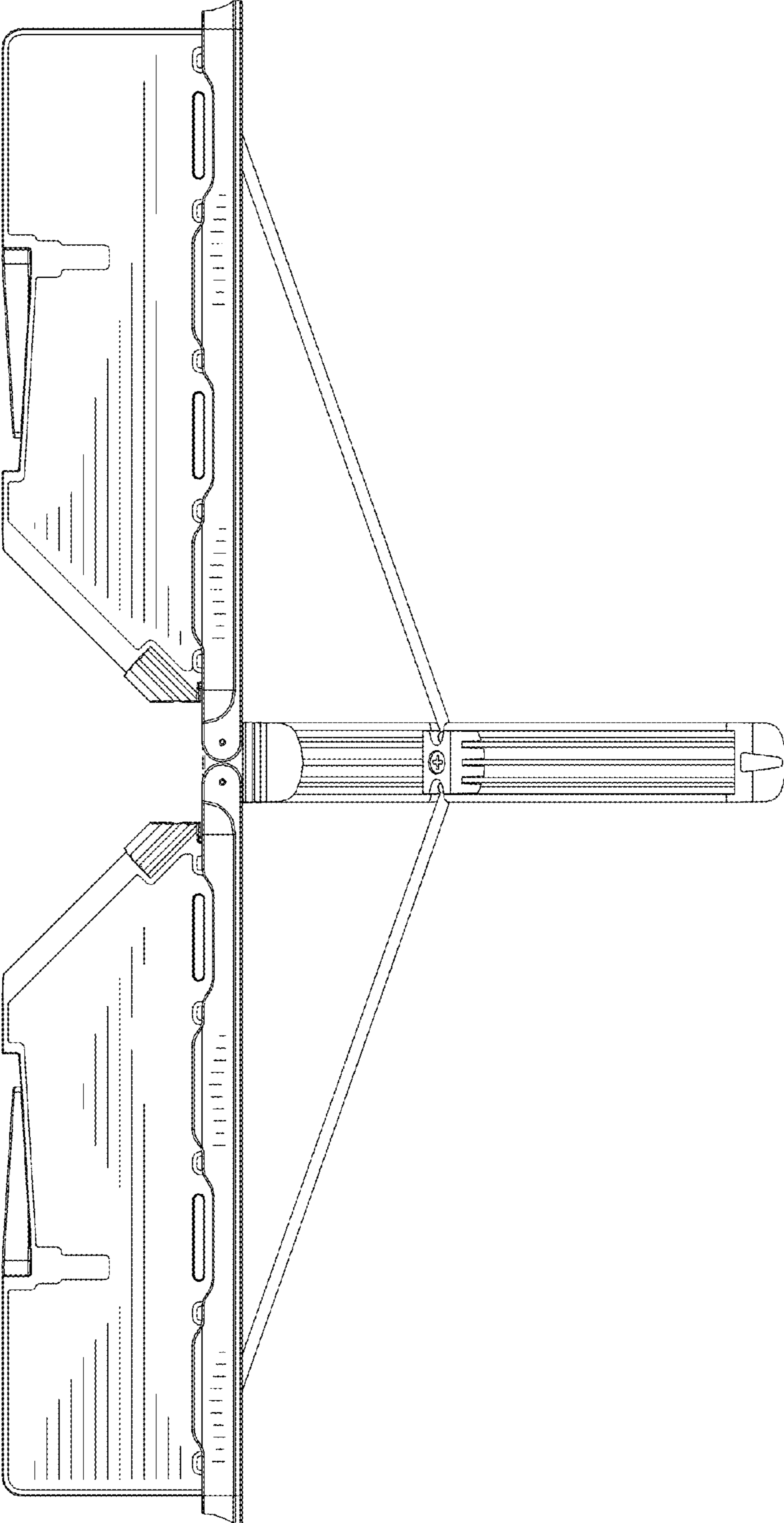


FIG. 8