



US00D692949S

(12) **United States Design Patent**  
**Shamoon**

(10) **Patent No.:** **US D692,949 S**  
(45) **Date of Patent:** **\*\* Nov. 5, 2013**

- (54) **CLIPBOARD STORAGE CONTAINER**
- (71) Applicant: **Ellis N. Shamoon**, Dallas, TX (US)
- (72) Inventor: **Ellis N. Shamoon**, Dallas, TX (US)
- (\*\*) Term: **14 Years**
- (21) Appl. No.: **29/450,300**
- (22) Filed: **Mar. 15, 2013**
- (51) **LOC (9) Cl.** ..... **19-02**
- (52) **U.S. Cl.**  
USPC ..... **D19/88**
- (58) **Field of Classification Search**  
USPC ..... D3/273, 276, 282, 900; D7/698;  
D19/52, 88; 24/67 R; 40/341; 248/447,  
248/452; 281/45  
See application file for complete search history.

D397,870 S	9/1998	De Winter	
D398,650 S	9/1998	Shamoon	
5,887,902 A *	3/1999	Irwin et al. ....	281/45
D428,927 S	8/2000	Chang	
6,286,667 B1	9/2001	Lee	
D467,424 S *	12/2002	Hardigg et al. ....	D3/279
D467,425 S *	12/2002	Hardigg et al. ....	D3/279
D475,748 S	6/2003	Shamoon	
6,637,774 B2 *	10/2003	Gaska .....	281/45
D482,529 S *	11/2003	Hardigg et al. ....	D3/276
D487,579 S *	3/2004	Chen .....	D19/88
D492,358 S	6/2004	Chen	
D500,800 S	1/2005	Shamoon	
D502,316 S *	3/2005	Chen .....	D3/273
D510,389 S	10/2005	Shamoon	

(Continued)

**OTHER PUBLICATIONS**

Saunders Mfg. Co. Inc., SlimMate, web page, published before Mar. 15, 2013, retrieved May 16, 2013 from <http://www.saunders-usa.com/core/?brand=70&model=153>.

(Continued)

(56) **References Cited**

**U.S. PATENT DOCUMENTS**

D48,897 S	4/1916	Hubbard et al.	
D153,658 S	5/1949	Arbib	
2,500,468 A *	3/1950	Postell .....	24/67.7
3,977,744 A	8/1976	DeWitt	
D255,251 S	6/1980	Hansen et al.	
D261,903 S	11/1981	Mulder	
D262,151 S	12/1981	Sussman	
4,375,296 A *	3/1983	Chang .....	281/45
D271,725 S	12/1983	Sherer	
4,555,128 A	11/1985	White et al.	
4,645,163 A	2/1987	Zovar	
4,771,976 A	9/1988	Su	
D298,955 S	12/1988	Zovar	
4,863,034 A	9/1989	Contreras, Sr.	
4,892,334 A	1/1990	Sinclair	
D307,354 S	4/1990	Knotter et al.	
D313,819 S	1/1991	Craft, Jr. et al.	
D324,399 S	3/1992	Murphy	
D337,569 S	7/1993	Kando	
5,560,476 A	10/1996	Lee	
D379,477 S	5/1997	Shamoon	

*Primary Examiner* — Elizabeth Albert

(74) *Attorney, Agent, or Firm* — Daniel V. Thompson

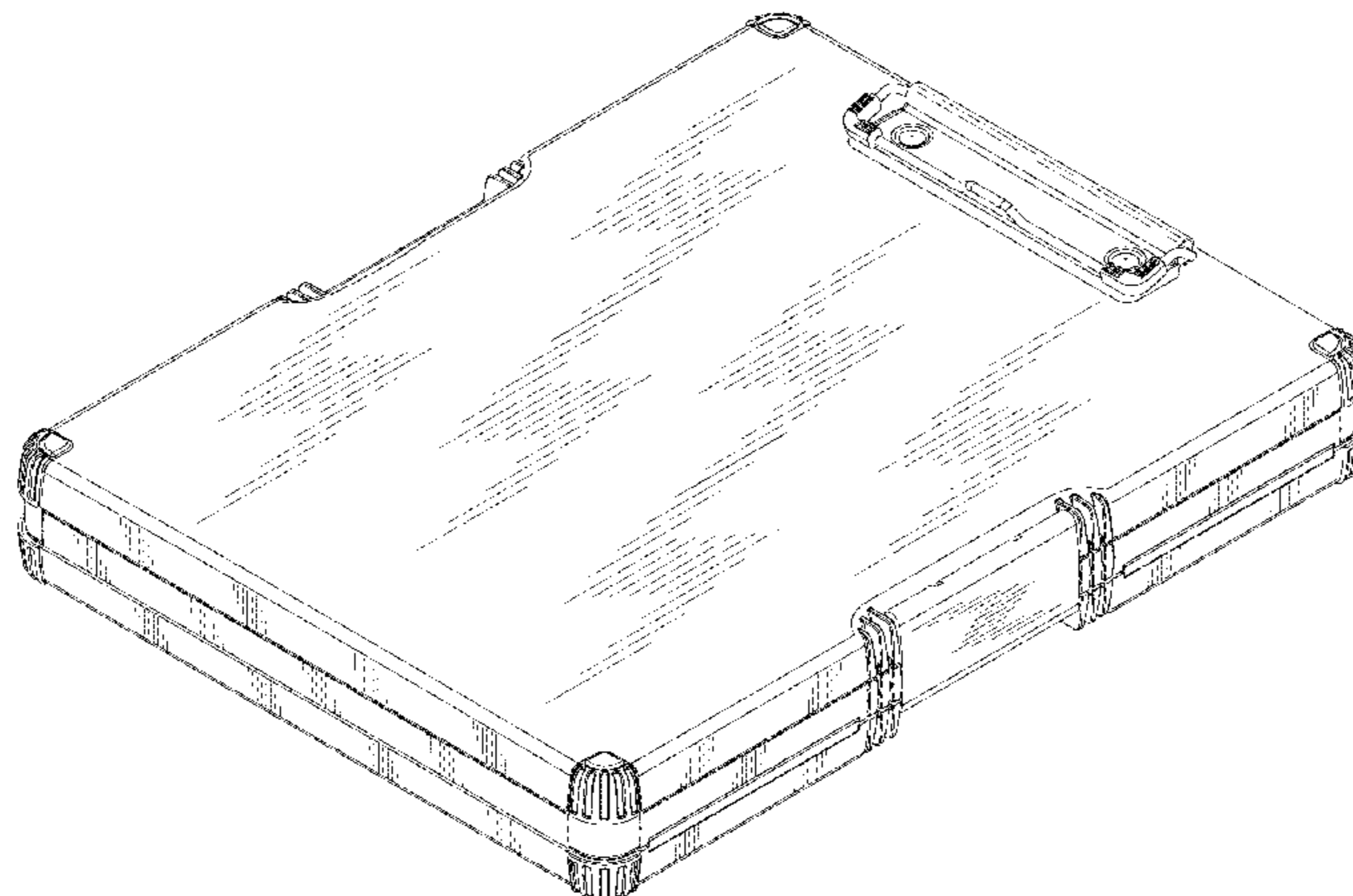
(57) **CLAIM**

The ornamental design for a clipboard storage container, as shown and described.

**DESCRIPTION**

FIG. 1 is a top-facing perspective view of a clipboard storage container showing my new design;  
FIG. 2 is a top plan view thereof;  
FIG. 3 is a bottom plan view thereof;  
FIG. 4 is a front elevational view thereof;  
FIG. 5 is a rear elevational view thereof;  
FIG. 6 is a right-side elevational view thereof; and,  
FIG. 7 is a left-side elevational view thereof.

**1 Claim, 5 Drawing Sheets**



(56)

References Cited

U.S. PATENT DOCUMENTS

D514,308 S 2/2006 Wahl et al.  
 D525,488 S 7/2006 McWhorter  
 D527,182 S 8/2006 Ham  
 D558,757 S 1/2008 Andre et al.  
 D565,298 S 4/2008 Braun  
 D566,395 S 4/2008 Langer et al.  
 D575,347 S 8/2008 Fedon  
 D575,826 S \* 8/2008 Chen et al. .... D19/88  
 D580,990 S 11/2008 Chang  
 D582,675 S 12/2008 Nelson  
 D586,400 S 2/2009 Shamoon  
 D592,398 S 5/2009 Roesler  
 D595,712 S 7/2009 Guery et al.  
 D599,856 S 9/2009 Chen et al.  
 D601,558 S 10/2009 Andre et al.  
 D601,631 S 10/2009 Kent  
 D610,346 S 2/2010 Eriksen et al.  
 D615,083 S 5/2010 Andre et al.  
 D618,240 S 6/2010 Larmour et al.  
 D627,343 S 11/2010 Andre et al.  
 D630,630 S 1/2011 Andre et al.  
 D633,091 S 2/2011 Andre et al.  
 7,918,576 B2 \* 4/2011 Leanza ..... 362/99  
 D637,813 S 5/2011 Liang  
 D640,058 S 6/2011 Molina  
 D640,219 S 6/2011 Sutherland et al.  
 D647,969 S 11/2011 Shamoon

2007/0205115 A1 9/2007 Lee  
 2010/0084848 A1 \* 4/2010 Nguyen ..... 281/49  
 2012/0091308 A1 \* 4/2012 Small et al. .... 248/452

OTHER PUBLICATIONS

Saunders Mfg. Co. Inc., DeskMate II, web page, published before Mar. 15, 2013, retrieved May 16, 2013 from <http://www.saunders-usa.com/core/?brand=70&model=75>.  
 Saunders Mfg. Co. Inc., DeskMate, web page, published before Mar. 15, 2013, retrieved May 16, 2013 from <http://www.saunders-usa.com/core/?sku=00468>.  
 Saunders Mfg. Co. Inc., WorkMate, web page, published before Mar. 15, 2013, retrieved May 16, 2013 from <http://www.saunders-usa.com/core/?brand=70&model=72>.  
 Saunders Mfg. Co. Inc., WorkMate II, web page, published before Mar. 15, 2013, retrieved May 16, 2013 from <http://www.saunders-usa.com/core/?brand=70&model=73>.  
 Saunders Mfg. Co. Inc., RingMate, web page, published before Mar. 15, 2013, retrieved May 16, 2013 from <http://www.saunders-usa.com/core/?brand=70&model=297>.  
 Tung-Yung International, Storage Clipboard, web page, published before Mar. 15, 2013, retrieved May 16, 2013 from <http://www.eagle-tungyung.com/2012/en/detail.php?id=283>.  
 Tung-Yung International, Storage Clipboard, web page, published before Mar. 15, 2013, photo from existing sample taken May 16, 2013 at Texas.  
 Gift and Tableware Reporter, Sep. 7, 1967, p. 25, "Clip Caddy".

\* cited by examiner

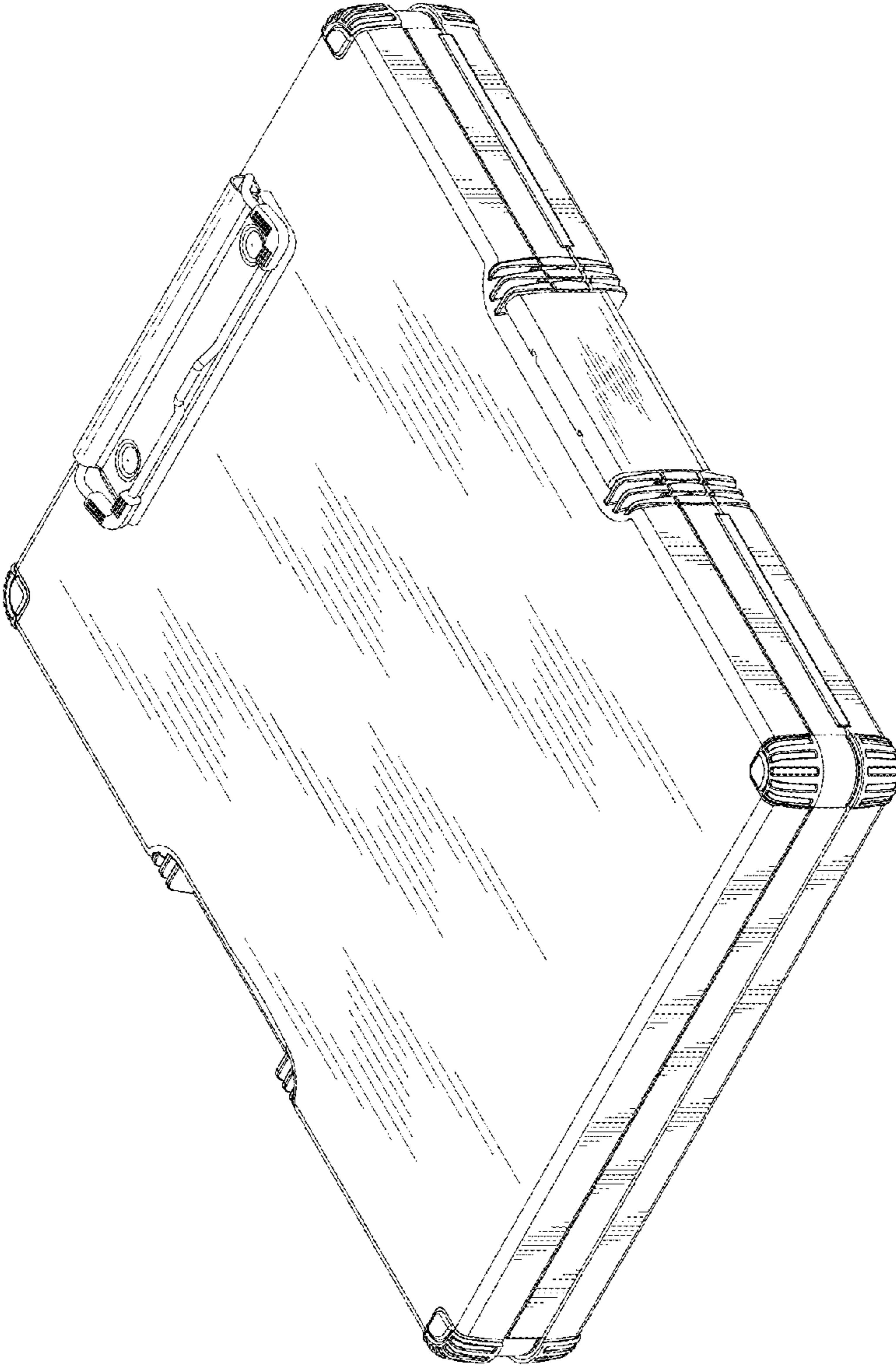


Fig. 1

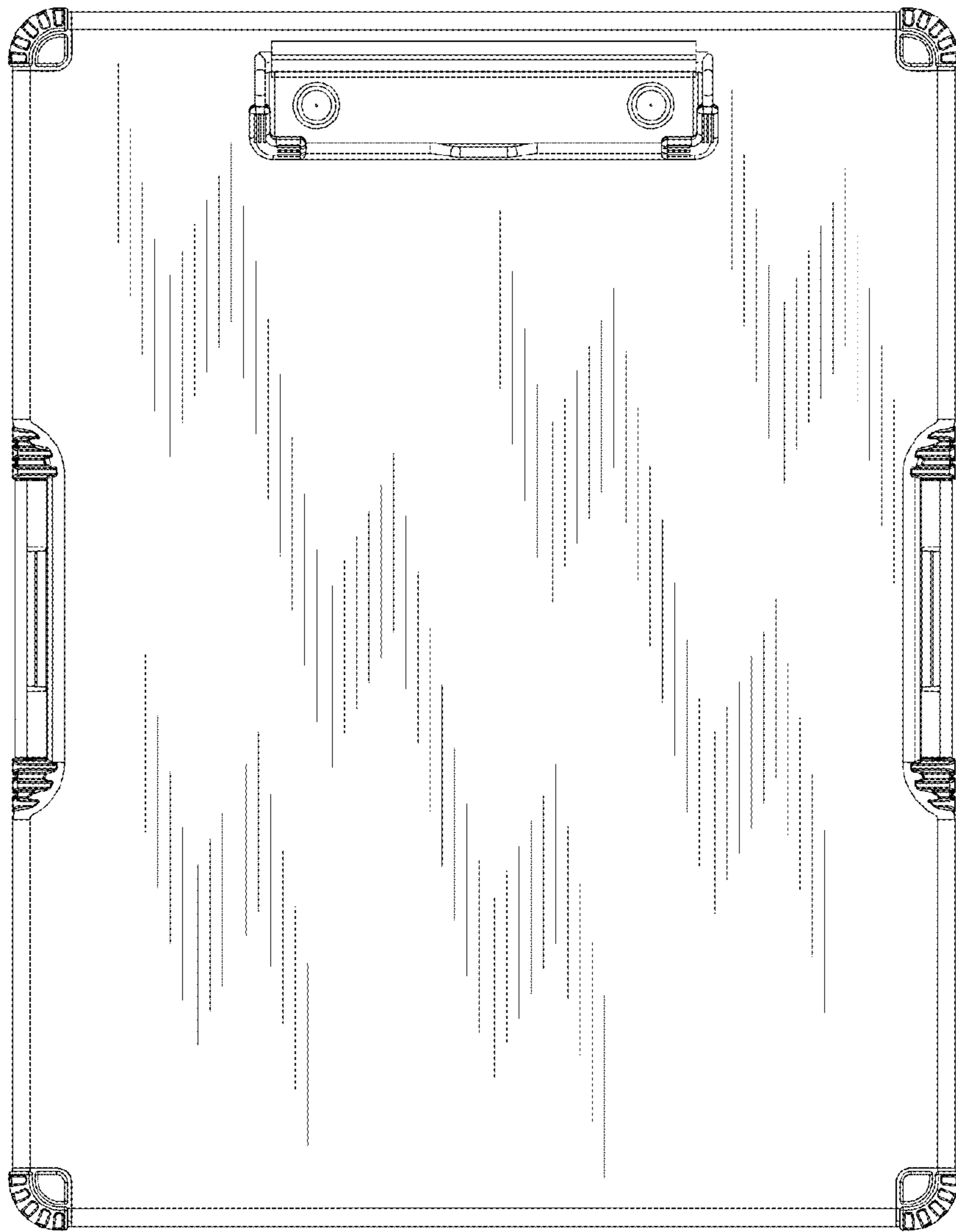


Fig. 2

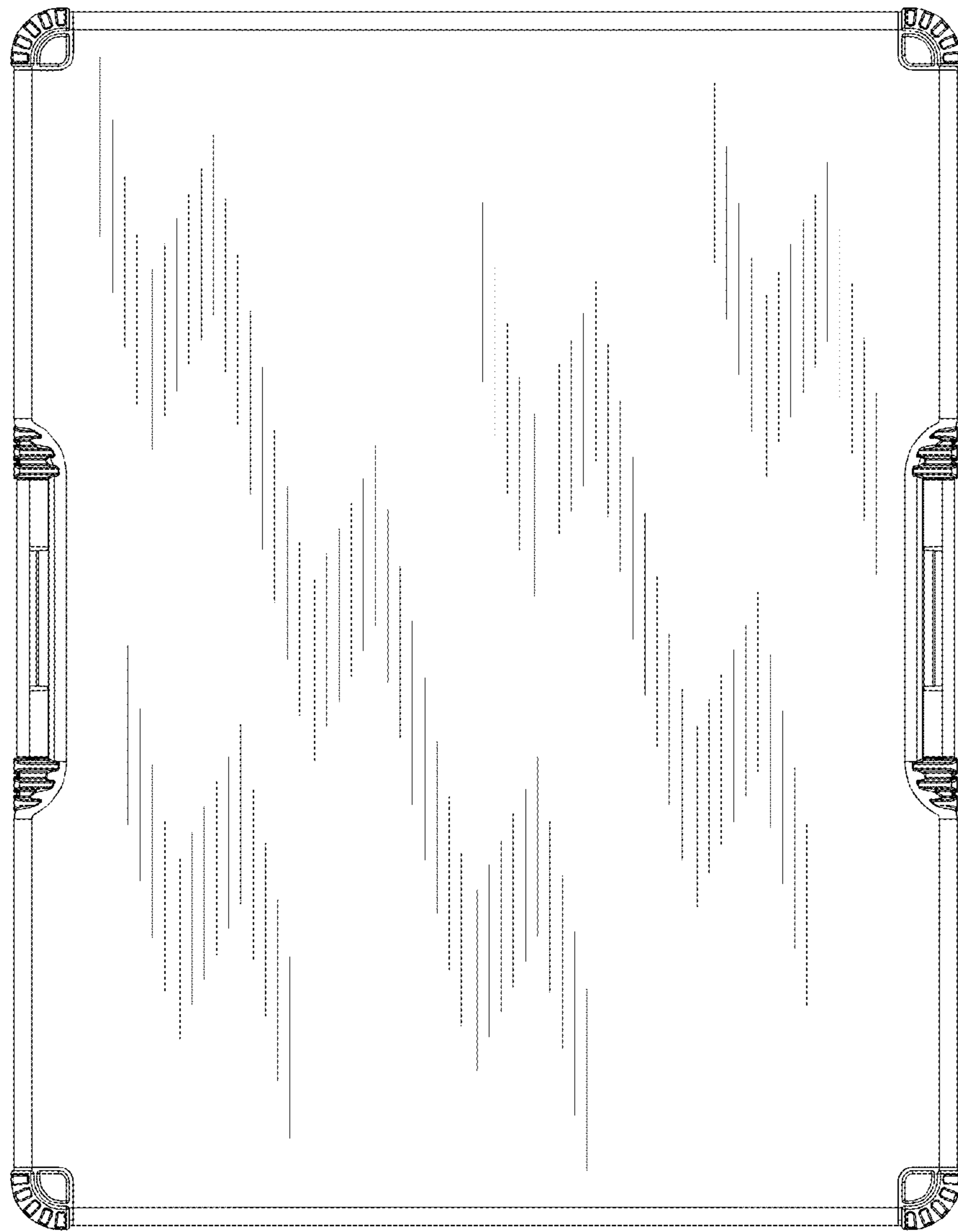


Fig. 3

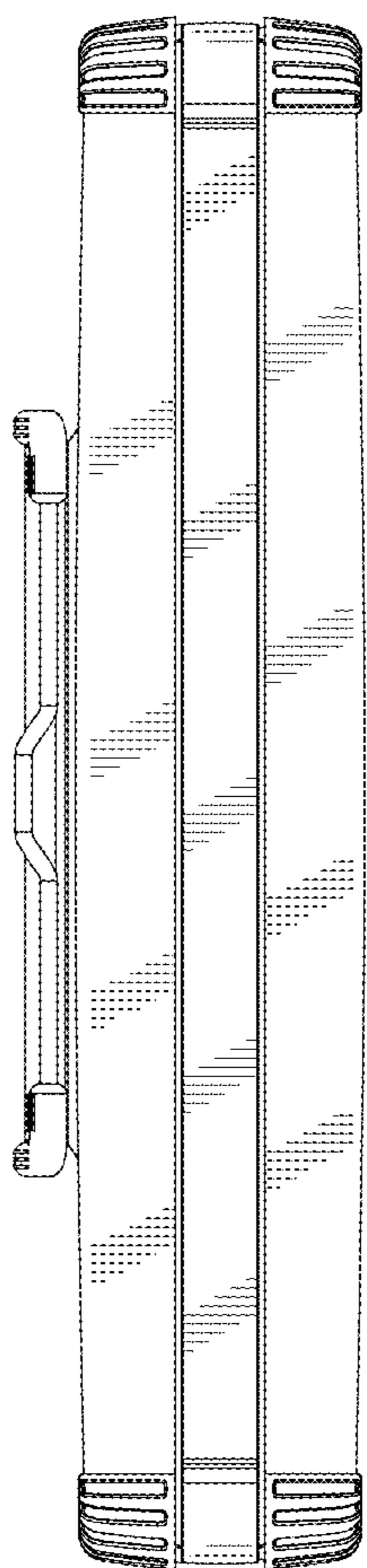


Fig. 4

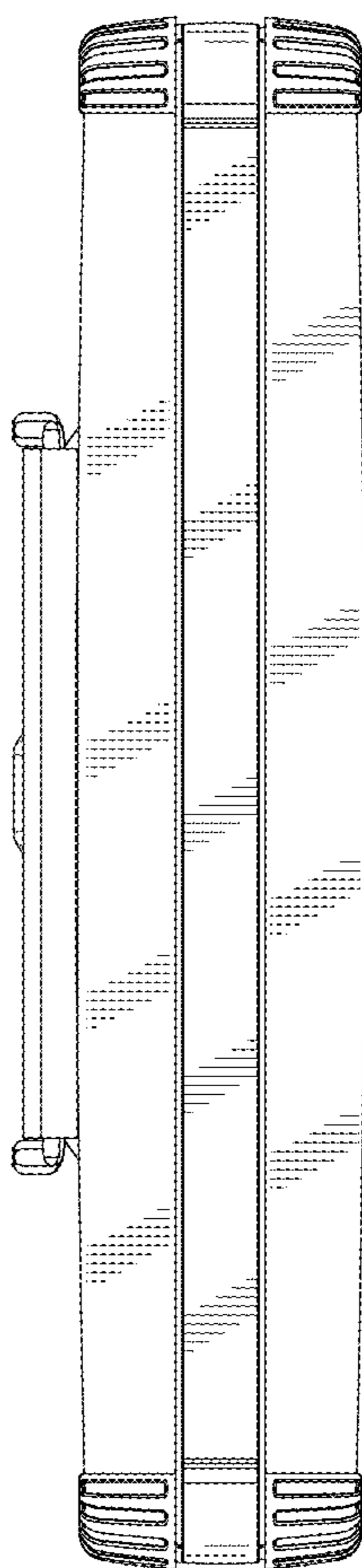


Fig. 5

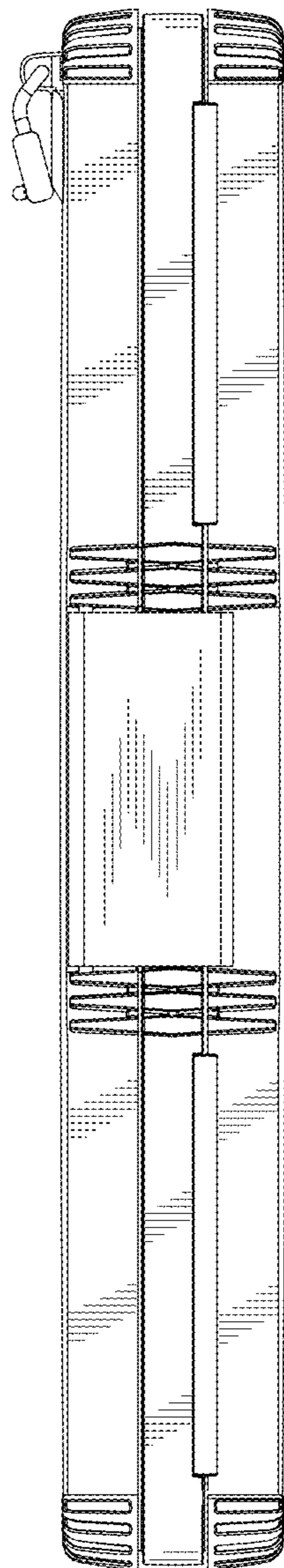


Fig. 6

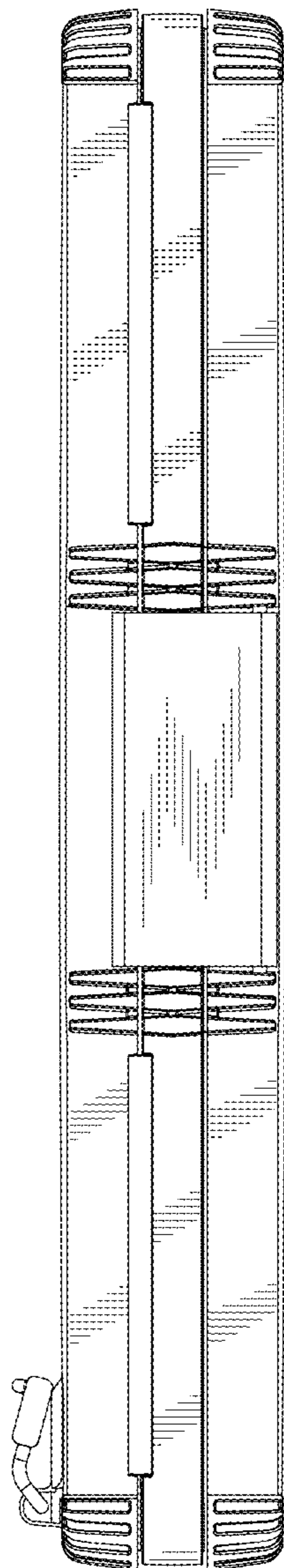


Fig. 7