



US00D692947S

(12) **United States Design Patent**
Nozawa et al.

(10) **Patent No.:** **US D692,947 S**
(45) **Date of Patent:** **** Nov. 5, 2013**

(54) **INK CARTRIDGE**

D650,419 S * 12/2011 Butler et al. D18/56
D650,420 S * 12/2011 Butler et al. D18/56

(71) Applicant: **Seiko Epson Corporation**, Tokyo (JP)

* cited by examiner

(72) Inventors: **Izumi Nozawa**, Matsumoto (JP);
Tadahiro Mizutani, Shiojiri (JP);
Atsushi Kobayashi, Matsumoto (JP)

Primary Examiner — Cathy A MacCormac

(73) Assignee: **Seiko Epson Corporation**, Tokyo (JP)

(57) **CLAIM**

The ornamental design for an ink cartridge, as shown and described.

(**) Term: **14 Years**

DESCRIPTION

(21) Appl. No.: **29/446,474**

FIG. 1 is a front, top and left side perspective view of a first embodiment of an ink cartridge showing our new design; FIG. 2 is a rear, bottom and right side perspective view thereof;

(22) Filed: **Feb. 25, 2013**

FIG. 3 is a front view thereof;

(30) **Foreign Application Priority Data**

Aug. 31, 2012 (JP) 2012-021046

FIG. 4 is a rear view thereof;

(51) **LOC (9) Cl.** **18-02**

FIG. 5 is a top plan view thereof;

(52) **U.S. Cl.**

USPC **D18/56**

FIG. 6 is a bottom plan view thereof;

(58) **Field of Classification Search**

USPC D18/40, 43, 56; 347/86–87
See application file for complete search history.

FIG. 7 is a left side view thereof;

FIG. 8 is a right side view thereof; and,

FIG. 9 is a rear, bottom and right side perspective view of a second embodiment of an ink cartridge showing our new design.

(56) **References Cited**

U.S. PATENT DOCUMENTS

D401,621 S * 11/1998 Shimizu et al. D18/56
D438,896 S * 3/2001 Shinada et al. D18/56

The features shown in broken lines in the drawings depict environmental subject matter only and form no part of the claimed design. The dot-dashed lines define the boundaries of the claimed design and form no part thereof.

1 Claim, 9 Drawing Sheets

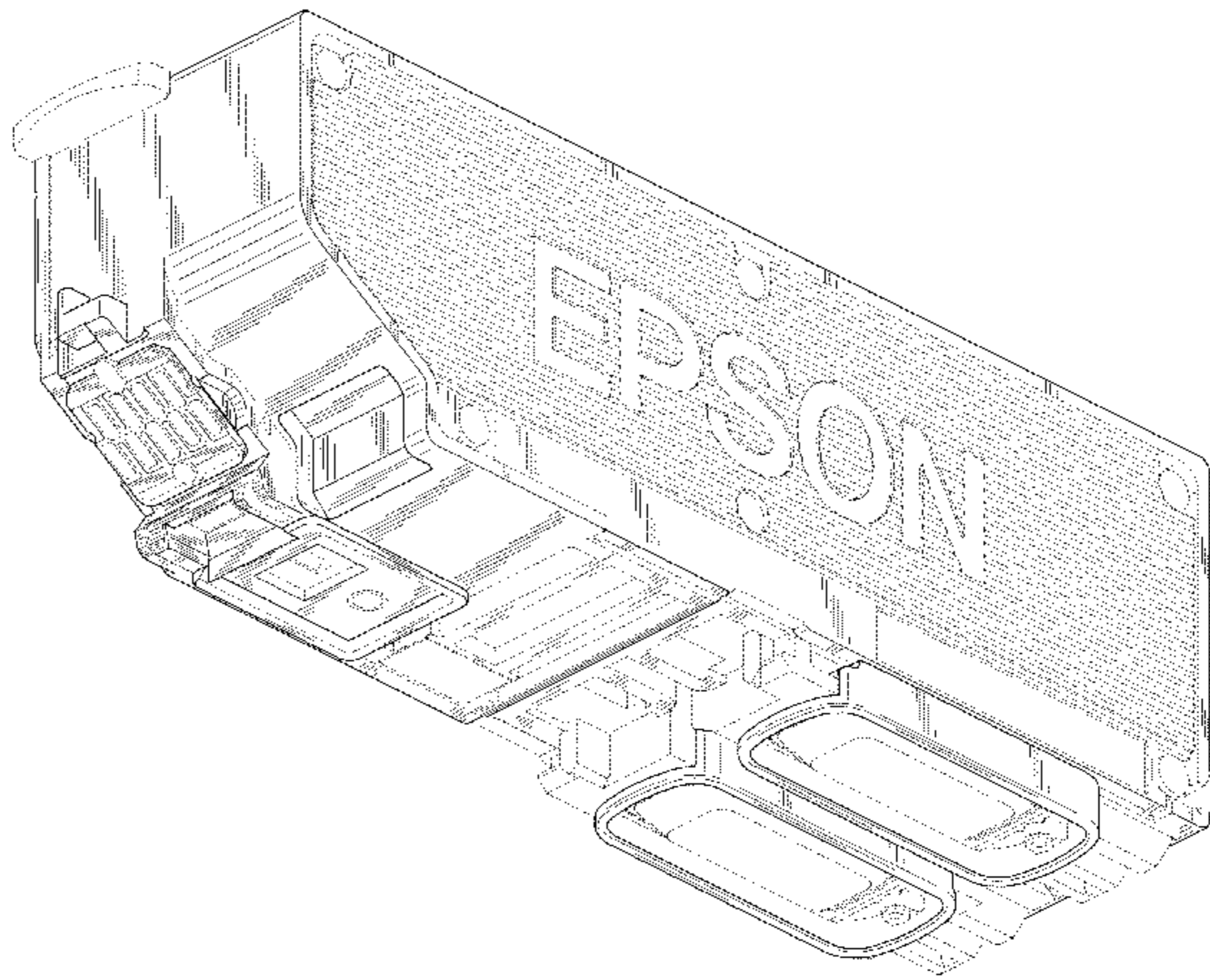
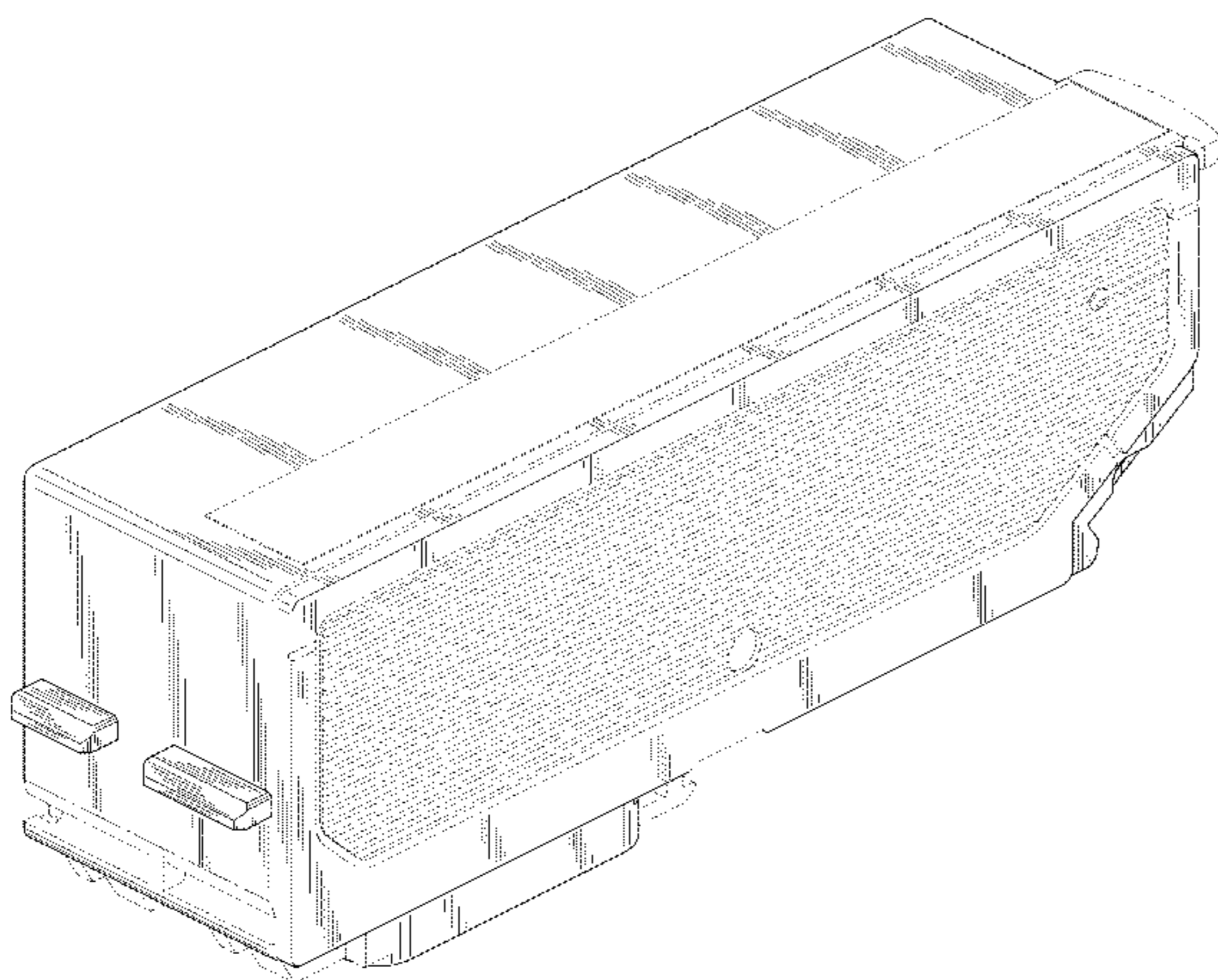


FIG. 1

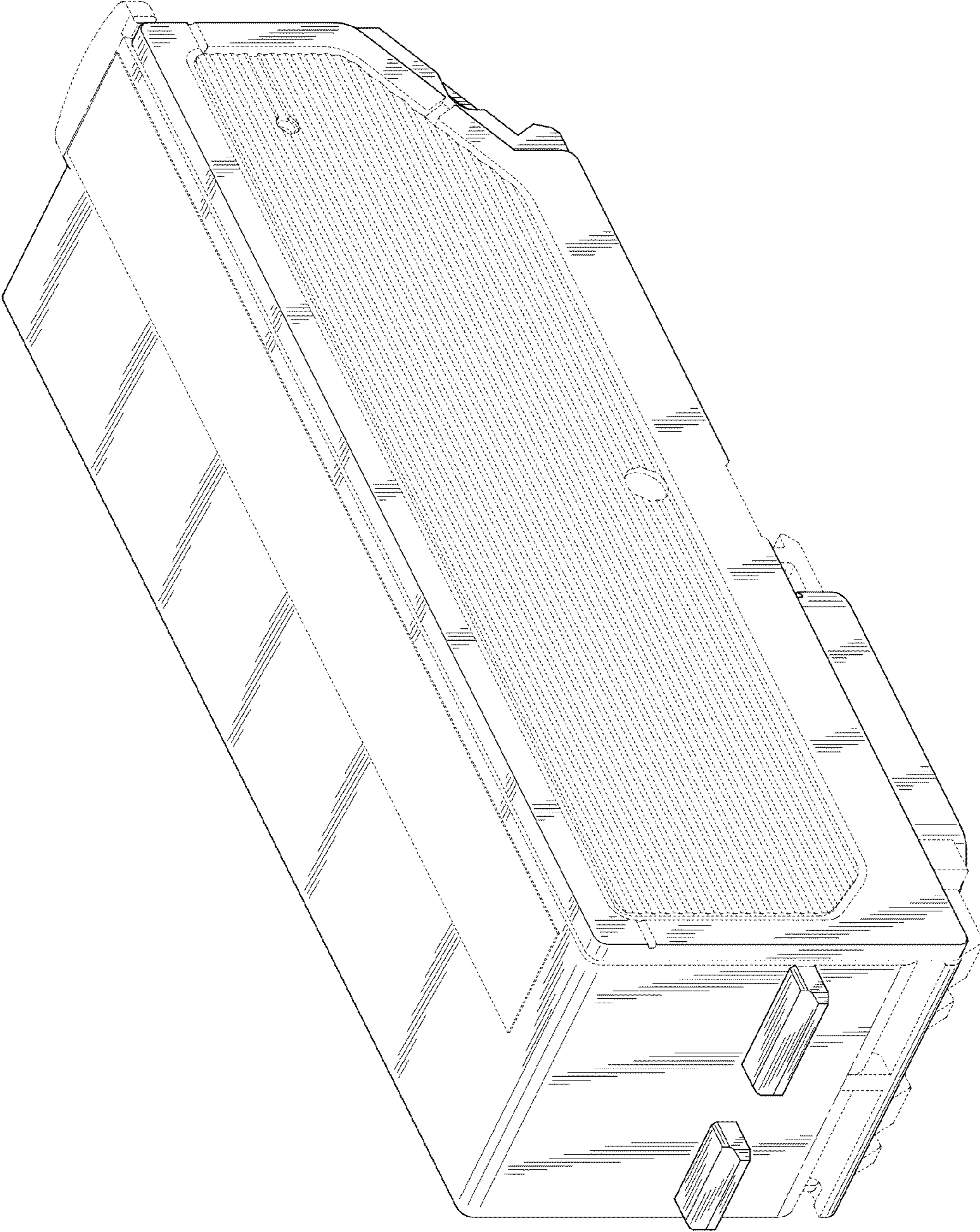


FIG. 2

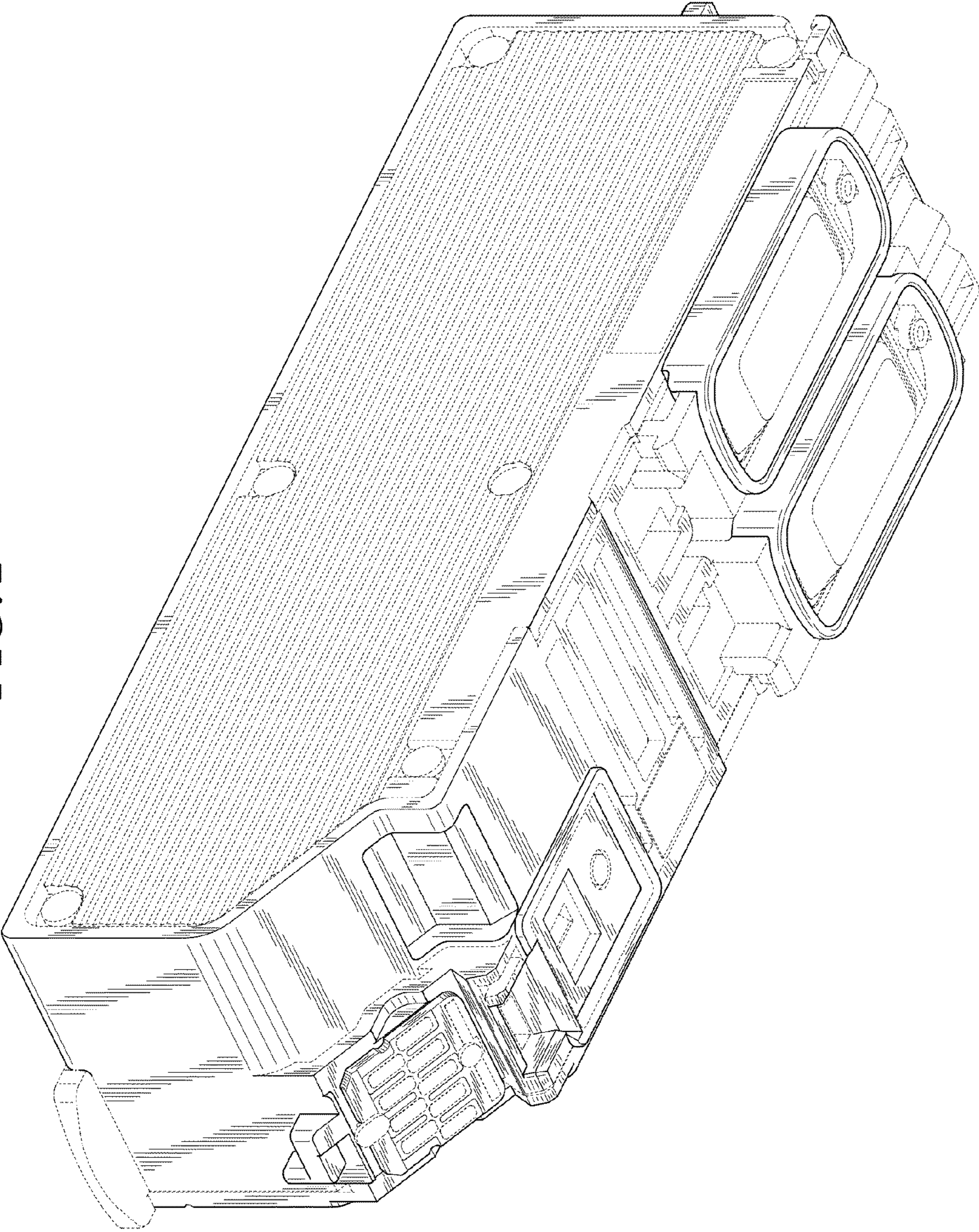


FIG. 3

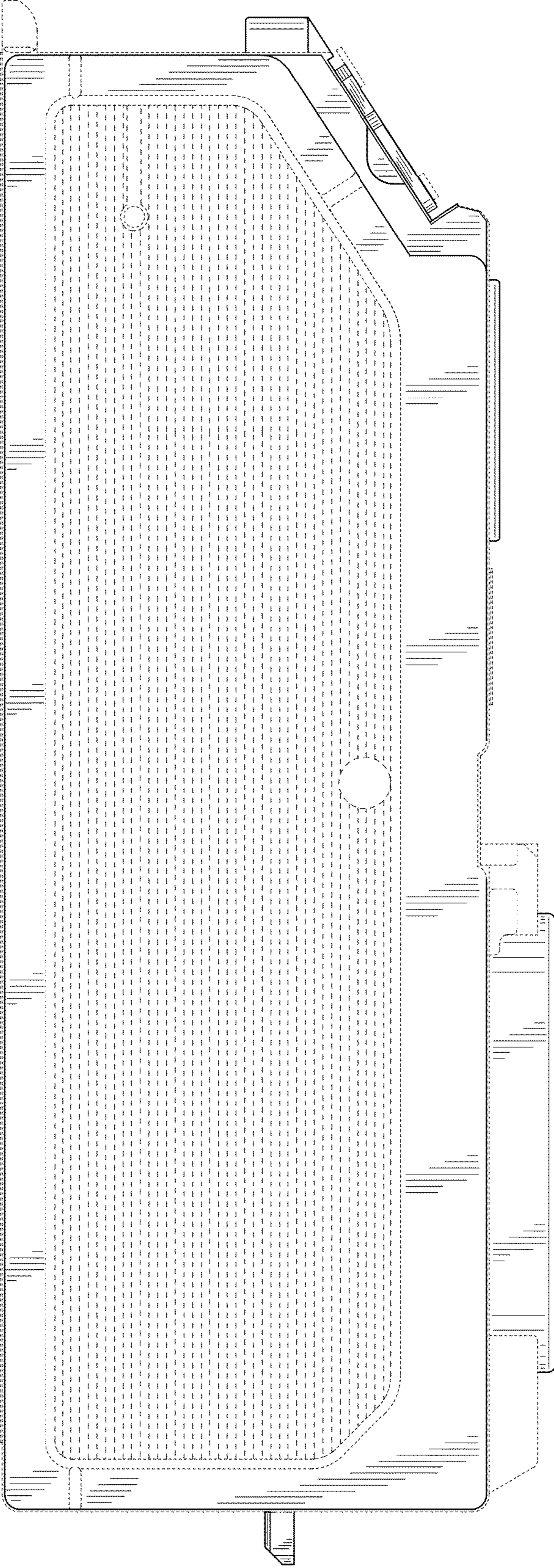


FIG. 4

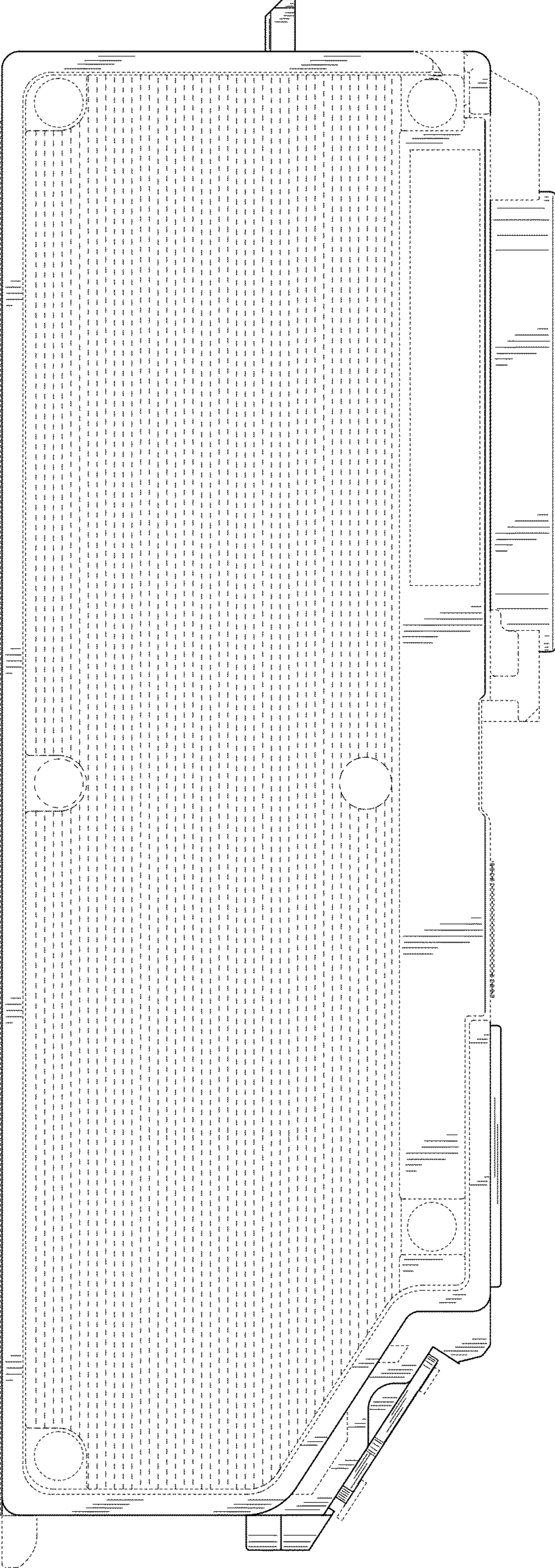


FIG. 5

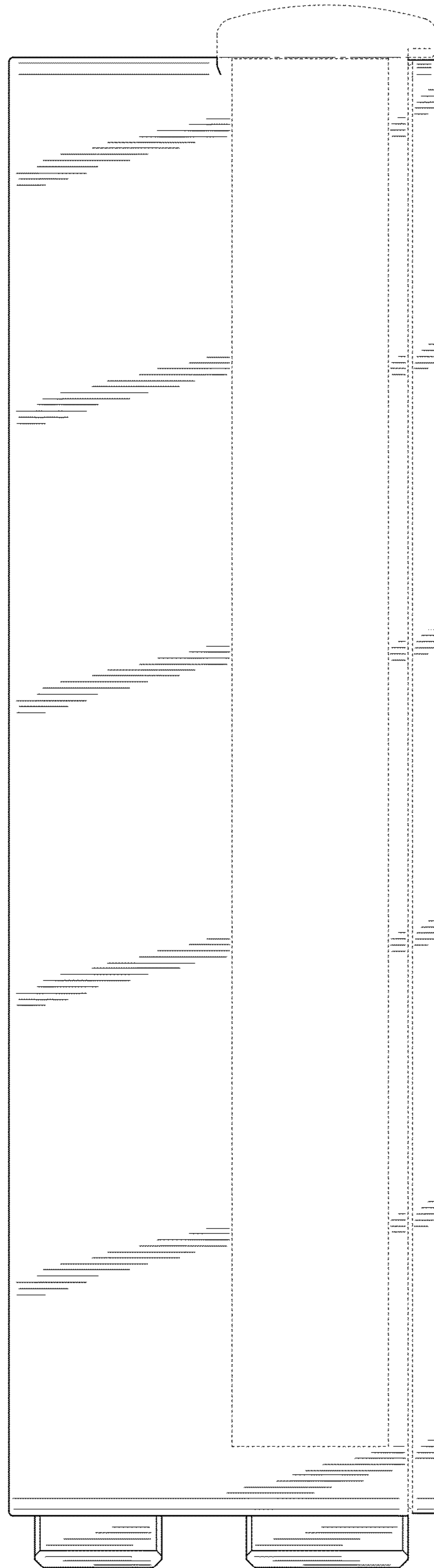


FIG. 6

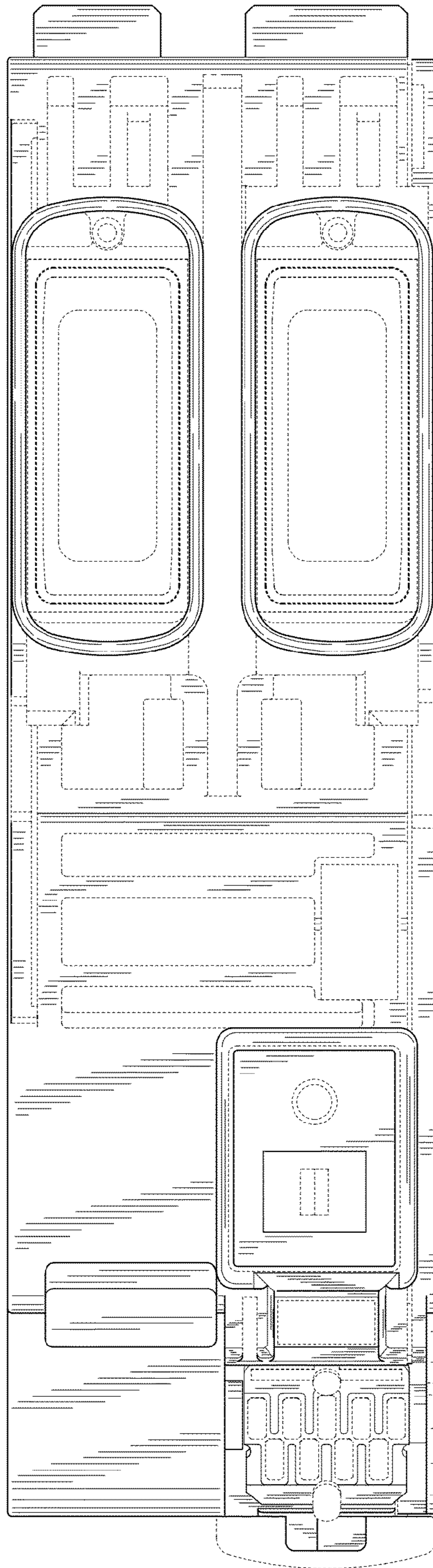


FIG. 7

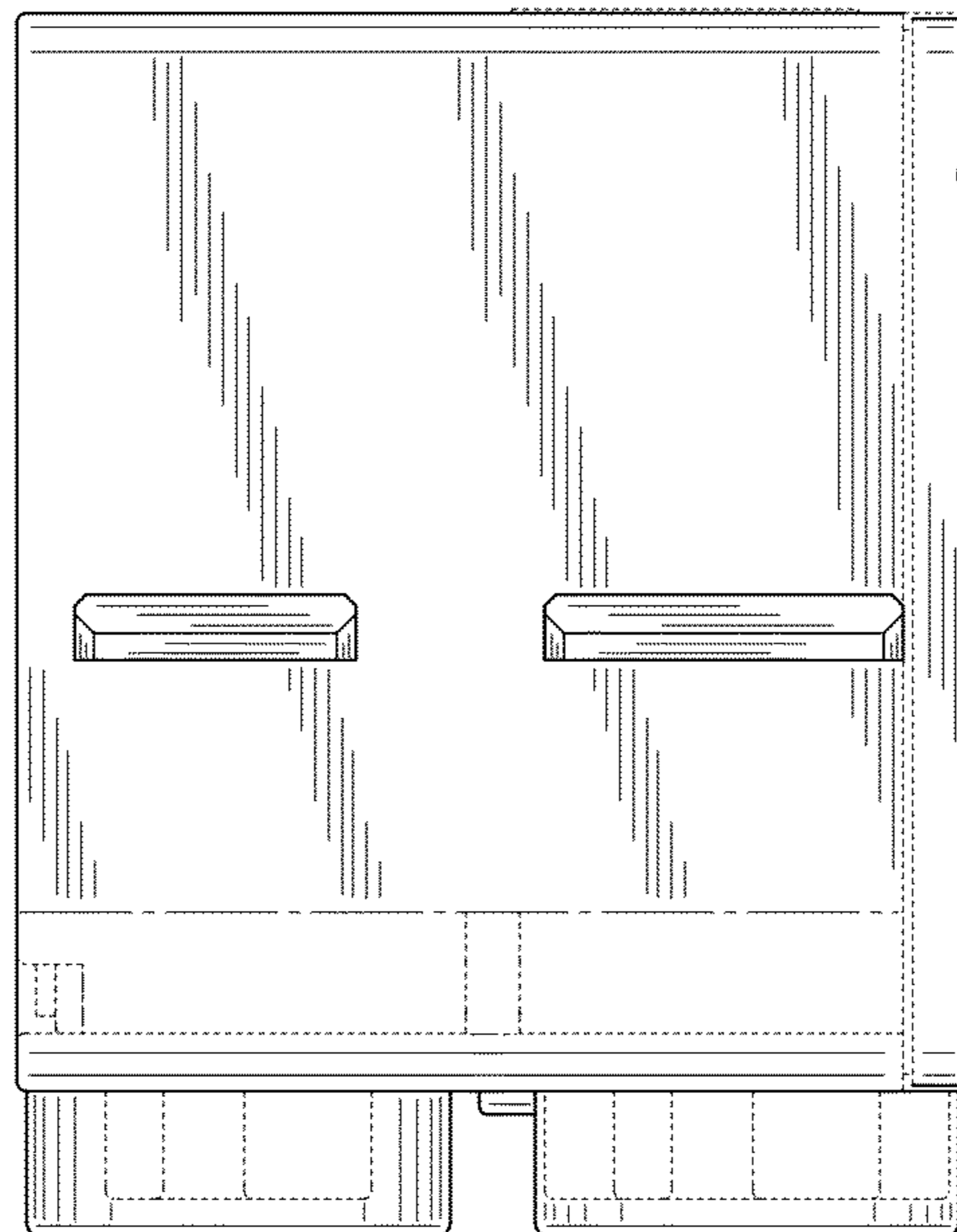


FIG. 8

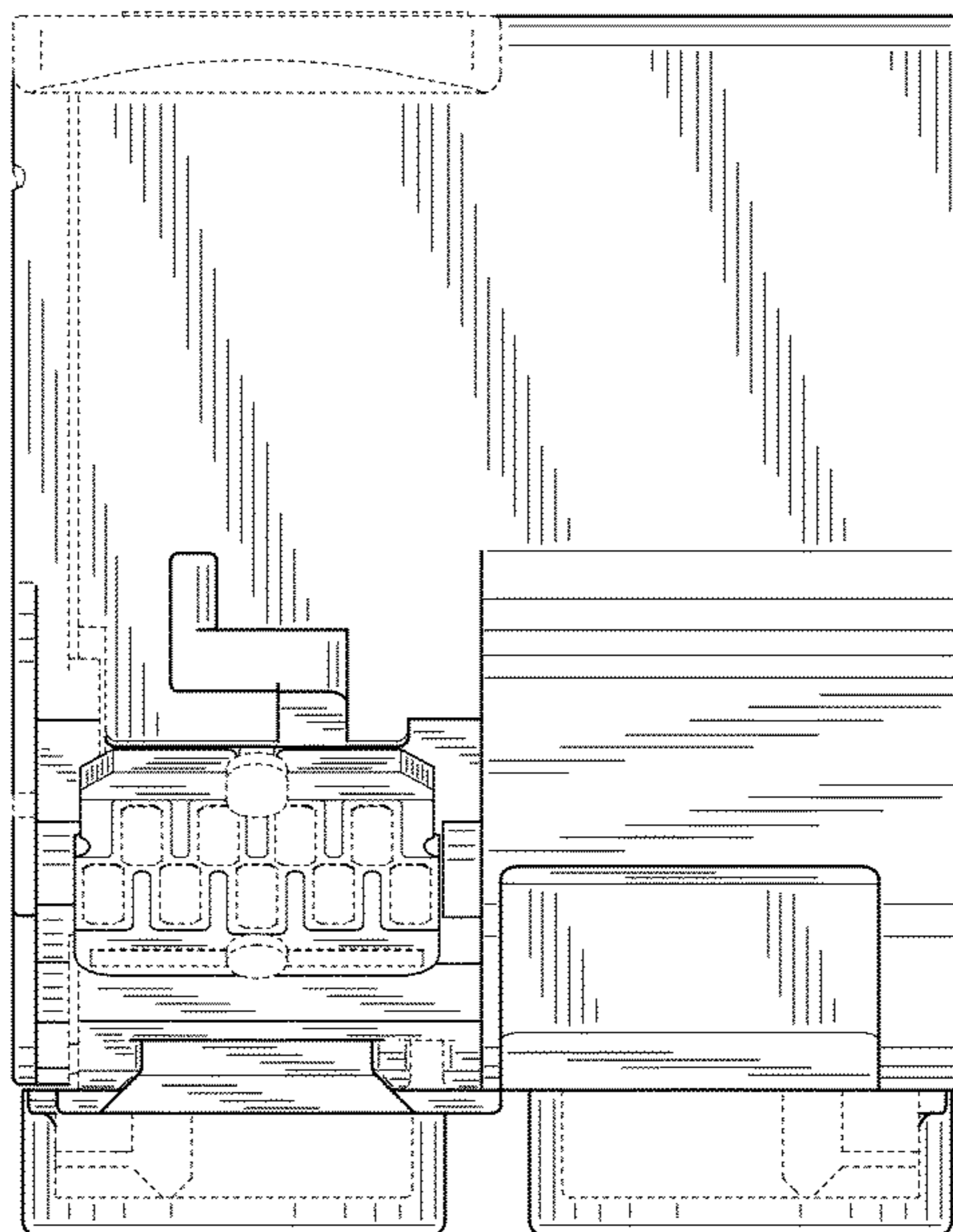


FIG. 9

