



US00D692943S

(12) **United States Design Patent**
Tatsumi

(10) **Patent No.:** **US D692,943 S**

(45) **Date of Patent:** **** Nov. 5, 2013**

(54) **ELECTRONIC DRUM PAD**

(75) Inventor: **Keizo Tatsumi**, Hamamatsu (JP)

(73) Assignee: **Yamaha Corporation**, Shizuoka (JP)

(**) Term: **14 Years**

(21) Appl. No.: **29/432,091**

(22) Filed: **Sep. 13, 2012**

(30) **Foreign Application Priority Data**

Mar. 22, 2012 (JP) 2012-006395

Mar. 22, 2012 (JP) 2012-006397

(51) **LOC (9) Cl.** **17-04**

(52) **U.S. Cl.**
USPC **D17/22**

(58) **Field of Classification Search**
USPC D17/22, 99; 84/411 R, 415, 419, 420,
84/411 M, 411 P; D21/405
See application file for complete search history.

(56) **References Cited**

U.S. PATENT DOCUMENTS

D301,893 S *	6/1989	Hargrove	D17/22
D455,453 S *	4/2002	Fukuoka et al.	D17/22
D455,775 S *	4/2002	Fukuoka et al.	D17/22
D460,941 S *	7/2002	Muzzarelli	D12/211
D526,001 S *	8/2006	Scharte	D17/22
D552,162 S *	10/2007	Fukuoka et al.	D17/22
D577,761 S *	9/2008	Nakao et al.	D17/22
D597,589 S *	8/2009	Onishi	D17/22
D606,045 S *	12/2009	Skillings	D14/217
D607,921 S *	1/2010	Onishi	D17/22
D649,182 S *	11/2011	Chambers	D17/22

OTHER PUBLICATIONS

U.S. Appl. No. 29/432,114, Keizo Tatsumi, filed Sep. 13, 2012.

* cited by examiner

Primary Examiner — Rashida Johnson

(74) *Attorney, Agent, or Firm* — Sughrue Mion, PLLC

(57) **CLAIM**

The ornamental design for an electronic drum pad, as shown and described.

DESCRIPTION

FIG. 1 is a perspective view of the front, top and right side of an electronic drum pad according to a first embodiment showing my new design;

FIG. 2 is a front view thereof;

FIG. 3 is a rear view thereof;

FIG. 4 is a left side view thereof;

FIG. 5 is a right side view thereof;

FIG. 6 is a top plan view thereof;

FIG. 7 is a bottom view thereof;

FIG. 8 is a cross sectional view taken along line 8-8 in FIG. 6;

FIG. 9 is a perspective view of the front, top and right side of an electronic drum pad according to a second embodiment showing my new design;

FIG. 10 is a front view thereof;

FIG. 11 is a rear view thereof;

FIG. 12 is a left side view thereof;

FIG. 13 is a right side view thereof;

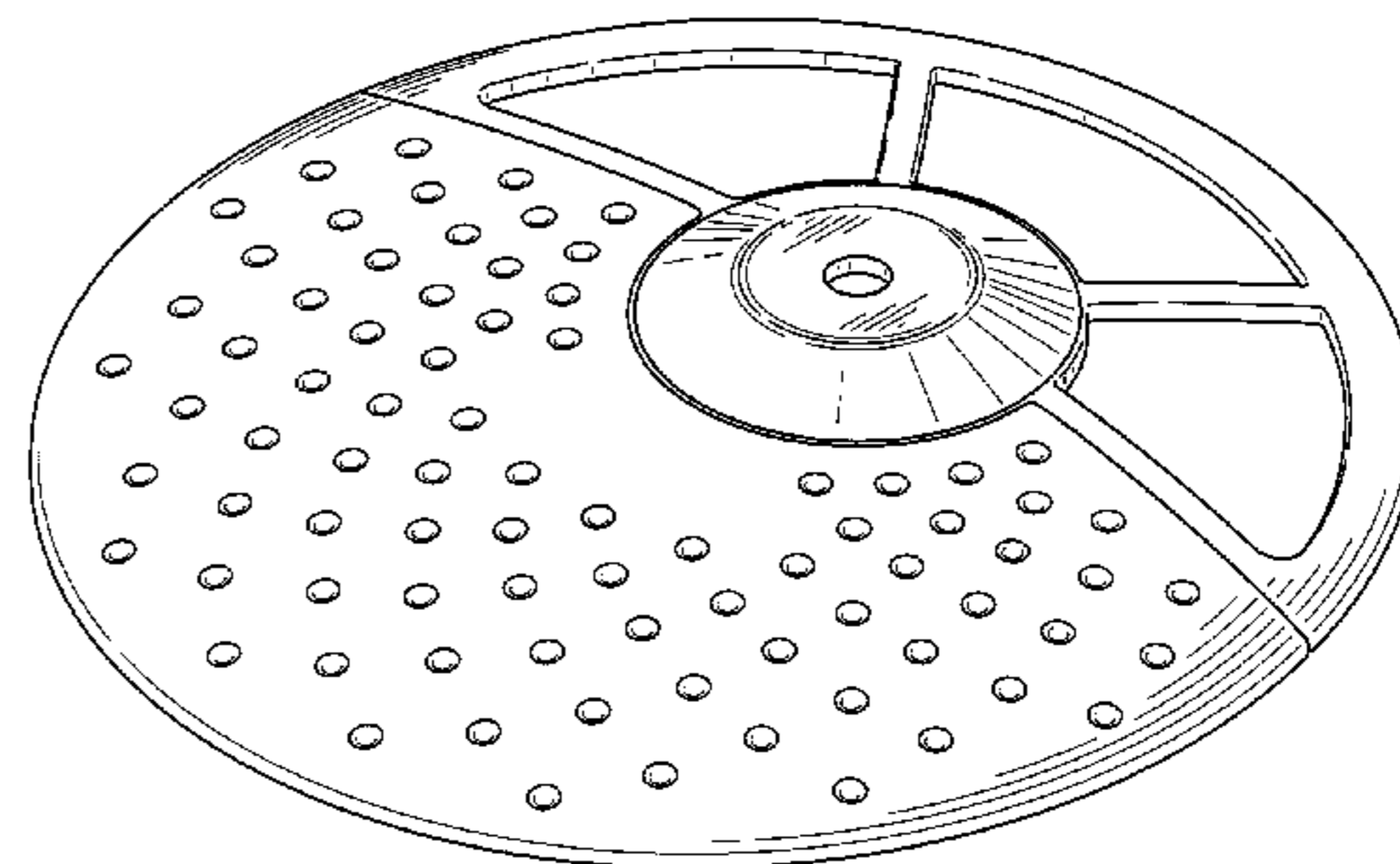
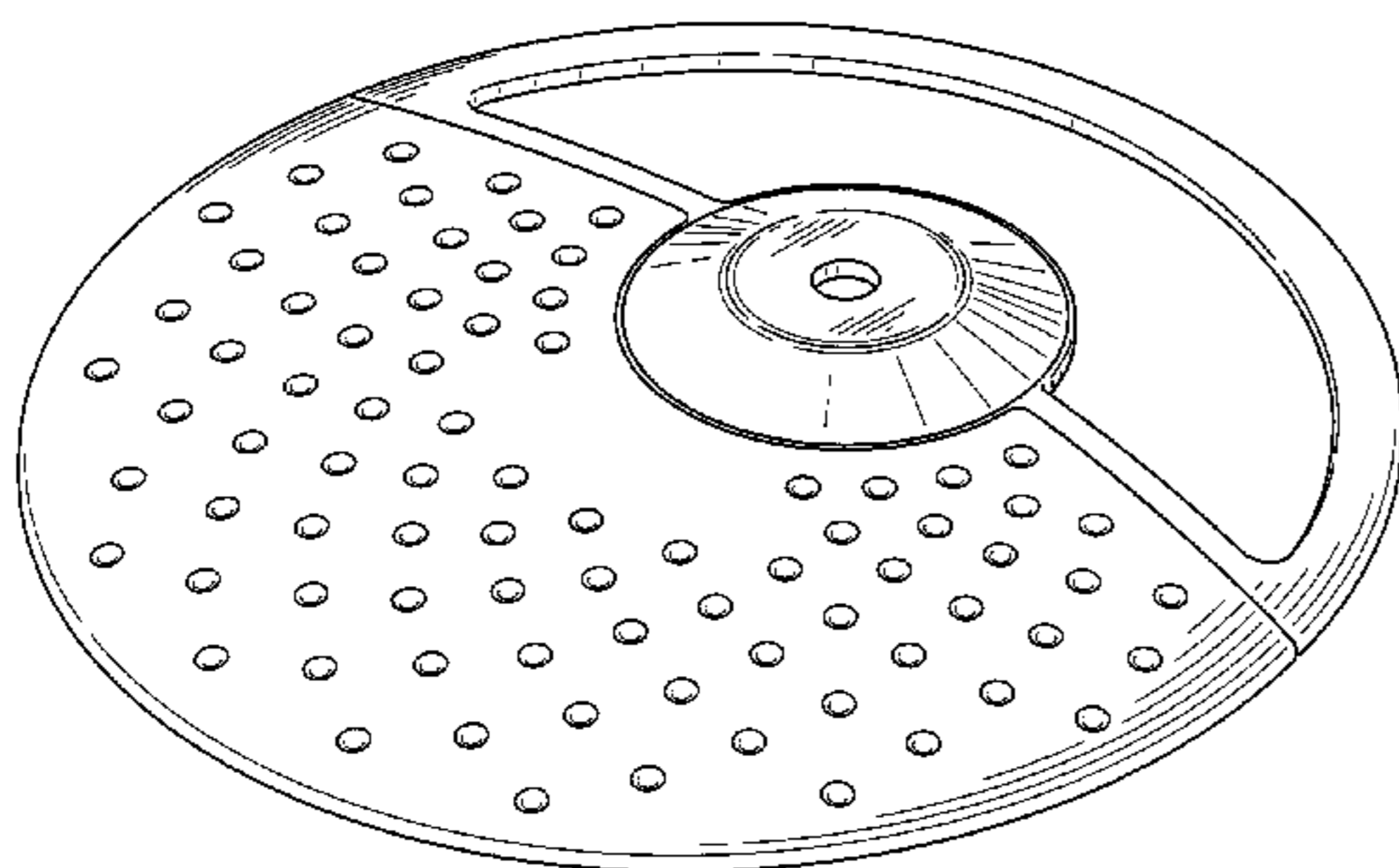
FIG. 14 is a top plan view thereof;

FIG. 15 is a bottom view thereof; and,

FIG. 16 is a cross sectional view taken along line 16-16 in FIG. 14.

The broken line showing of the electronic drum pad is included for the purpose of illustrating portions of the electronic drum pad and forms no part of the claimed design.

1 Claim, 10 Drawing Sheets



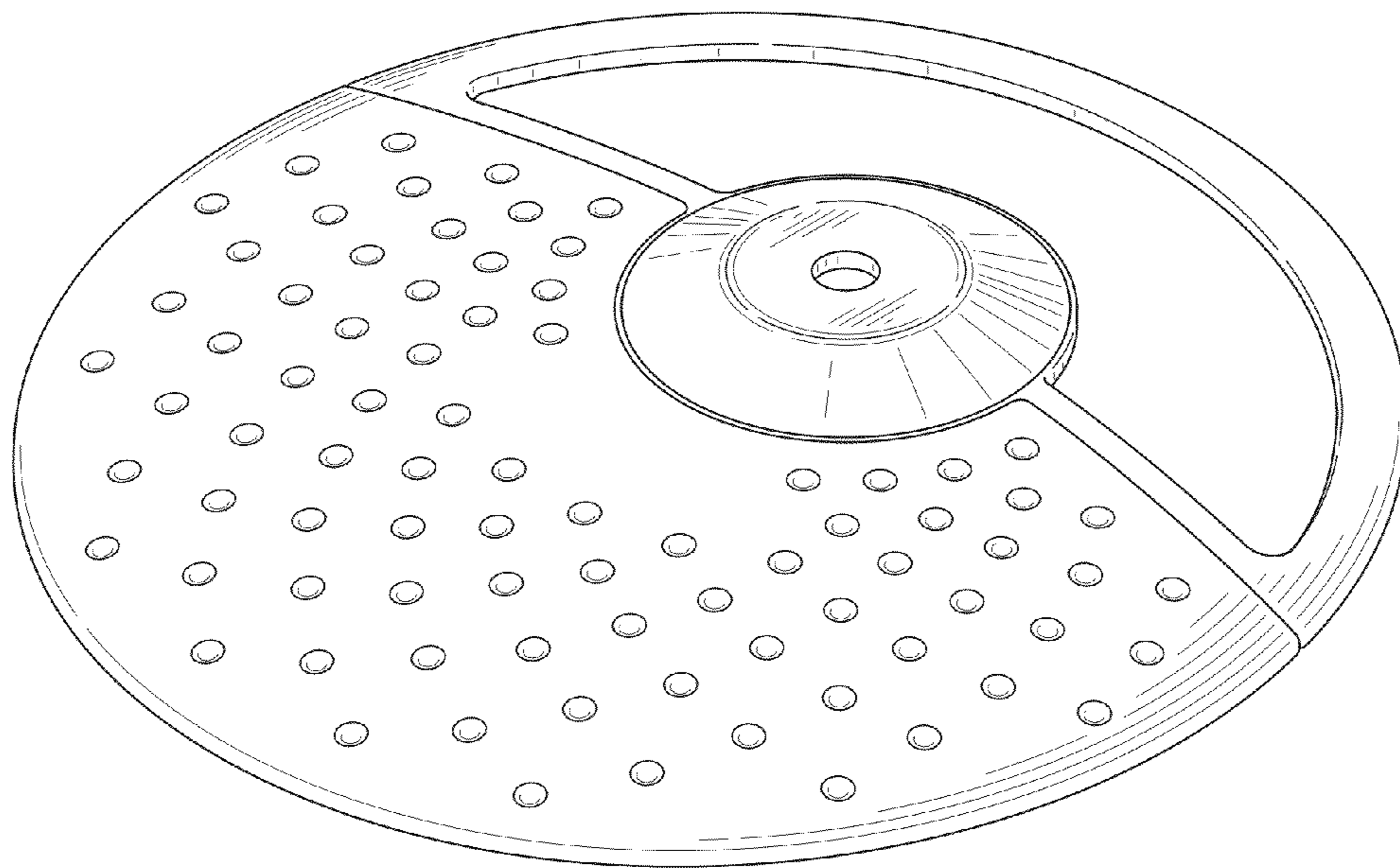


FIG. 1

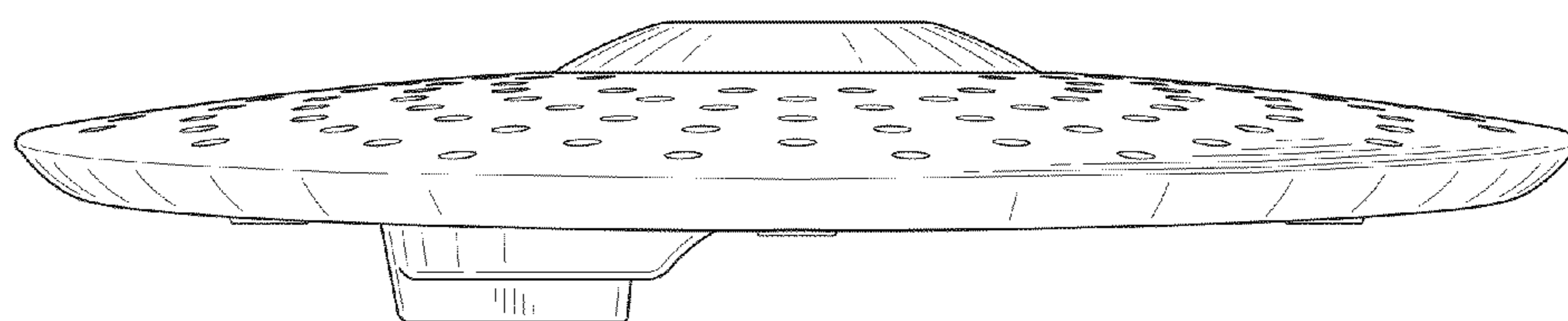


FIG. 2

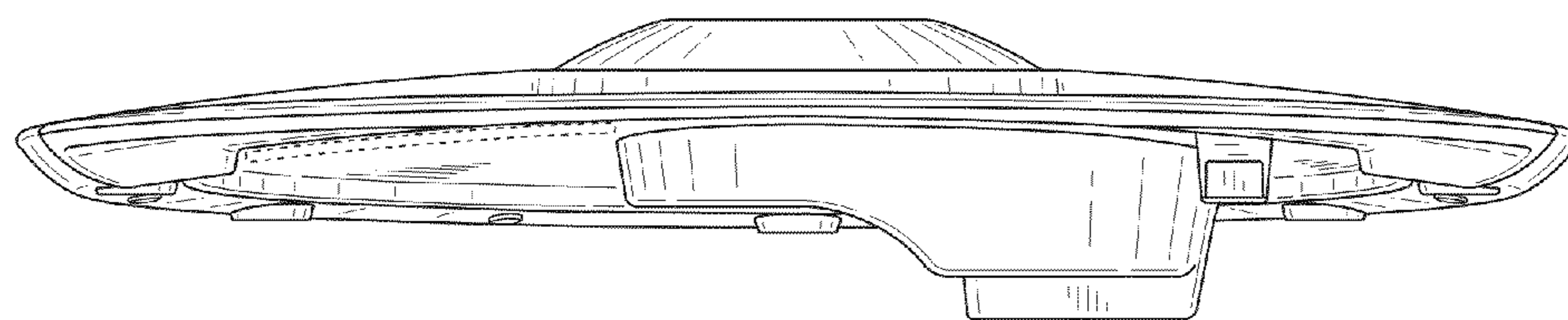


FIG. 3

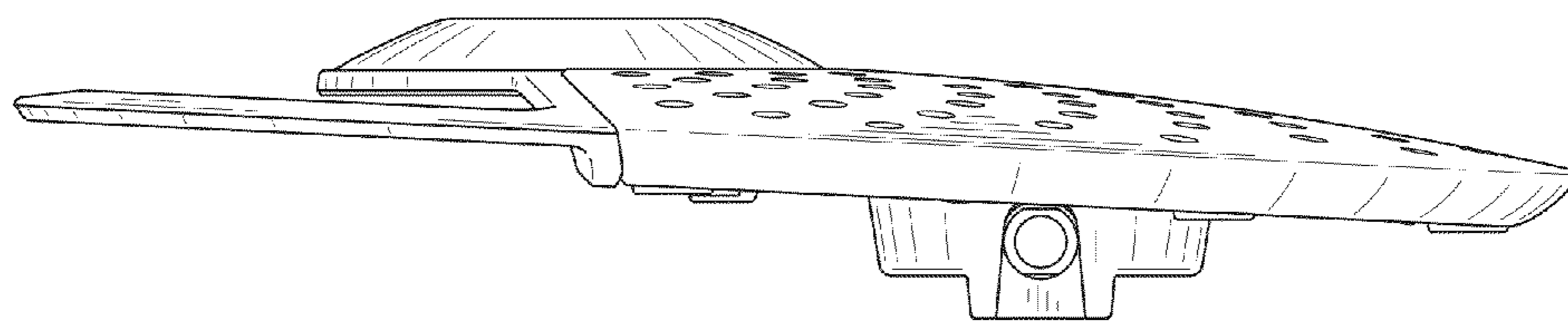


FIG. 4

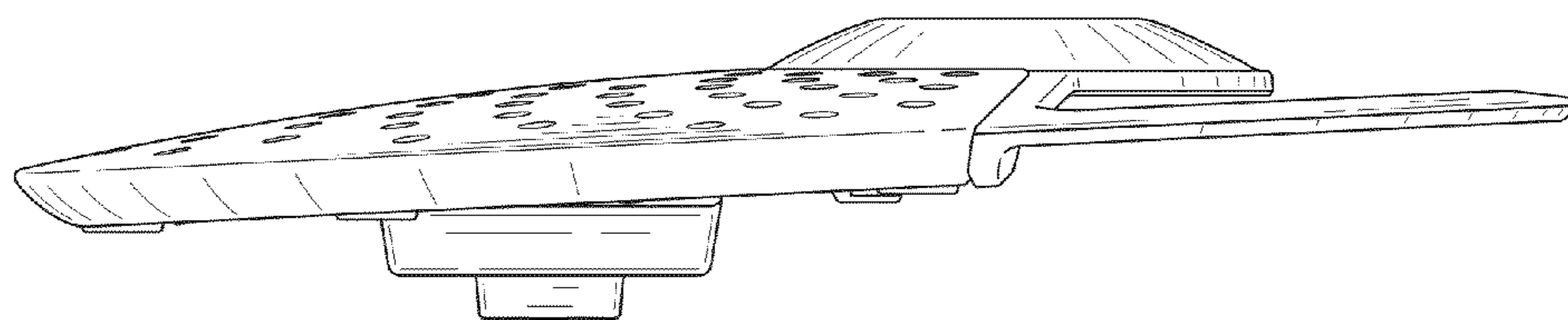


FIG. 5

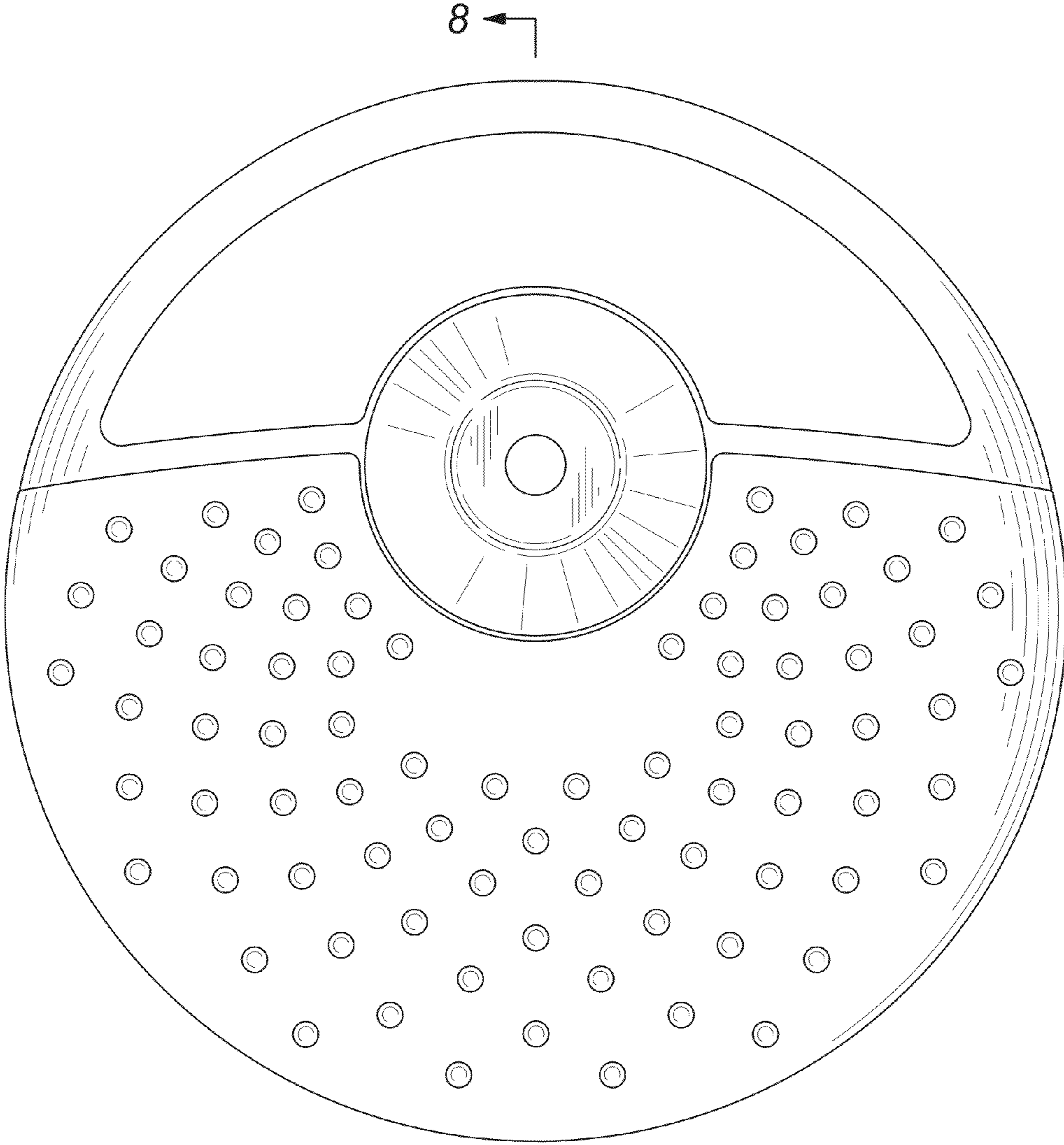


FIG. 6

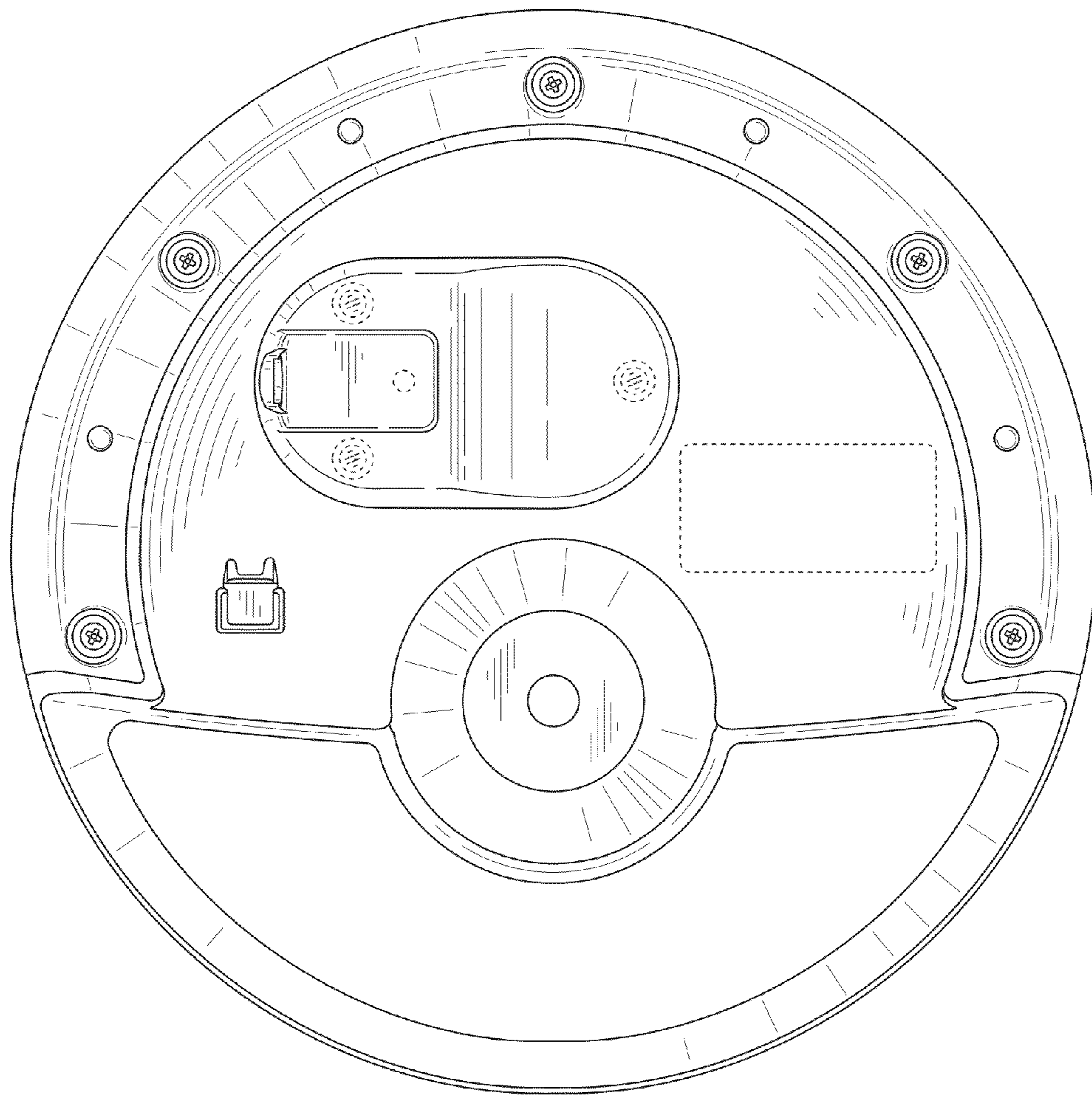


FIG. 7

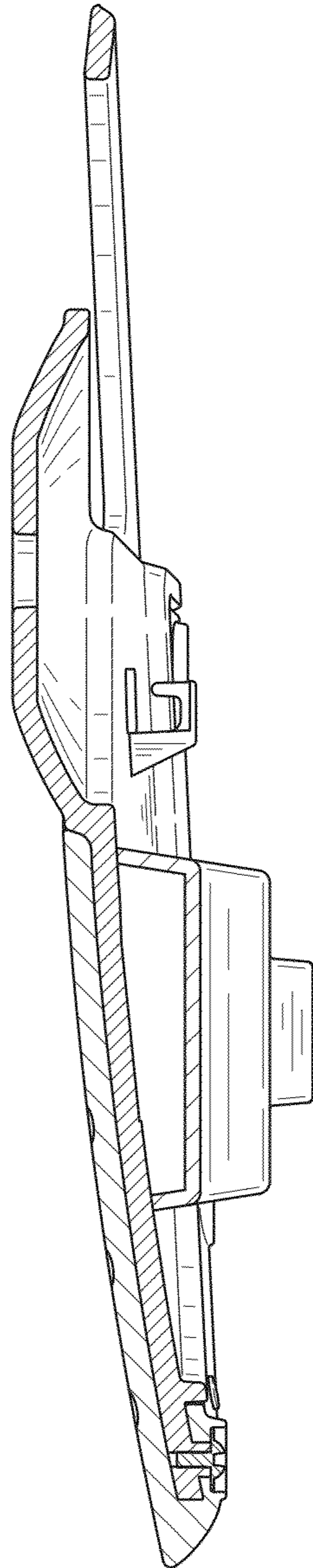


FIG. 8

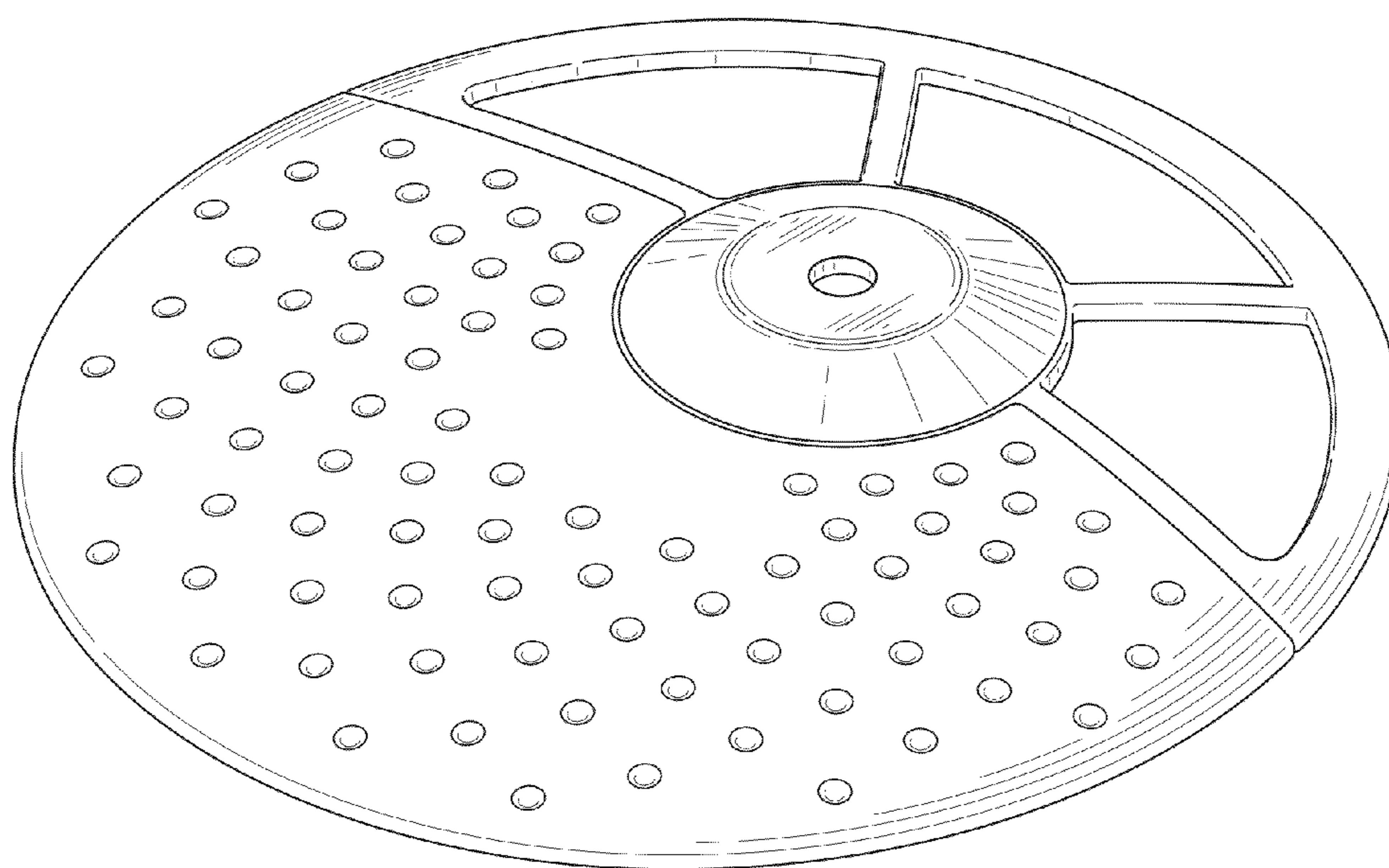


FIG. 9

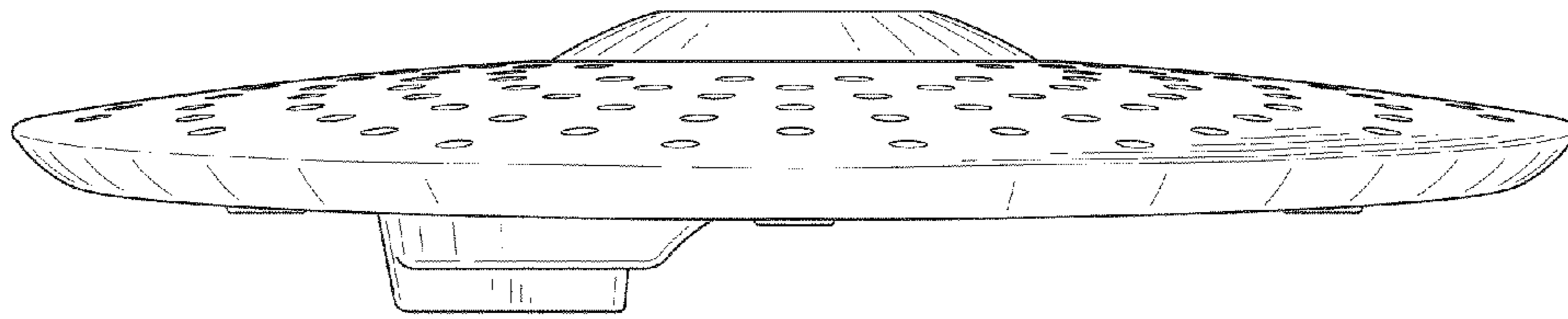


FIG. 10

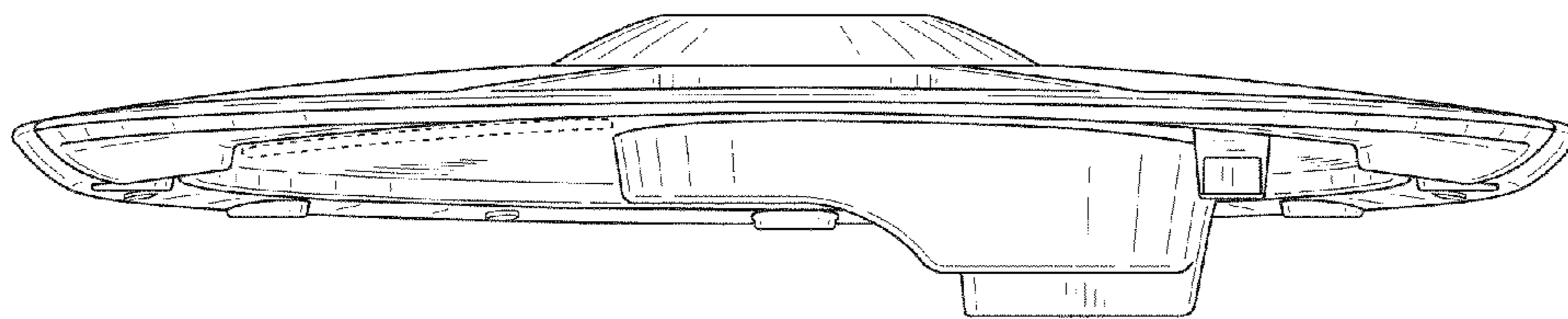


FIG. 11

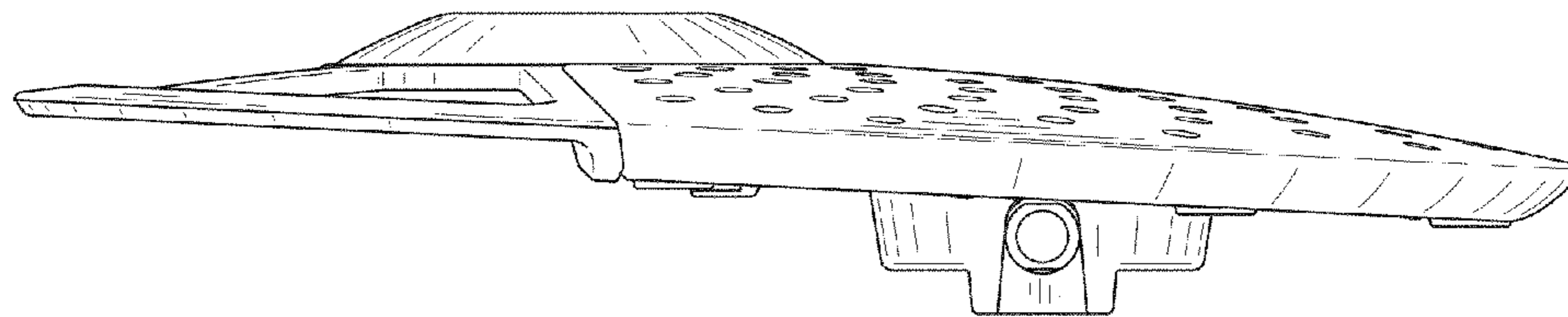


FIG. 12

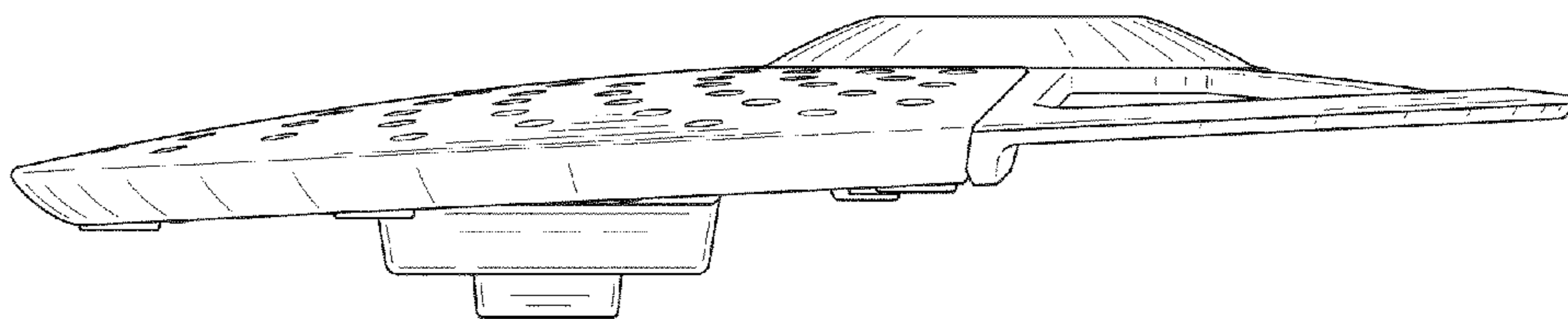


FIG. 13

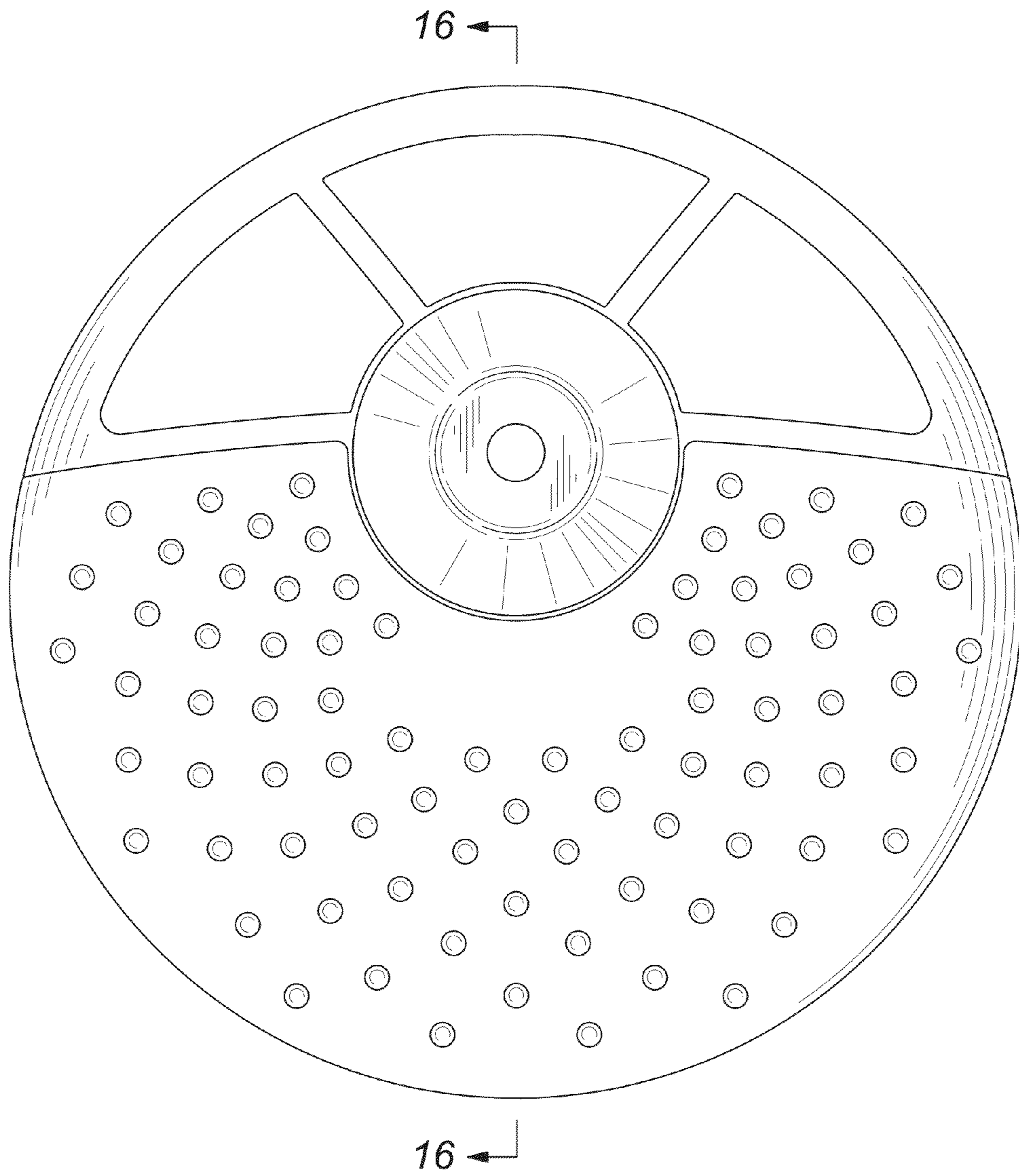


FIG. 14

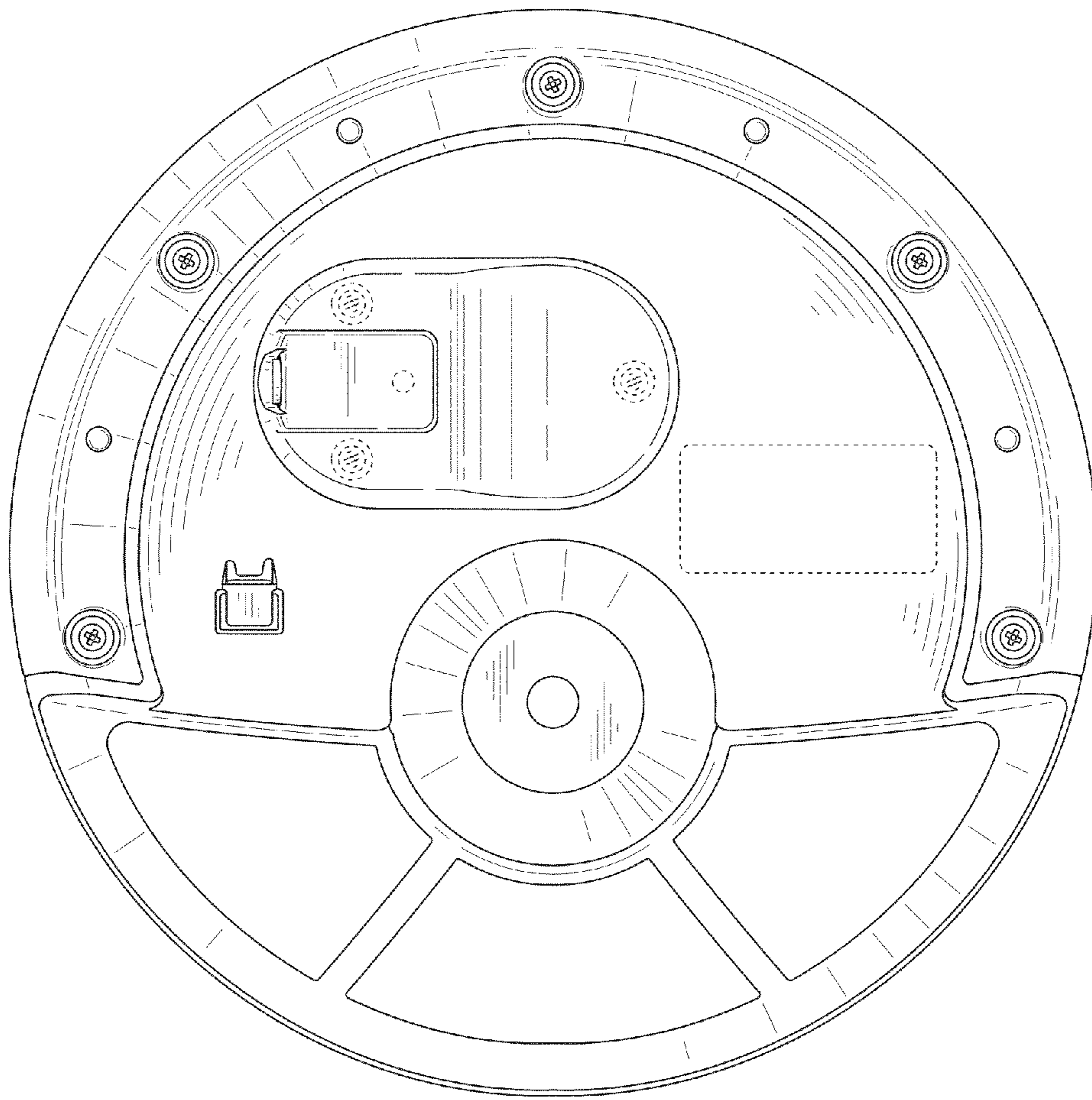


FIG. 15

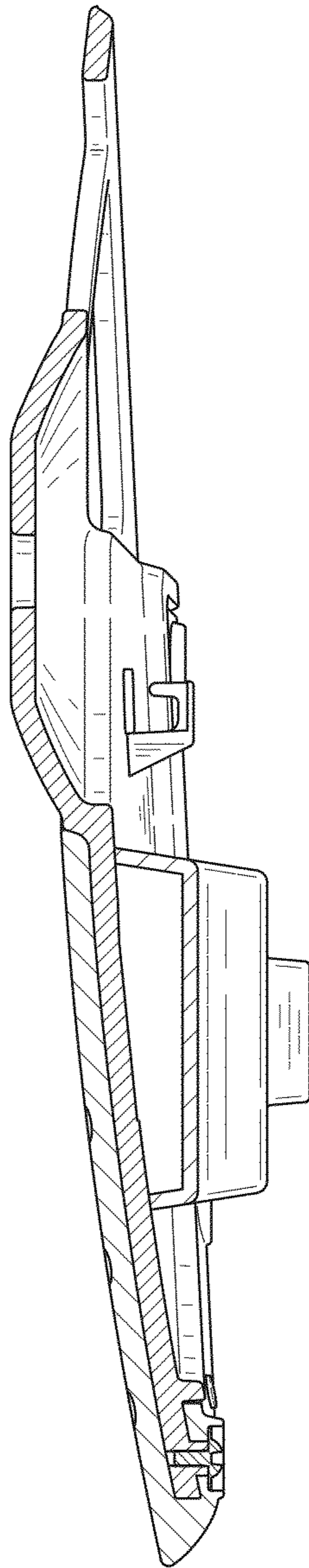


FIG. 16