



US00D692940S

(12) **United States Design Patent**
Szymanski

(10) **Patent No.:** **US D692,940 S**

(45) **Date of Patent:** **** Nov. 5, 2013**

(54) **SUNGLASSES**

(71) Applicant: **Aaron Szymanski**, Thomaston, CT (US)

(72) Inventor: **Aaron Szymanski**, Thomaston, CT (US)

(73) Assignee: **IBT Holdings, LLC**, Deerfield Beach, FL (US)

(**) Term: **14 Years**

(21) Appl. No.: **29/442,798**

(22) Filed: **May 20, 2013**

(51) **LOC (9) Cl.** **16-06**

(52) **U.S. Cl.**
USPC **D16/303**

(58) **Field of Classification Search**
USPC D16/101, 300-342, 900; D29/109-110;
351/41, 44, 51-52, 62, 158, 92,
351/103-123, 140-153, 45-46, 63;
2/426-432, 447-449, 441, 434-437,
2/13, 15; D21/483, 659-661; D14/372
See application file for complete search history.

(56) **References Cited**

U.S. PATENT DOCUMENTS

2,814,968 A * 12/1957 Nixon, Jr. 351/63
4,834,523 A * 5/1989 Porsche 351/57

D307,756 S * 5/1990 Porsche D16/303
5,028,126 A * 7/1991 Takeuchi 351/63
D327,081 S * 6/1992 Nakamura et al. D16/313
D417,882 S * 12/1999 Merhazion D16/303
D559,886 S * 1/2008 Masterson D16/304

* cited by examiner

Primary Examiner — Raphael Barkai

(74) *Attorney, Agent, or Firm* — Dan M. DeLaRosa

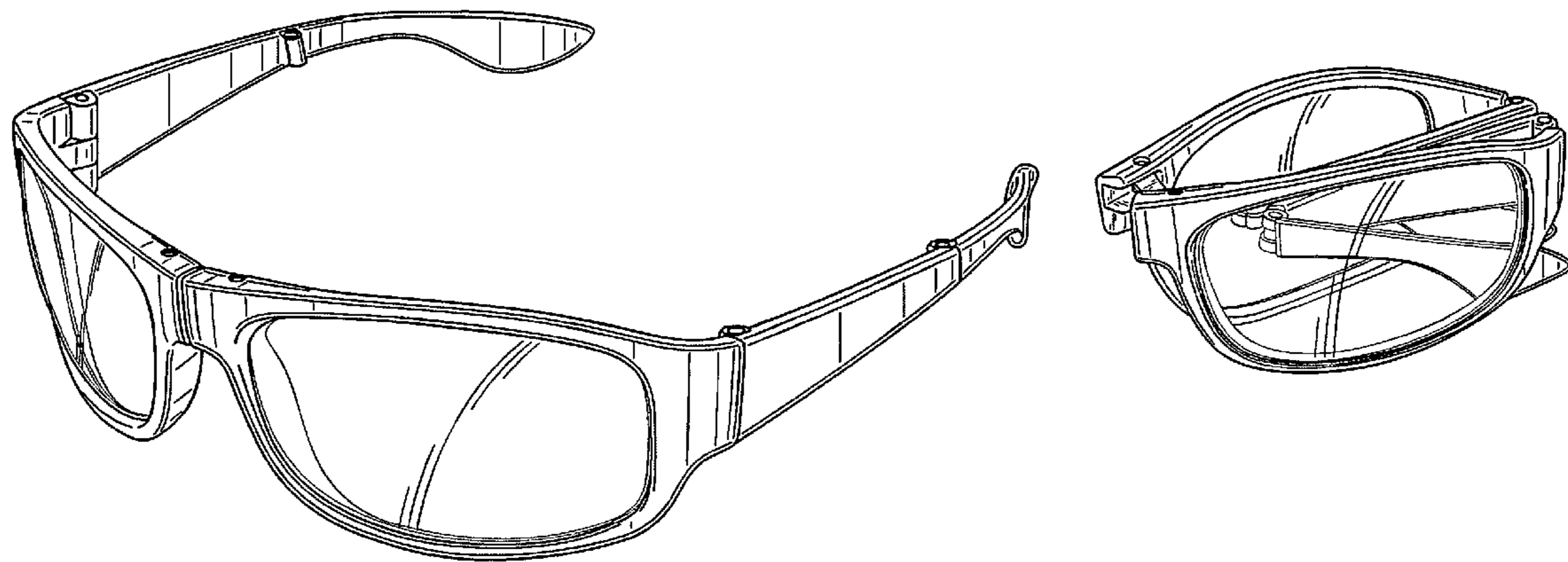
(57) **CLAIM**

The ornamental design for sunglasses, as shown and described.

DESCRIPTION

FIG. 1 is a front perspective view of the sunglasses of the present invention showing my new design; FIG. 2 is a front side elevational view thereof; FIG. 3 is a back side elevational view thereof; FIG. 4 is a side elevational view thereof; FIG. 5 is another side elevational view thereof; FIG. 6 is a top plan view thereof; FIG. 7 is a bottom plan view thereof; FIG. 8 is a front perspective view of the sunglasses in a folded position; FIG. 9 is a front side elevational view of FIG. 8; and, FIG. 10 is a bottom plan view of FIG. 8.

1 Claim, 7 Drawing Sheets



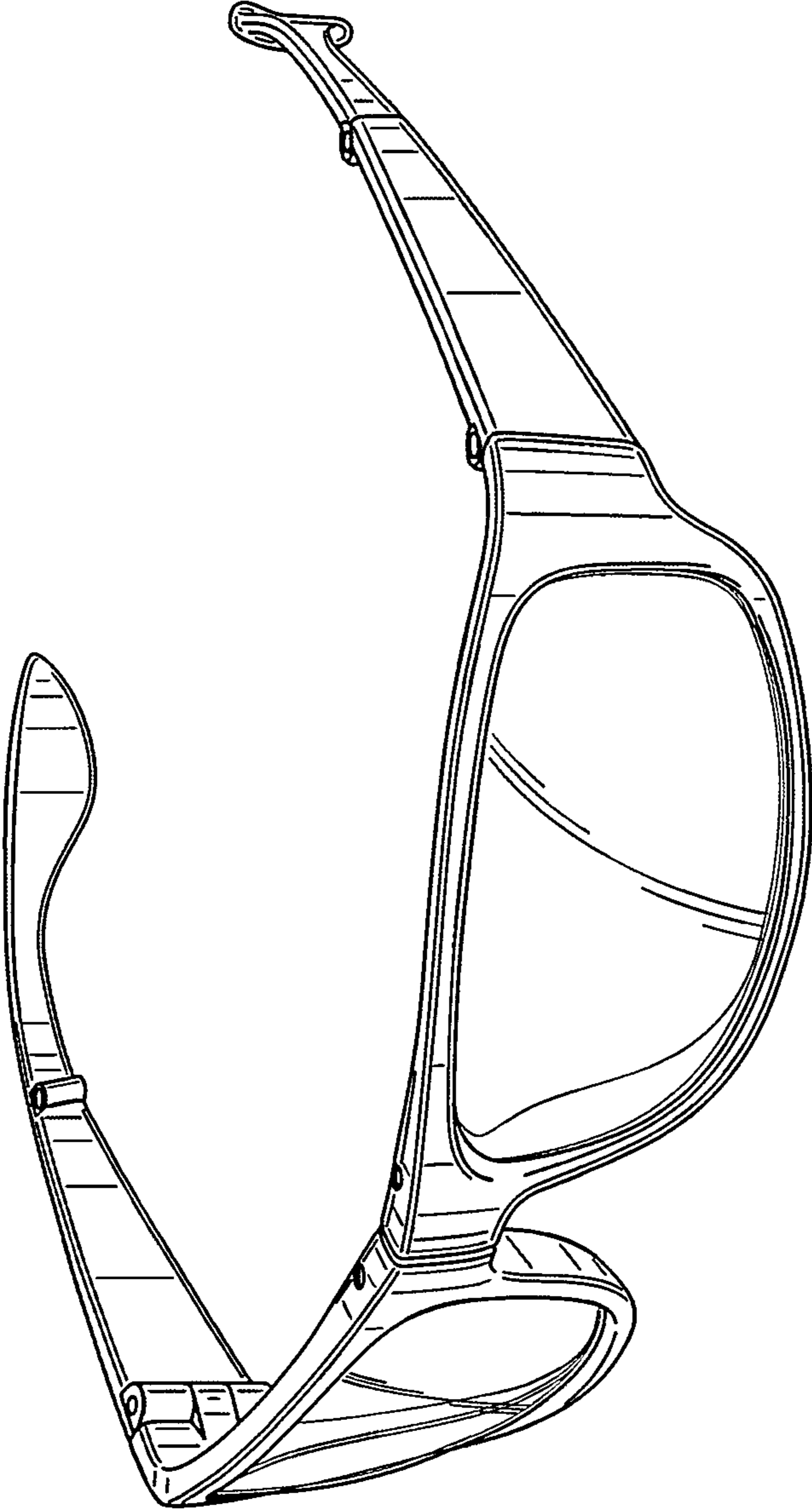


FIG. 1

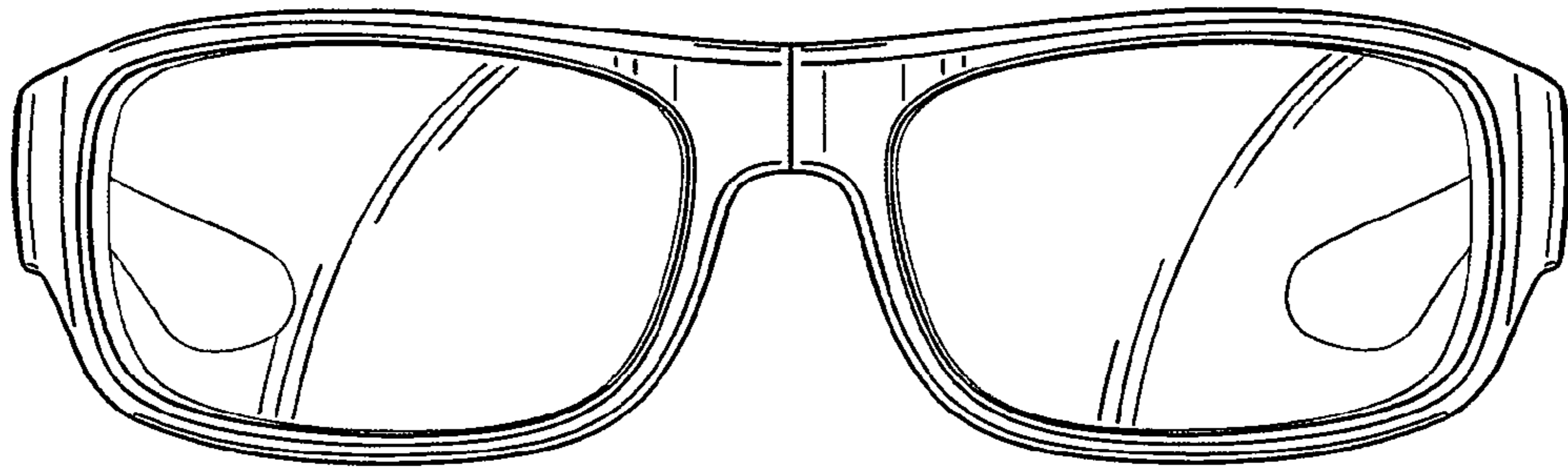


FIG. 2

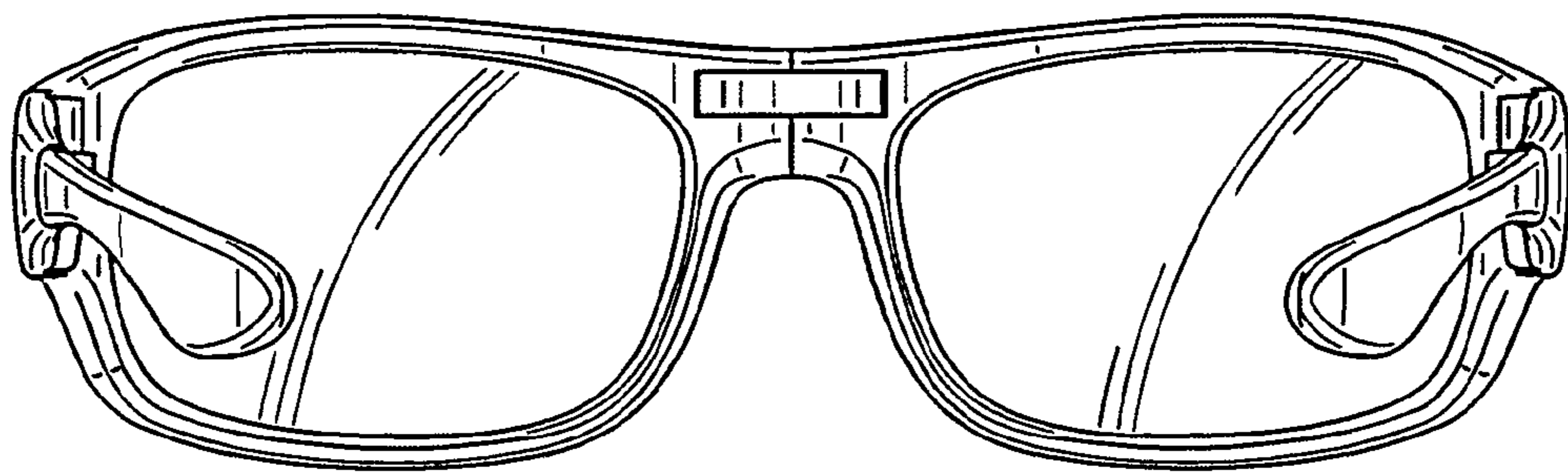


FIG. 3

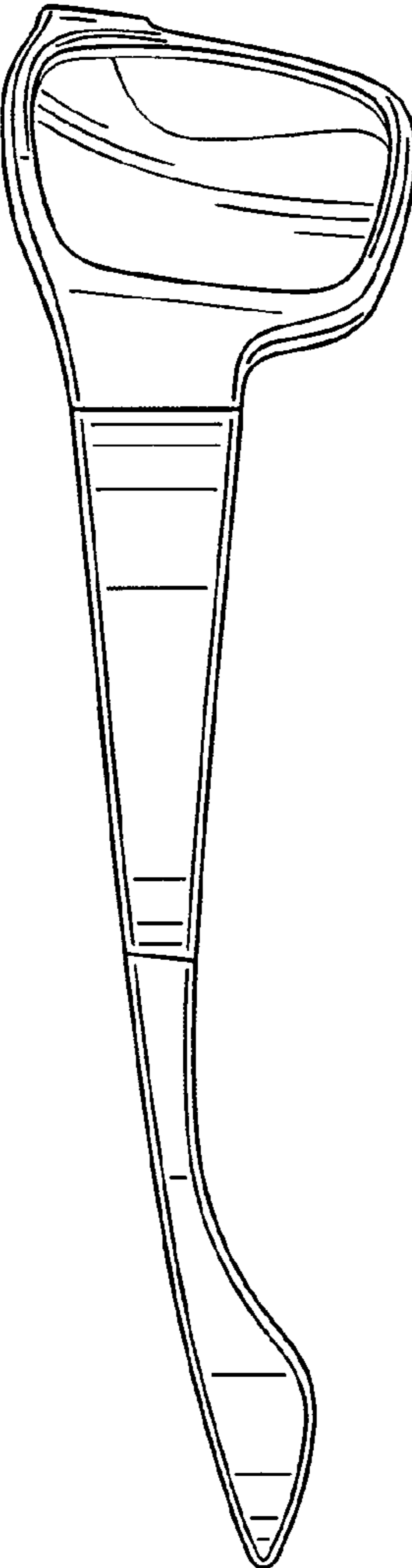


FIG. 4

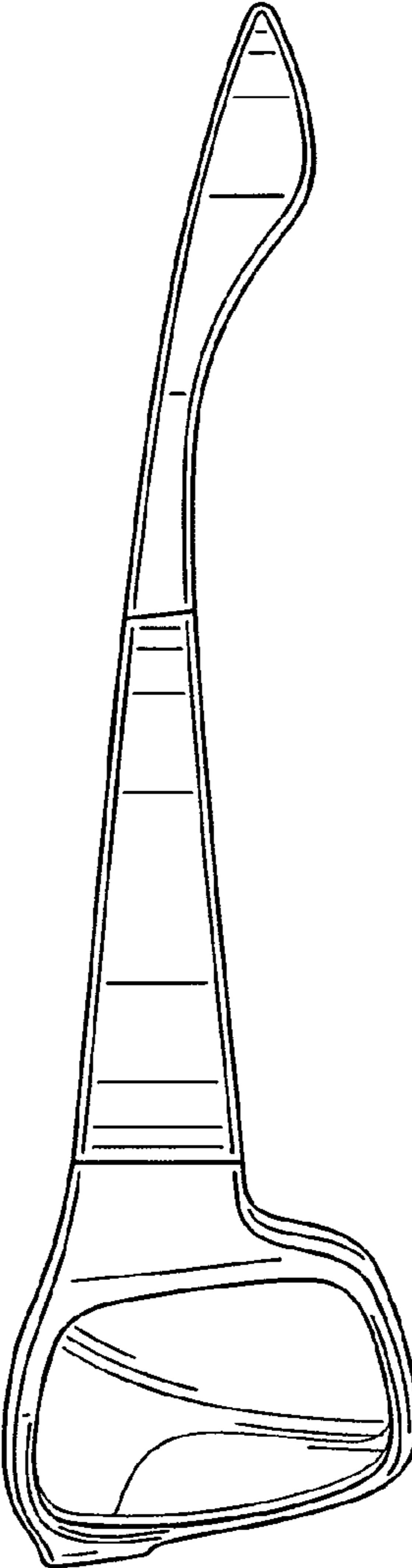


FIG. 5

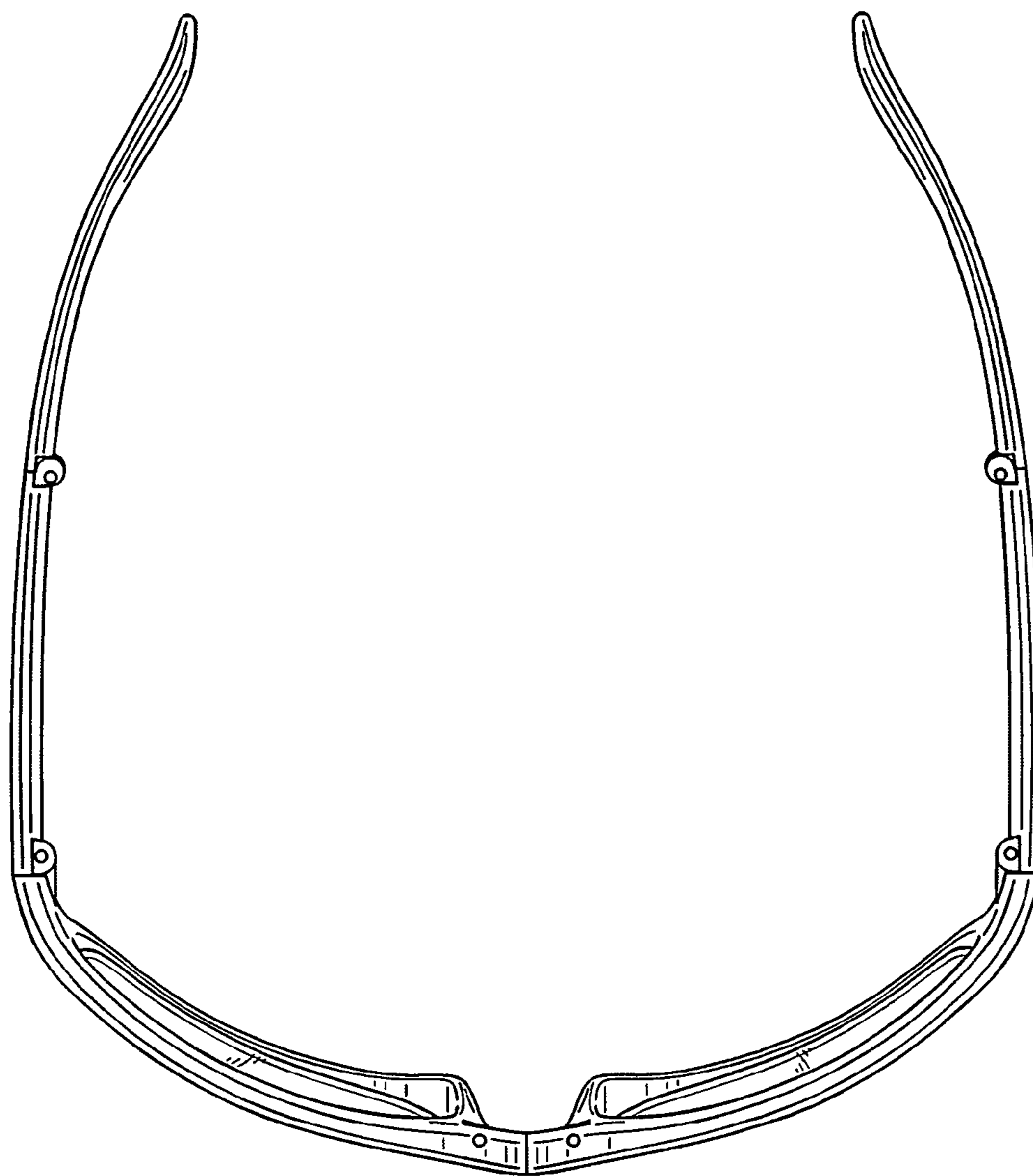


FIG. 6

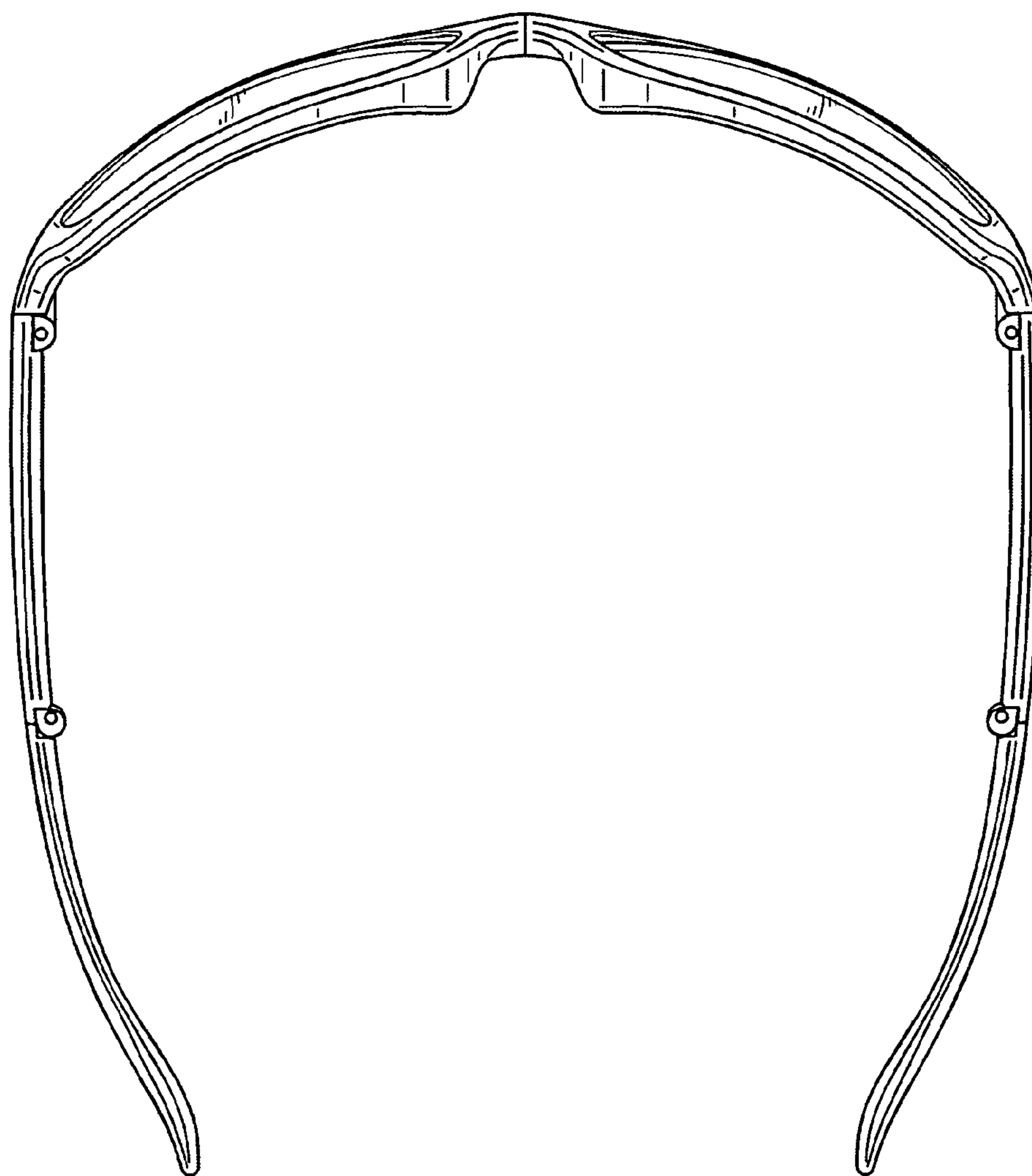


FIG. 7

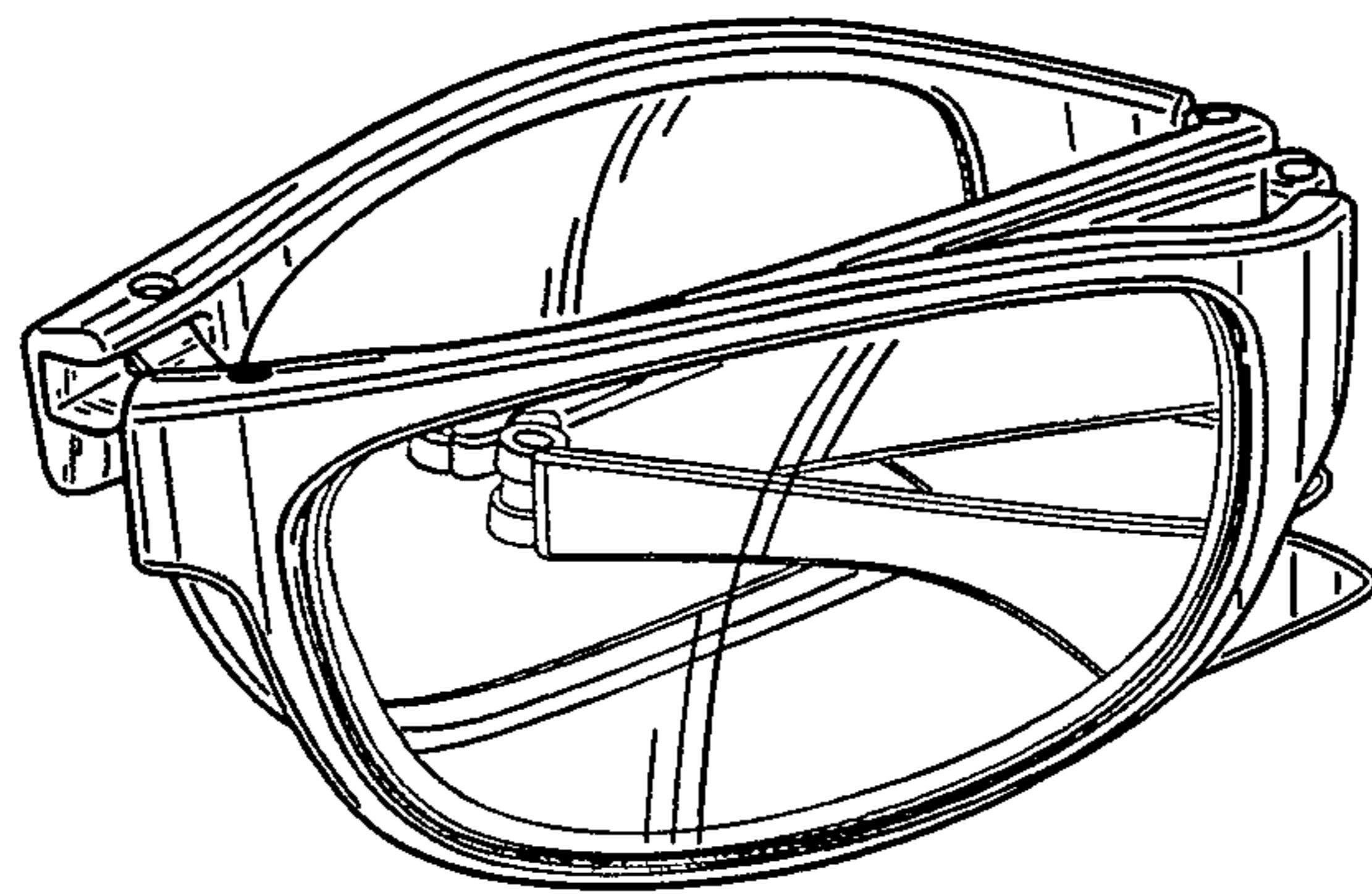


FIG. 8

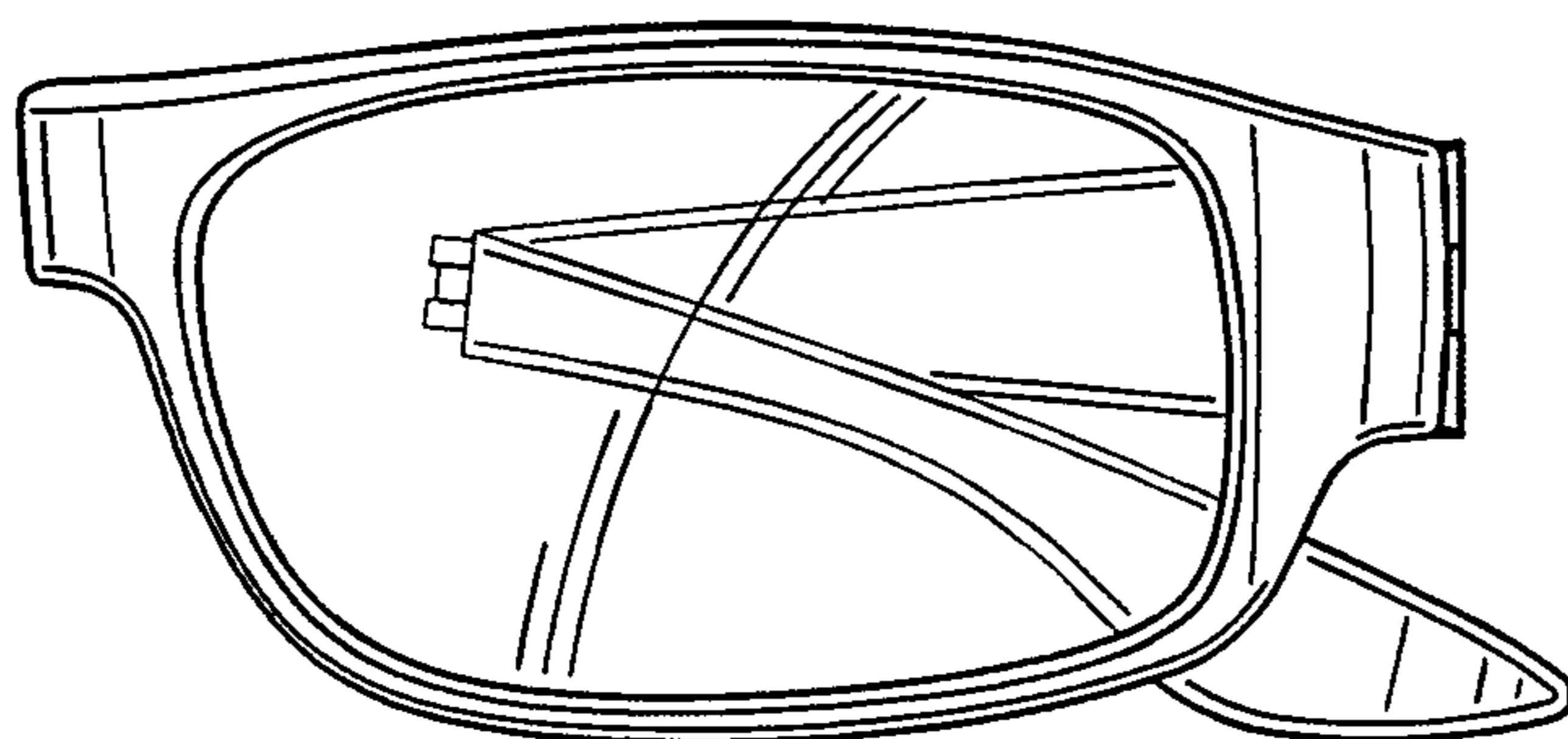


FIG. 9

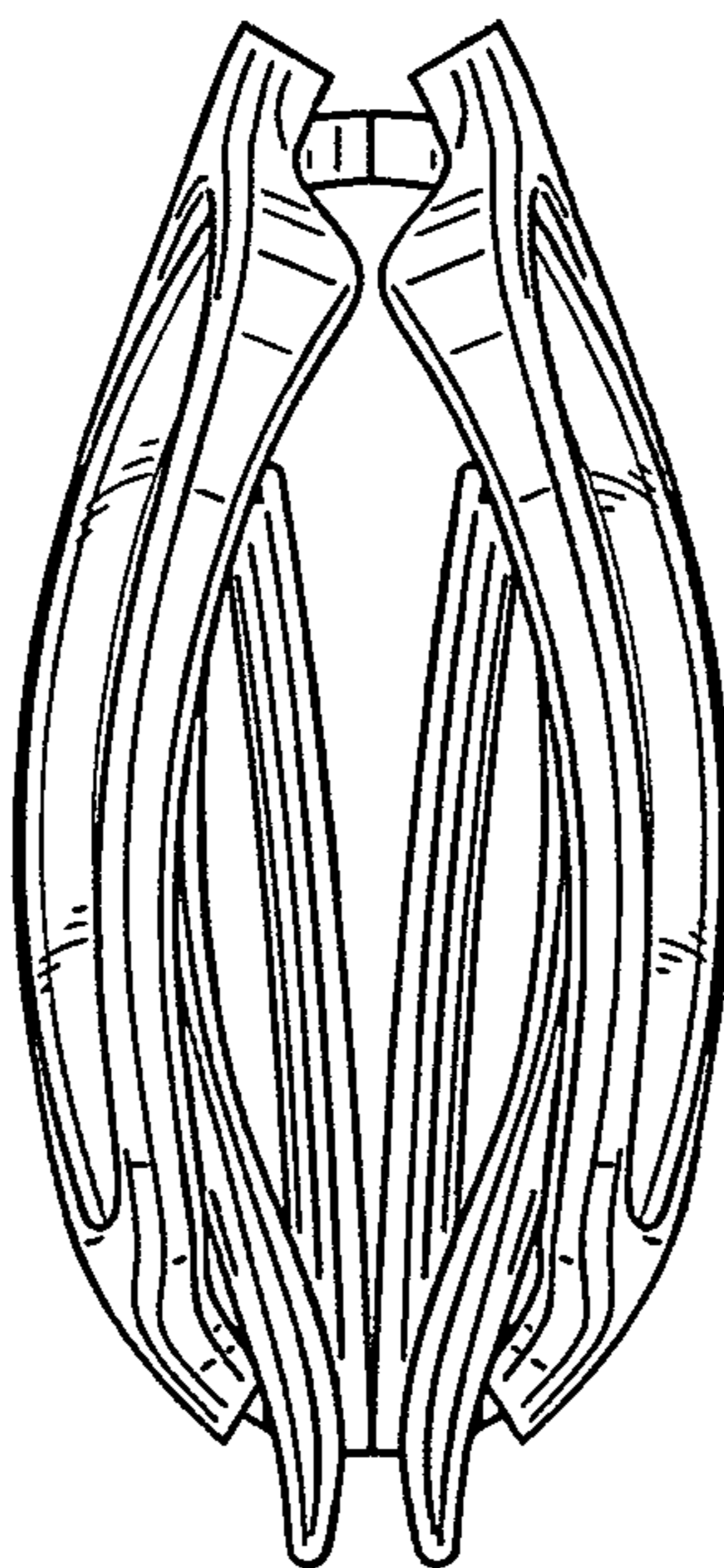


FIG. 10