



US00D692939S

(12) **United States Design Patent**  
**Huang et al.**

(10) **Patent No.:** **US D692,939 S**

(45) **Date of Patent:** **\*\* Nov. 5, 2013**

(54) **CAMERA**

(71) Applicants: **Wei-Cheng Huang**, New Taipei (TW);  
**Mei-Yi Tsai**, New Taipei (TW)

(72) Inventors: **Wei-Cheng Huang**, New Taipei (TW);  
**Mei-Yi Tsai**, New Taipei (TW)

(73) Assignee: **Chicony Electronics Co., Ltd.**, New Taipei (TW)

(\*\*) Term: **14 Years**

(21) Appl. No.: **29/434,771**

(22) Filed: **Oct. 16, 2012**

(51) **LOC (9) Cl.** ..... **16-01**

(52) **U.S. Cl.**  
USPC ..... **D16/218**

(58) **Field of Classification Search**  
USPC ..... D16/200, 202, 203, 208, 218; 348/143,  
348/373-374; 396/427, 535, 540, 541  
See application file for complete search history.

(56) **References Cited**

**U.S. PATENT DOCUMENTS**

D465,504 S \* 11/2002 Van Klinken ..... D16/203  
D474,221 S \* 5/2003 Cheng ..... D16/218  
D496,062 S \* 9/2004 Yamakami et al. .... D16/218

D550,739 S \* 9/2007 Deng ..... D16/203  
D582,955 S \* 12/2008 Sekine et al. .... D16/218  
D595,328 S \* 6/2009 Kim et al. .... D16/219  
D611,081 S \* 3/2010 Kobayashi et al. .... D16/203  
D668,283 S \* 10/2012 Ohno et al. .... D16/203

\* cited by examiner

*Primary Examiner* — Adir Aronovich

(74) *Attorney, Agent, or Firm* — Chun-Ming Shih; HDLS IPR Services

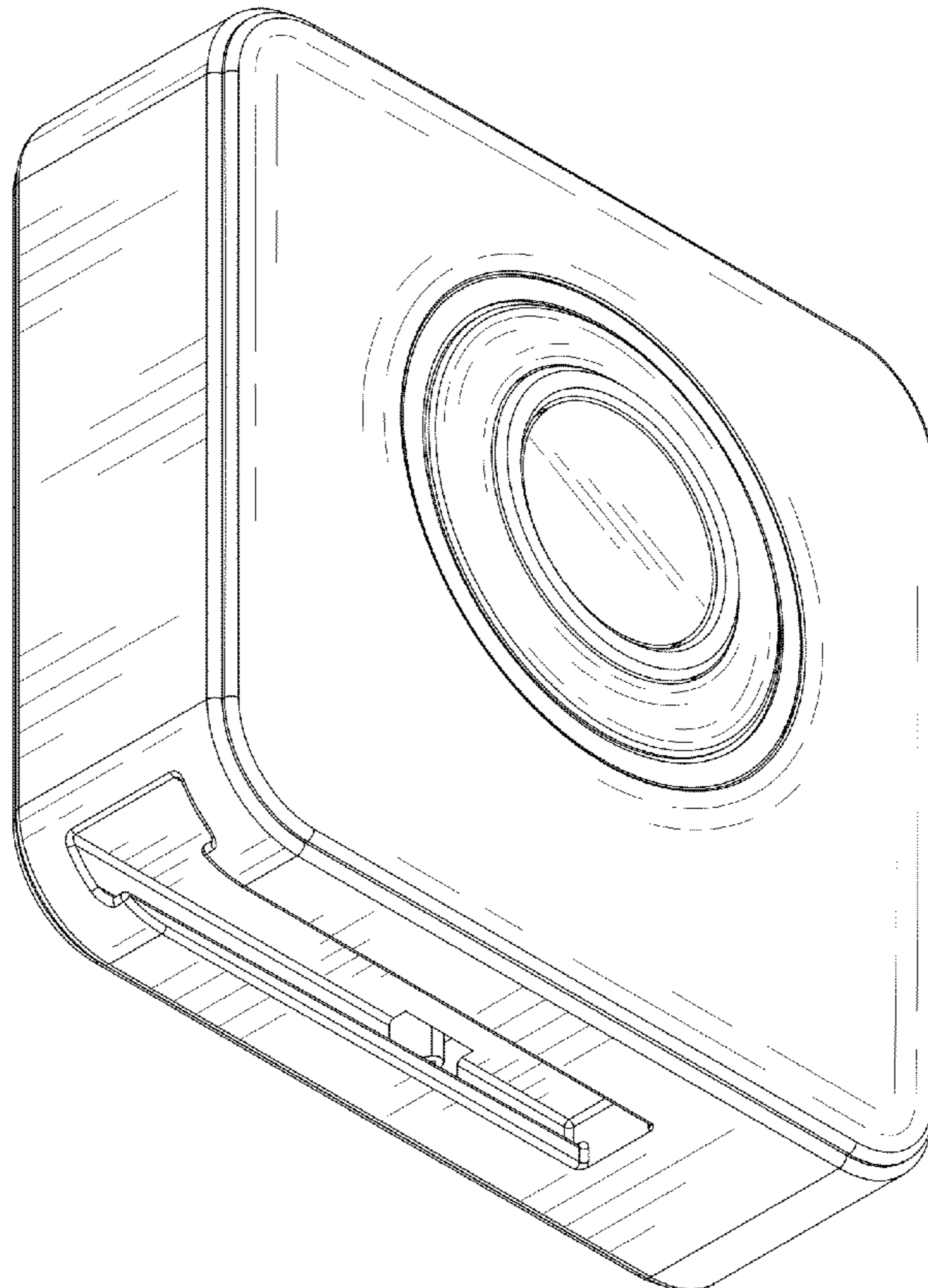
(57) **CLAIM**

The ornamental design for a camera, as shown and described.

**DESCRIPTION**

FIG. 1 is a front, bottom and left side perspective view of a camera showing my new design;  
FIG. 2 is a front elevational view thereof;  
FIG. 3 is a rear elevational view thereof;  
FIG. 4 is a left side elevational view thereof;  
FIG. 5 is a right side elevational view thereof;  
FIG. 6 is a top plan view thereof;  
FIG. 7 is a bottom plan view thereof;  
FIG. 8 is a front, bottom and left side perspective view thereof with environmental structure; and,  
FIG. 9 is a front, bottom and left side perspective view thereof, with different environmental structure.  
The broken line portions in FIGS. 8 and 9 are shown to illustrate environment only and form no part of the claimed design.

**1 Claim, 7 Drawing Sheets**



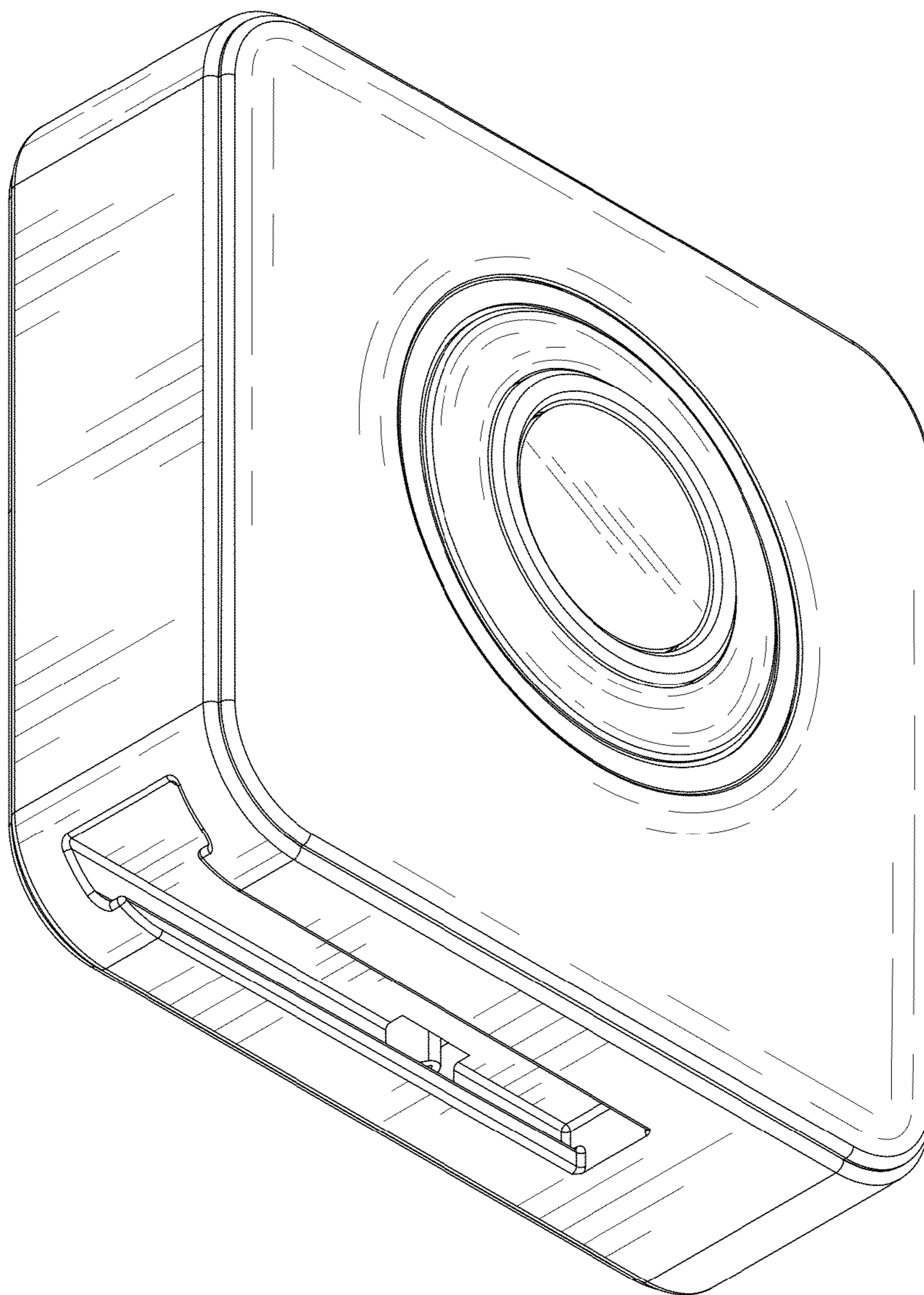


FIG.1

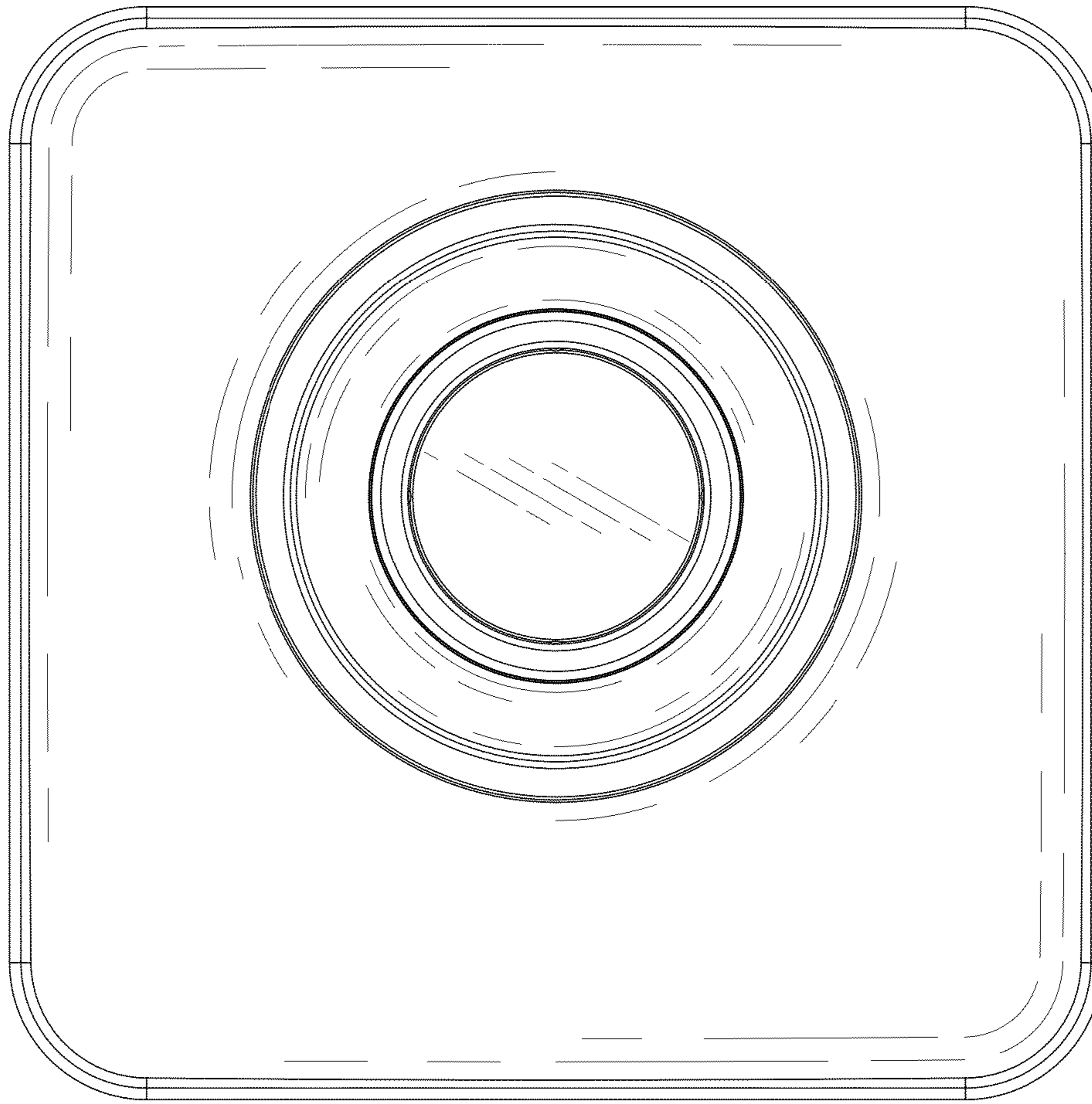


FIG.2

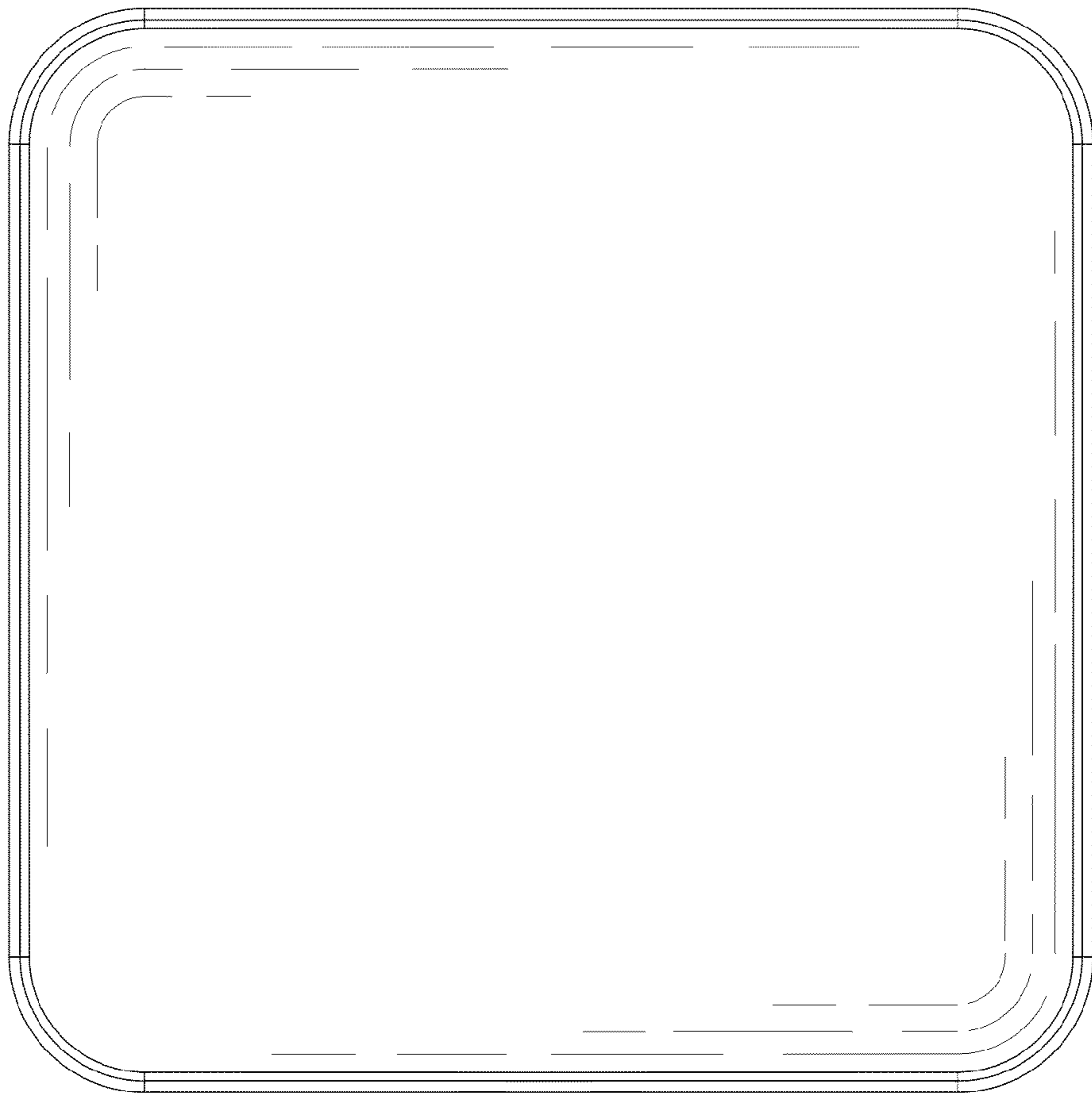


FIG.3

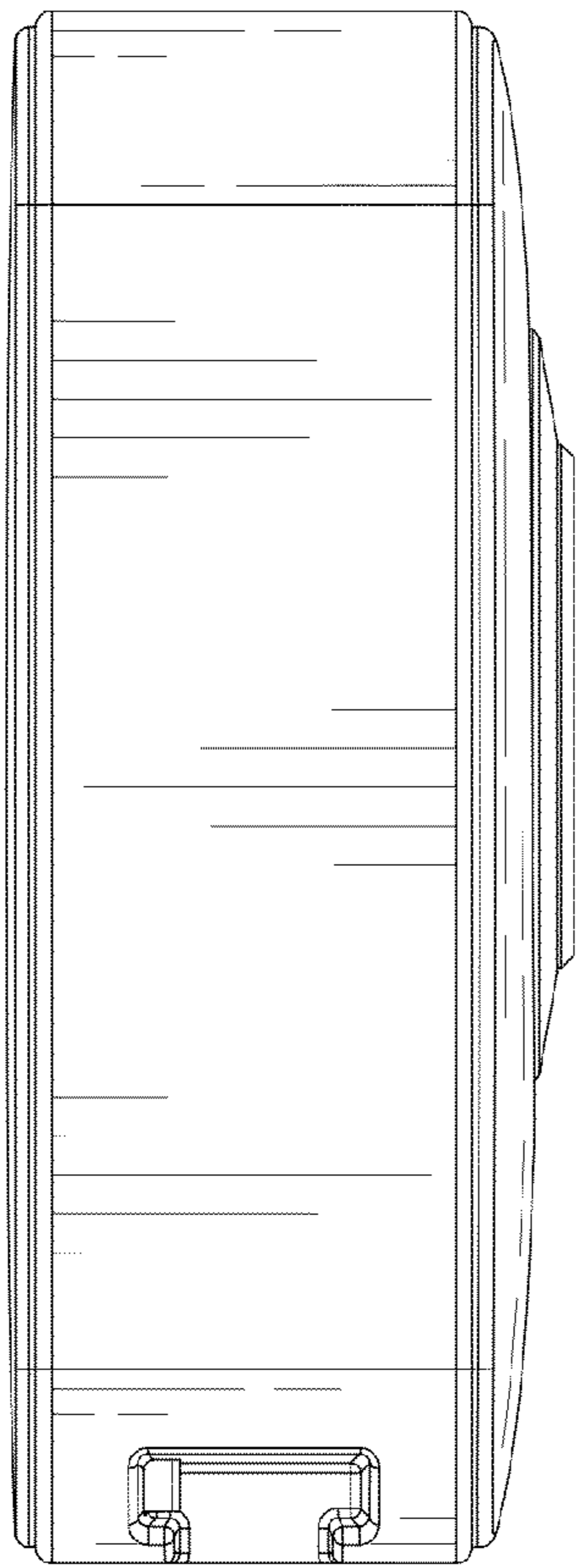


FIG. 4

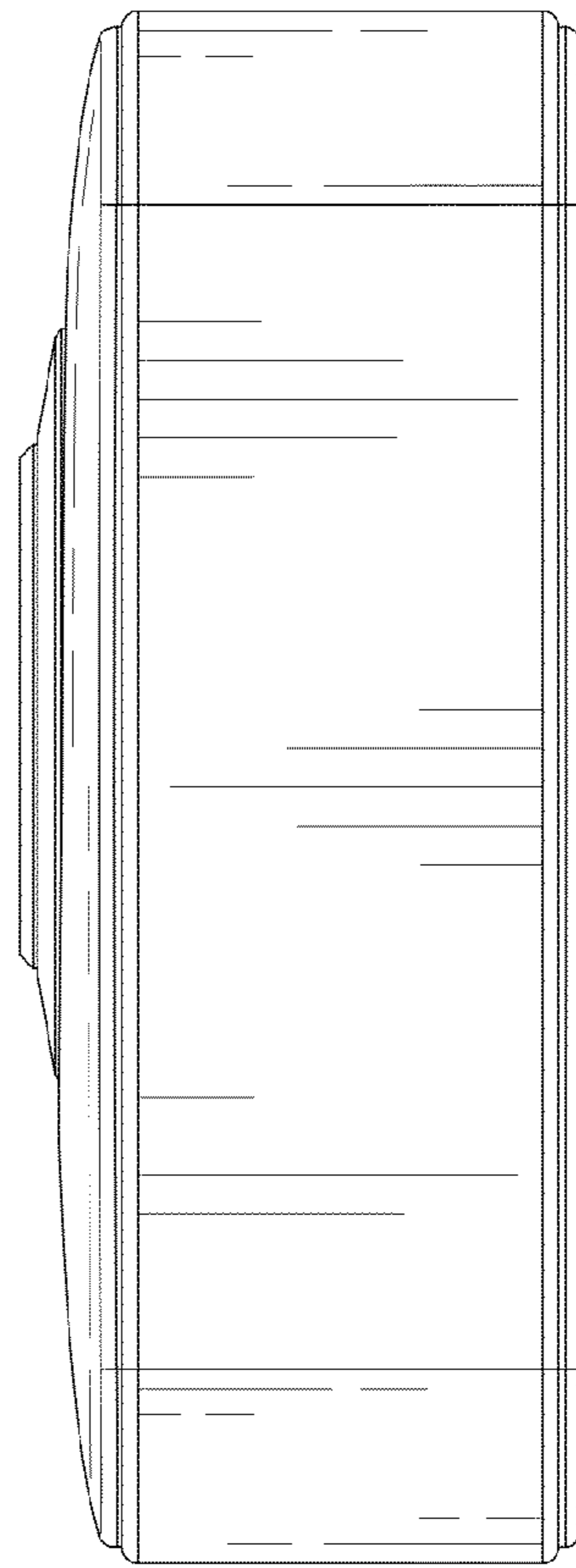


FIG. 5

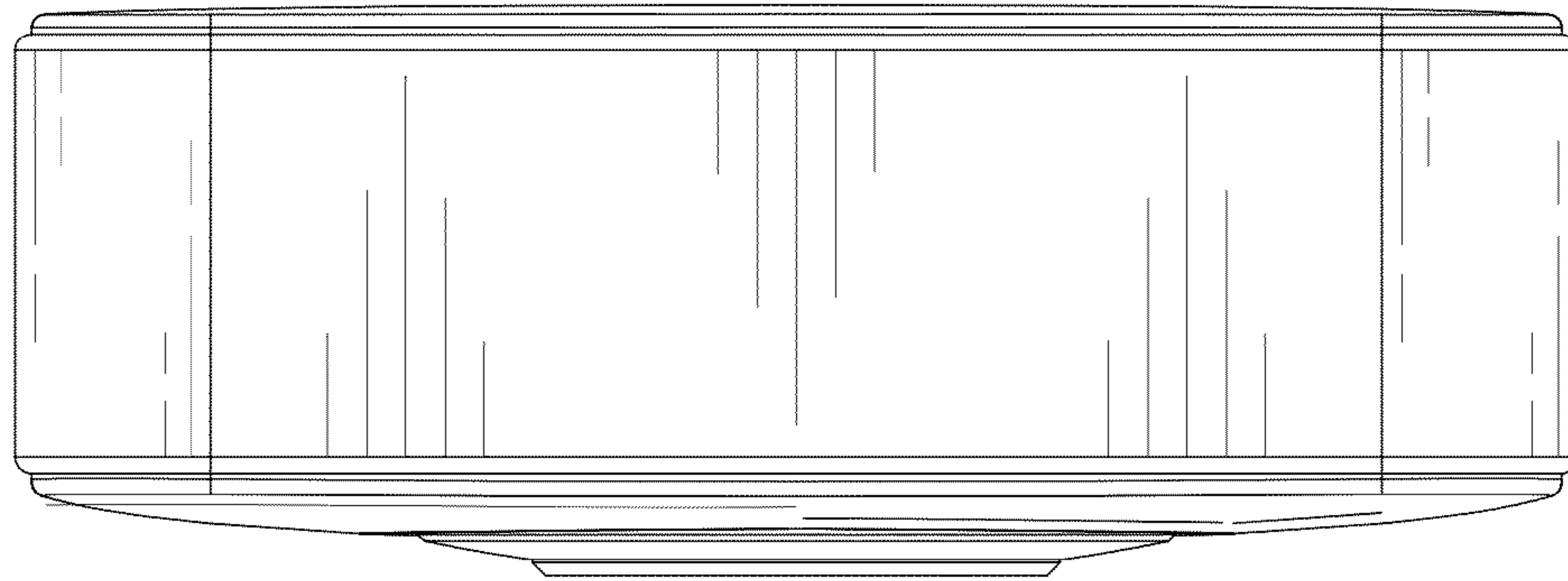


FIG. 6

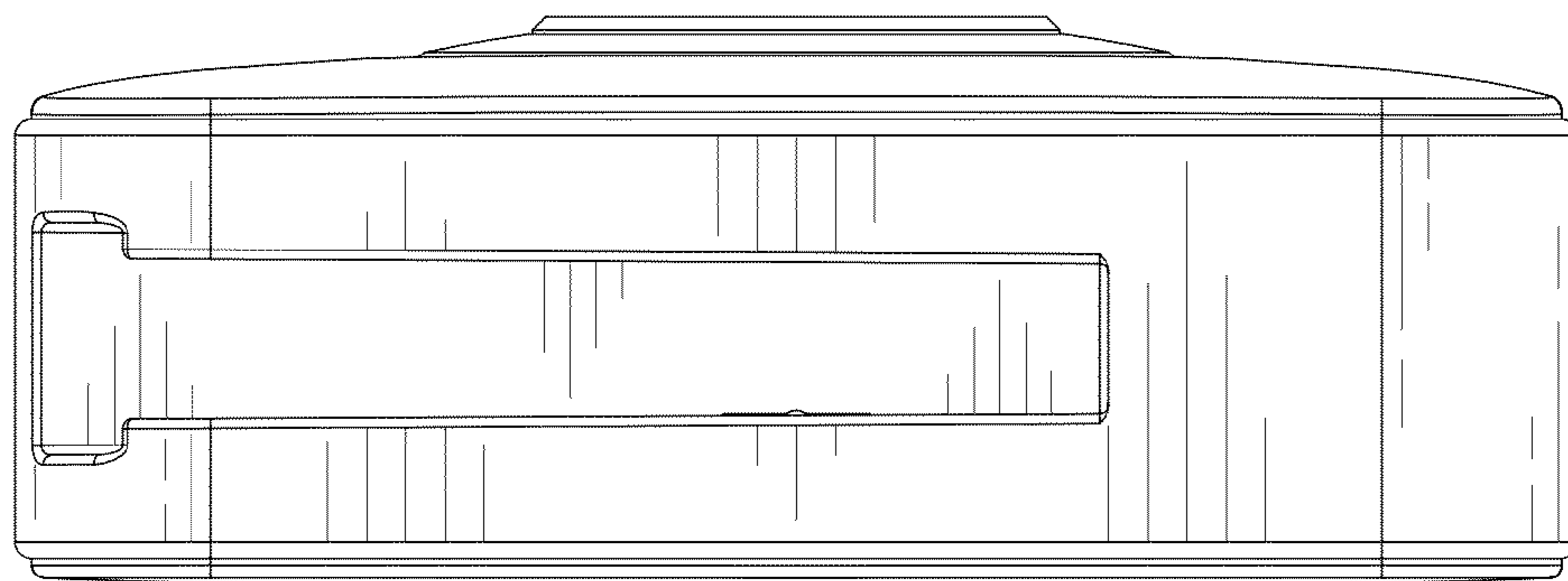


FIG. 7

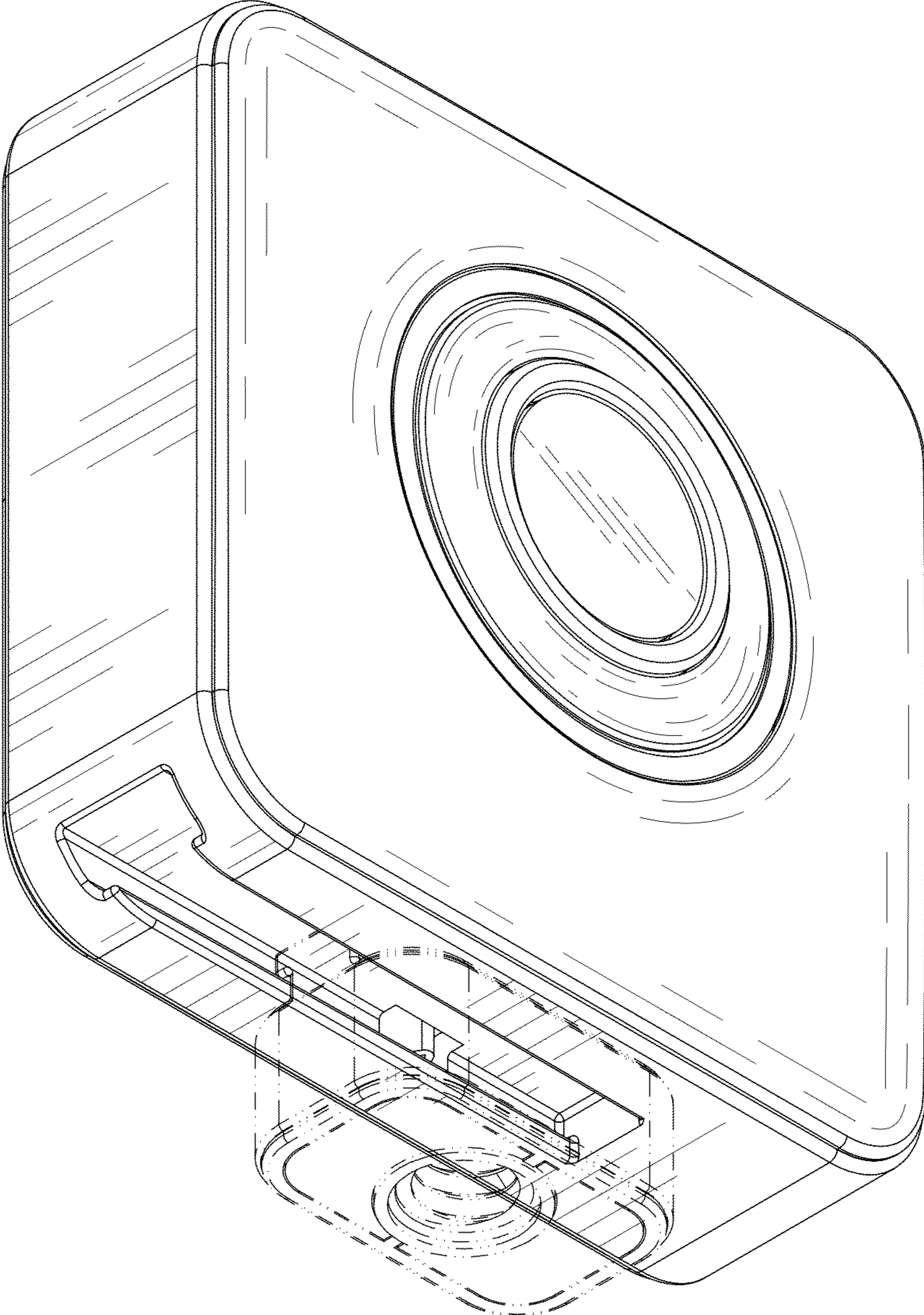


FIG.8

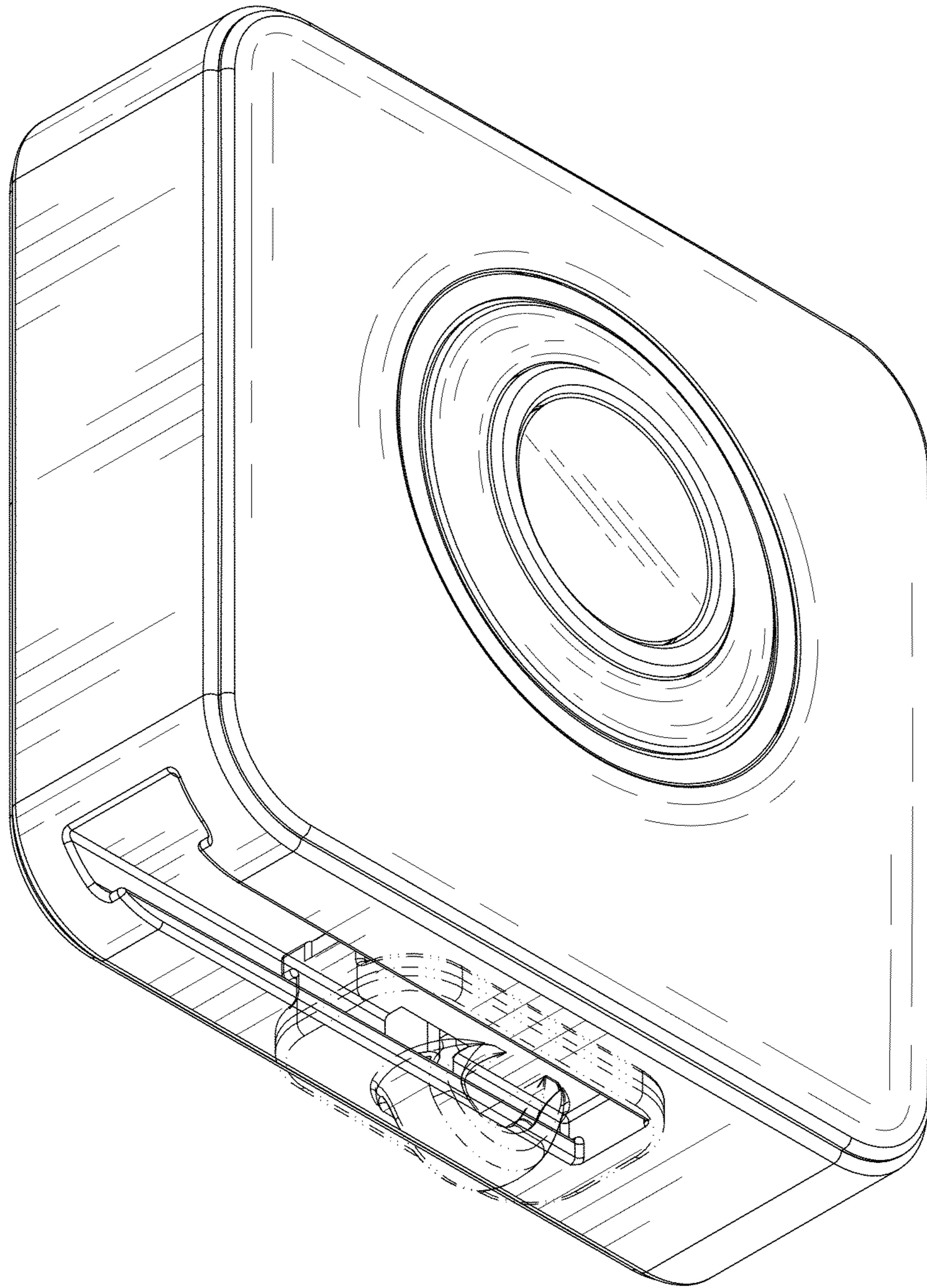


FIG.9