

US00D692936S

(12) **United States Design Patent**
Thoma

(10) **Patent No.:** **US D692,936 S**

(45) **Date of Patent:** **** *Nov. 5, 2013**

(54) **GUILLOTINE-TYPE CUTTING MACHINE**

(56)

References Cited

(71) Applicant: **Adolf Mohr Maschinenfabrik GmbH & Co. KG**, Hofheim am Taunus (DE)

(72) Inventor: **Gerhard Thoma**, Hofheim (DE)

(73) Assignee: **Adolf Mohr Maschinenfabrik GmbH & Co. KG**, Hofheim am Taunus (DE)

(*) Notice: This patent is subject to a terminal disclaimer.

(**) Term: **14 Years**

(21) Appl. No.: **29/435,778**

(22) Filed: **Oct. 29, 2012**

(30) **Foreign Application Priority Data**

Feb. 5, 2012 (EM) 002035832-0001

(51) **LOC (9) Cl.** **15-09**

(52) **U.S. Cl.**
USPC **D15/127**

(58) **Field of Classification Search**
USPC D15/122, 127, 131, 133, 134; 29/26 A, 29/26 R, 30, 33 A-33 T, 34 R, 39, 50, 29/563-566, 564.1-564.8; 483/17-57; D18/34.1, 34.3, 34.7, 34.8, 34.9; 30/155, 159-163, 318; 83/407, 408, 83/455, 600, 601, 605, 698.11

See application file for complete search history.

U.S. PATENT DOCUMENTS

D286,407 S *	10/1986	Itoh et al.	D15/127
D300,933 S *	5/1989	Gemmani	D15/127
D330,032 S *	10/1992	Cromer et al.	D15/127
D331,066 S *	11/1992	Englert	D15/122
5,183,993 A *	2/1993	Sato et al.	219/121.82
D336,749 S *	6/1993	Lenard et al.	D15/127
5,410,119 A *	4/1995	Lehmann	219/69.12
D415,175 S *	10/1999	Lin	D15/127
D428,025 S *	7/2000	Miyake et al.	D15/127
D510,942 S *	10/2005	Kuriki et al.	D15/127
D544,003 S *	6/2007	Inaba et al.	D15/127
D557,295 S *	12/2007	Formanek	D15/127
D578,144 S *	10/2008	Arisue et al.	D15/122
D608,799 S *	1/2010	Tokiwa et al.	D15/134
D633,115 S *	2/2011	Brown et al.	D15/127
D637,631 S *	5/2011	Hiroshima et al.	D15/122
D638,449 S *	5/2011	Schindler et al.	D15/122
D649,174 S *	11/2011	Schindler	D15/127
D649,567 S *	11/2011	Schindler	D15/127
D668,277 S *	10/2012	Miyake et al.	D15/127

* cited by examiner

Primary Examiner — Patricia Palasik
(74) *Attorney, Agent, or Firm* — Price Heneveld LLP

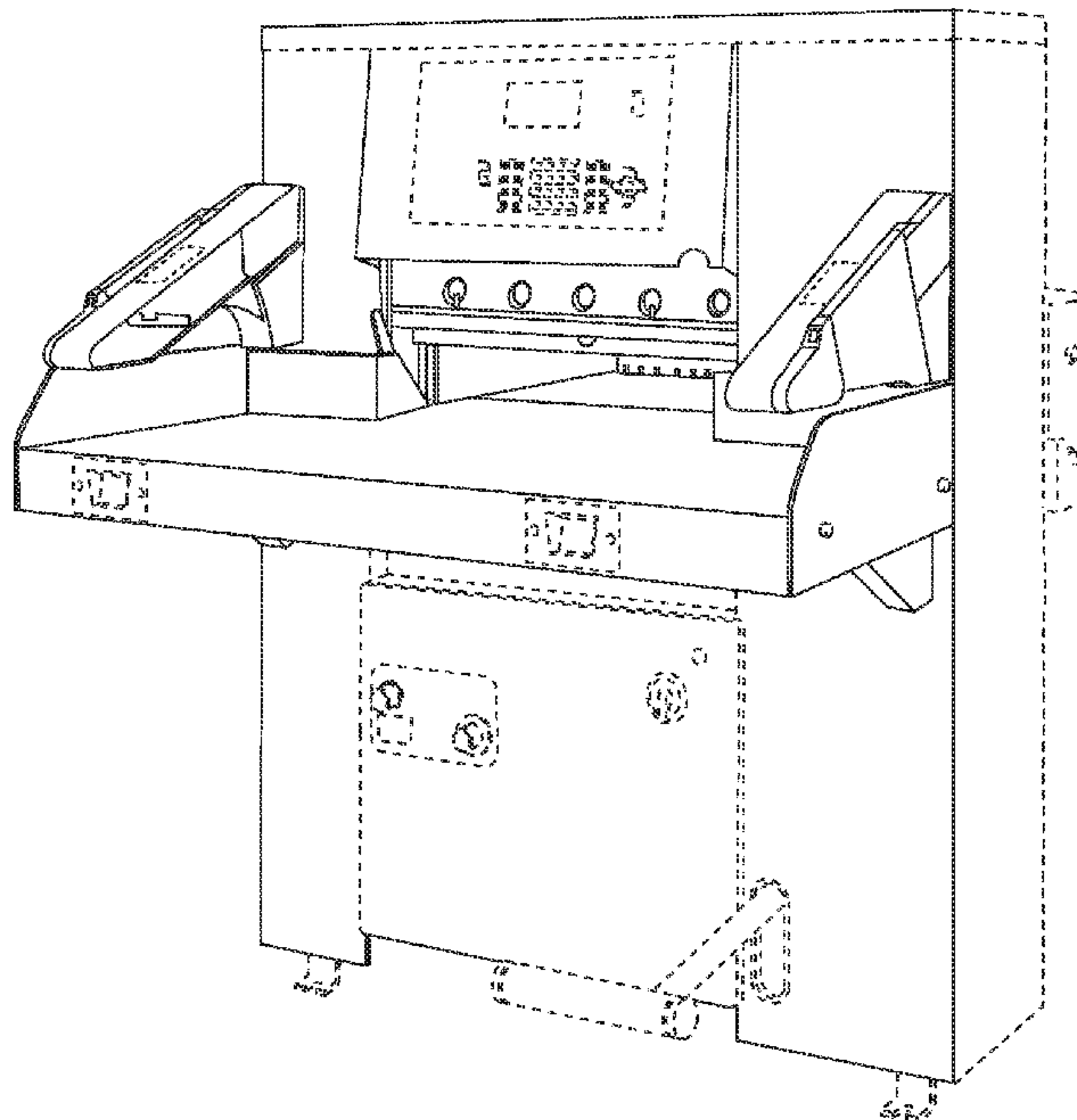
(57) **CLAIM**

I claim the ornamental design for a guillotine-type cutting machine, as shown and described.

DESCRIPTION

FIG. 1 is a front elevational view of a guillotine-type cutting machine, showing my new design; and, FIG. 2 is a perspective view thereof. The broken lines are directed to environment and are for illustrative purposes only; the broken lines form no part of the claimed design.

1 Claim, 2 Drawing Sheets



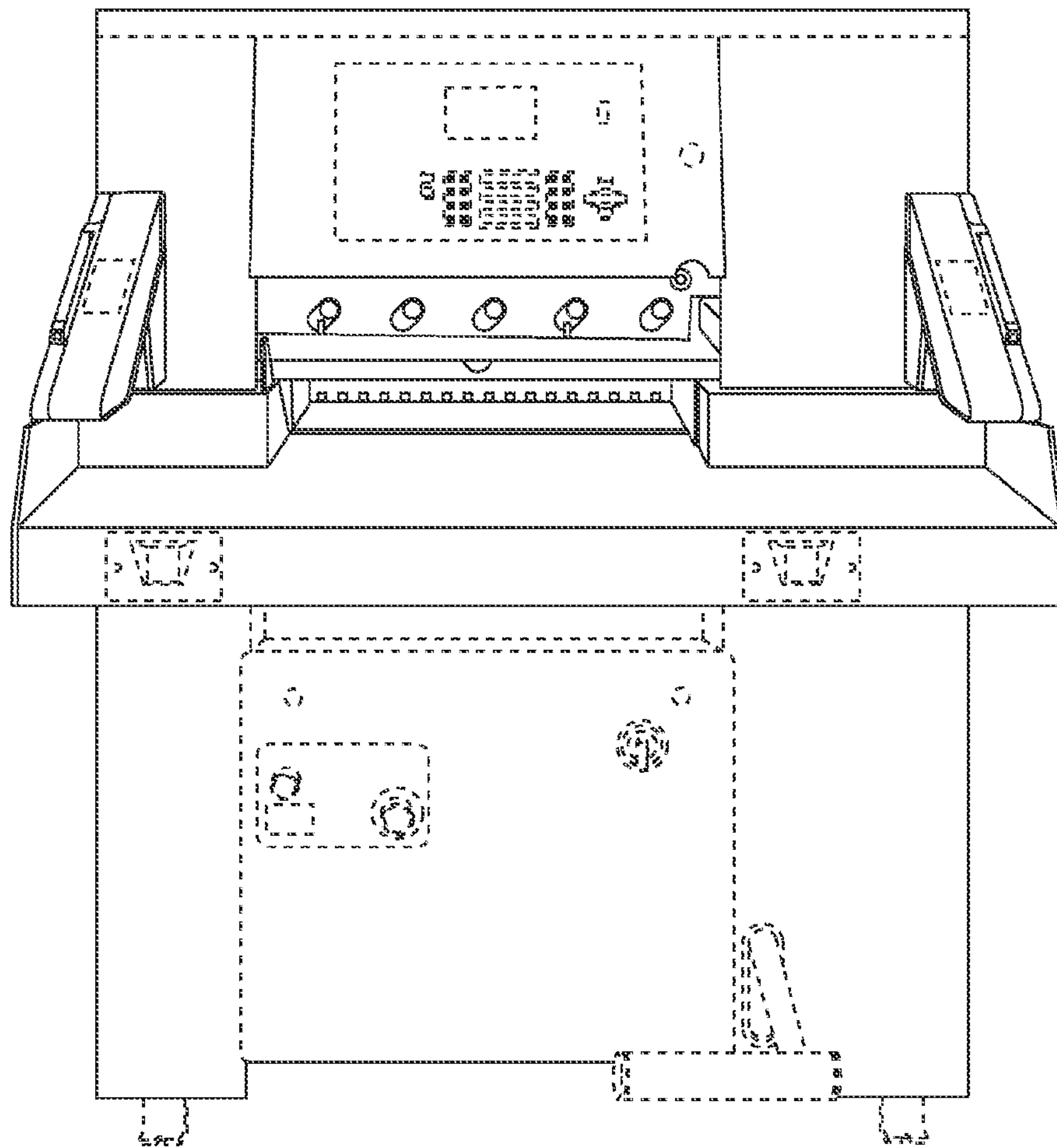


Fig. 1

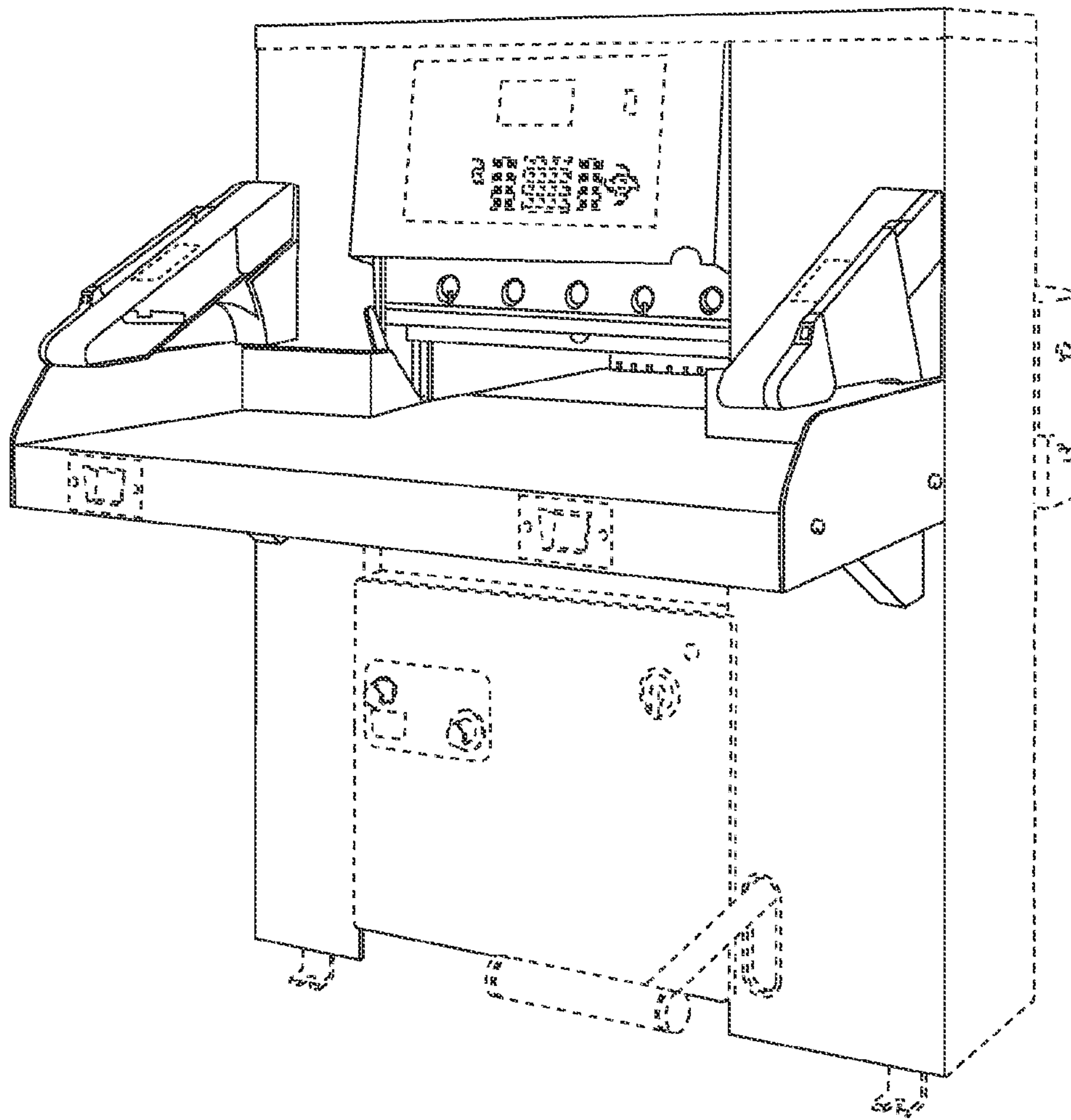


Fig. 2