



US00D692935S

(12) **United States Design Patent**
Meier

(10) **Patent No.:** **US D692,935 S**
(45) **Date of Patent:** **** Nov. 5, 2013**

(54) **COMPACTOR TOOL**

(71) Applicant: **Hamm AG**, Tirschenreuth (DE)

(72) Inventor: **Matthias Meier**, Tirschenreuth (DE)

(73) Assignee: **Hamm AG**, Tirschenreuth (DE)

(**) Term: **14 Years**

(21) Appl. No.: **29/452,842**

(22) Filed: **Apr. 22, 2013**

(30) **Foreign Application Priority Data**

Nov. 23, 2012 (EM) 001352380-0002

(51) **LOC (9) Cl.** **15-09**

(52) **U.S. Cl.**
USPC **D15/123**

(58) **Field of Classification Search**
USPC D8/14, 16, 105; D15/20, 28, 29, 123,
D15/124, 126, 131, 138, 199; 100/902;
241/73, 74, 189.1, 193-197, 294, 300;
404/133.05, 133.1, 133.2; 405/129,
405/131, 271
See application file for complete search history.

(56) **References Cited**

U.S. PATENT DOCUMENTS

2,721,707 A * 10/1955 Reinhardt 241/197
3,099,191 A 7/1963 Averette
3,988,978 A * 11/1976 Flick 100/35
4,208,960 A * 6/1980 Leitgeb 100/35
4,682,539 A * 7/1987 Bramblett et al. 100/265
4,919,566 A 4/1990 Caron et al.

5,176,072 A * 1/1993 Larson 100/90
D362,450 S * 9/1995 Bajadali D15/123
5,954,282 A * 9/1999 Britzke et al. 241/275
D426,556 S * 6/2000 Bradley et al. D15/123
D429,741 S * 8/2000 Warren D15/123
D457,537 S * 5/2002 Bond D15/123
D476,018 S * 6/2003 Hayashi et al. D15/28
6,682,262 B2 1/2004 Caron et al.
7,377,459 B2 * 5/2008 Potts 241/197
D574,400 S * 8/2008 Willibald D15/123
7,494,080 B2 * 2/2009 Knotts 241/197
D637,633 S * 5/2011 Young et al. D15/123
2009/0114751 A1 * 5/2009 Doppstadt et al. 241/197

FOREIGN PATENT DOCUMENTS

DE 1297042 6/1969

* cited by examiner

Primary Examiner — Patricia Palasik

(74) *Attorney, Agent, or Firm* — Michael J. Brown

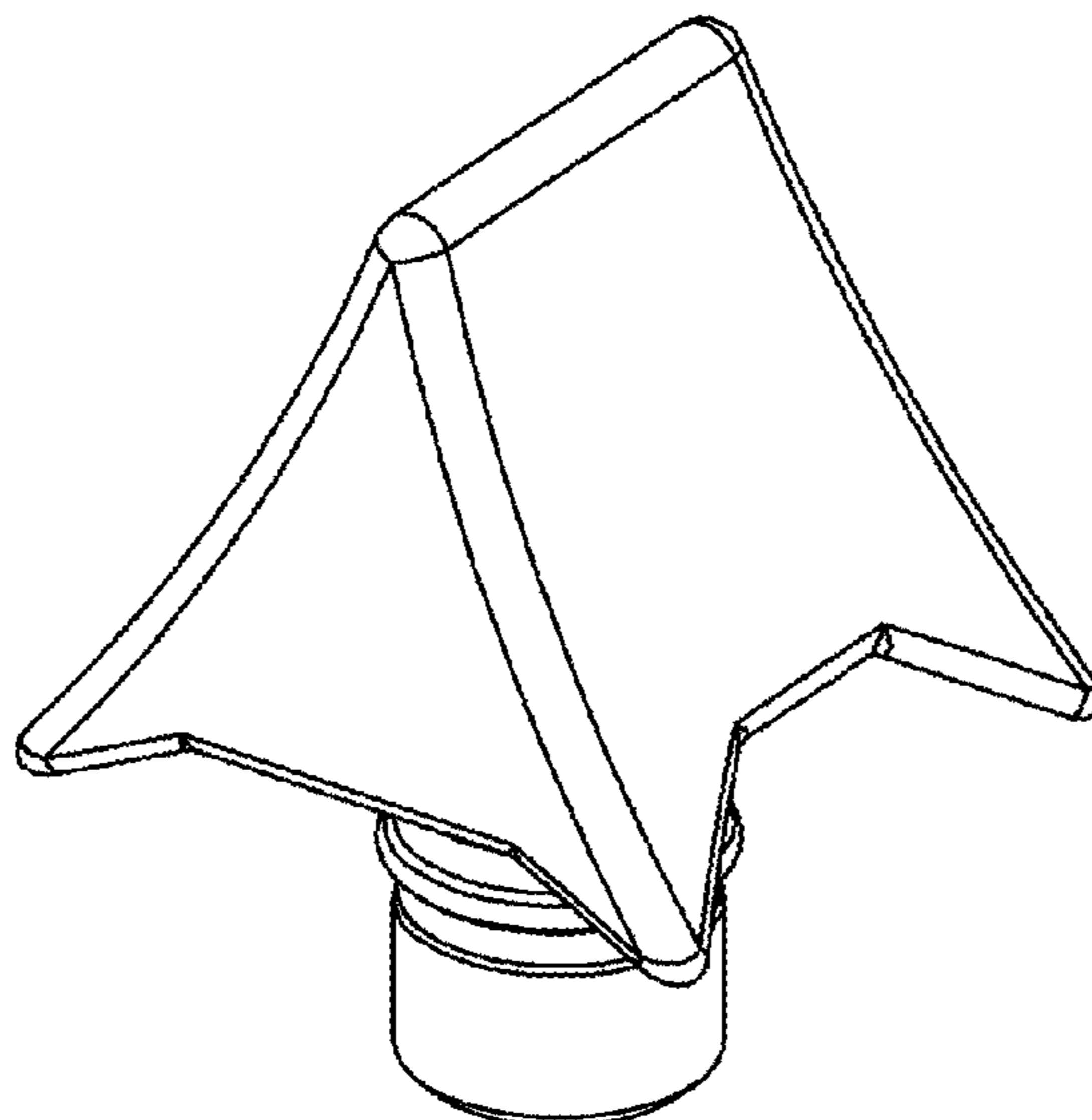
(57) **CLAIM**

The ornamental design for a compactor tool, as shown and described.

DESCRIPTION

FIG. 1 is a front upper perspective view of the new ornamental compactor tool of the present invention.
FIG. 2 is a bottom perspective view thereof.
FIG. 3 is a right side view thereof, the left side view being a mirror image of the right side view.
FIG. 4 is a front view thereof, the rear view being a mirror image of the front view.
FIG. 5 is a top view thereof; and,
FIG. 6 is a bottom view thereof.

1 Claim, 3 Drawing Sheets



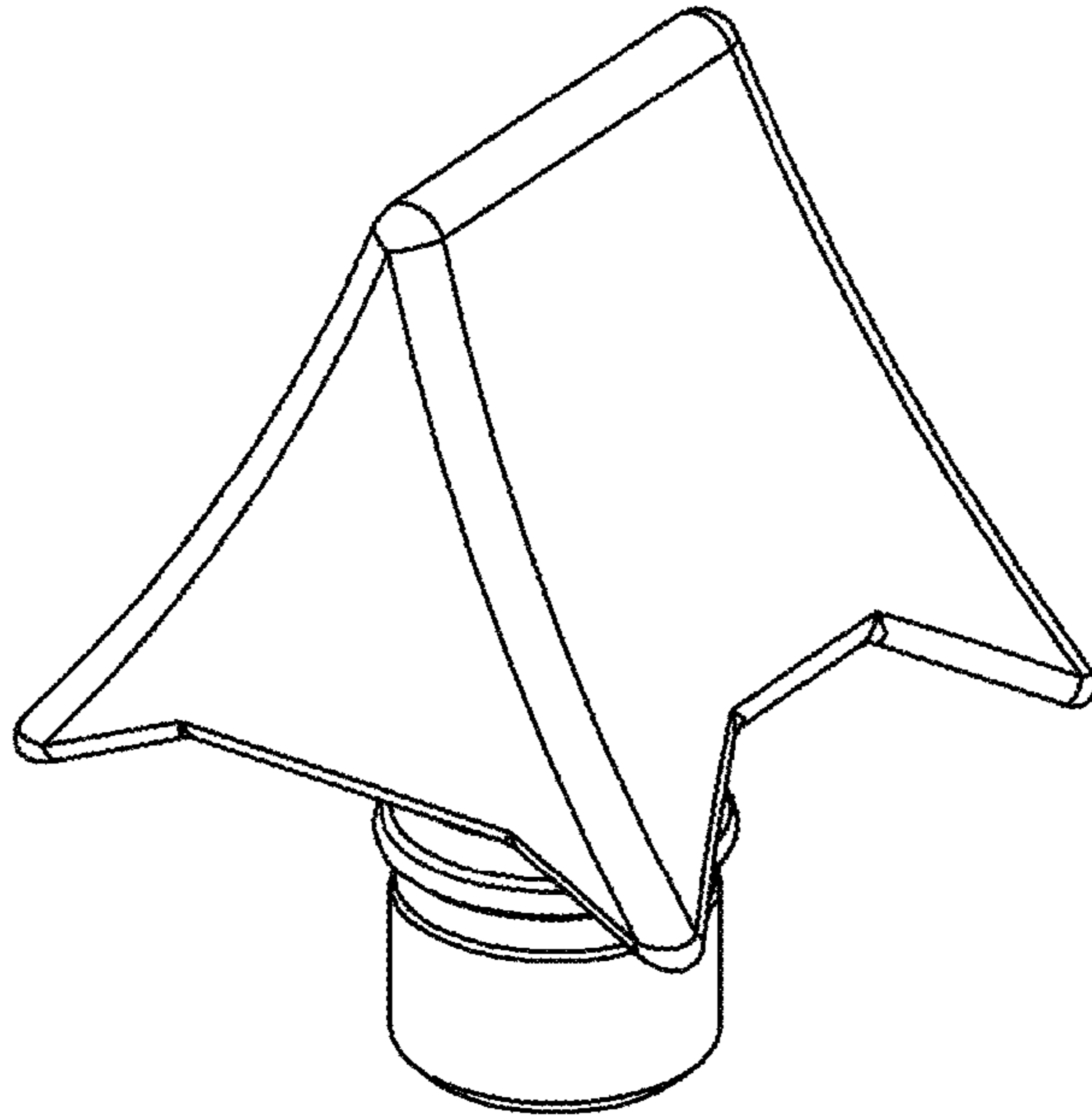


Fig. 1

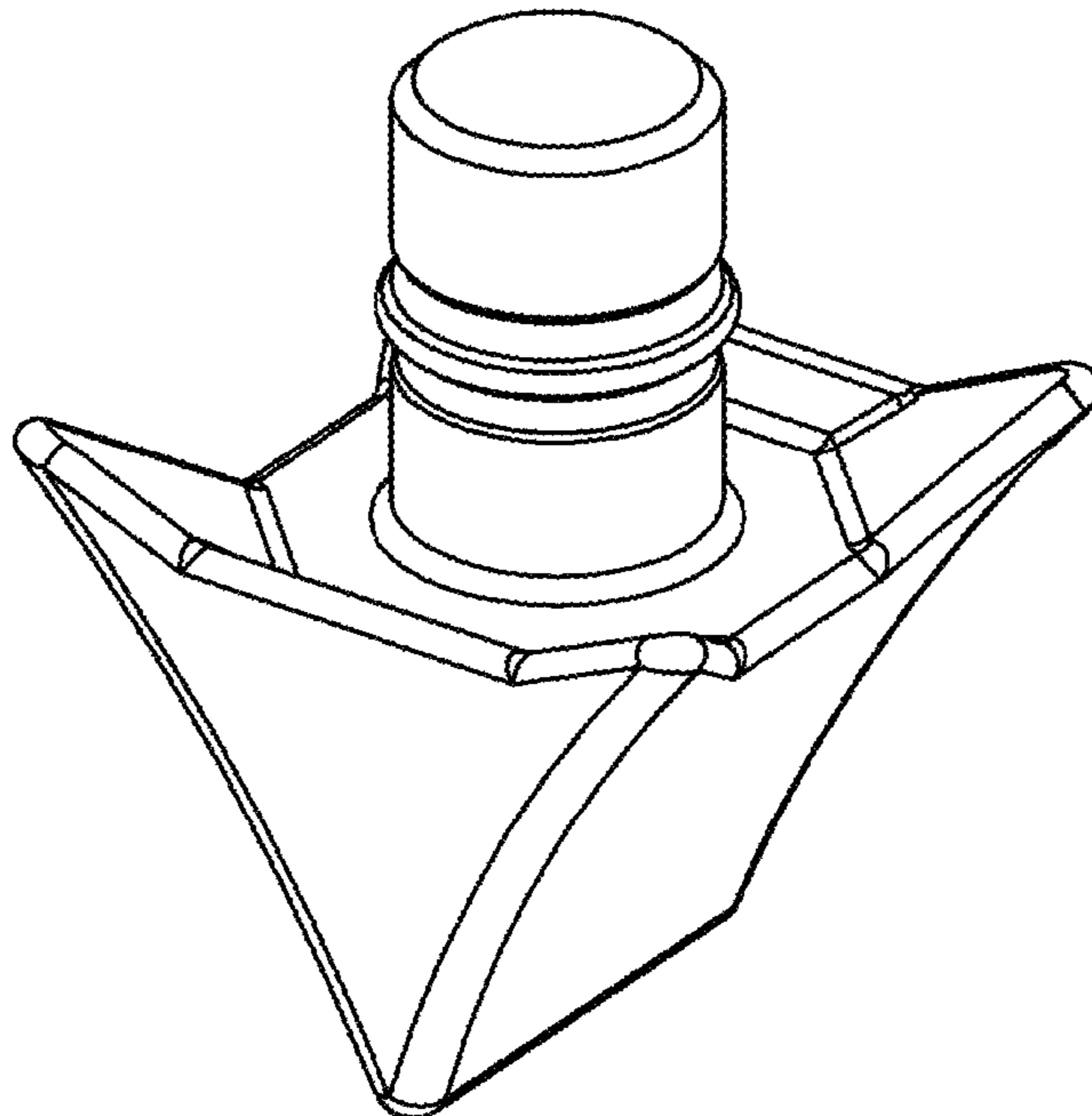


Fig. 2

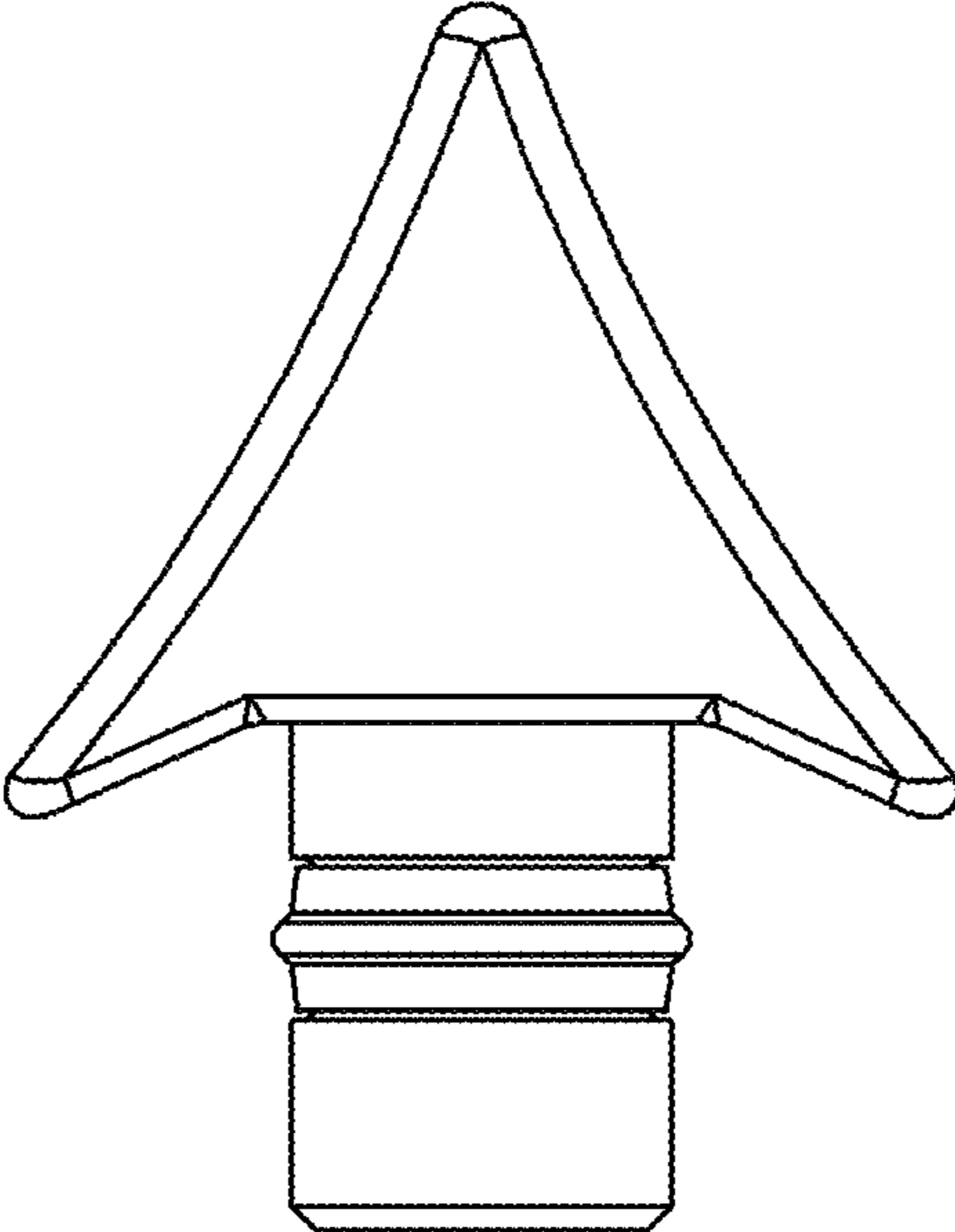


Fig. 3

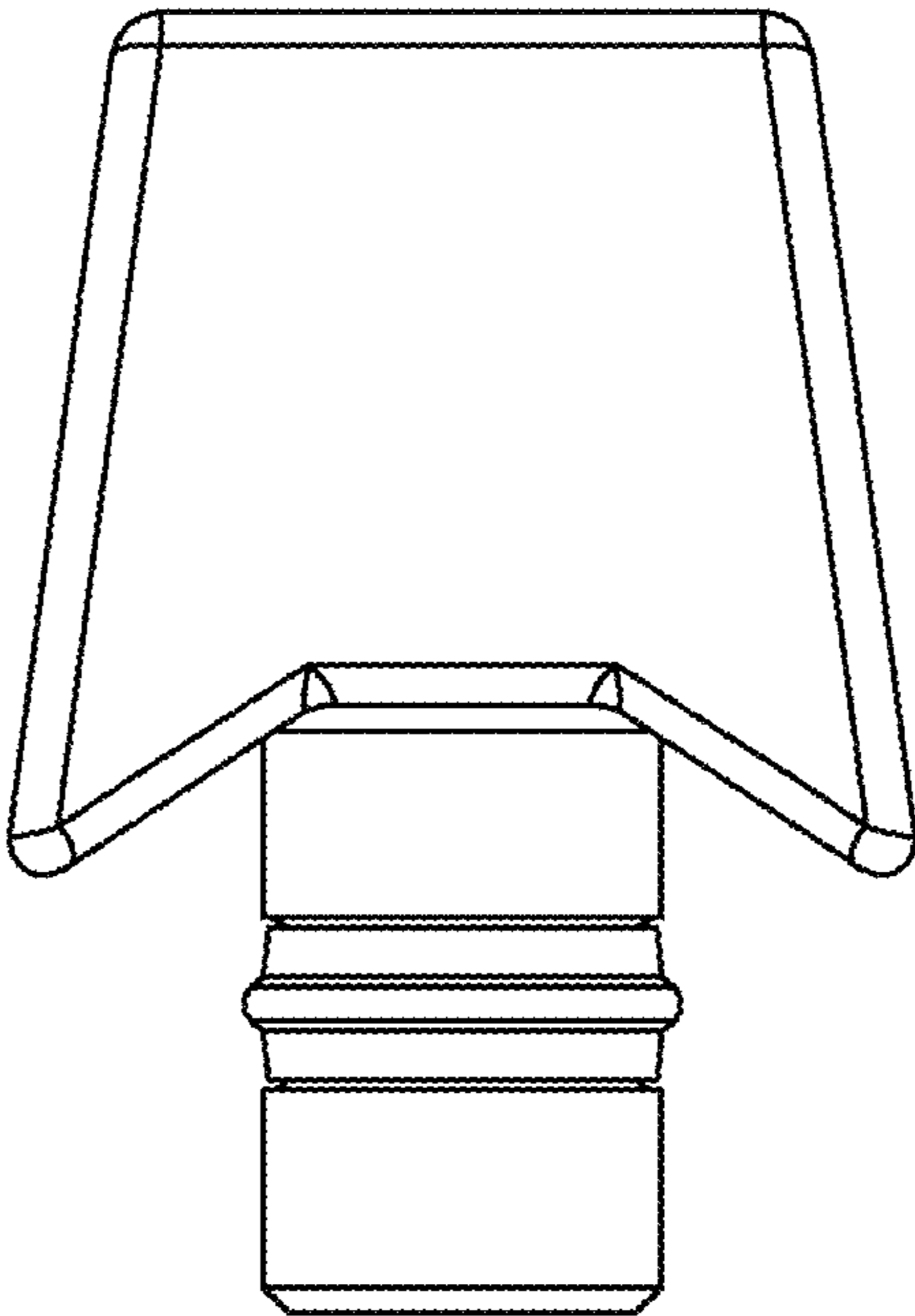


Fig. 4

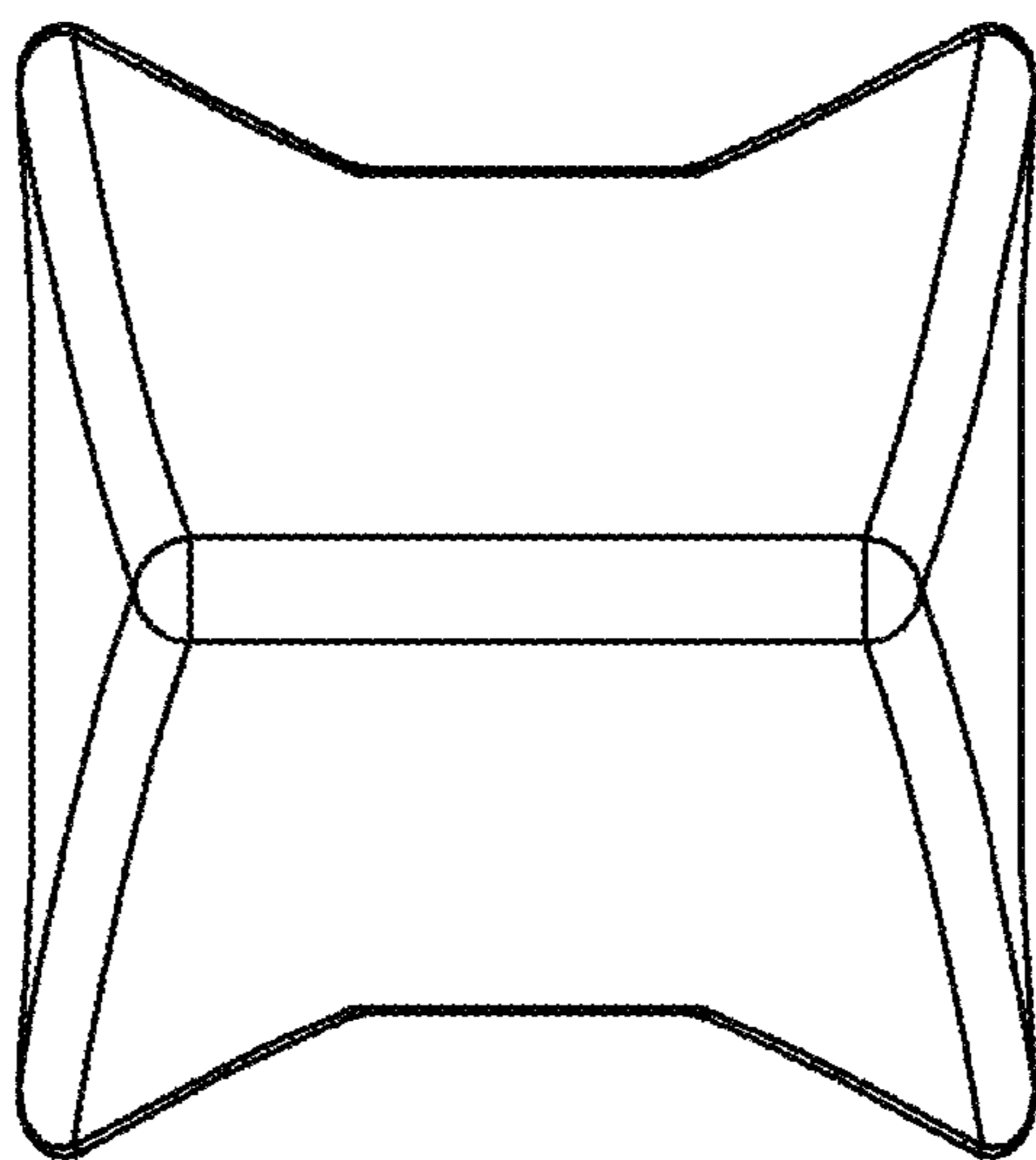


Fig. 5

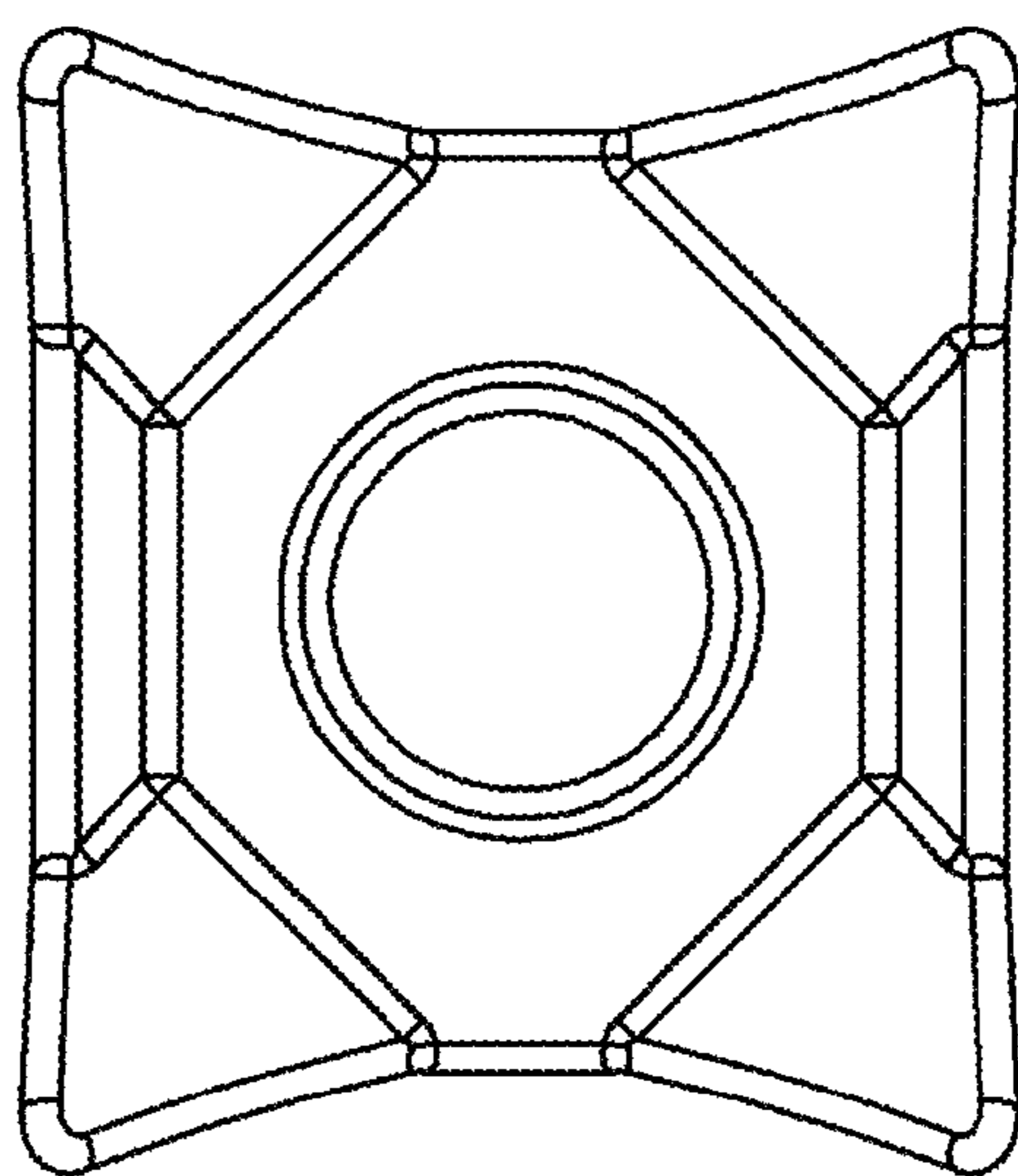


Fig. 6

UNITED STATES PATENT AND TRADEMARK OFFICE
CERTIFICATE OF CORRECTION

PATENT NO. : D692,935 S
APPLICATION NO. : 29/452842
DATED : November 5, 2013
INVENTOR(S) : Matthias Meier

Page 1 of 1

It is certified that error appears in the above-identified patent and that said Letters Patent is hereby corrected as shown below:

Title page, item [30] under Foreign Application Priority Data should read
-- 001352389-0002 --

Signed and Sealed this
Fourth Day of February, 2014



Michelle K. Lee
Deputy Director of the United States Patent and Trademark Office