

US00D692934S

(12) **United States Design Patent**  
**Arai et al.**

(10) **Patent No.:** **US D692,934 S**  
(45) **Date of Patent:** **\*\* Nov. 5, 2013**

(54) **PALLET CHANGER FOR MACHINE TOOL**  
(71) Applicant: **JTEKT Corporation**, Osaka (JP)  
(72) Inventors: **Yoshihiro Arai**, Kariya (JP); **Kozo Imanishi**, Anjo (JP); **Toshiyuki Mizuno**, Chita-gun (JP); **Asami Hara**, Kariya (JP); **Yoshio Ootsuka**, Ichinomiya (JP); **Koji Toyama**, Hekinan (JP)  
(73) Assignee: **JTEKT Corporation**, Osaka-shi (JP)

(\*\*) Term: **14 Years**  
(21) Appl. No.: **29/446,971**  
(22) Filed: **Feb. 28, 2013**

(30) **Foreign Application Priority Data**  
Sep. 5, 2012 (JP) ..... 2012-021403  
Sep. 5, 2012 (JP) ..... 2012-021404  
(51) **LOC (9) Cl.** ..... **15-09**  
(52) **U.S. Cl.**  
USPC ..... **D15/122**  
(58) **Field of Classification Search**  
USPC ..... D15/122, 199; 29/27, 33, 428, 432,  
29/525, 563, 566, 798; 144/2 R, 136 B;  
156/300, 562, 566, 572, 578;  
198/345.3, 346.1; 227/7, 45, 76, 100,  
227/141, 152; 414/226.05, 744.5  
See application file for complete search history.

(56) **References Cited**  
U.S. PATENT DOCUMENTS  
4,832,170 A \* 5/1989 Takeuchi et al. .... 198/346.1  
4,890,371 A \* 1/1990 Camloh et al. .... 29/33 P  
4,934,031 A \* 6/1990 Maeda et al. .... 29/33 P  
5,062,190 A \* 11/1991 Kitamura ..... 29/33 P  
5,145,048 A \* 9/1992 Kitamura ..... 198/346.1  
5,156,254 A \* 10/1992 Kitamura et al. .... 198/346.1  
5,370,212 A \* 12/1994 Mizutani et al. .... 198/346.1

D356,321 S \* 3/1995 McCorkle ..... D15/199  
5,531,004 A \* 7/1996 Ahn ..... 29/33 P  
5,622,247 A \* 4/1997 Yamada ..... 198/346.1  
5,803,229 A \* 9/1998 Hosokawa ..... 198/345.3  
6,148,988 A \* 11/2000 Lin et al. .... 198/346.1  
6,183,188 B1 \* 2/2001 Randazzo et al. .... 414/744.5  
6,193,048 B1 \* 2/2001 Keith ..... 198/346.1  
6,341,928 B1 \* 1/2002 Matsuoka et al. .... 414/226.05  
6,679,369 B2 \* 1/2004 Okuyama ..... 198/346.1  
6,688,452 B2 \* 2/2004 Watanabe et al. .... 198/346.1  
2002/0050439 A1 \* 5/2002 Watanabe et al. .... 198/346.1  
2002/0060127 A1 \* 5/2002 Okuyama ..... 198/346.1  
2004/0107556 A1 \* 6/2004 Yasuda et al. .... 29/27 C  
2006/0118384 A1 \* 6/2006 Funakoshi et al. .... 198/345.3  
2007/0234546 A1 \* 10/2007 Keith et al. .... 29/428  
2008/0067035 A1 \* 3/2008 Keith et al. .... 198/345.3  
2011/0186403 A1 \* 8/2011 Keith et al. .... 198/346.1  
2012/0082532 A1 \* 4/2012 Watanabe et al. .... 414/222.01

**OTHER PUBLICATIONS**

U.S. Appl. No. 29/446,991, filed Feb. 28, 2013, Arai, et al.

\* cited by examiner

*Primary Examiner* — Patricia Palasik  
(74) *Attorney, Agent, or Firm* — Oblon, Spivak, McClelland, Maier & Neustadt, L.L.P.

(57) **CLAIM**  
The ornamental design for a pallet changer for machine tool, as shown and described.

**DESCRIPTION**

FIG. 1 is a plan view of a first embodiment of a pallet changer for machine tool;  
FIG. 2 is a front view thereof;  
FIG. 3 is a right view thereof;  
FIG. 4 is a left view thereof;  
FIG. 5 is a back view thereof; and,  
FIG. 6 is a perspective view thereof.  
The broken lines in the drawings depict environmental subject matter only and form no part of the claimed design.

**1 Claim, 6 Drawing Sheets**

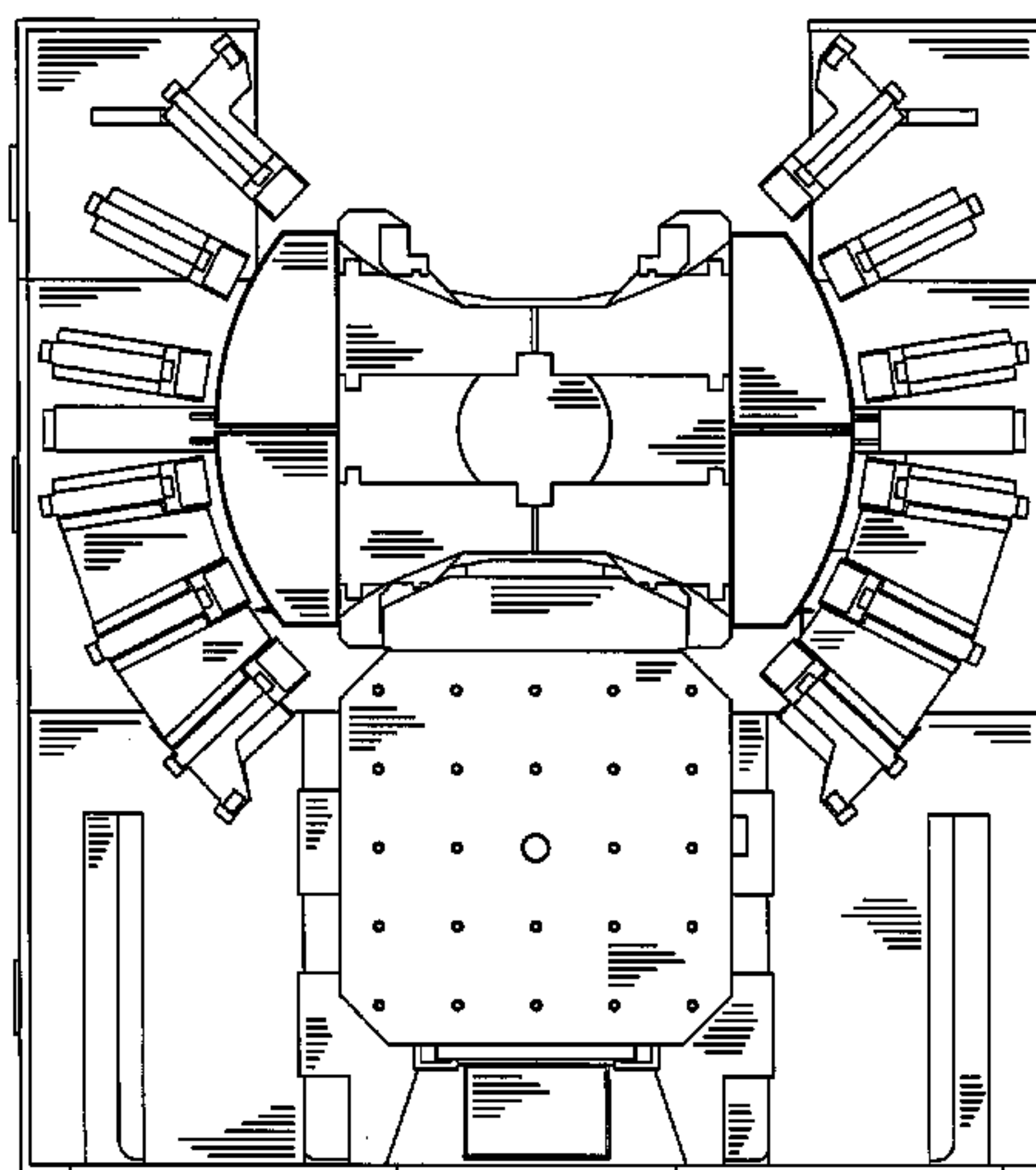


Fig 1

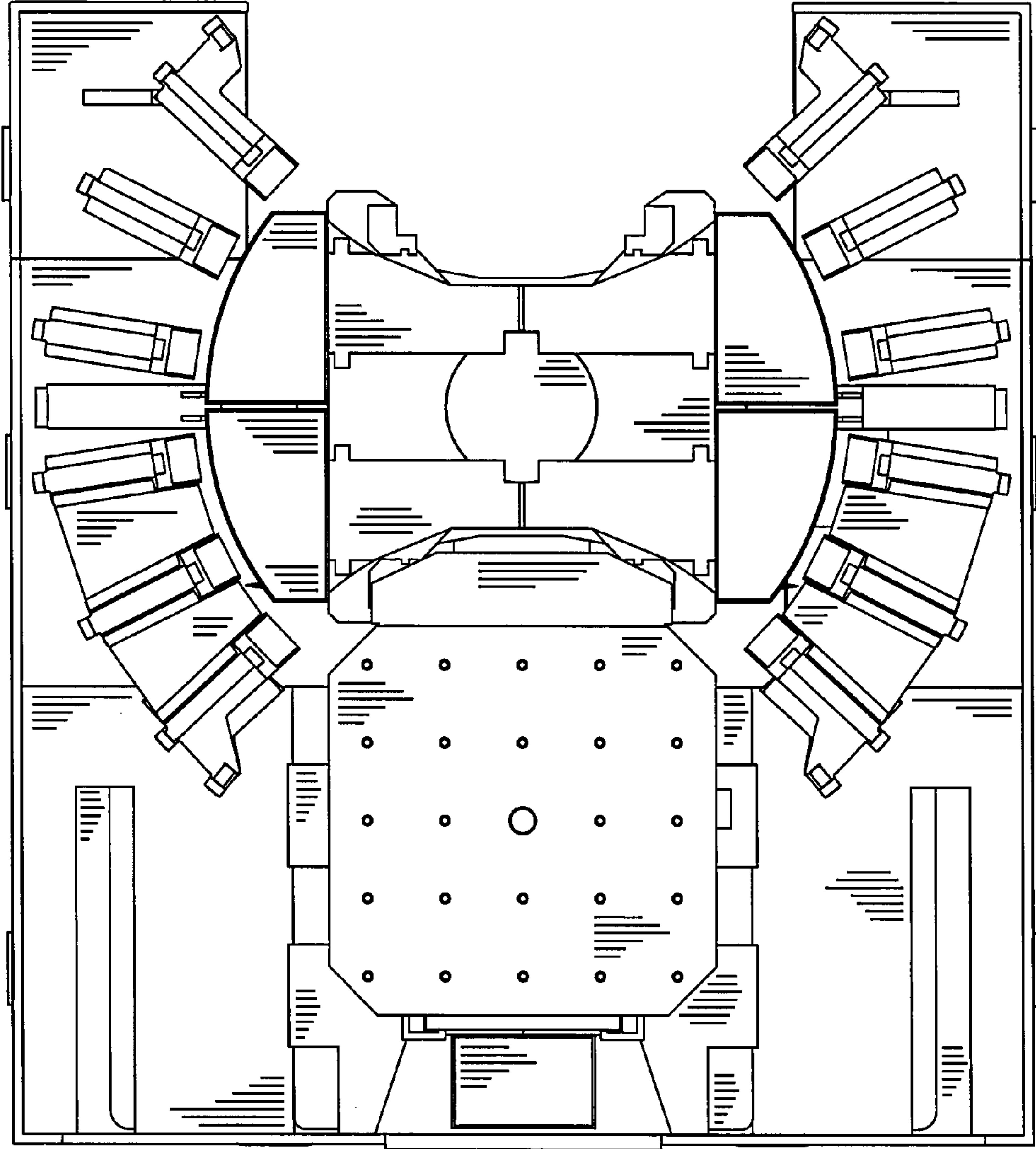


Fig 2

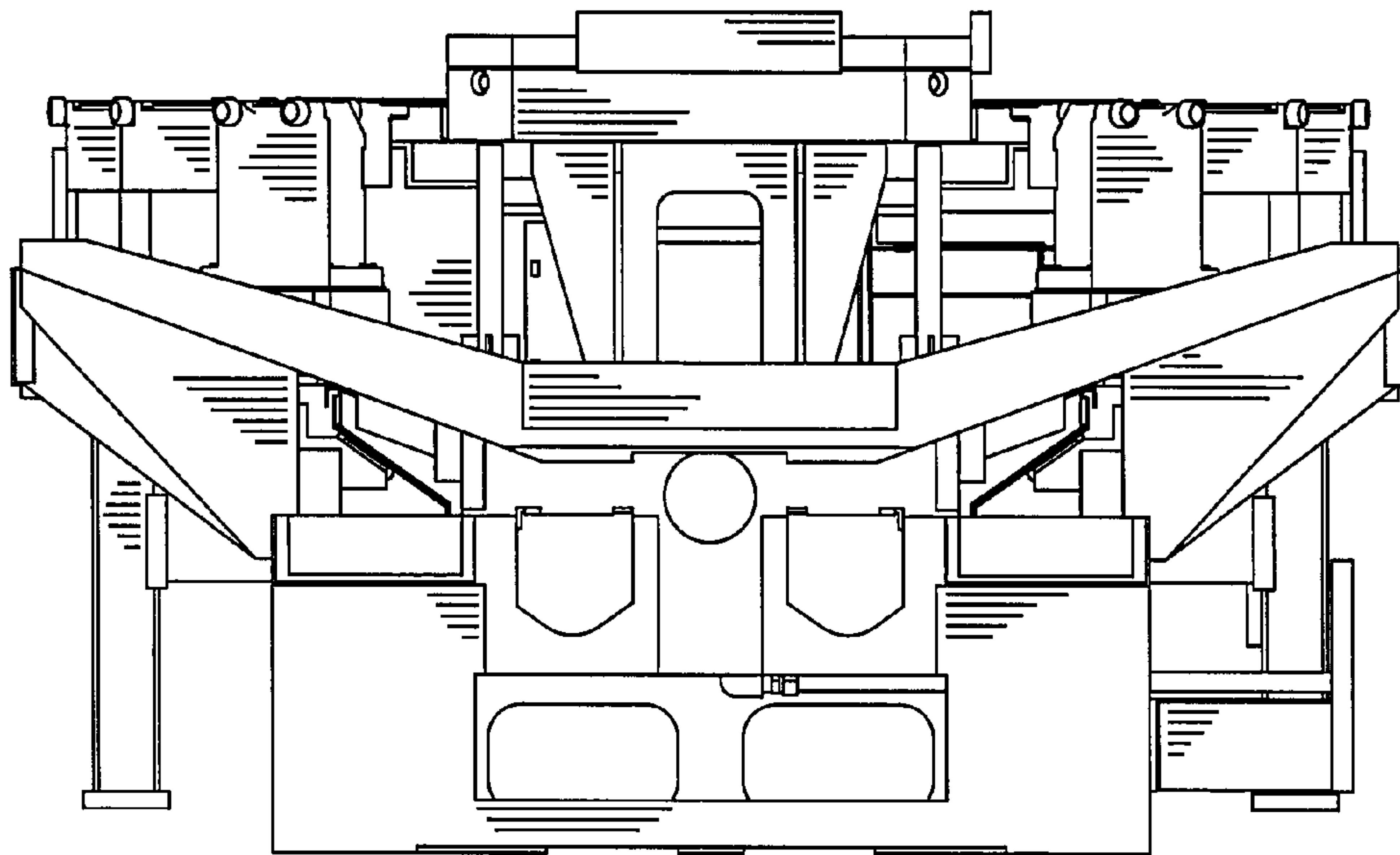


Fig 3

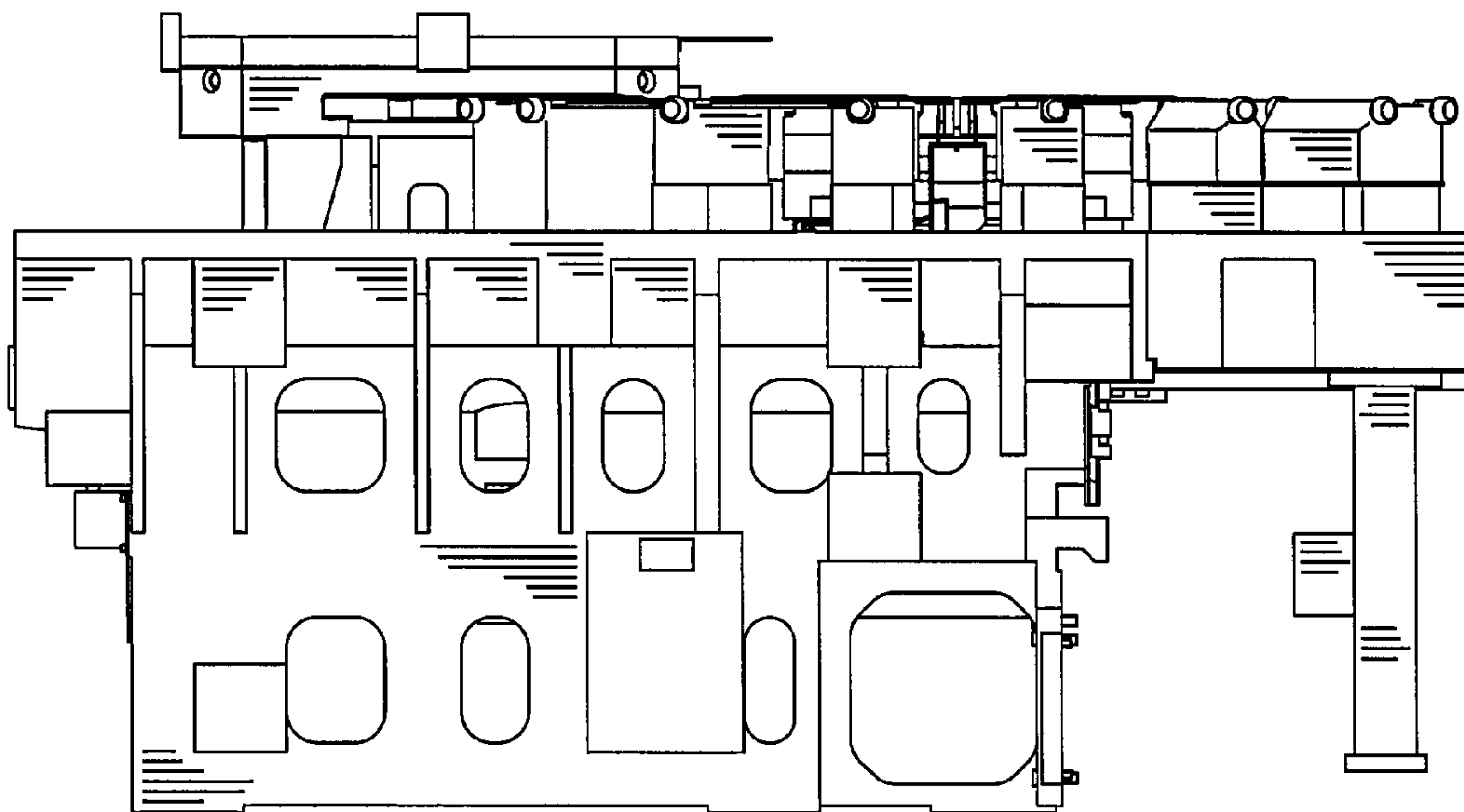


Fig 4

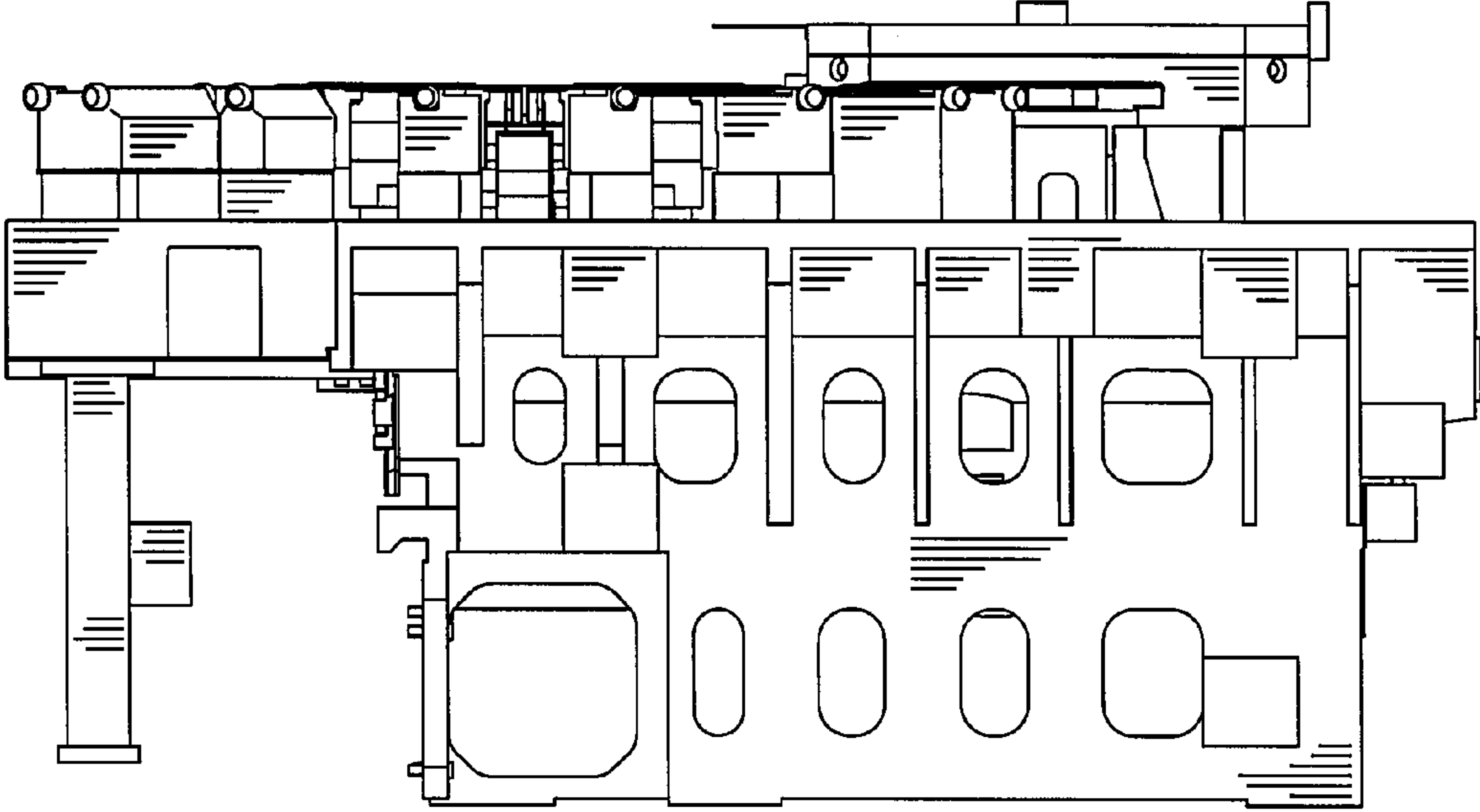


Fig 5

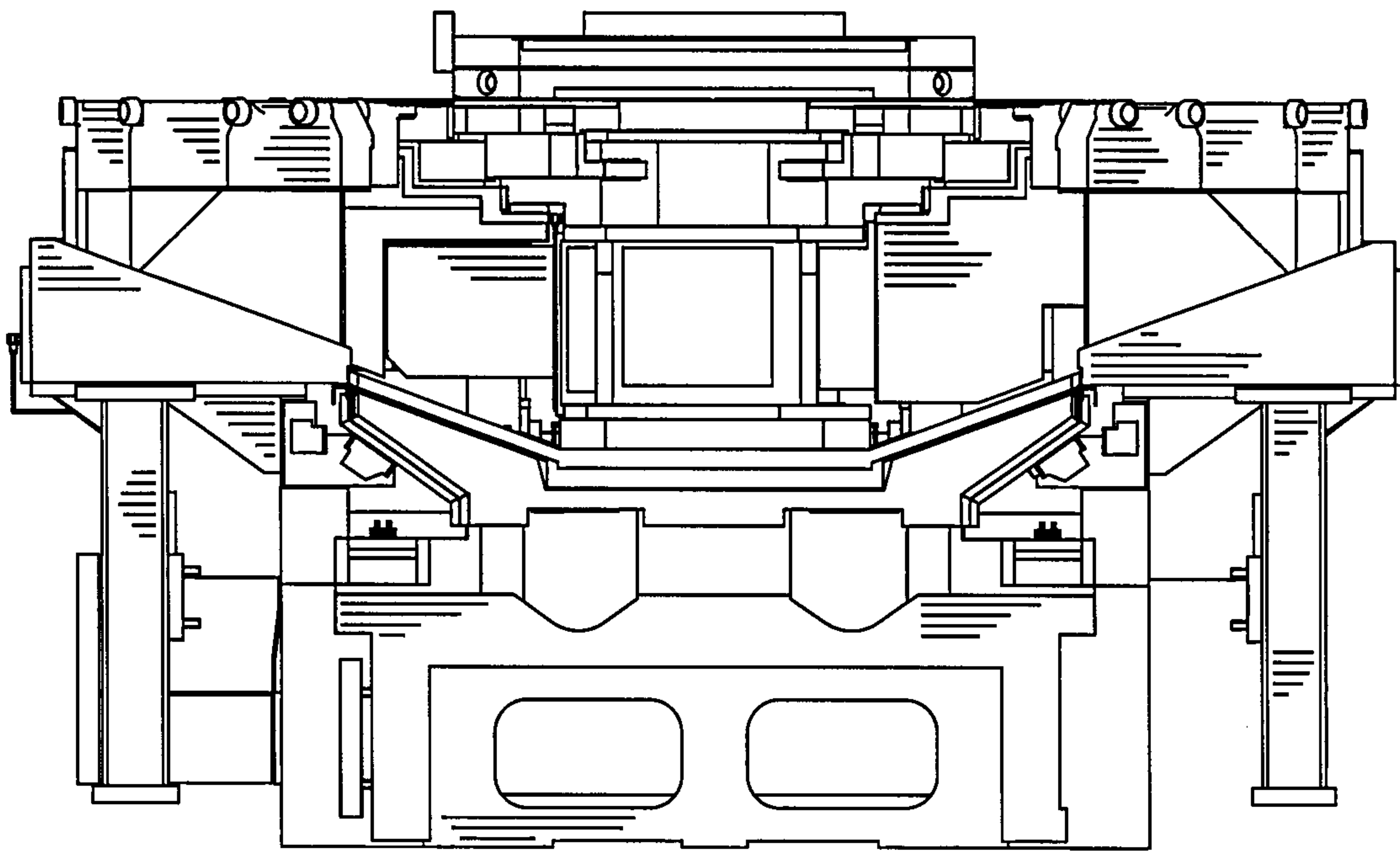




Fig 6

