

US00D692930S

(12) **United States Design Patent**
Grützke et al.

(10) **Patent No.:** **US D692,930 S**

(45) **Date of Patent:** **** Nov. 5, 2013**

(54) **INTERIOR ILLUMINATABLE REFRIGERATOR PANEL**

(75) Inventors: **Joachim Grützke**, Ebersberg (DE);
Andrew Roberson, Long Beach, CA (US)

(73) Assignee: **BSH Home Appliances Corporation**, Irvine, CA (US)

(**) Term: **14 Years**

(21) Appl. No.: **29/427,314**

(22) Filed: **Jul. 17, 2012**

Related U.S. Application Data

(62) Division of application No. 29/389,526, filed on Apr. 13, 2011, now Pat. No. Des. 670,316.

(51) **LOC (9) Cl.** **15-07**

(52) **U.S. Cl.**
USPC **D15/89**

(58) **Field of Classification Search**
USPC D15/79-91; 312/311, 116, 138.1, 236, 312/321.5, 330.1, 401-408; 62/3.6, 3.63, 62/3.64, 125, 126, 440
See application file for complete search history.

(56) **References Cited**

U.S. PATENT DOCUMENTS

7,736,010	B2 *	6/2010	Lee	362/92
D629,819	S *	12/2010	Placke et al.	D15/89
8,021,009	B2 *	9/2011	Knoll et al.	362/92
8,186,844	B2 *	5/2012	Hall	362/127
D670,316	S *	11/2012	Grutzke et al.	D15/81
8,322,873	B2 *	12/2012	Glovatsky et al.	362/92

D673,589 S * 1/2013 Ringemann et al. D15/89

* cited by examiner

Primary Examiner — Mitchell Siegel

(74) *Attorney, Agent, or Firm* — James E. Howard; Andre Pallapies

(57) **CLAIM**

The ornamental design for an interior illuminatable refrigerator panel, as shown and described.

DESCRIPTION

FIG. 1 is a front perspective view of a portion of an interior, illuminatable refrigerator panel according to a first embodiment showing our new ornamental design; FIG. 2 is a front view thereof; and FIG. 3 is a top view thereof.

The interior refrigerator panel of FIGS. 1-3 includes two seamless adjacent contrasting portions.

FIG. 4 is a front perspective view of a portion of an interior, illuminatable refrigerator panel according to a second embodiment showing our new ornamental design;

FIG. 5 is a front view thereof; FIG. 6 is a rear view thereof; FIG. 7 is a top view thereof; and FIG. 8 is a rear perspective view thereof.

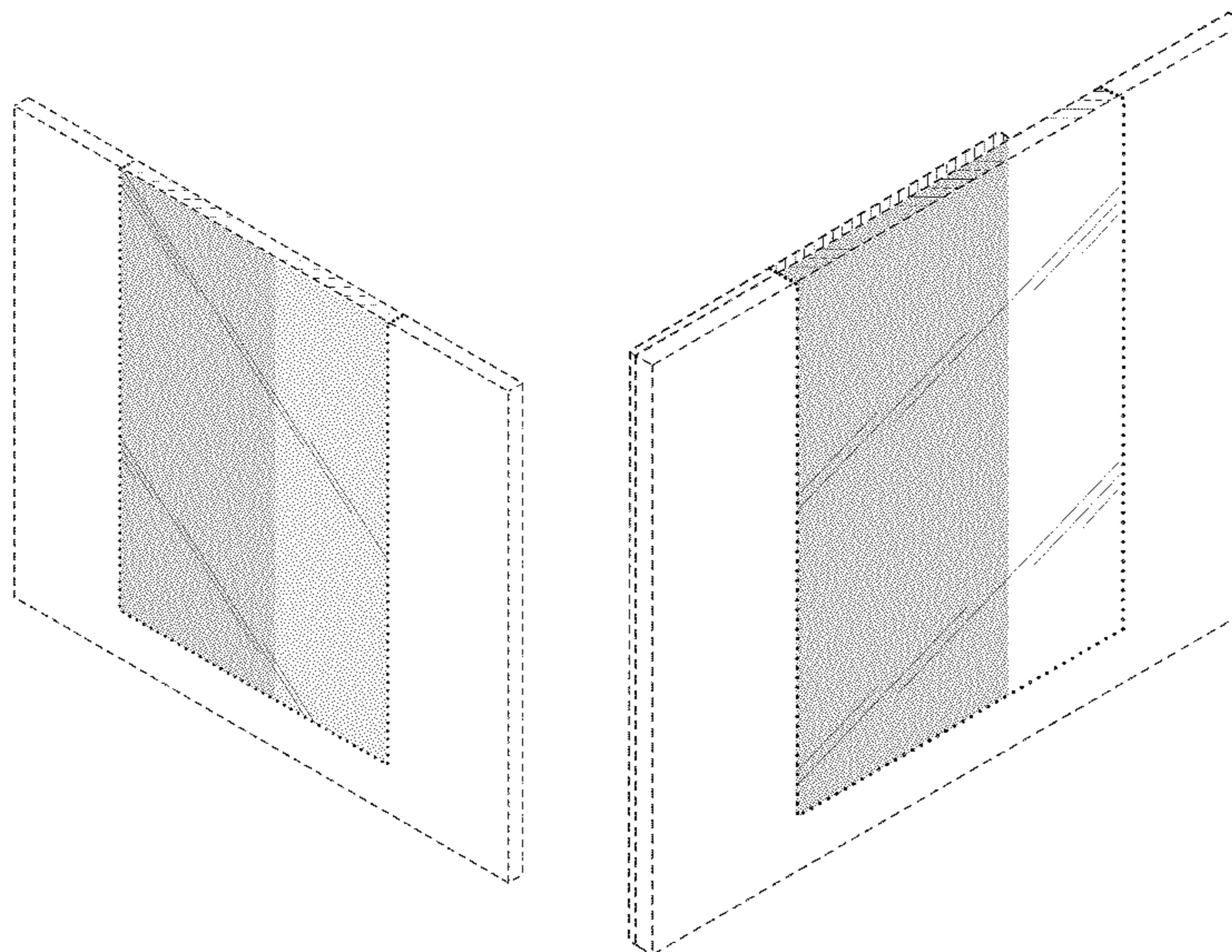
The interior refrigerator panel of FIGS. 4-8 includes a single piece of transparent material with adjacent contrasting portions; and,

FIG. 9 is a perspective view of a refrigerator showing the panel of the first and second embodiments in as installed in the refrigerator.

The broken lines represent environment or structure and do not form any part of the claimed design.

The dotted lines represent the border between claimed and unclaimed portions of the design and do not form a part of the claimed design.

1 Claim, 7 Drawing Sheets



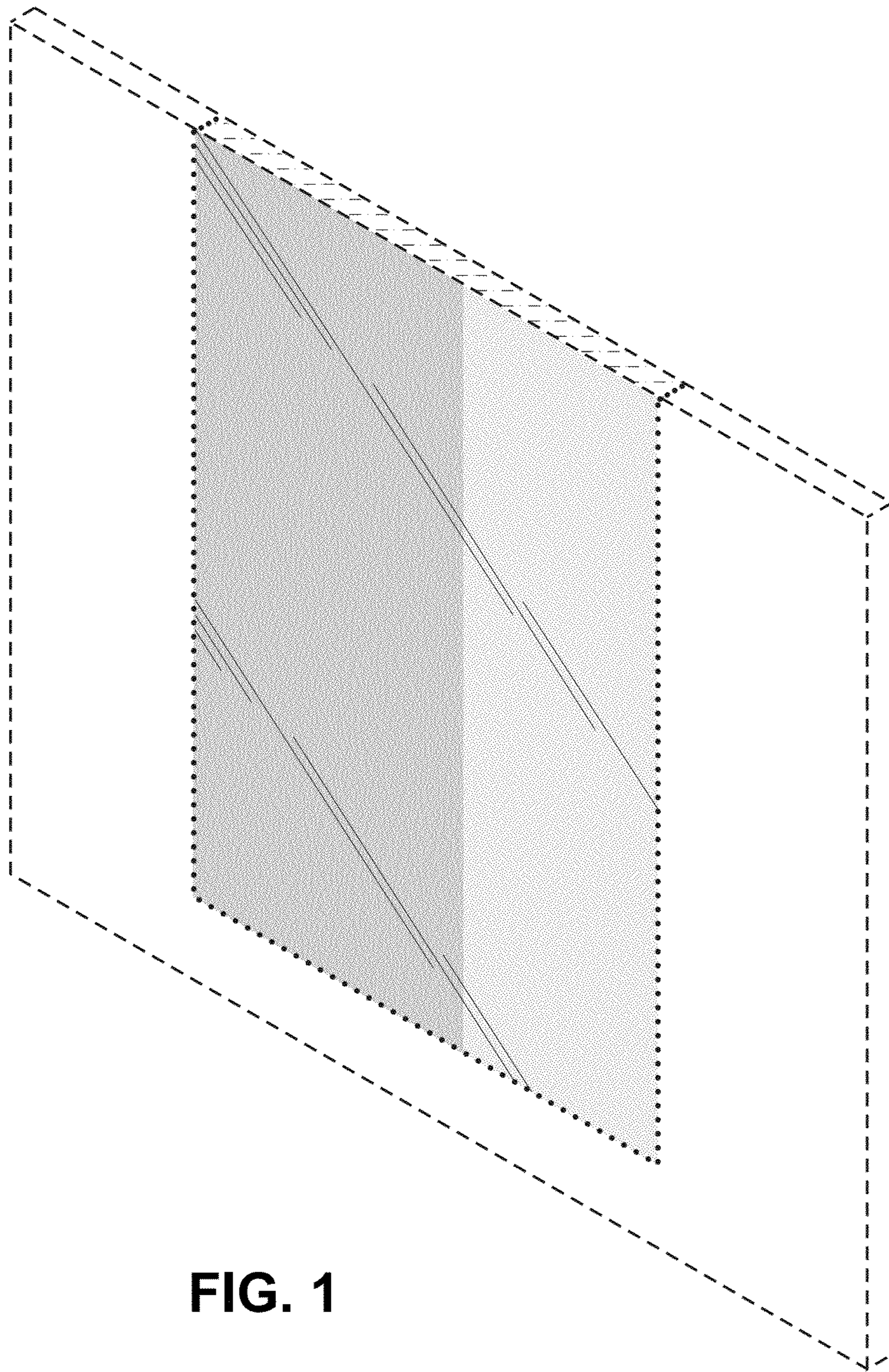


FIG. 1

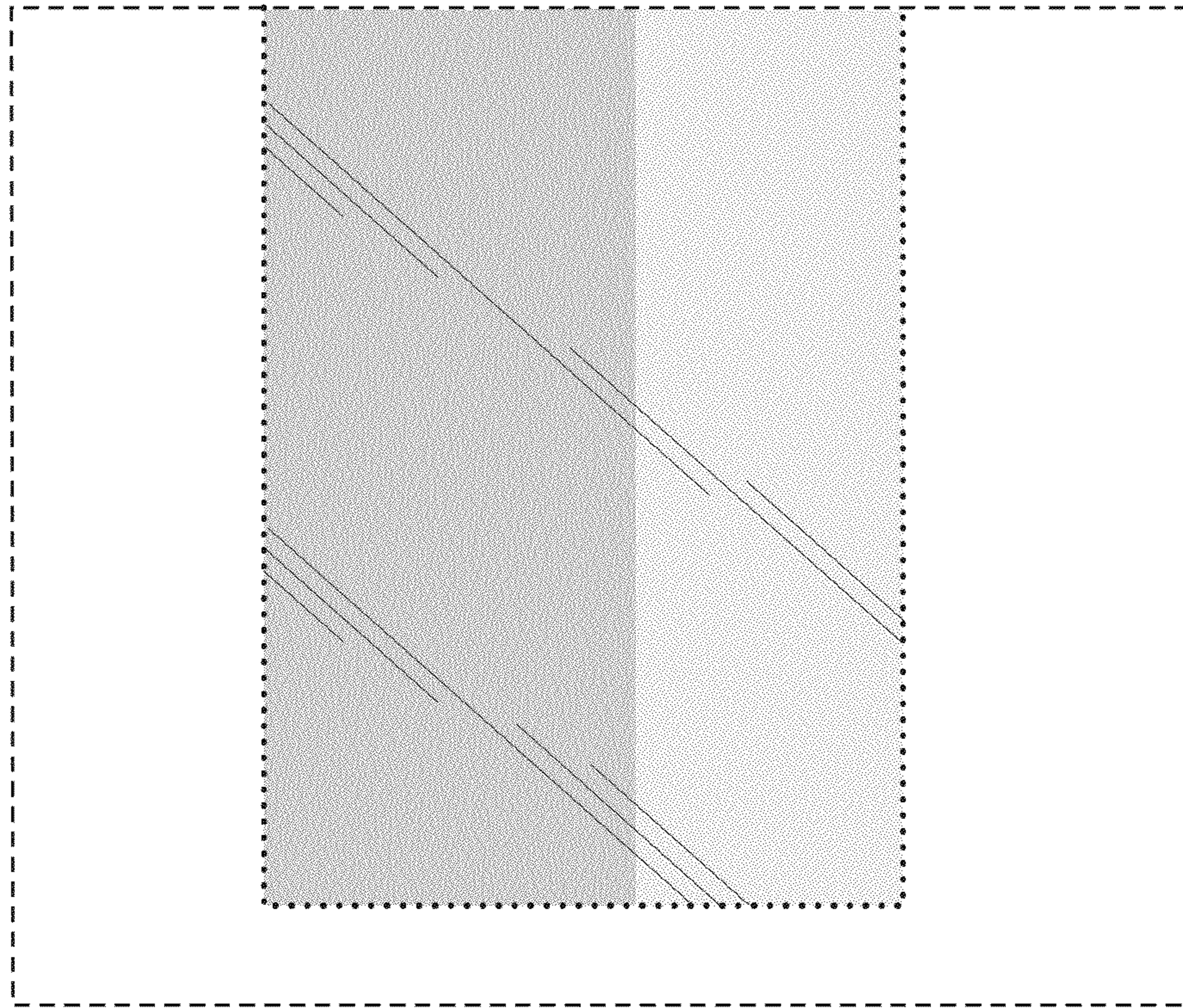


FIG. 2

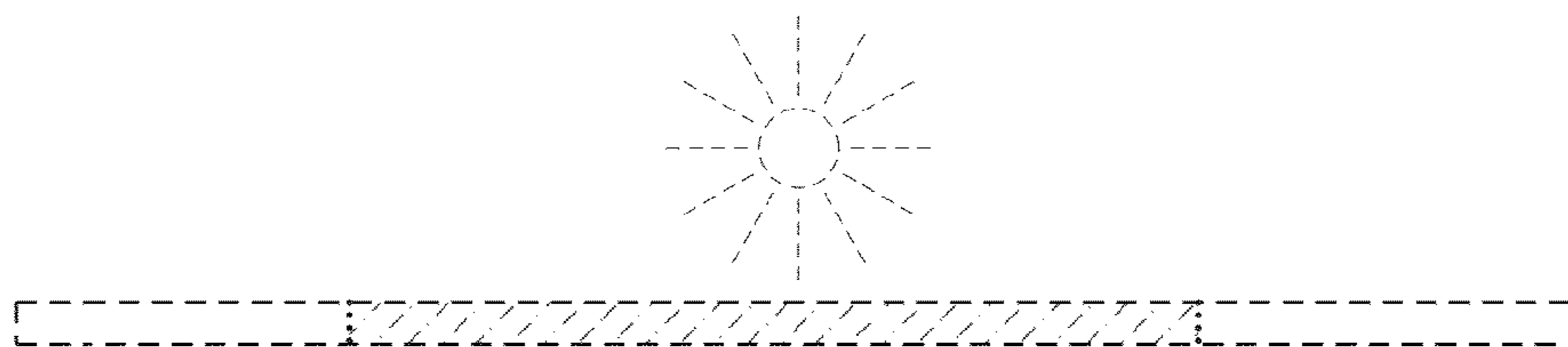


FIG. 3

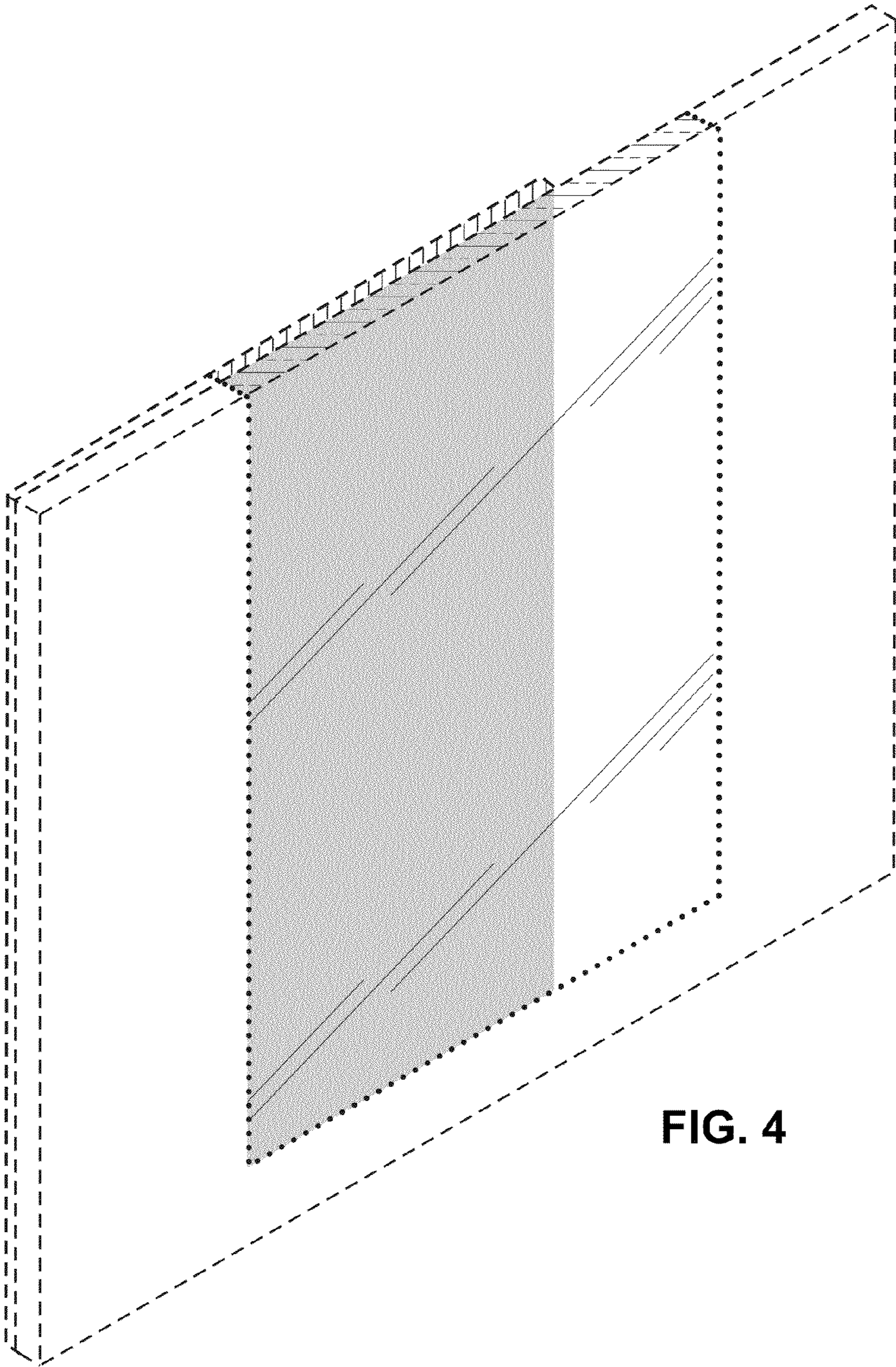


FIG. 4

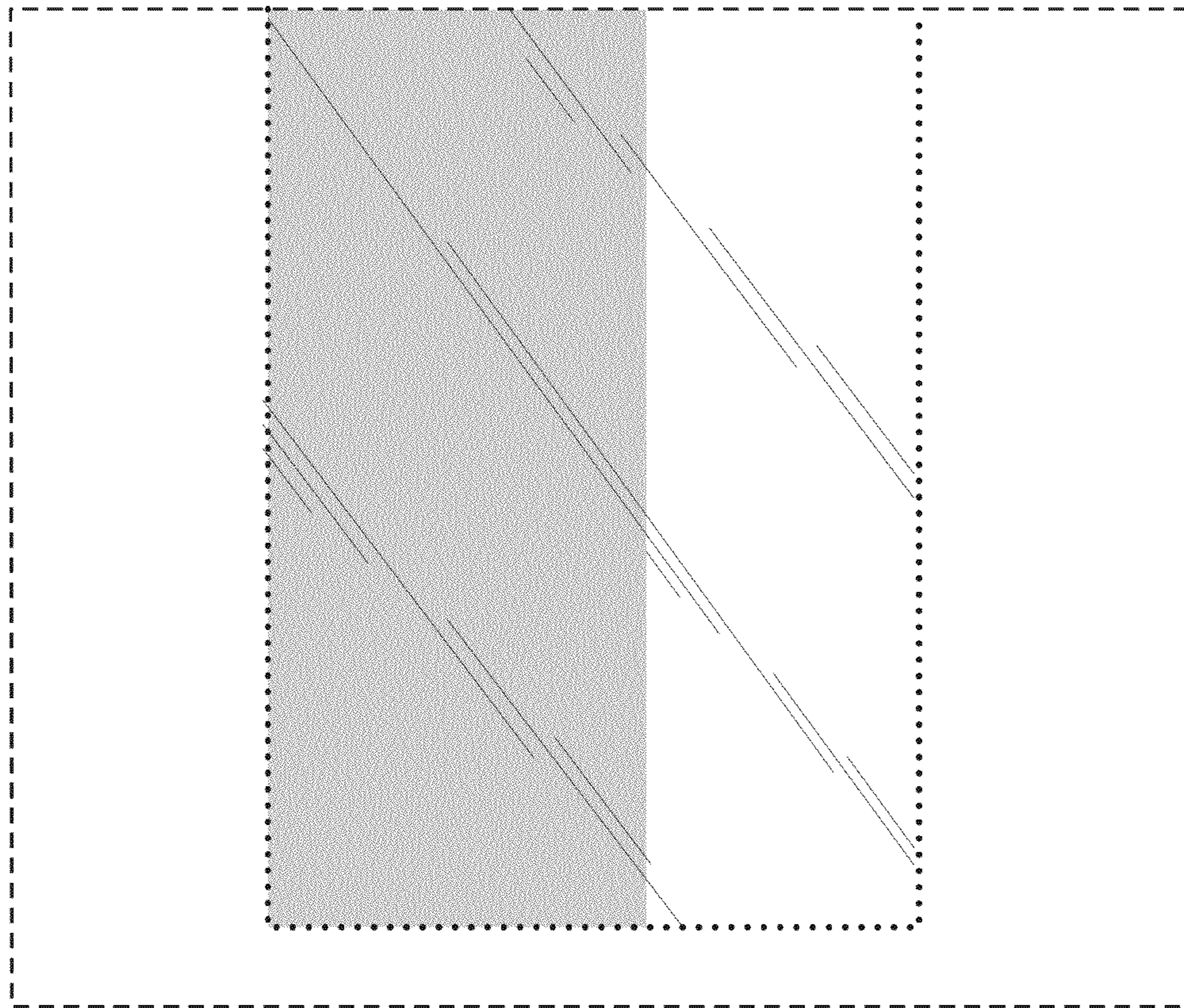


FIG. 5

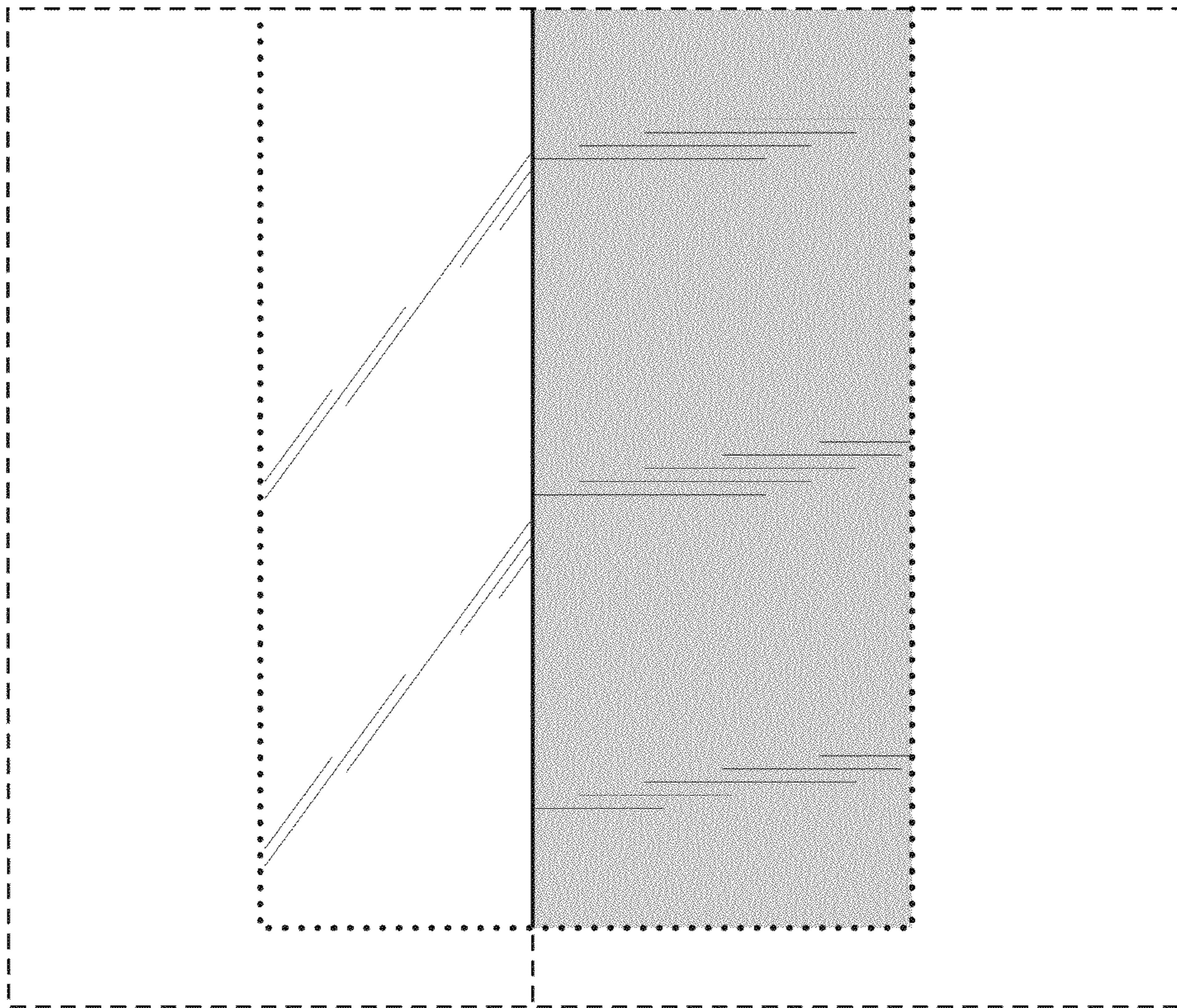


FIG. 6

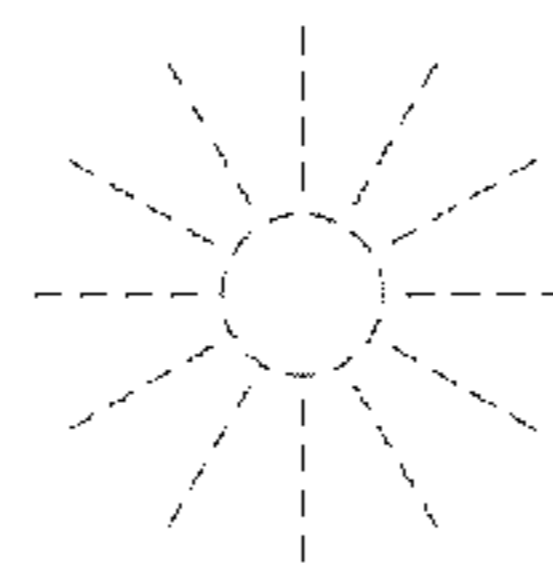


FIG. 7

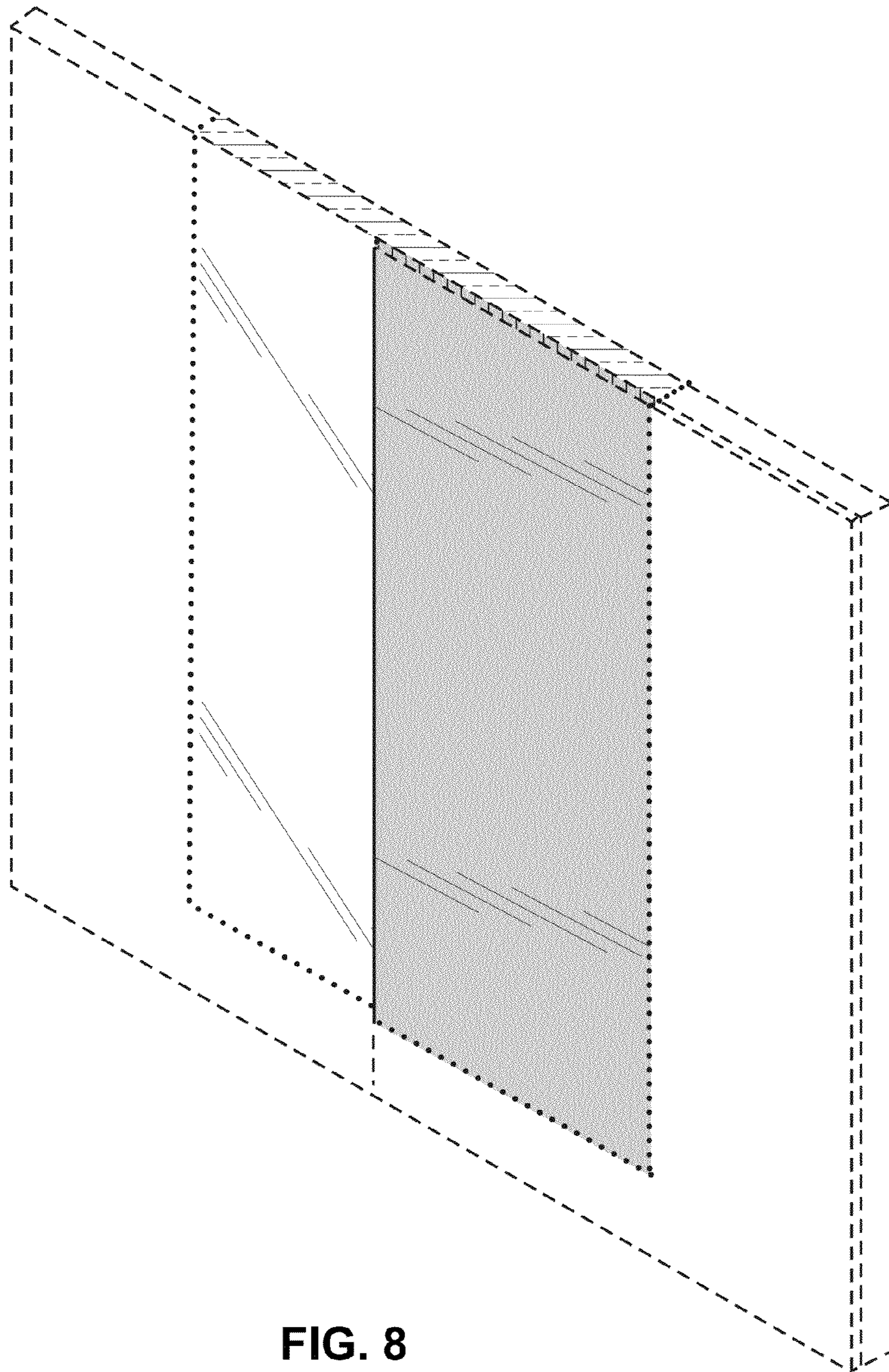


FIG. 8

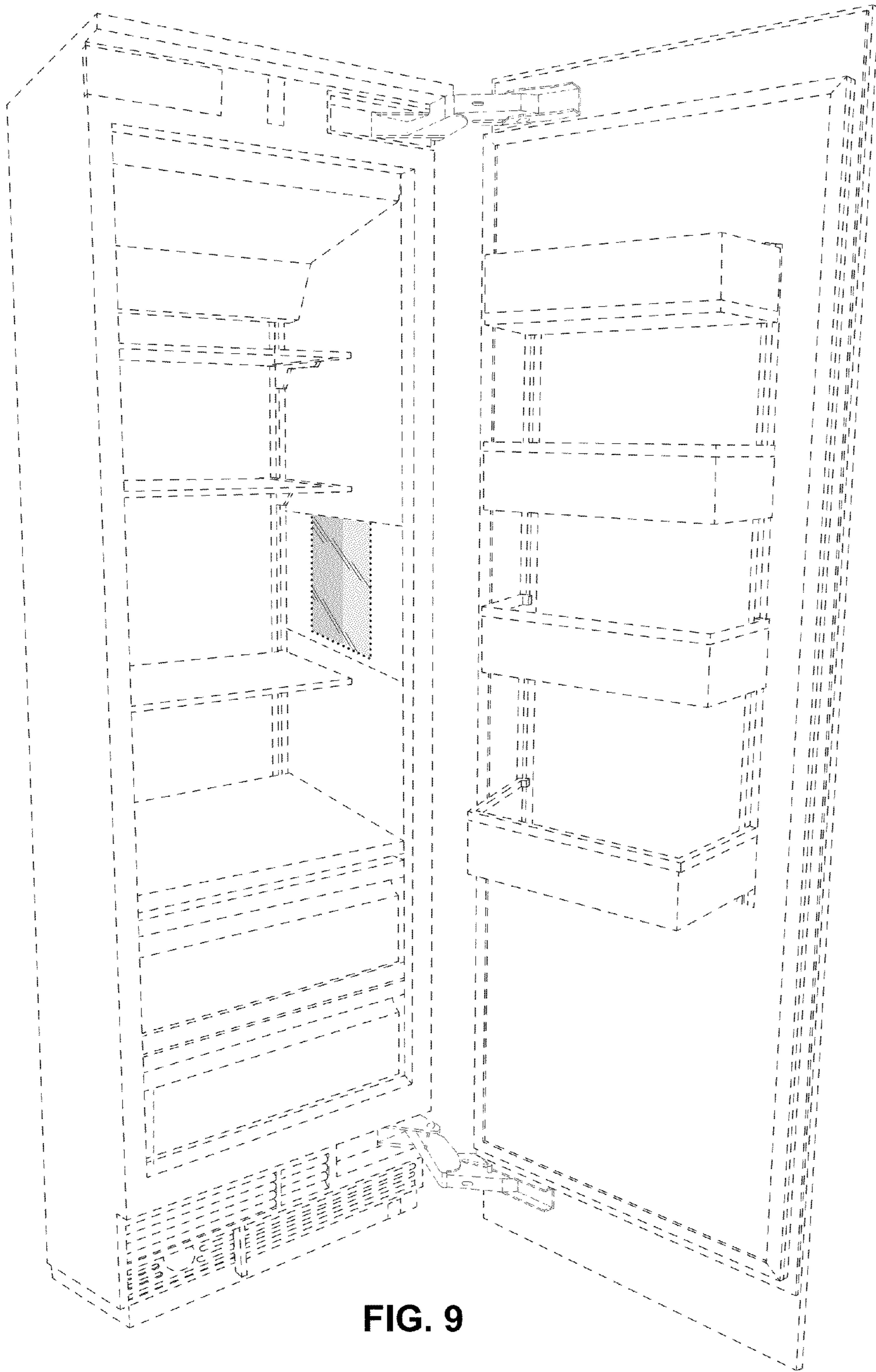


FIG. 9