



US00D692928S

(12) **United States Design Patent**
Crow

(10) **Patent No.:** **US D692,928 S**

(45) **Date of Patent:** **** Nov. 5, 2013**

(54) **YARN CONE HOLDER**

D447,755 S * 9/2001 Howard D15/72
D486,837 S * 2/2004 Mori et al. D15/72
D565,608 S * 4/2008 Hirate et al. D15/72

(71) Applicant: **Mitchell A. Crow**, Calhoun, GA (US)

* cited by examiner

(72) Inventor: **Mitchell A. Crow**, Calhoun, GA (US)

Primary Examiner — Mitchell Siegel

(**) Term: **14 Years**

(74) *Attorney, Agent, or Firm* — Rodgers & Rodgers

(21) Appl. No.: **29/436,553**

(22) Filed: **Nov. 7, 2012**

(57) **CLAIM**

(51) **LOC (9) Cl.** **15-06**

The ornamental design for a yarn cone holder, as shown and described.

(52) **U.S. Cl.**

USPC **D15/78**

(58) **Field of Classification Search**

USPC D15/66-72, 78; 211/1.53, 85.5;
112/270, 279, 400, 258-261,
112/217.1-217.4, 475.01; 242/134, 597.7,
242/130; 57/261, 279, 352, 18

See application file for complete search history.

DESCRIPTION

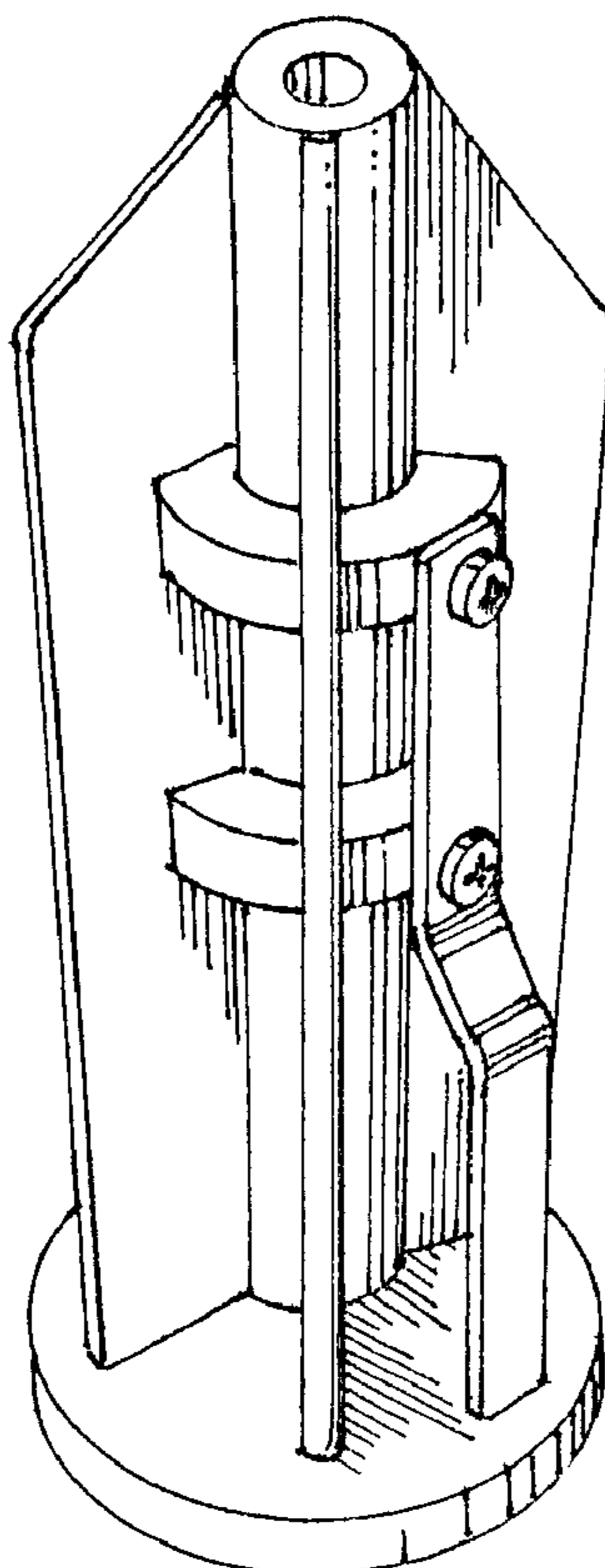
FIG. 1 is a perspective view of a yarn cone holder showing my new design;
FIG. 2 is a front elevational view thereof;
FIG. 3 is a right-side elevational view thereof;
FIG. 4 is a rear elevational view thereof;
FIG. 5 is a left-side elevational view thereof;
FIG. 6 is a top plan view thereof; and,
FIG. 7 is a bottom plan view thereof.

(56) **References Cited**

U.S. PATENT DOCUMENTS

3,935,698 A * 2/1976 Lesnik 57/18
4,705,231 A * 11/1987 Green 242/130

1 Claim, 2 Drawing Sheets



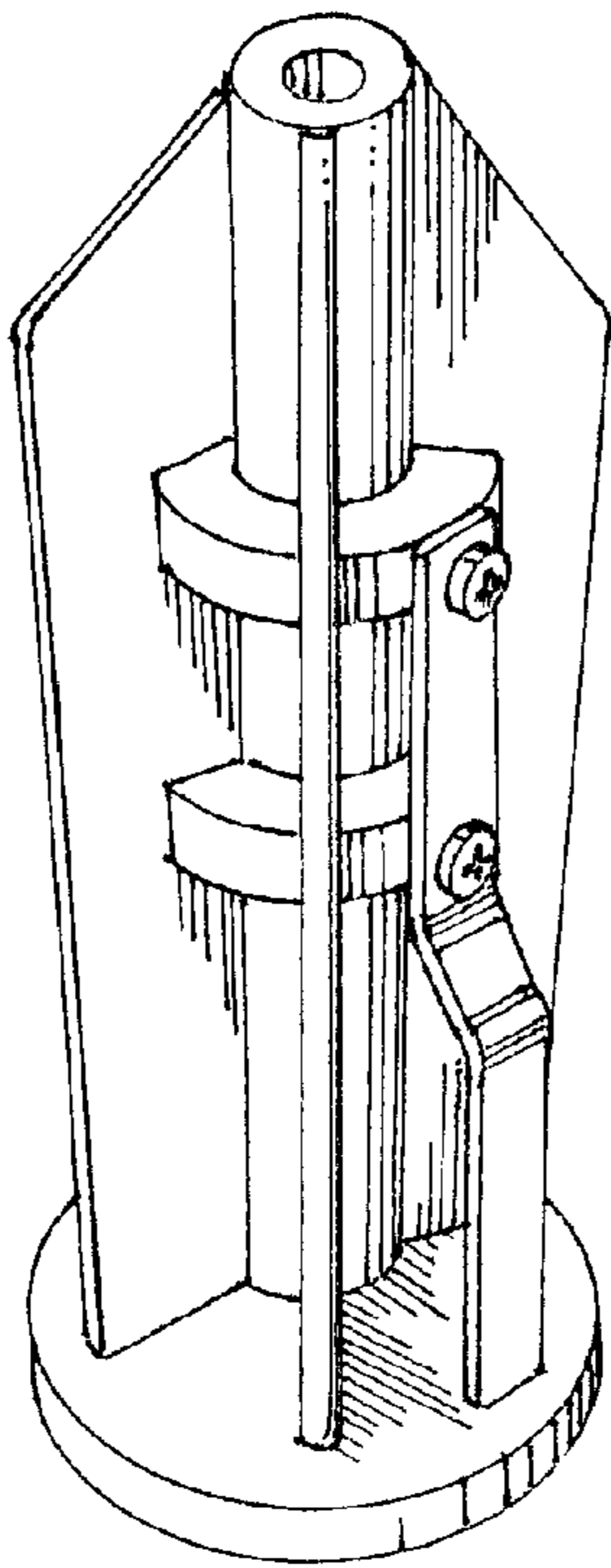


FIG. 1

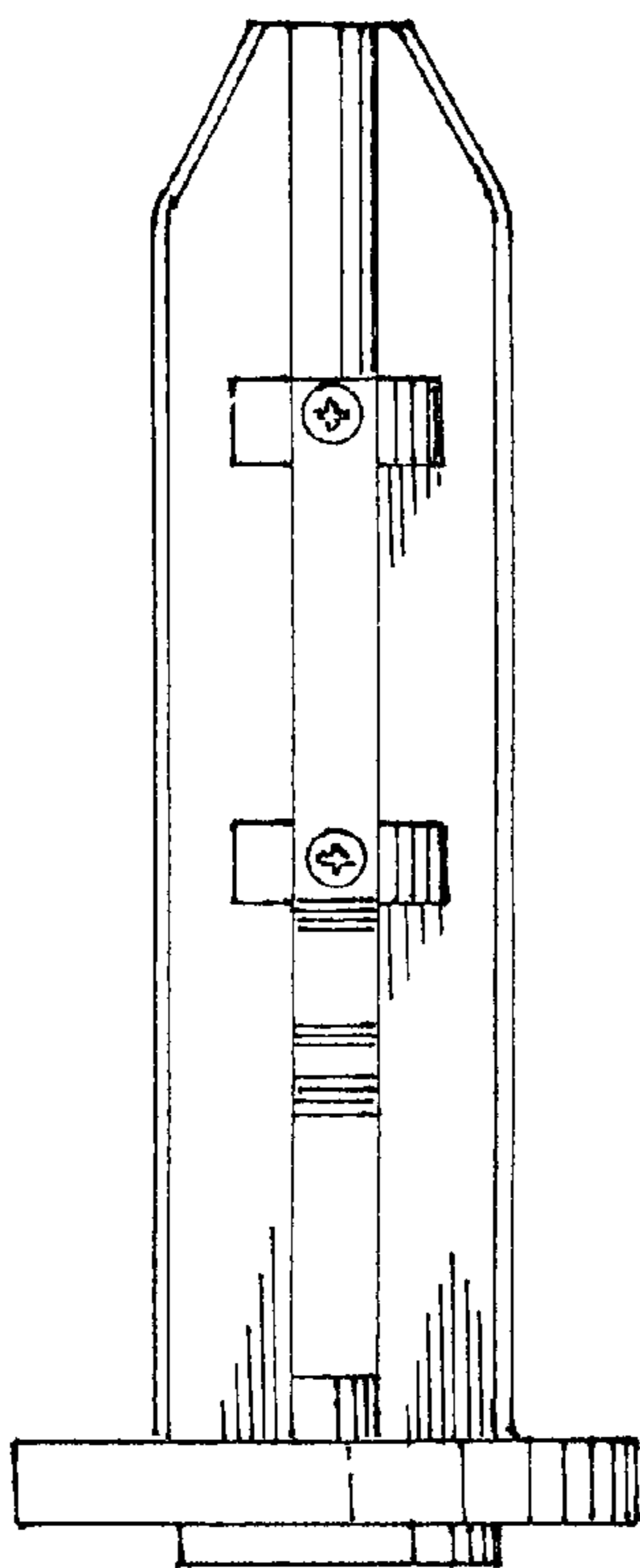


FIG. 2

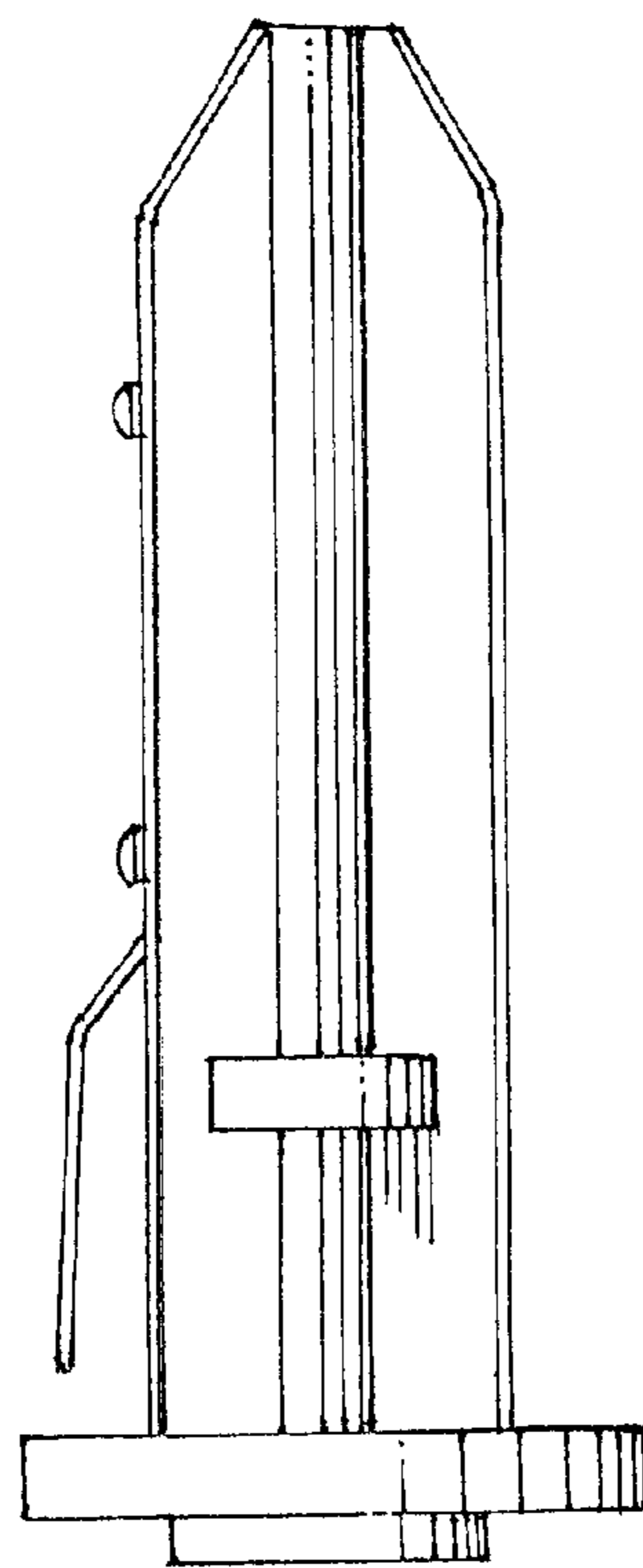


FIG. 3

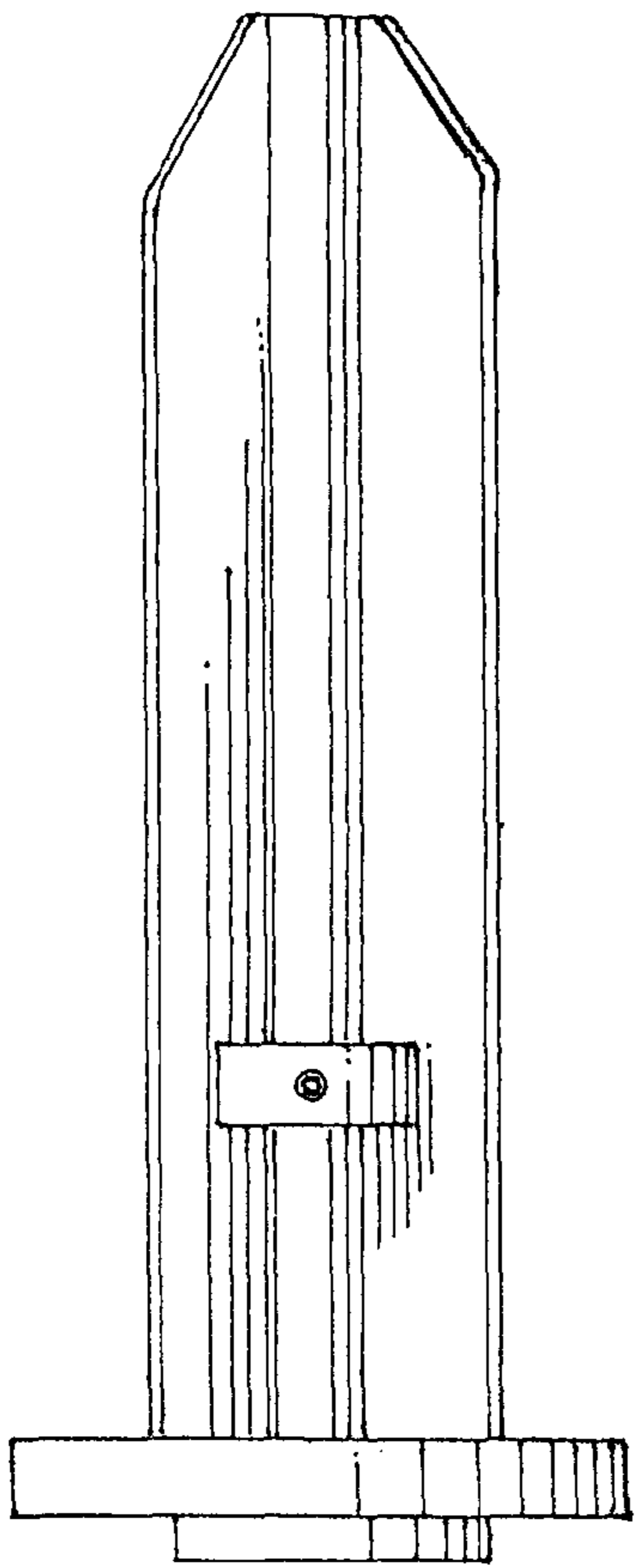


FIG. 4

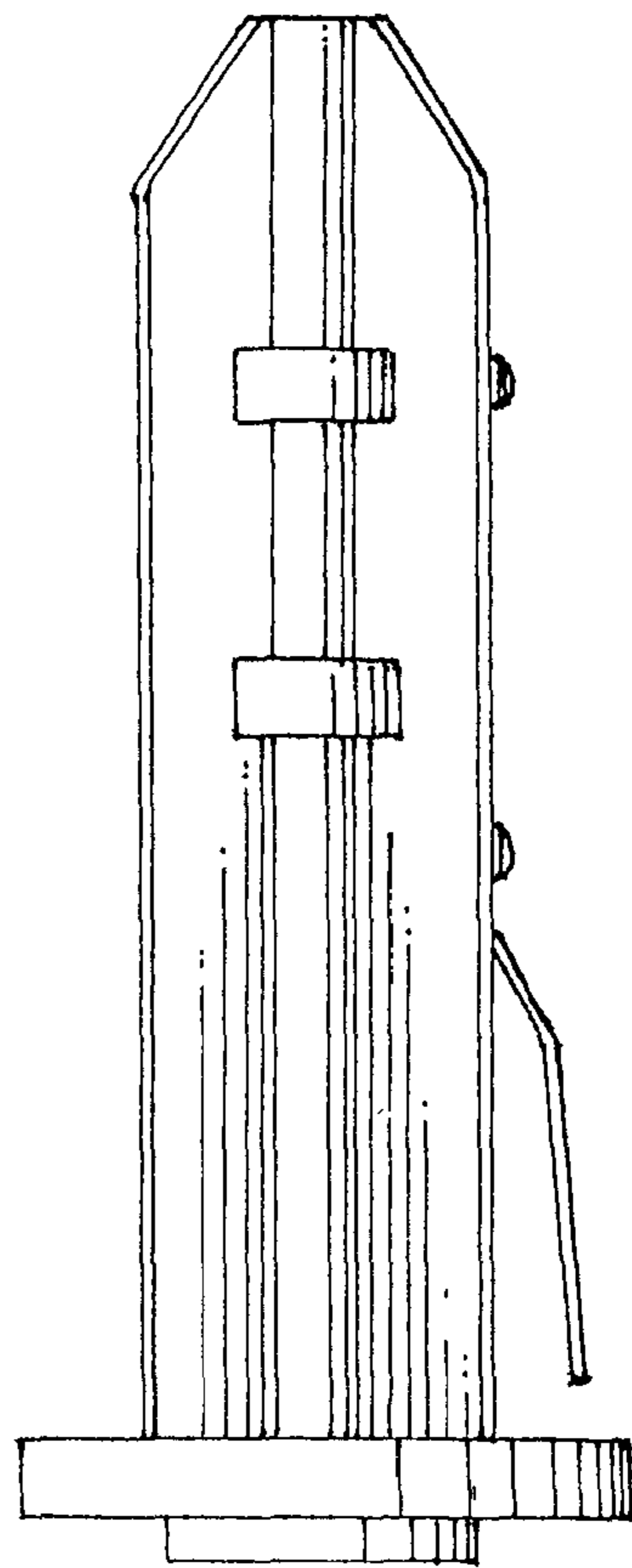


FIG. 5

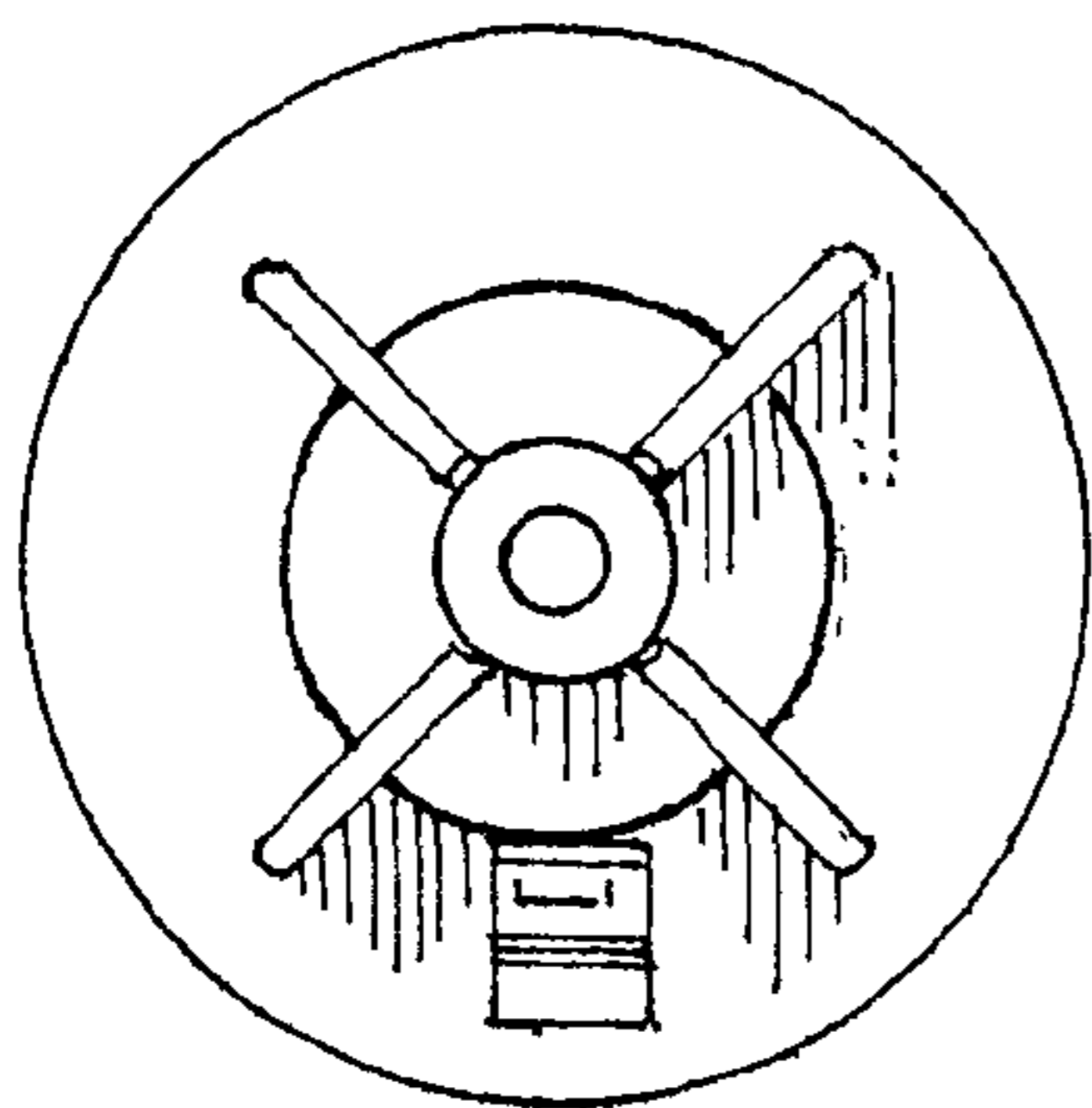


FIG. 6

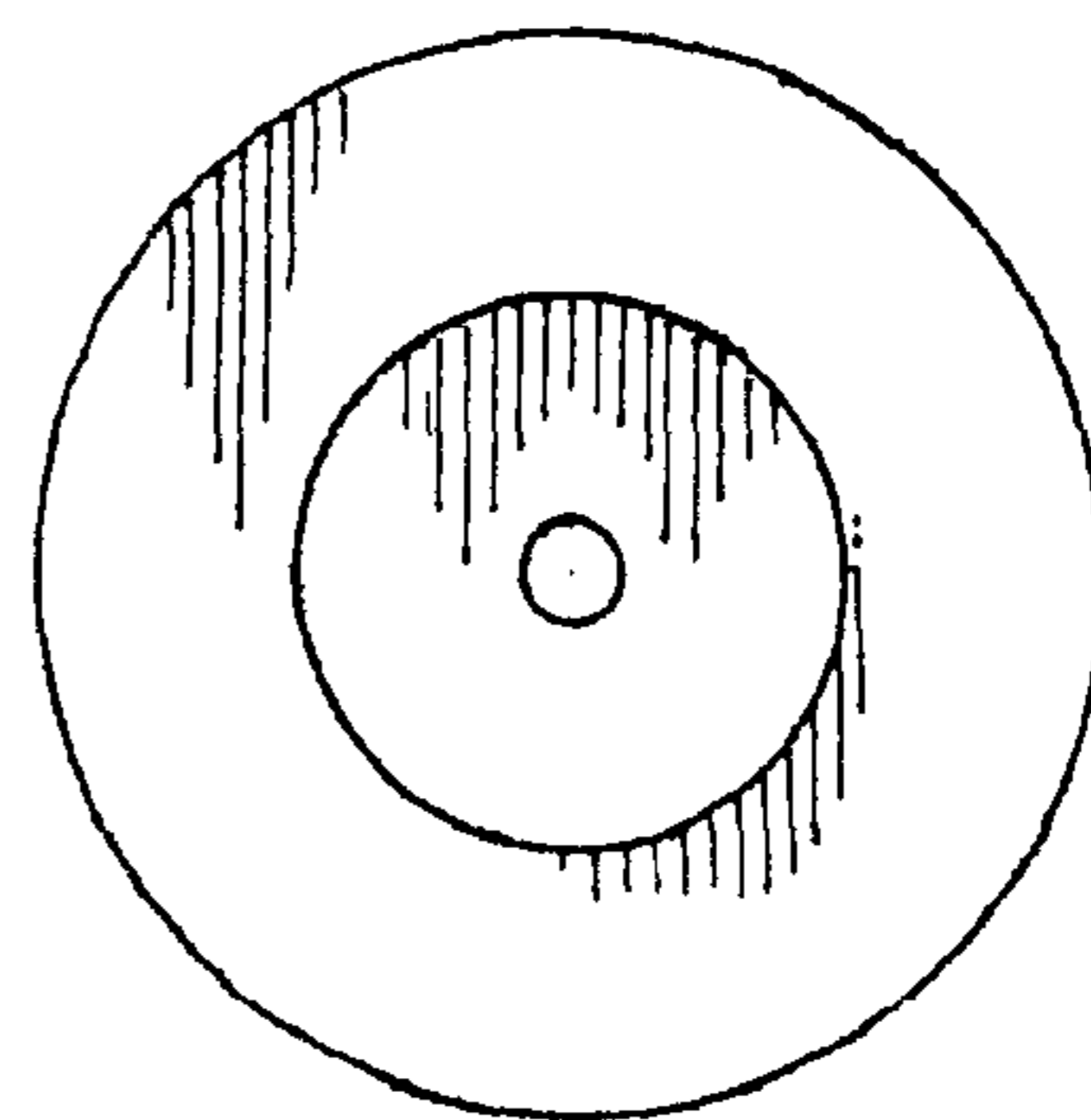


FIG. 7