



US00D692925S

(12) **United States Design Patent**
Caron et al.

(10) **Patent No.:** **US D692,925 S**

(45) **Date of Patent:** **** Nov. 5, 2013**

- (54) **LANDFILL COMPACTOR TOOTH**
- (71) Applicant: **Caron Compactor Company**, Escalon, CA (US)
- (72) Inventors: **James O. Caron**, Modesto, CA (US);
David E. Williams, Oakdale, CA (US)
- (73) Assignee: **Caron Compactor Company**, Escalon, CA (US)

6,632,045	B1 *	10/2003	McCartney	404/72
6,682,262	B2	1/2004	Caron et al.		
6,712,551	B2	3/2004	Livesay et al.		
6,837,649	B2	1/2005	Livesay et al.		
6,991,401	B1	1/2006	Caron		
7,108,452	B2	9/2006	Caron et al.		
D538,828	S *	3/2007	Stern	D15/28
7,198,333	B1 *	4/2007	Freeman	301/43
D617,817	S	6/2010	Brockway		
D660,877	S	5/2012	Caron et al.		
D660,878	S	5/2012	Caron et al.		

(Continued)

(**) Term: **14 Years**

OTHER PUBLICATIONS

(21) Appl. No.: **29/452,212**

Caron Compactor Company, Complete Product Guide, Feb. 2007 (18 pages).

(22) Filed: **Apr. 12, 2013**

(51) **LOC (9) Cl.** **15-03**

Primary Examiner — Mark Goodwin

(52) **U.S. Cl.**
USPC **D15/28**

(74) *Attorney, Agent, or Firm* — Vista IP Law Group LLP

(58) **Field of Classification Search**
USPC D15/20, 21, 28, 29; D12/604; 404/124,
404/121, 90, 122; 301/43, 44.1-44.4;
172/122, 540, 554; 37/454, 453, 455,
37/452

(57) **CLAIM**

The ornamental design for the landfill compactor tooth, as shown and described.

See application file for complete search history.

DESCRIPTION

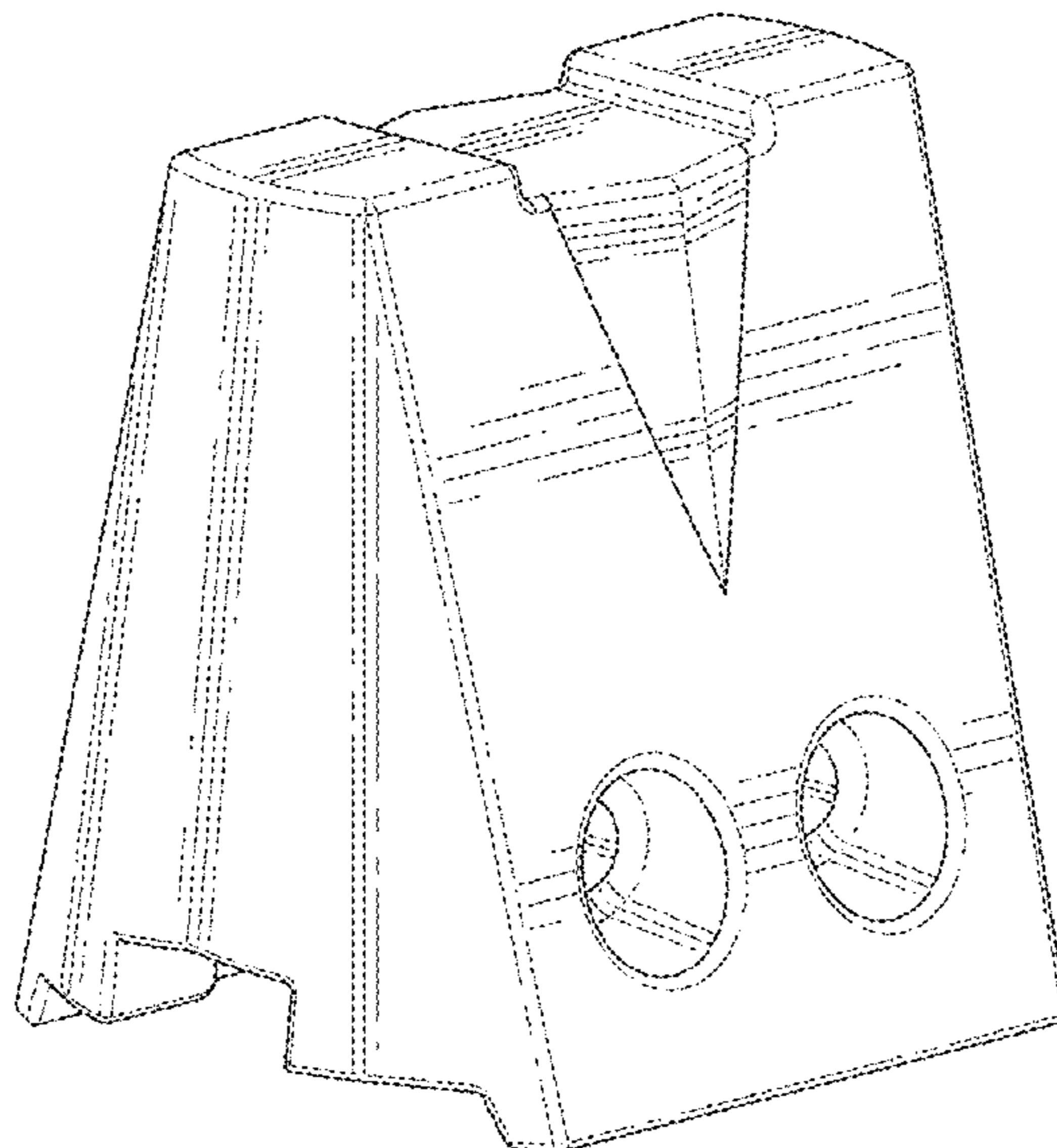
(56) **References Cited**

U.S. PATENT DOCUMENTS

4,066,375	A	1/1978	Caron et al.		
4,668,122	A *	5/1987	Riddle	404/121
4,919,566	A	4/1990	Caron et al.		
H946	H *	8/1991	Lonn	404/121
5,217,321	A *	6/1993	Corcoran et al.	404/121
D338,677	S *	8/1993	Corcoran et al.	D15/28
D338,898	S *	8/1993	Corcoran et al.	D15/28
D359,054	S *	6/1995	Gale et al.	D15/20
D379,630	S *	6/1997	Brockway	D15/29
5,687,799	A	11/1997	Greenfield et al.		
5,795,097	A	8/1998	Caron et al.		
D430,172	S *	8/2000	Kesavan	D15/28
D453,940	S *	2/2002	McCartney	D15/28
6,619,883	B2	9/2003	Livesay et al.		

FIG. 1 is a top perspective view of a landfill compactor tooth showing our new design;
FIG. 2 is a bottom perspective view thereof;
FIG. 3 is a front elevational view thereof;
FIG. 4 is a back elevational view thereof;
FIG. 5 is a right elevational view thereof;
FIG. 6 is a left elevational view thereof;
FIG. 7 is a top plan view thereof;
FIG. 8 is a bottom plan view thereof;
FIG. 9 is a top perspective view thereof;
FIG. 10 is a cross-sectional view thereof taken along line 10-10 of FIG. 9; and,
FIG. 11 is a cross-sectional view thereof taken along line 11-11 of FIG. 9.

1 Claim, 10 Drawing Sheets



US D692,925 S

Page 2

(56)

References Cited

U.S. PATENT DOCUMENTS

8,197,157	B2	6/2012	Brockway		
8,333,439	B2 *	12/2012	Gibbins	301/44.1	
2002/0048489	A1 *	4/2002	Caron et al.	404/124	
2003/0063951	A1 *	4/2003	Bierwith	404/124	
2004/0033107	A1 *	2/2004	Caron et al.	404/124	
2012/0003041	A1	1/2012	McPhail et al.		
2012/0003042	A1	1/2012	McPhail et al.		
2013/0025890	A1	1/2013	Schoepke et al.		

* cited by examiner

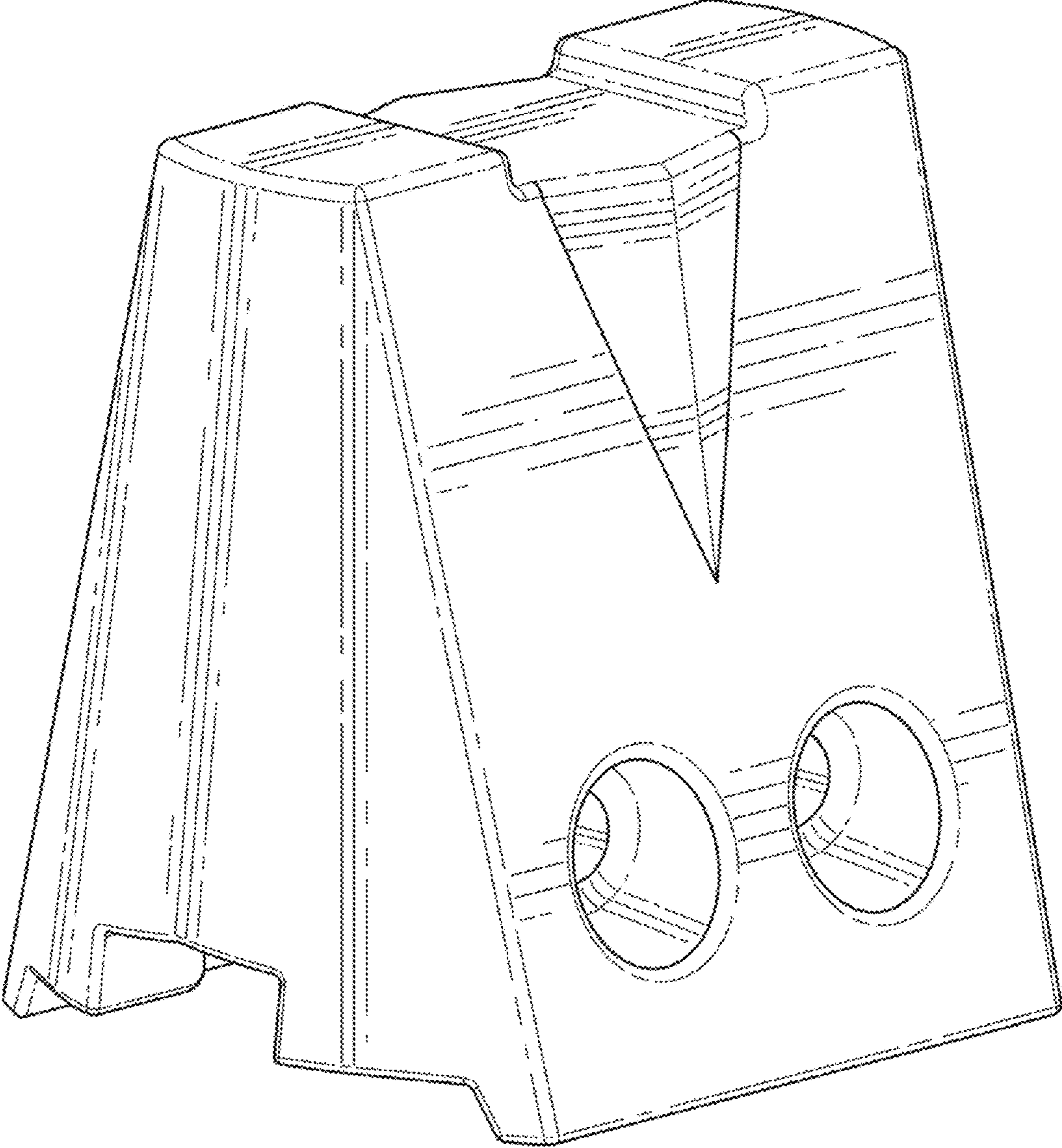


FIG. 1

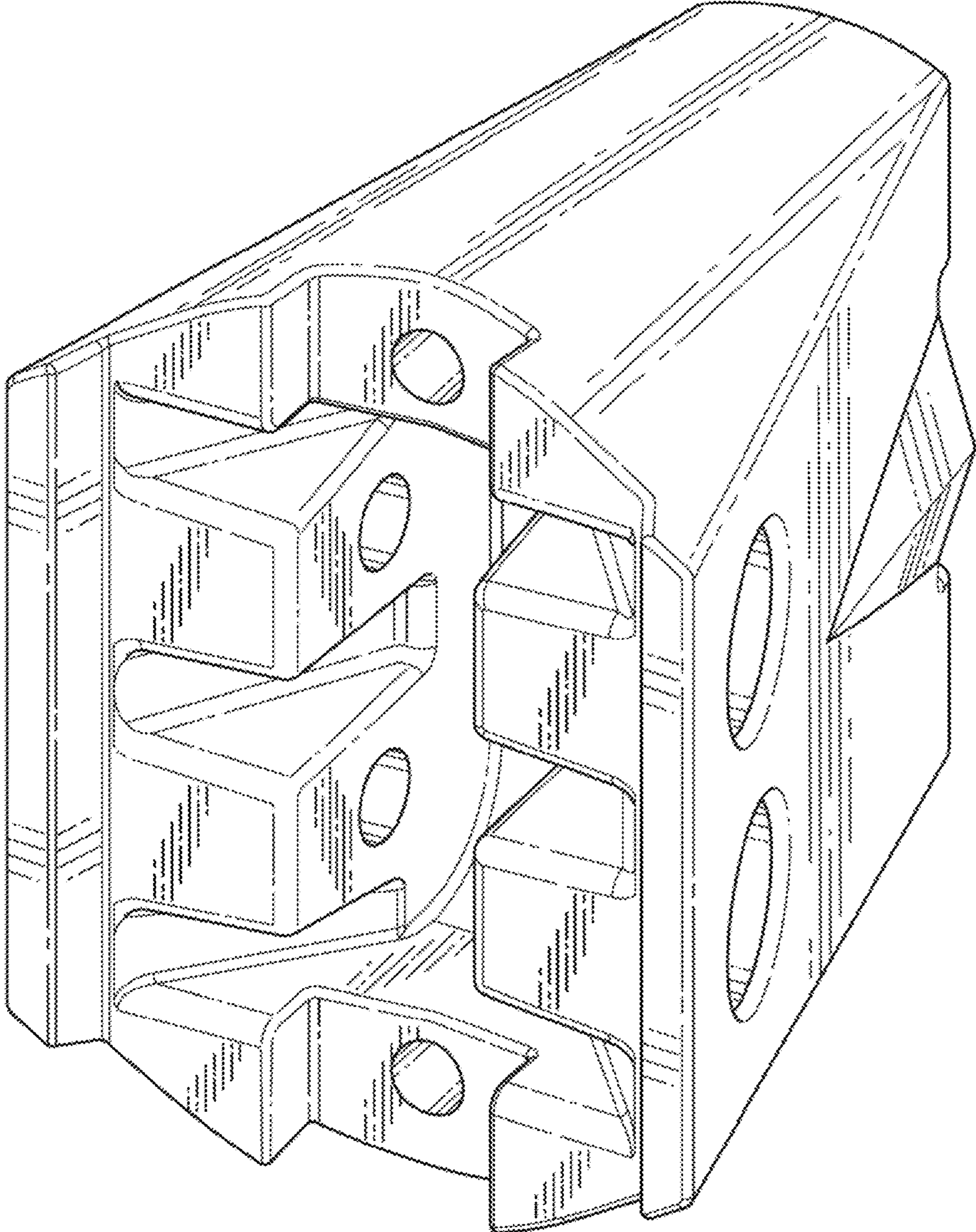


FIG. 2

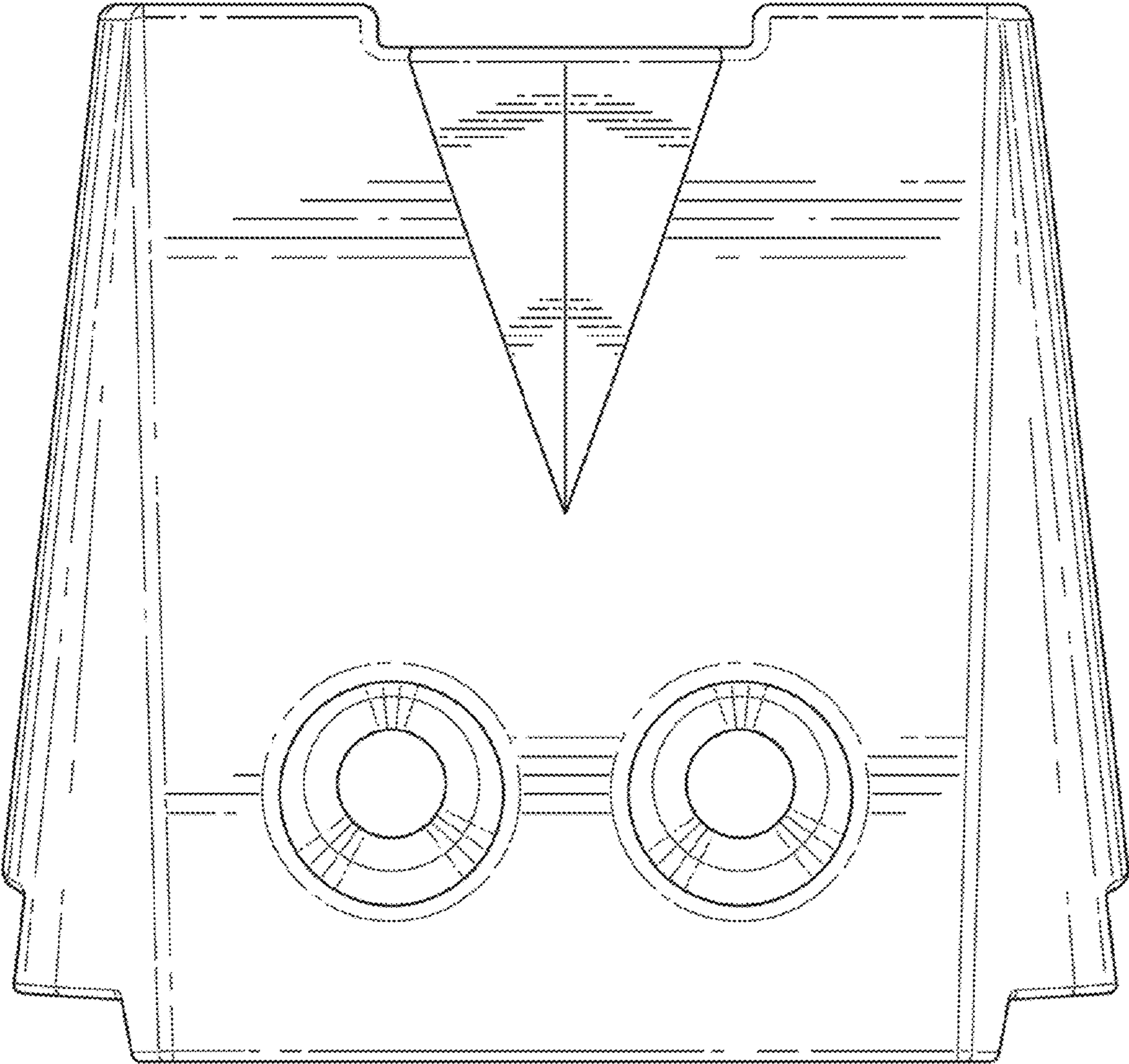


FIG. 3

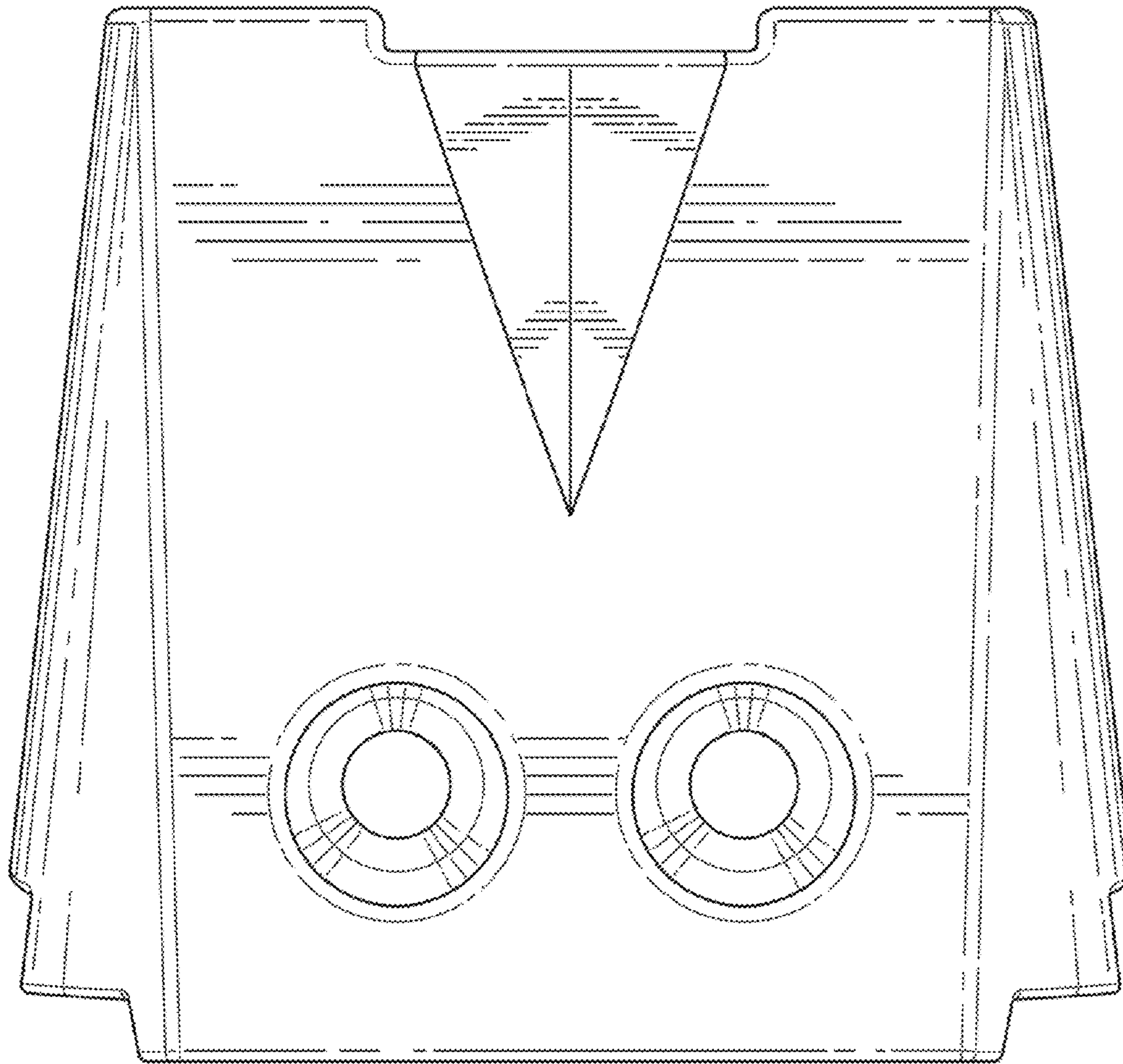


FIG. 4

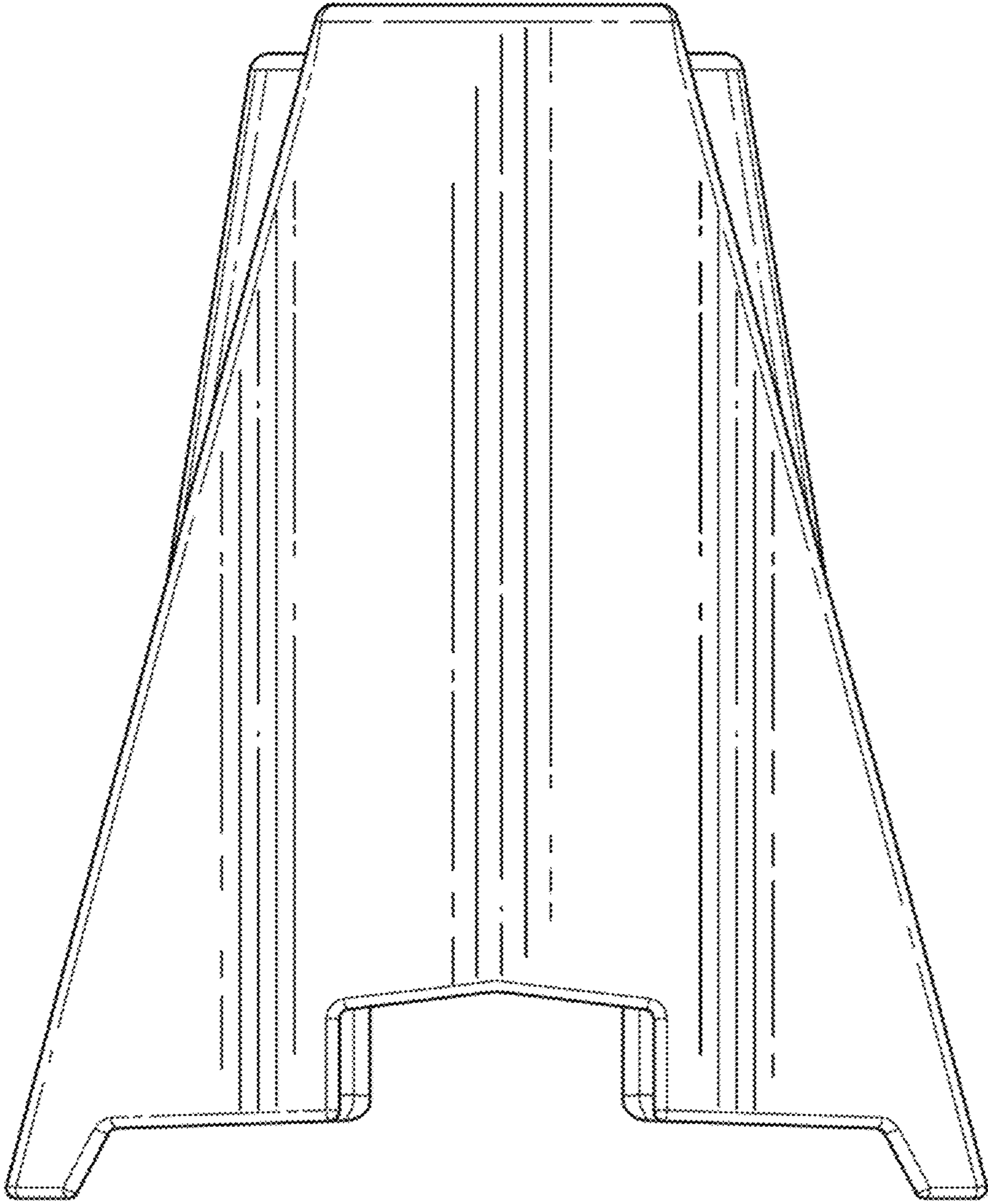


FIG. 5

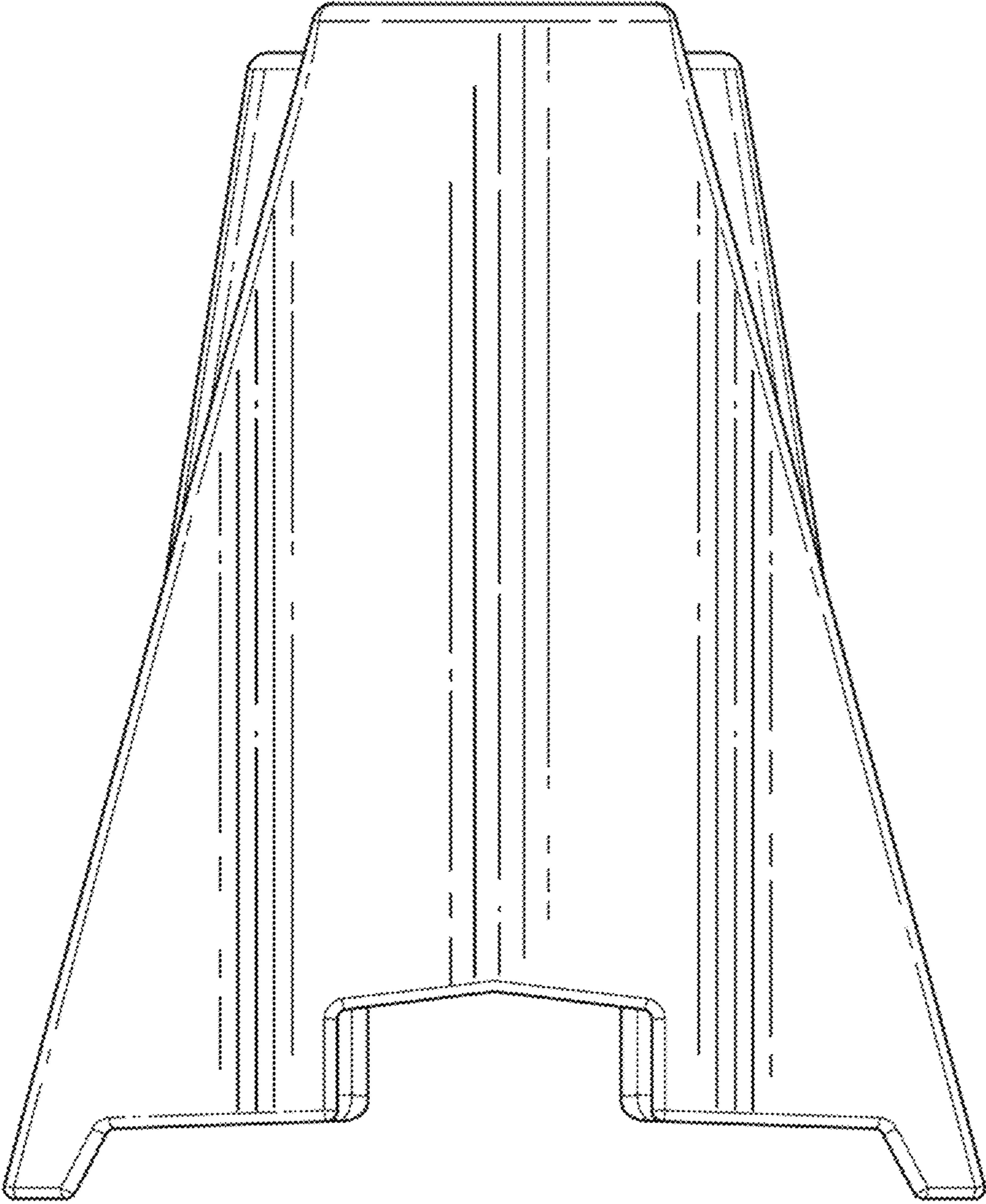


FIG. 6

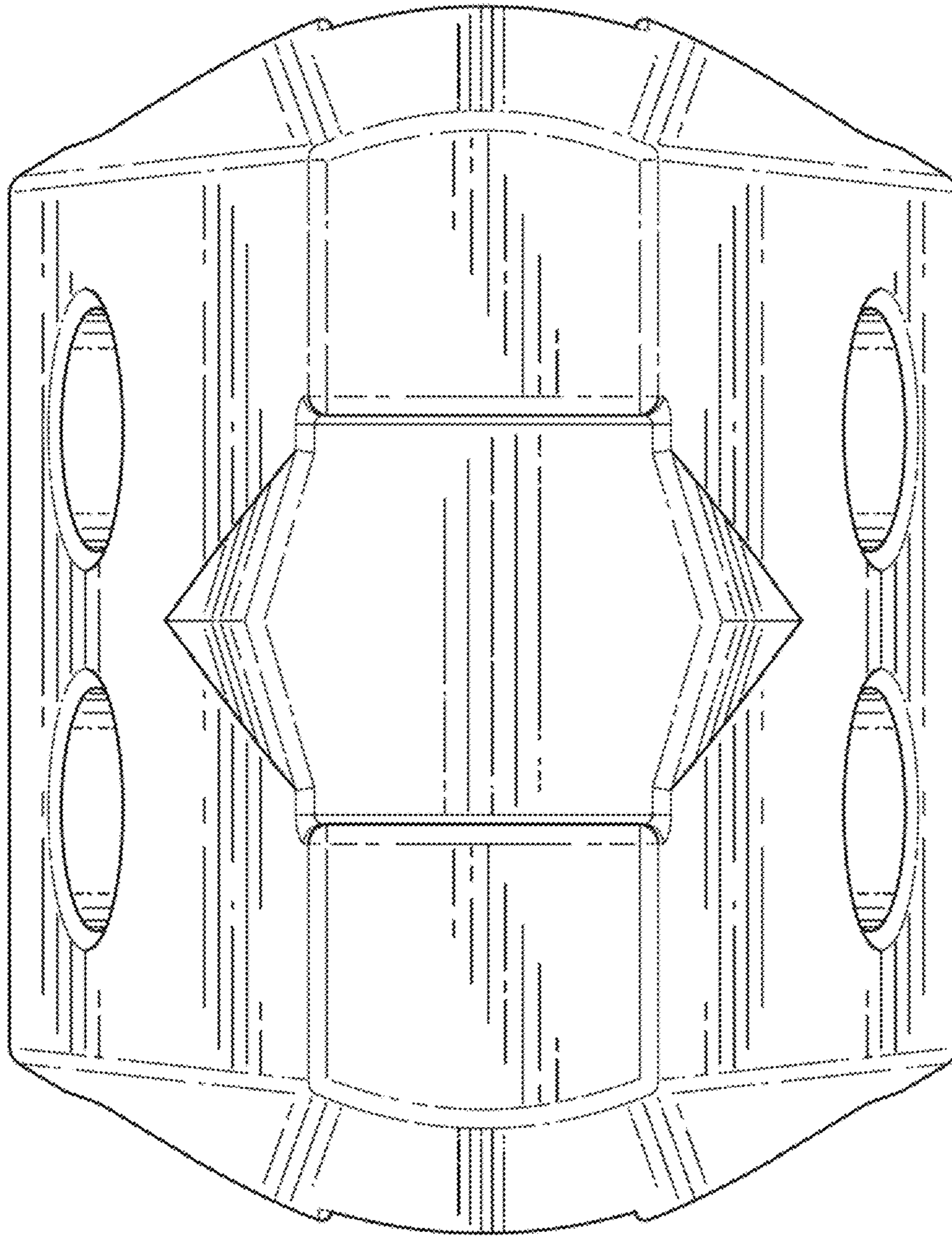


FIG. 7

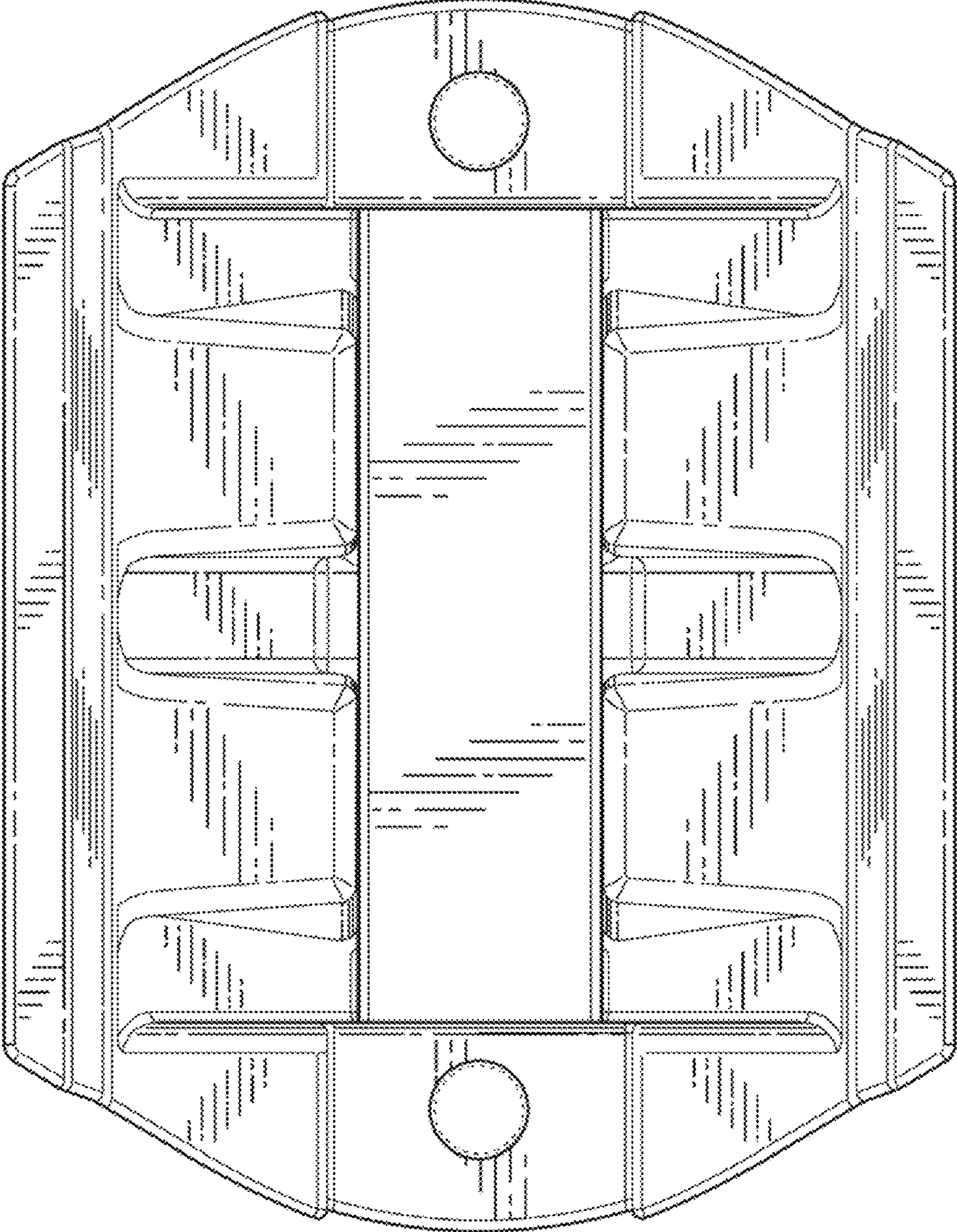


FIG. 8

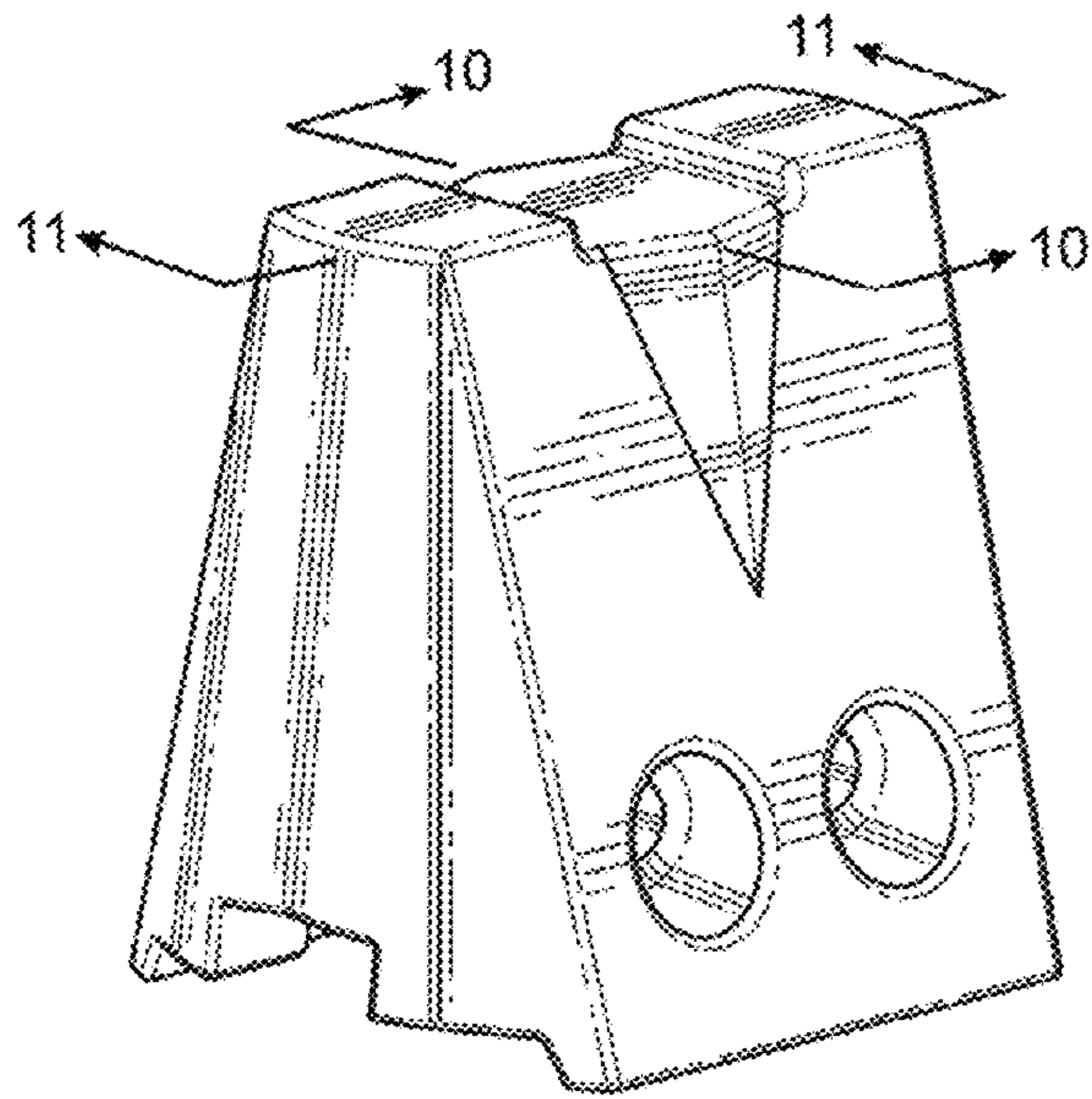


FIG. 9

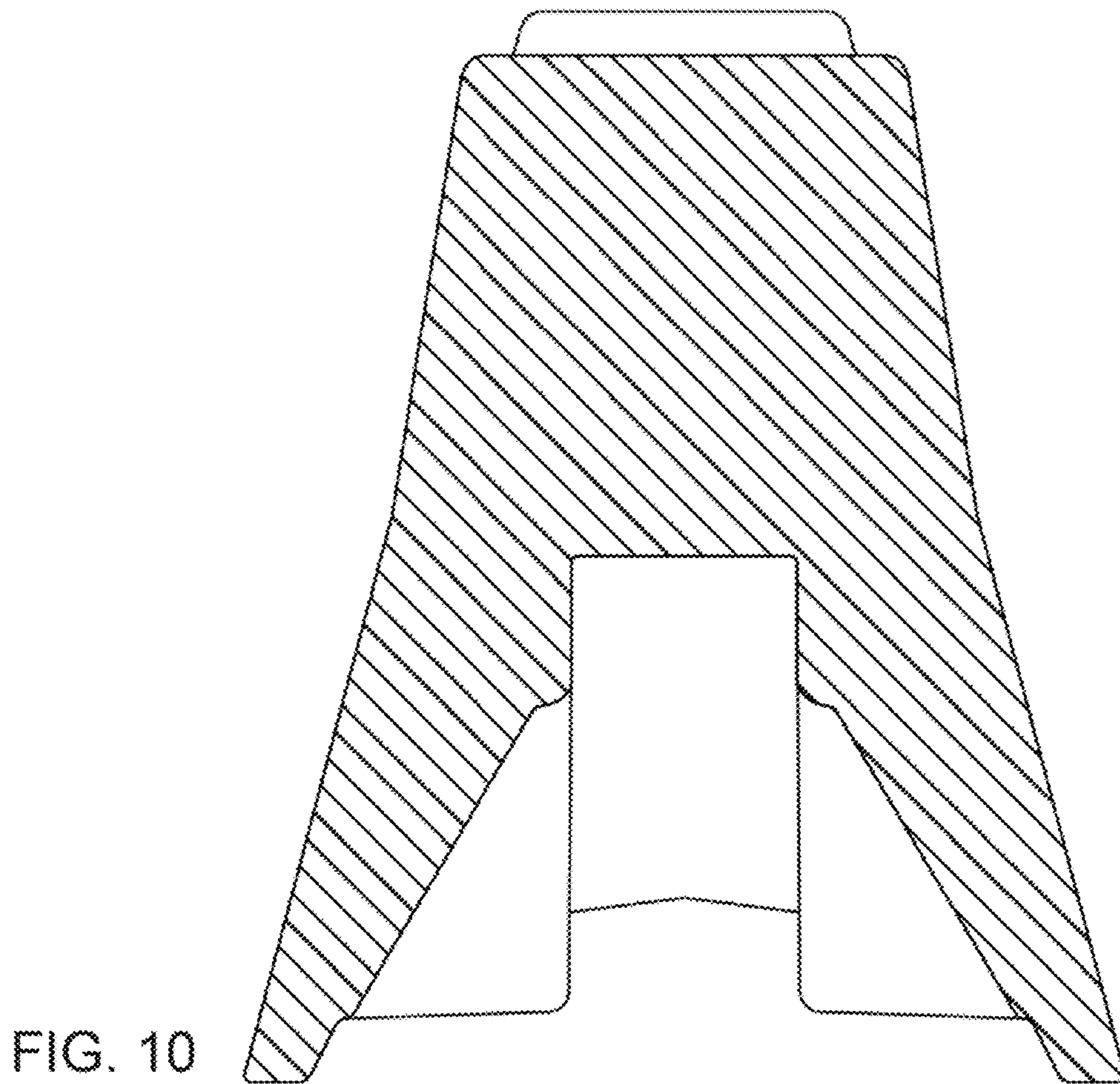


FIG. 10

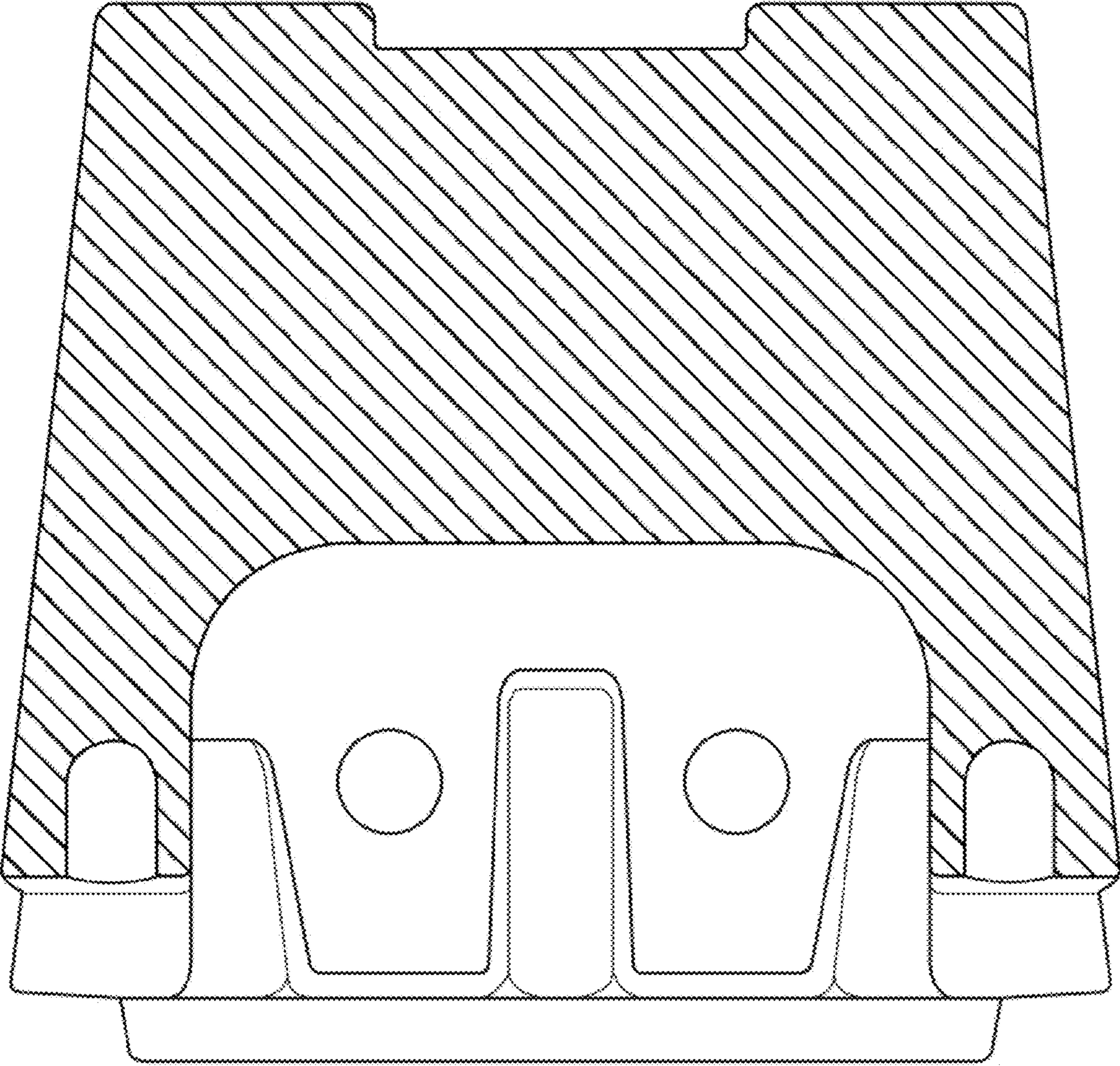


FIG. 11