



US00D692924S

(12) **United States Design Patent**  
**Hatanaka et al.**

(10) **Patent No.:** **US D692,924 S**

(45) **Date of Patent:** **\*\* Nov. 5, 2013**

(54) **EXCAVATOR**

(71) Applicant: **Yanmar Co., Ltd.**, Osaka (JP)

(72) Inventors: **Mitsuyuki Hatanaka**, Chikugo (JP);  
**Masami Miyanishi**, Chikugo (JP);  
**Masamitsu Uemura**, Chikugo (JP);  
**Hiroyuki Otsuki**, Chikugo (JP); **Zenzo Uchida**, Chikugo (JP); **Hisayuki Ishii**, Chikugo (JP)

(73) Assignee: **Yanmar Co., Ltd.**, Osaka (JP)

(\*\*) Term: **14 Years**

(21) Appl. No.: **29/433,165**

(22) Filed: **Sep. 26, 2012**

(51) **LOC (9) Cl.** ..... **15-03**

(52) **U.S. Cl.**  
USPC ..... **D15/24; D15/25**

(58) **Field of Classification Search**  
USPC ..... D15/10, 22-26, 28, 30; 180/89.1,  
180/89.12, 89.13, 900, 9.1, 9.2, 9.62;  
37/379; 414/694, 699, 722-724, 660,  
414/685, 698, 719, 743  
See application file for complete search history.

(56) **References Cited**

**U.S. PATENT DOCUMENTS**

D309,313 S \* 7/1990 Takashima et al. .... D15/25  
D312,468 S \* 11/1990 Masumoto et al. .... D15/25  
D354,497 S \* 1/1995 Kusunoki et al. .... D15/25  
D440,235 S \* 4/2001 Kuwae et al. .... D15/25

D462,973 S \* 9/2002 Tamaru et al. .... D15/25  
D462,974 S \* 9/2002 Yanagida et al. .... D15/25  
D474,481 S \* 5/2003 Hara ..... D15/25  
D511,531 S \* 11/2005 Sewell et al. .... D15/24  
D518,071 S \* 3/2006 Gwak et al. .... D15/25  
D527,027 S \* 8/2006 Smith et al. .... D15/24  
D538,304 S \* 3/2007 Uemura ..... D15/25  
D538,827 S \* 3/2007 Uemura ..... D15/25  
D561,785 S \* 2/2008 Imashige et al. .... D15/24  
D576,180 S \* 9/2008 Kuwae et al. .... D15/25  
D609,252 S \* 2/2010 Shimada et al. .... D15/25  
D633,926 S \* 3/2011 Shimada et al. .... D15/25

\* cited by examiner

*Primary Examiner* — Mark Goodwin

(74) *Attorney, Agent, or Firm* — Sterne, Kessler, Goldstein & Fox P.L.L.C.

(57) **CLAIM**

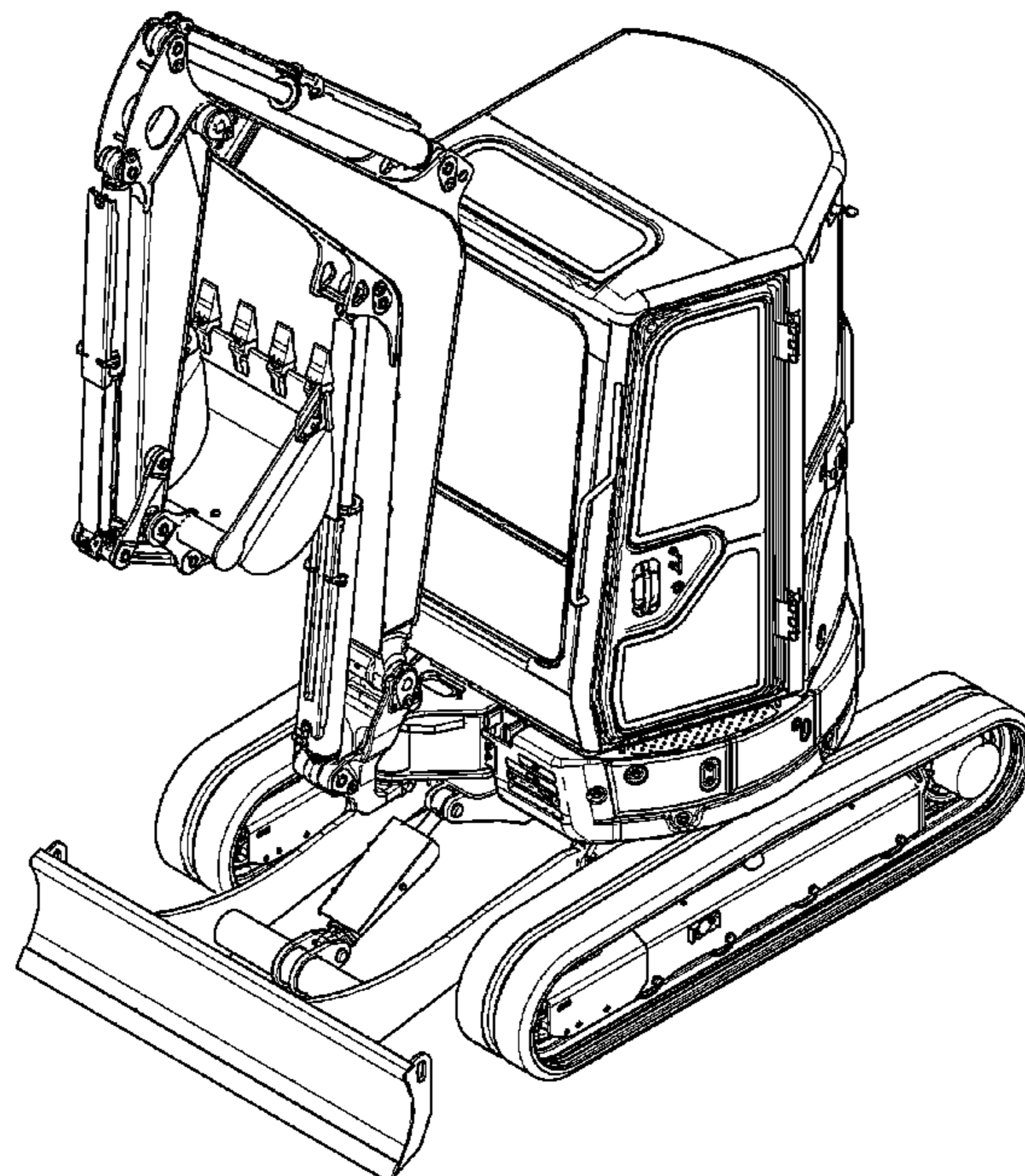
The ornamental design for an excavator, as shown and described.

**DESCRIPTION**

FIG. 1 is a top front perspective view of an excavator showing our new design;  
FIG. 2 is a top rear perspective view thereof;  
FIG. 3 is a front view thereof;  
FIG. 4 is a rear view thereof;  
FIG. 5 is a top plan view thereof;  
FIG. 6 is a bottom plan view thereof;  
FIG. 7 is a left side view thereof; and,  
FIG. 8 is a right side view thereof.

The broken lines in the Figures show environment for illustrative purposes only and form no part of the claimed design.

**1 Claim, 8 Drawing Sheets**



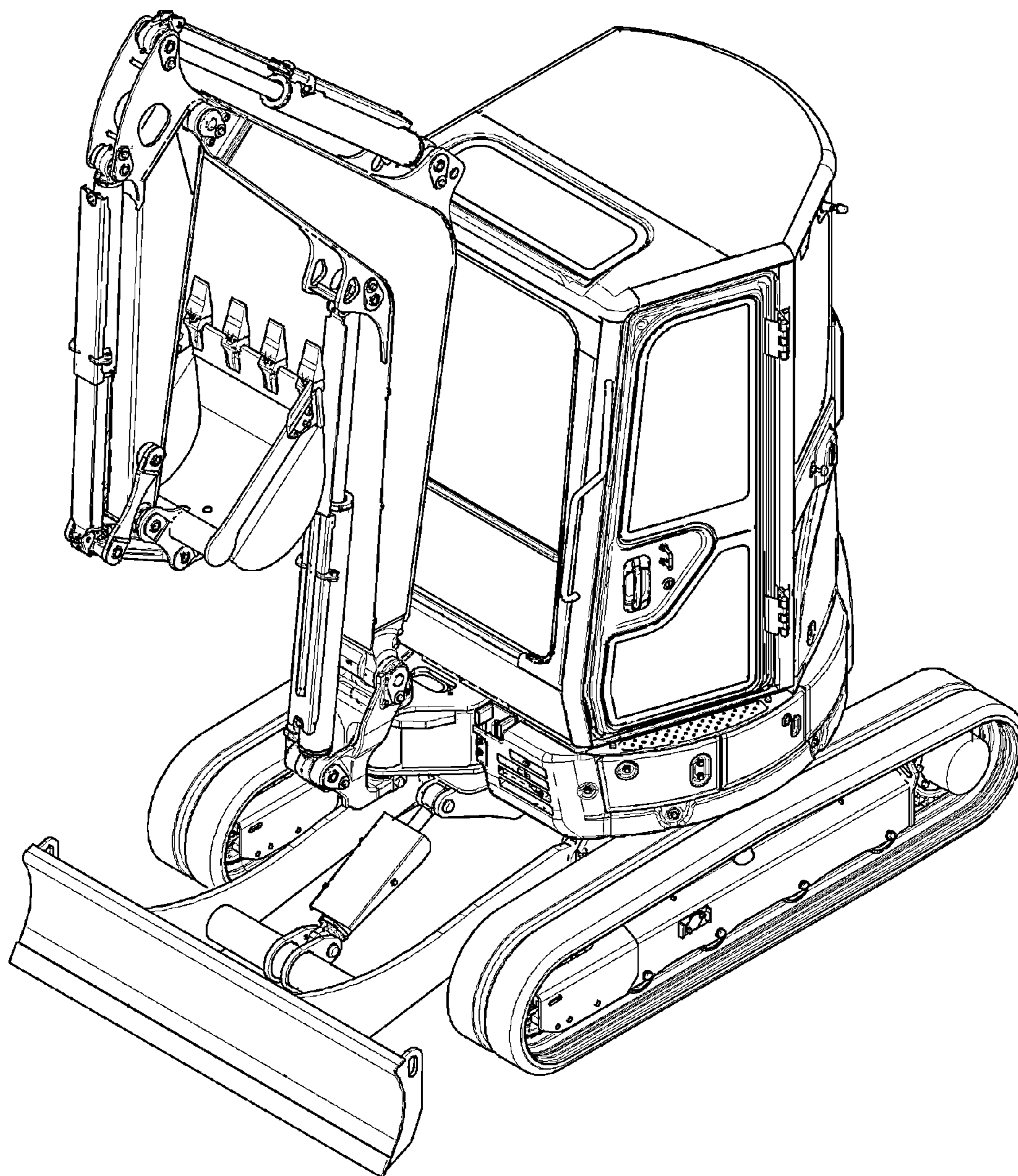


FIG. 1



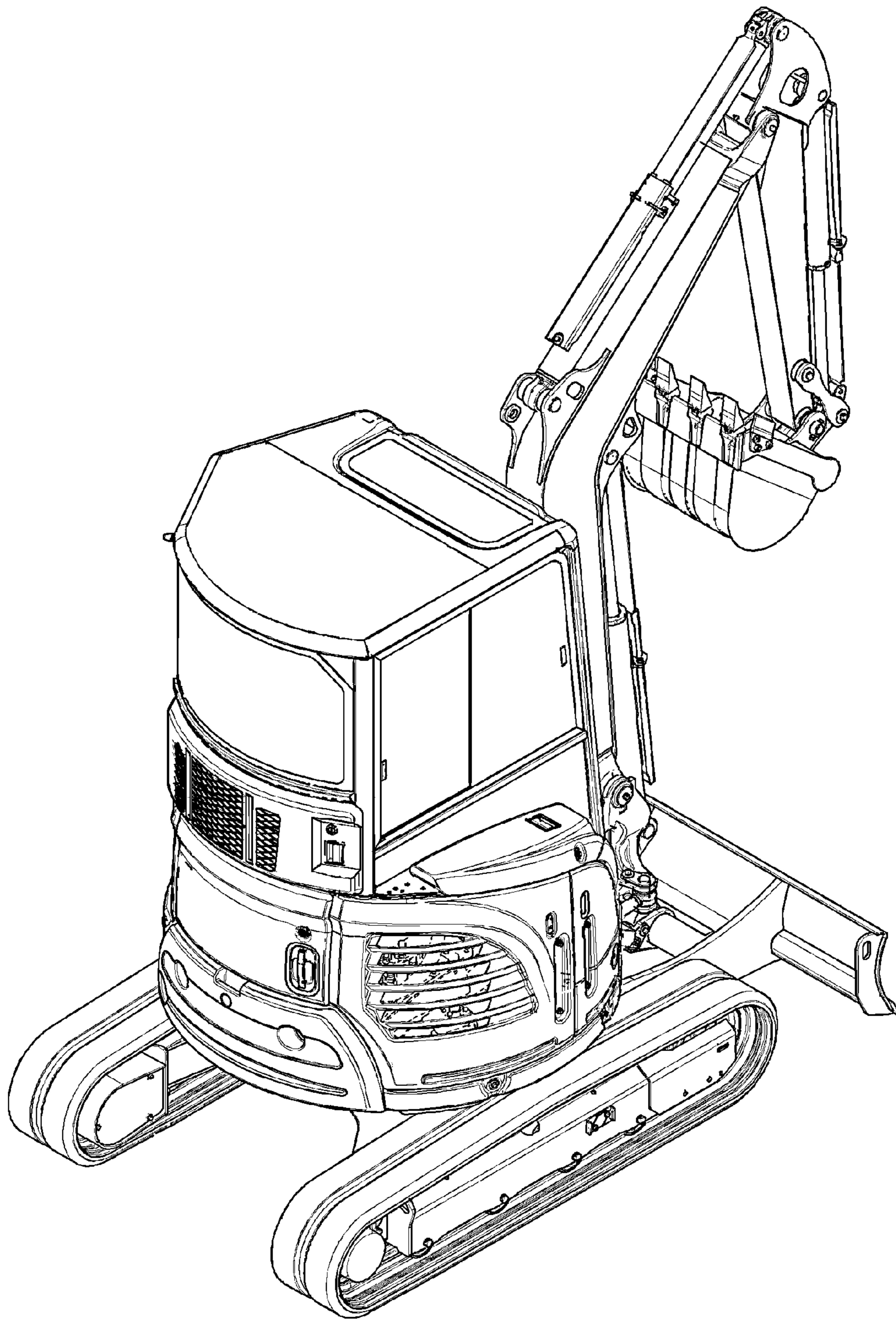


FIG. 2

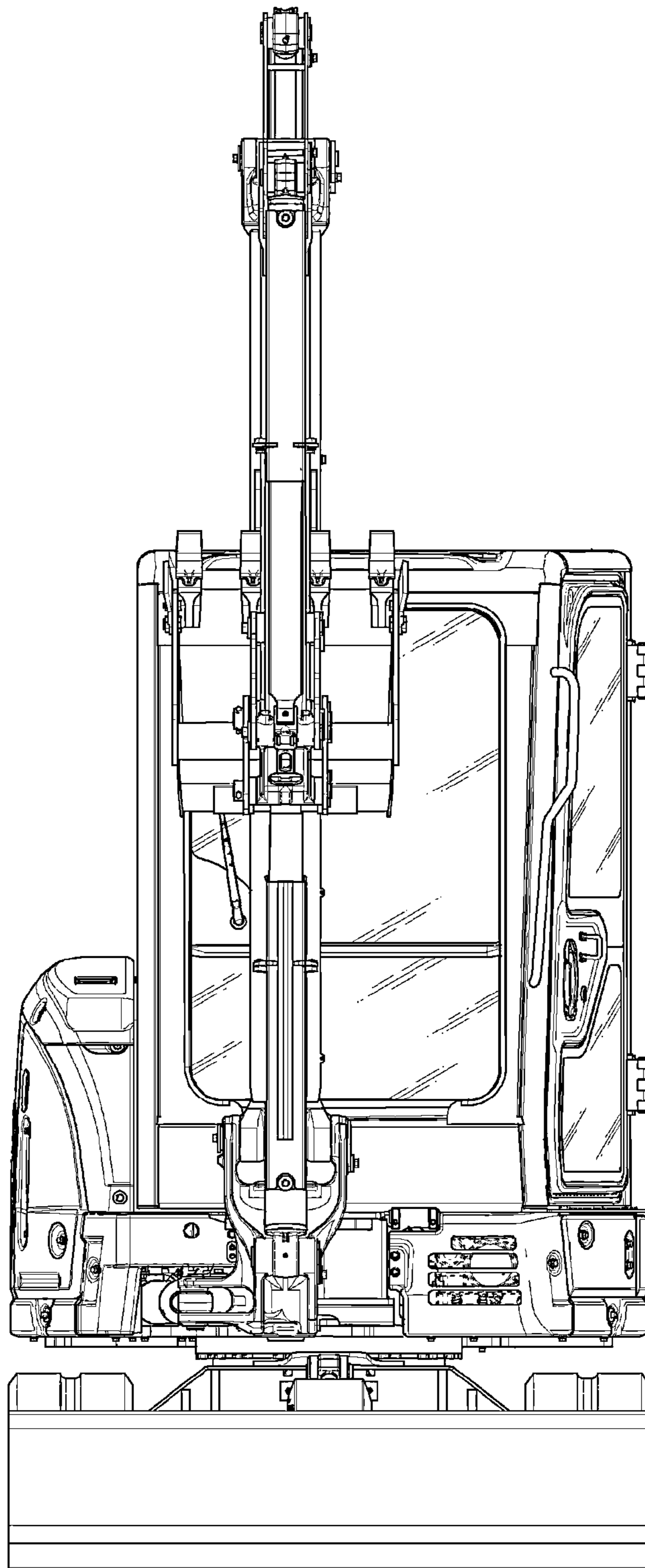


FIG. 3

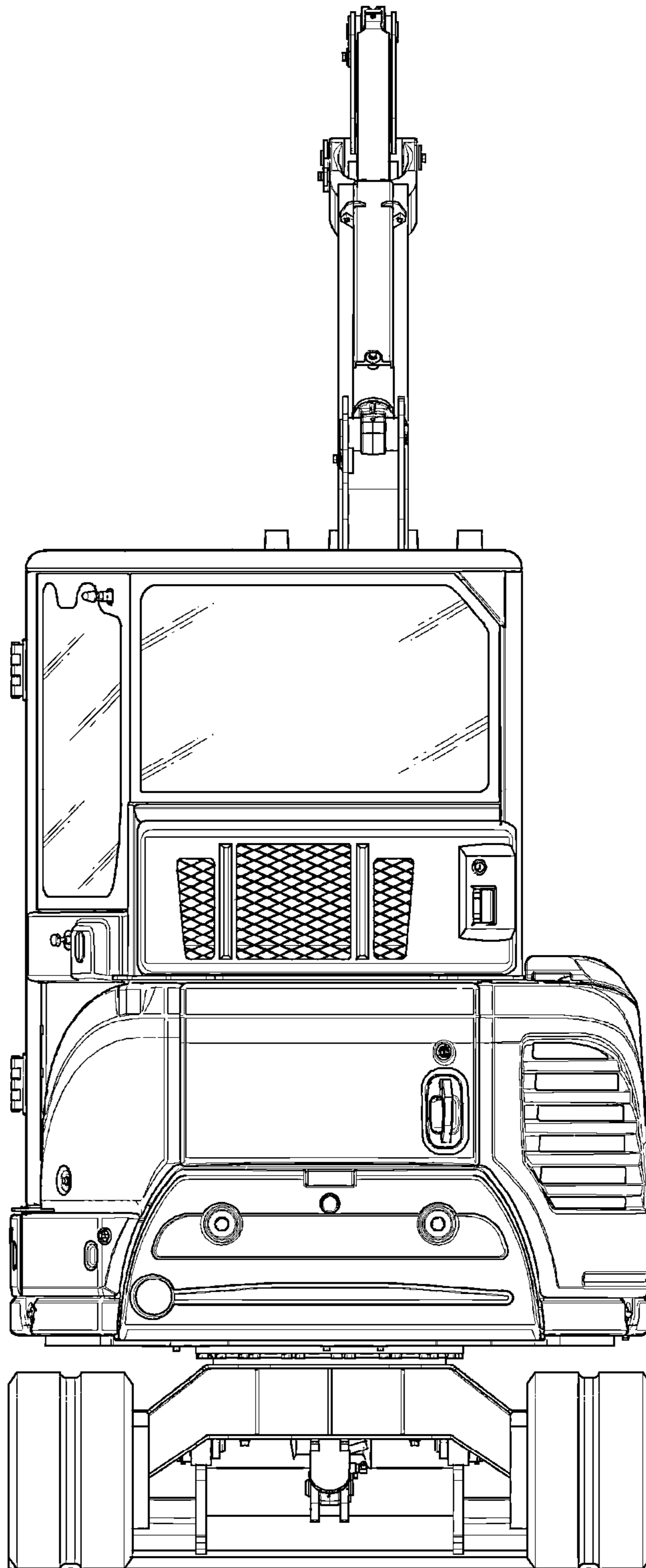


FIG. 4

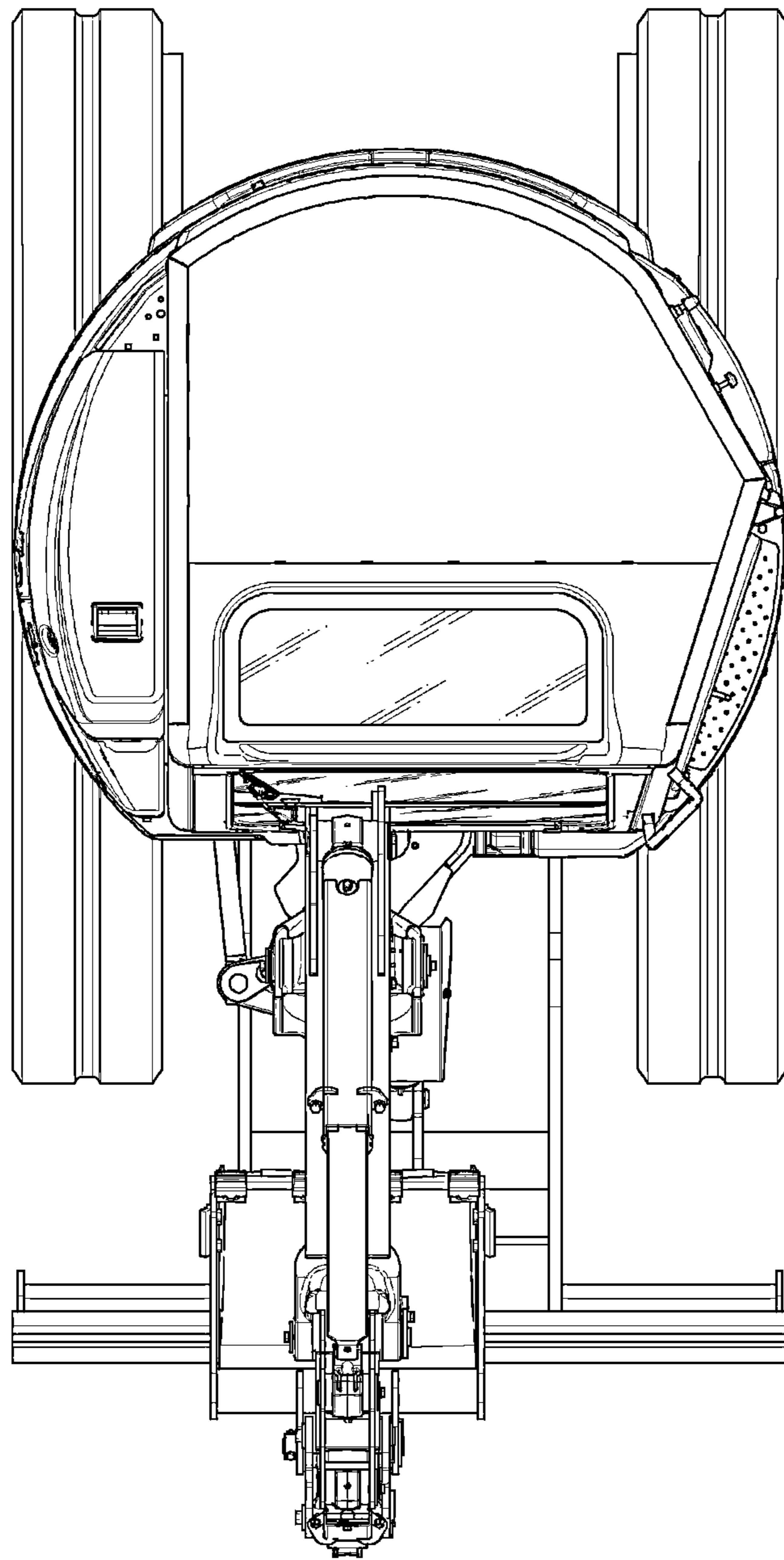


FIG. 5

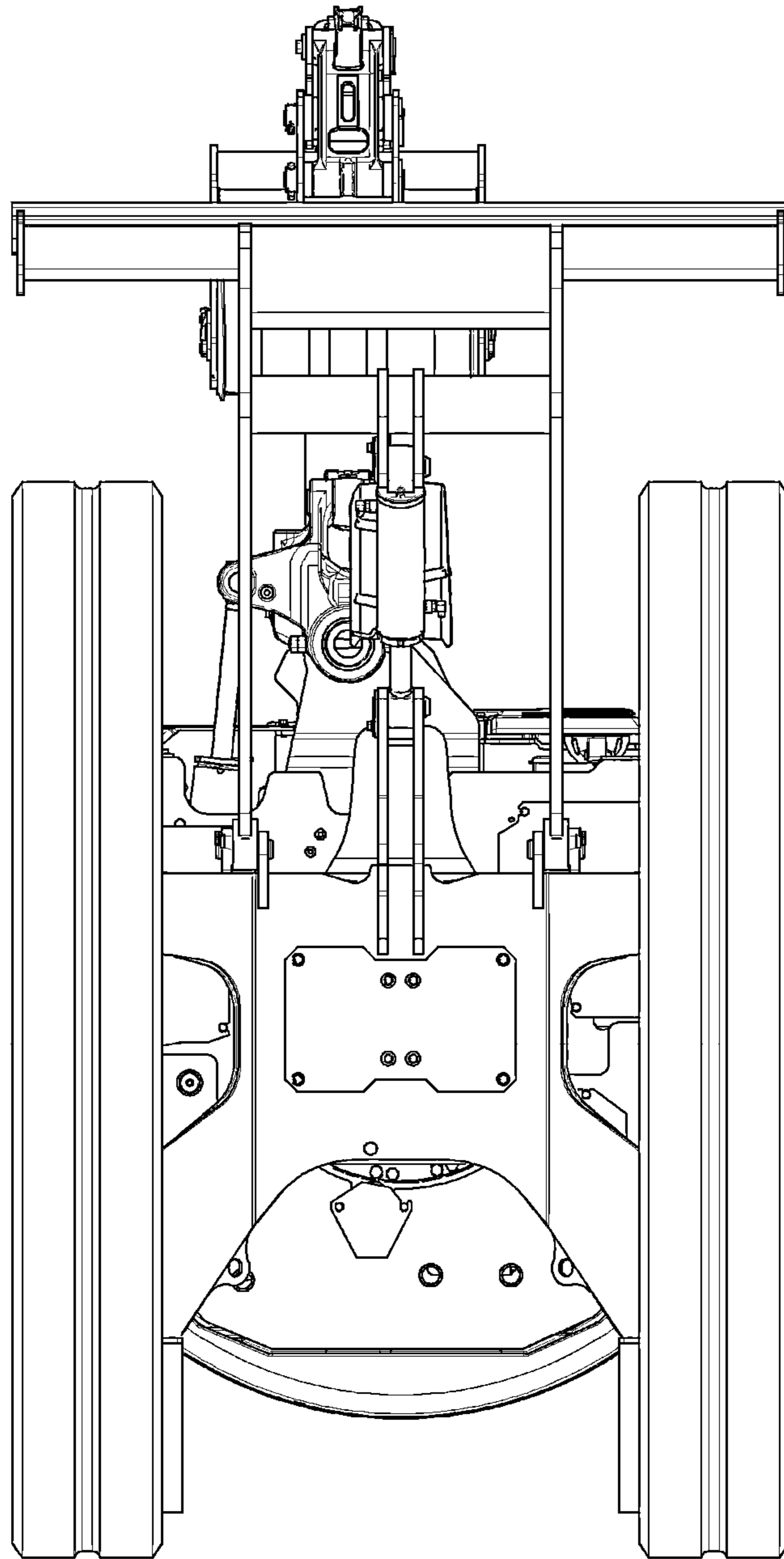


FIG. 6



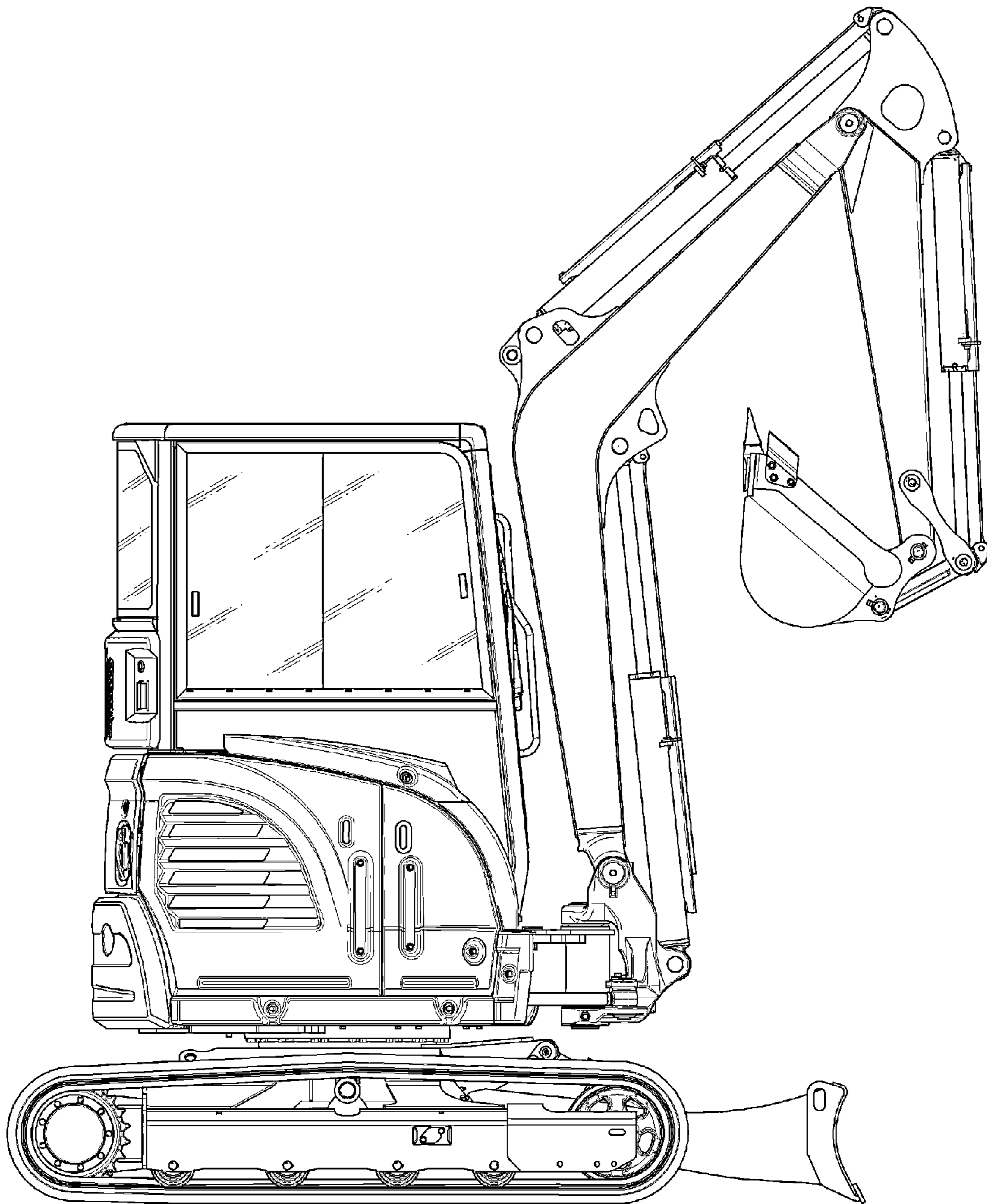


FIG. 7



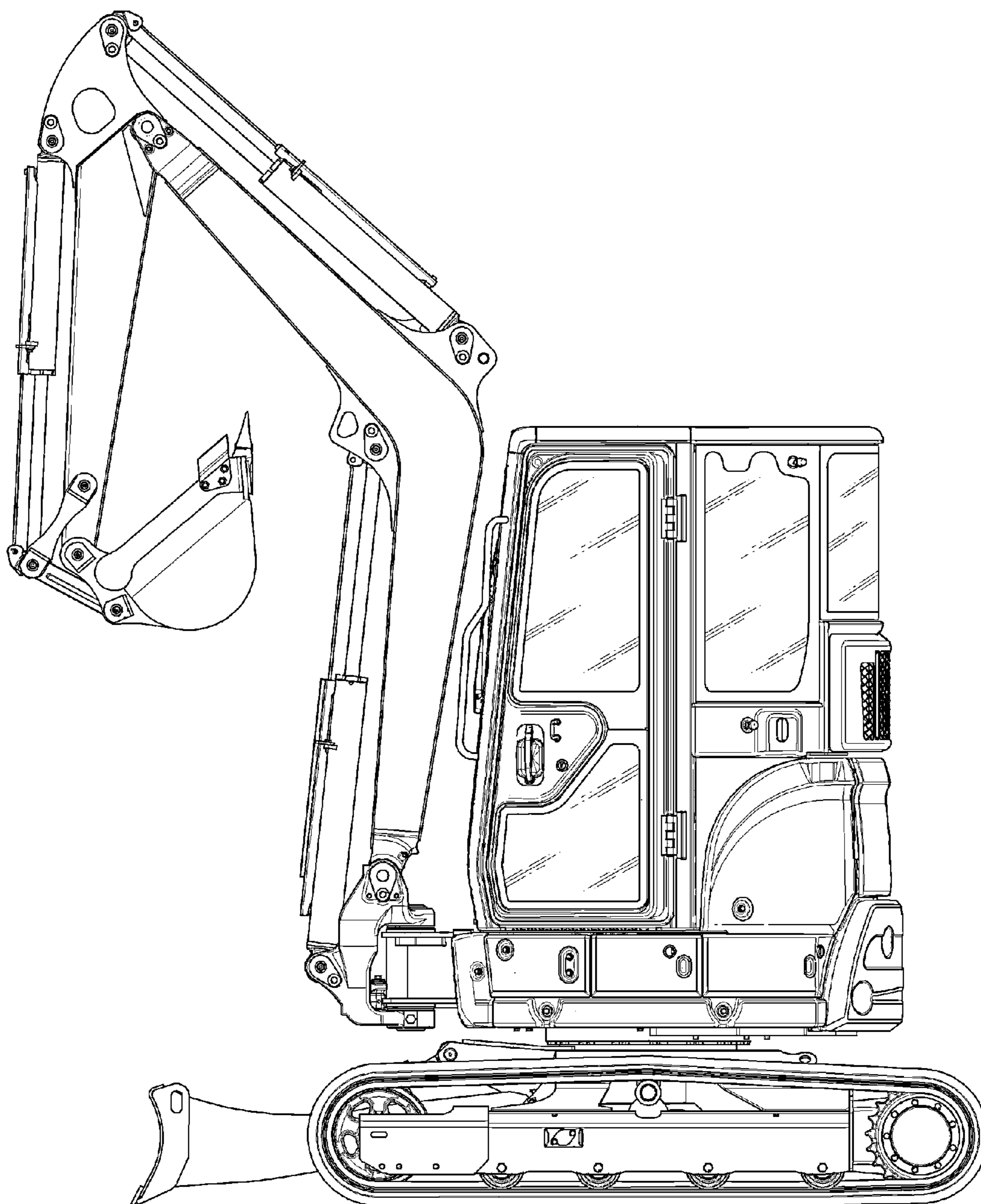


FIG. 8

UNITED STATES PATENT AND TRADEMARK OFFICE  
**CERTIFICATE OF CORRECTION**

PATENT NO. : D692,924 S  
APPLICATION NO. : 29/433165  
DATED : November 5, 2013  
INVENTOR(S) : Hatanaka et al.

Page 1 of 1

It is certified that error appears in the above-identified patent and that said Letters Patent is hereby corrected as shown below:

Title Page

On the face of the patent, please insert

--(30) Foreign Application Priority Data

Mar. 27, 2012 (JP) 2012-066999--

Signed and Sealed this  
Seventeenth Day of June, 2014



Michelle K. Lee  
*Deputy Director of the United States Patent and Trademark Office*