



US00D692923S

(12) **United States Design Patent**
Conrad et al.

(10) **Patent No.:** **US D692,923 S**
(45) **Date of Patent:** **** Nov. 5, 2013**

(54) **PUMP**

FOREIGN PATENT DOCUMENTS

(71) Applicant: **Ingersoll-Rand Company**, Davidson, NC (US)

DE 3246731 A1 6/1984
DE 20104631 U1 7/2001
EP 0271878 A2 6/1988
WO 2010088007 A1 8/2010

(72) Inventors: **John Conrad**, Troutman, NC (US); **Dale Treml**, Charlotte, NC (US); **Amy Trochum**, Clinton, NJ (US)

OTHER PUBLICATIONS

(73) Assignee: **Ingersoll-Rand Company**, Davidson, NC (US)

Ingersoll Rand Company Ltd, "Operator's Manual," Sep. 15, 2011, pp. 1-12.

(**) Term: **14 Years**

(Continued)

(21) Appl. No.: **29/443,156**

Primary Examiner — Ralf Seifert

(22) Filed: **Jan. 14, 2013**

(74) Attorney, Agent, or Firm — Barnes & Thornburg LLP

(51) **LOC (9) Cl.** **15-02**

(57) **CLAIM**

(52) **U.S. Cl.**

The ornamental design for a pump, as shown and described.

USPC **D15/7**

(58) **Field of Classification Search**

DESCRIPTION

USPC D15/7-9; D23/231, 232; 417/410.1, 417/359, 415-416, 234, 321, 265, 405, 1, 417/63, 53, 393; D24/107, 108, 111
See application file for complete search history.

Cross-reference is made to U.S. Utility patent application Ser. No. 13/741,057 entitled "Diaphragm Pump with Muffler-Mounted Sensor," which was filed by Dale Treml et al. on Jan. 14, 2013 and is expressly incorporated herein by reference. FIG. 1 is a front perspective view of a design of a pump; FIG. 2 is a rear perspective view of the pump of FIG. 1; FIG. 3 is a front elevation view of the pump of FIG. 1; FIG. 4 is a rear elevation view of the pump of FIG. 1; FIG. 5 is a first side elevation view of the pump of FIG. 1; FIG. 6 is a second side elevation view of the pump of FIG. 1; FIG. 7 is a top plan view of the pump of FIG. 1; and, FIG. 8 is a bottom plan view of the pump of FIG. 1. The broken lines shown in the figures depict environmental subject matter and form no part of the claimed design.

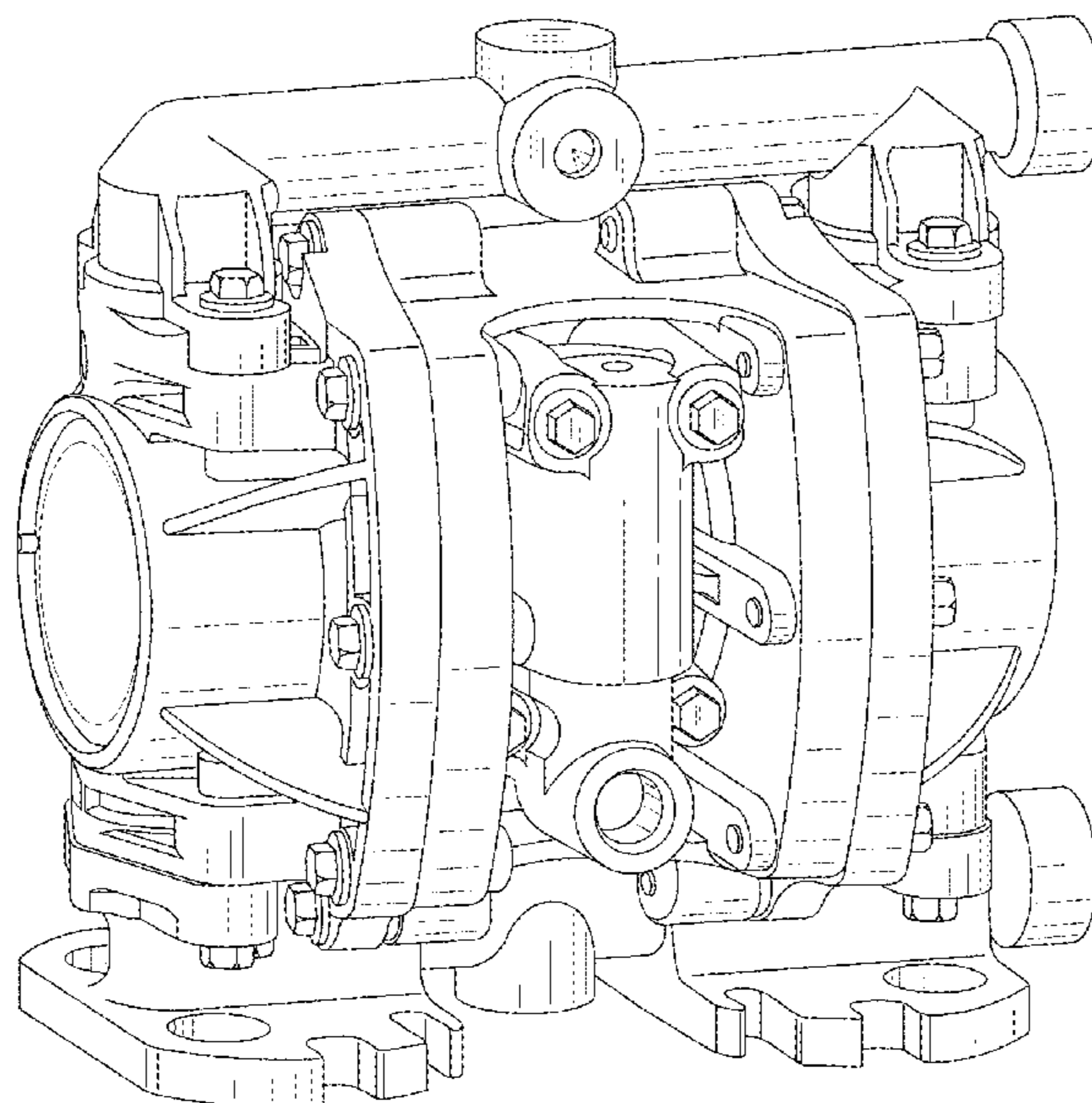
(56) **References Cited**

U.S. PATENT DOCUMENTS

4,705,459 A 11/1987 Buisine et al.
4,879,440 A 11/1989 Lymburner
D331,412 S * 12/1992 Wilden D15/7
5,257,914 A 11/1993 Reynolds
D370,488 S * 6/1996 Kozumplik et al. D15/7
D380,218 S * 6/1997 McKee et al. D15/7
D400,210 S * 10/1998 Reynolds et al. D15/7
5,816,778 A 10/1998 Elsey, Jr. et al.
6,168,387 B1 1/2001 Able et al.

(Continued)

1 Claim, 8 Drawing Sheets



(56)

References Cited

U.S. PATENT DOCUMENTS

6,241,487 B1 6/2001 Reynolds
6,280,149 B1 8/2001 Able et al.
6,957,952 B1 10/2005 Steck et al.
7,456,385 B2 11/2008 Engstrand
7,631,725 B2 12/2009 Towne et al.
D667,465 S * 9/2012 Headley et al. D15/7
D674,815 S * 1/2013 Headley et al. D15/7

D675,231 S * 1/2013 Headley et al. D15/7
D682,316 S * 5/2013 Rogne et al. D15/7
2010/0196168 A1 8/2010 Kozumplik et al.

OTHER PUBLICATIONS

Graco, Inc., "Reed Switch and Solenoid Kits 24B771 and 24B772,"
Aug. 2009, pp. 1-2.
Automation Direct, "Sensors," Oct. 2012, pp. e18-15, e18-16, vol.
14.

* cited by examiner

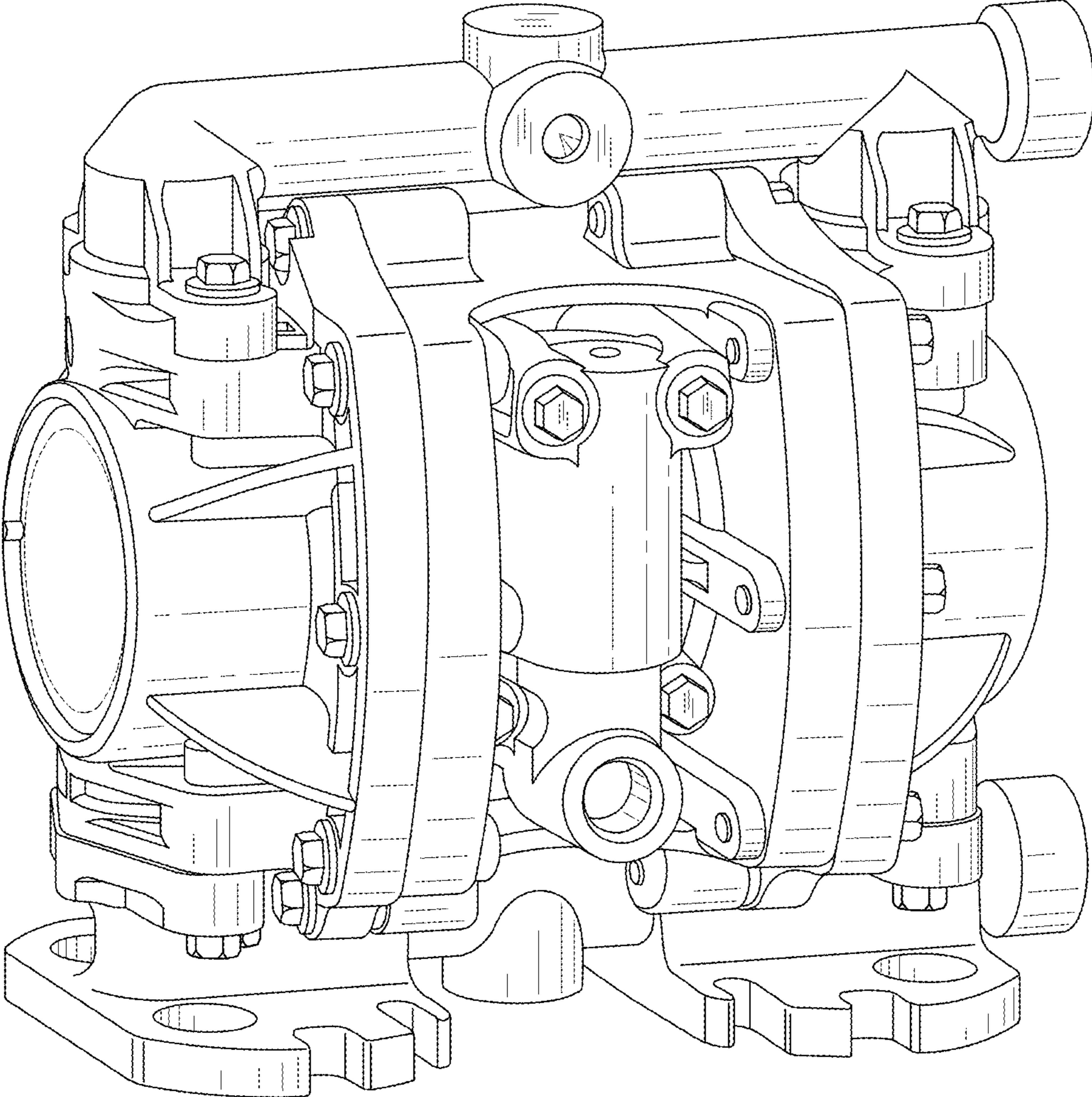


Fig. 1

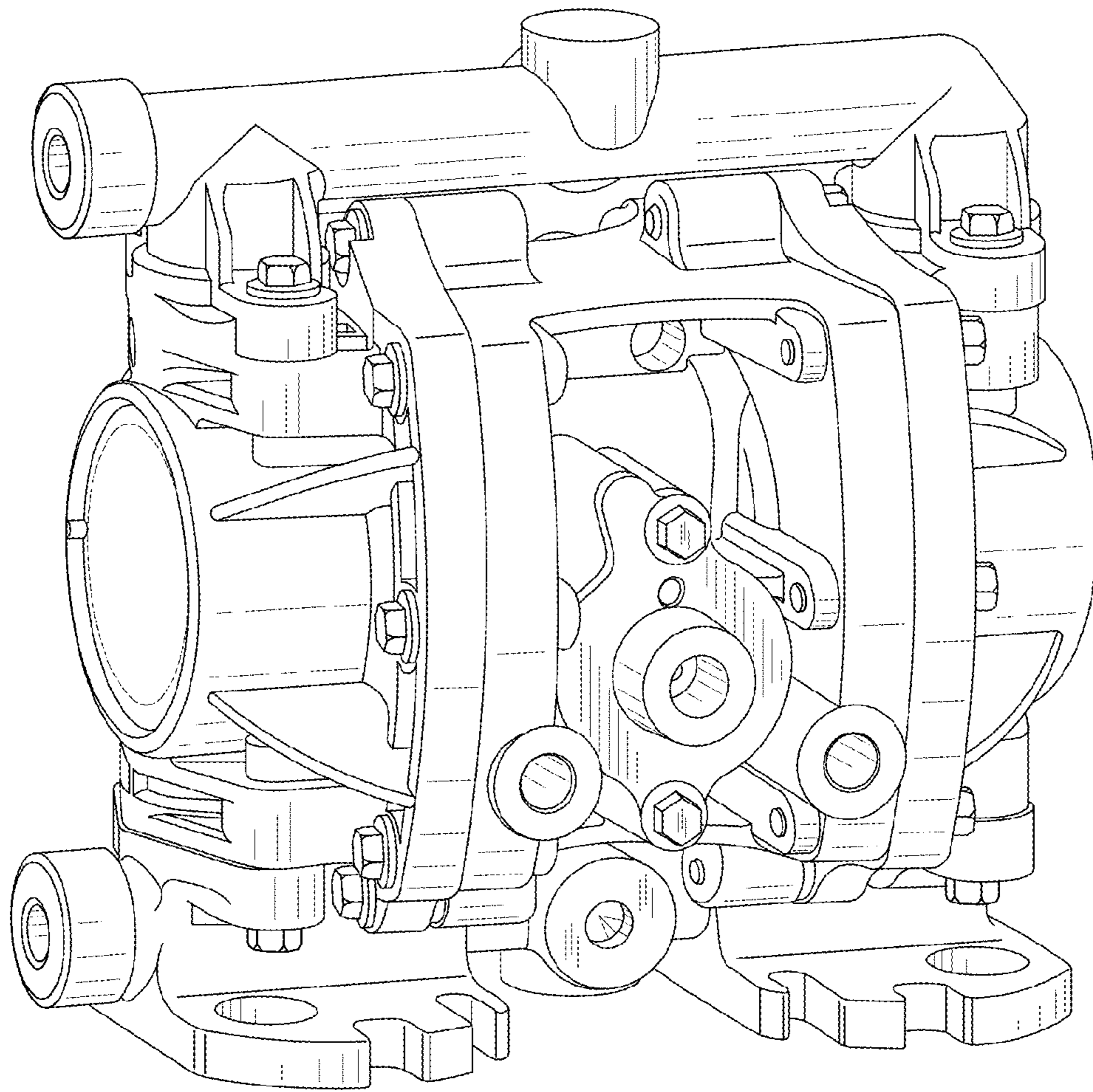


Fig. 2

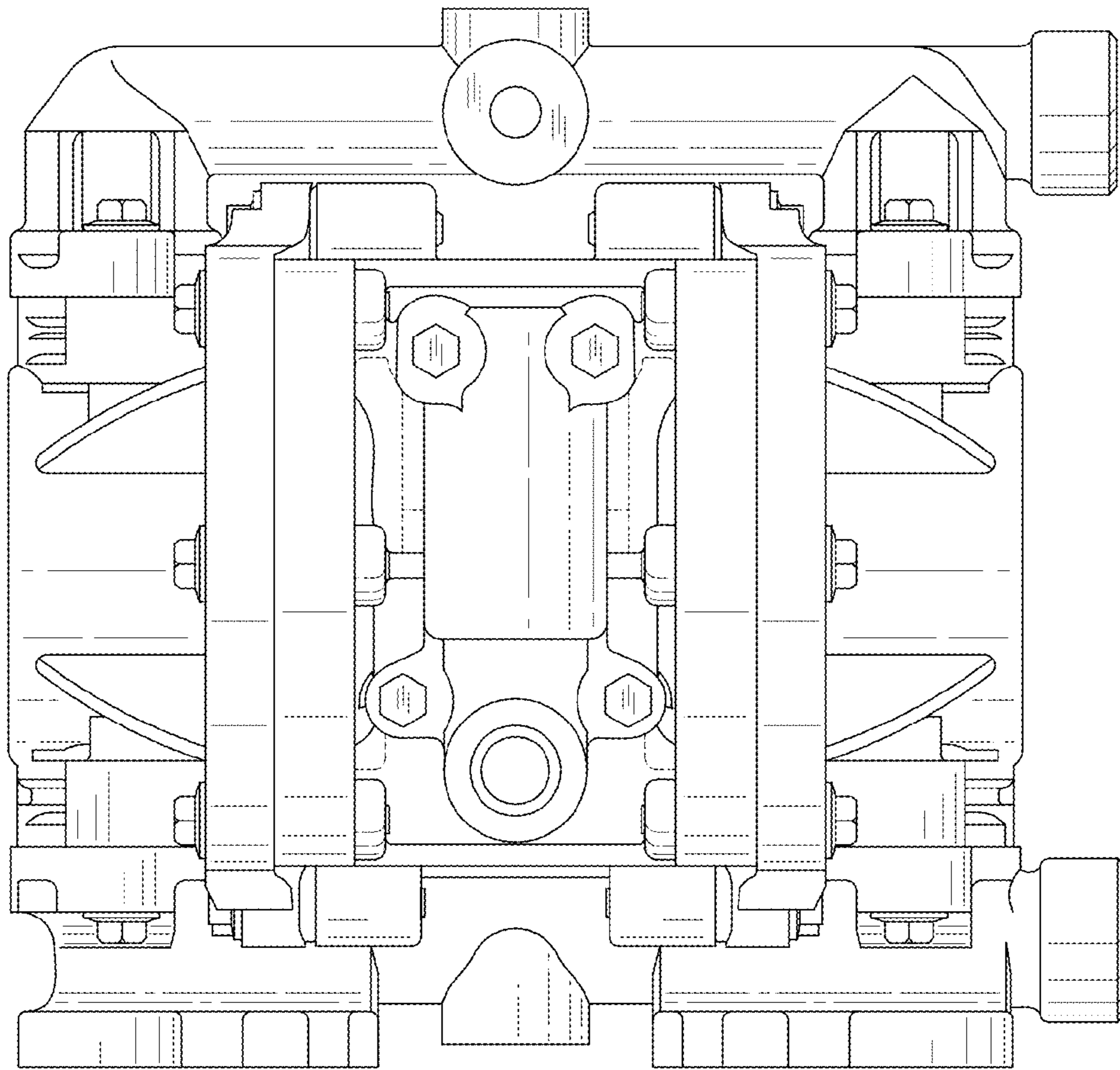


Fig. 3

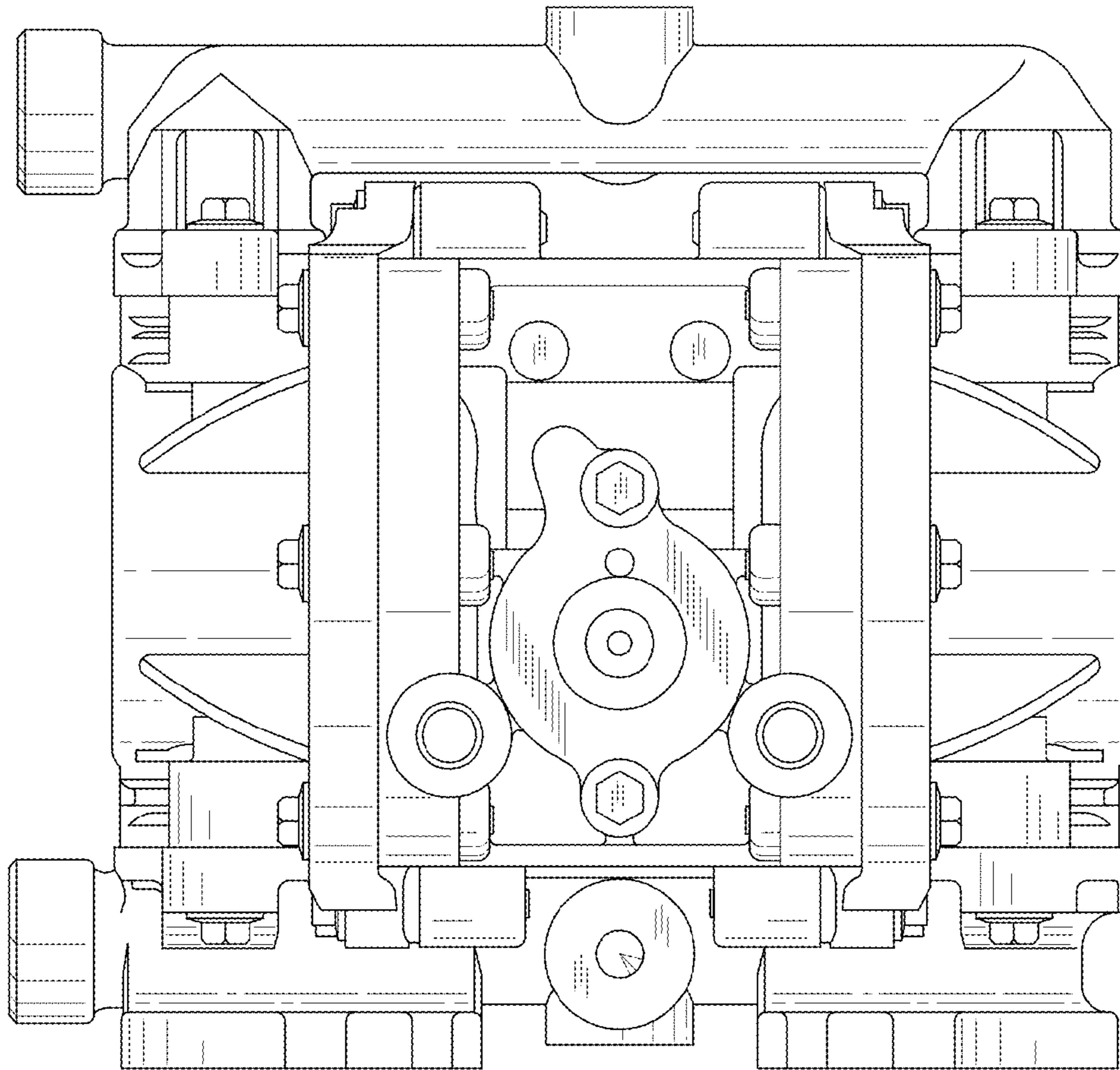


Fig. 4

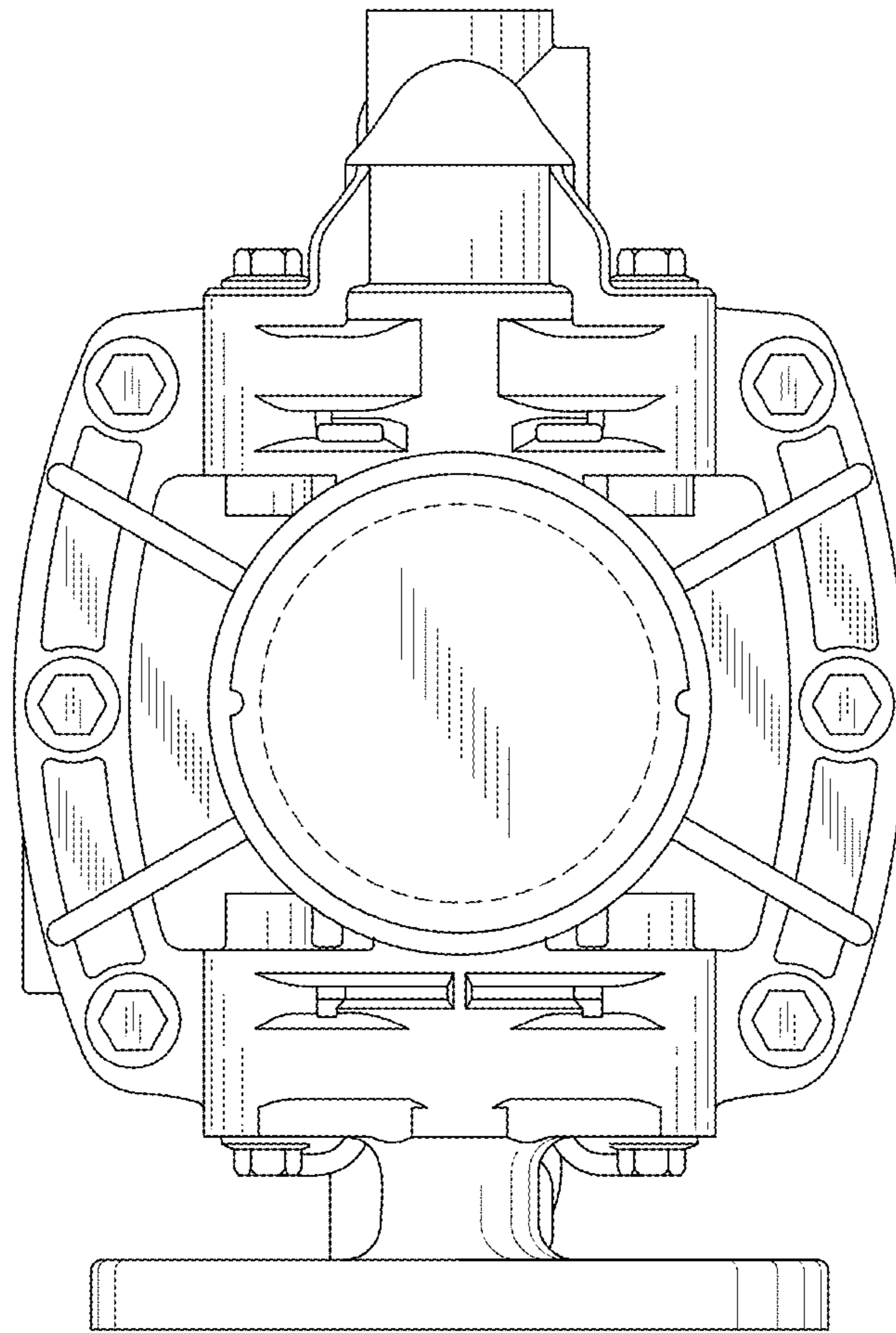


Fig. 5

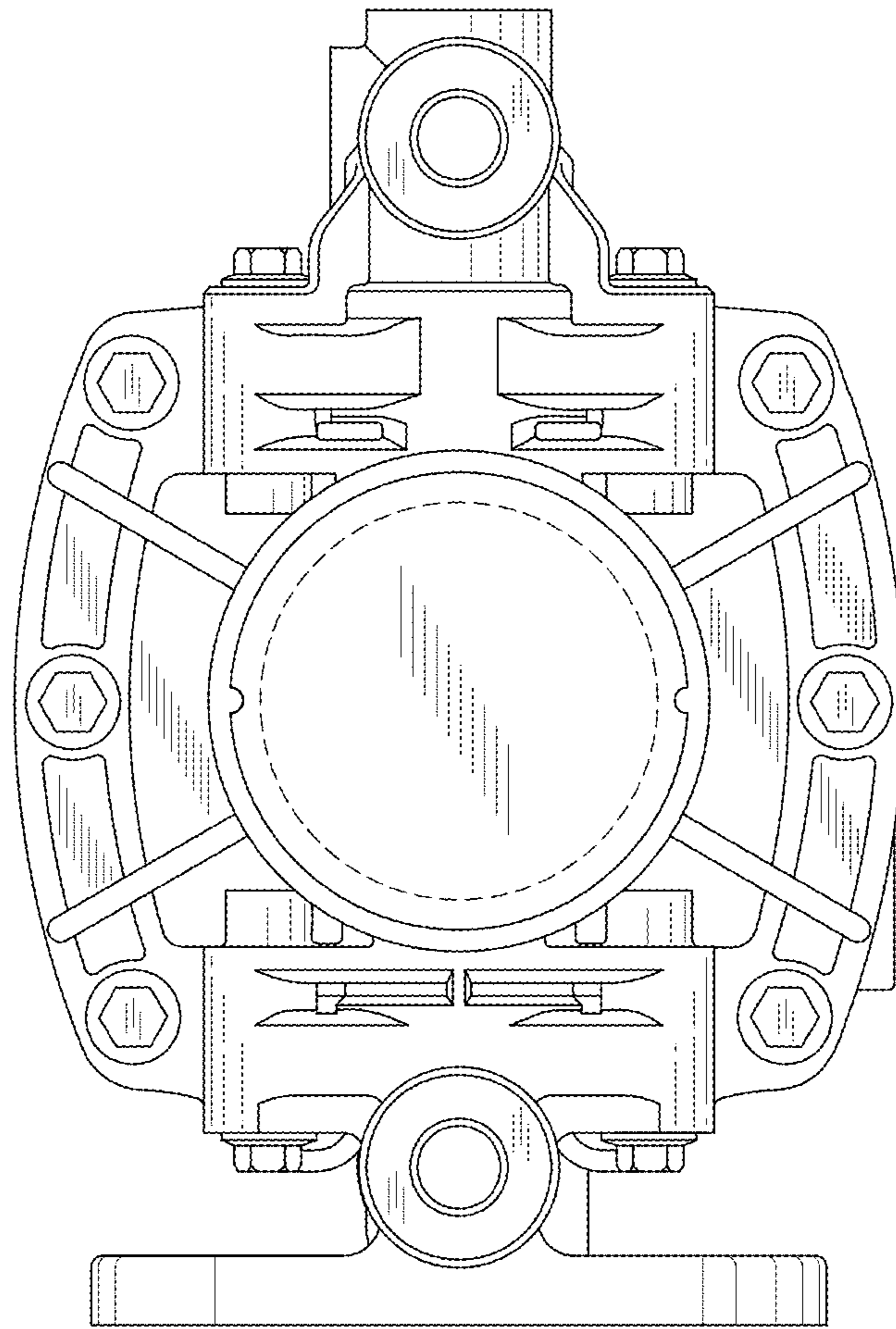


Fig. 6

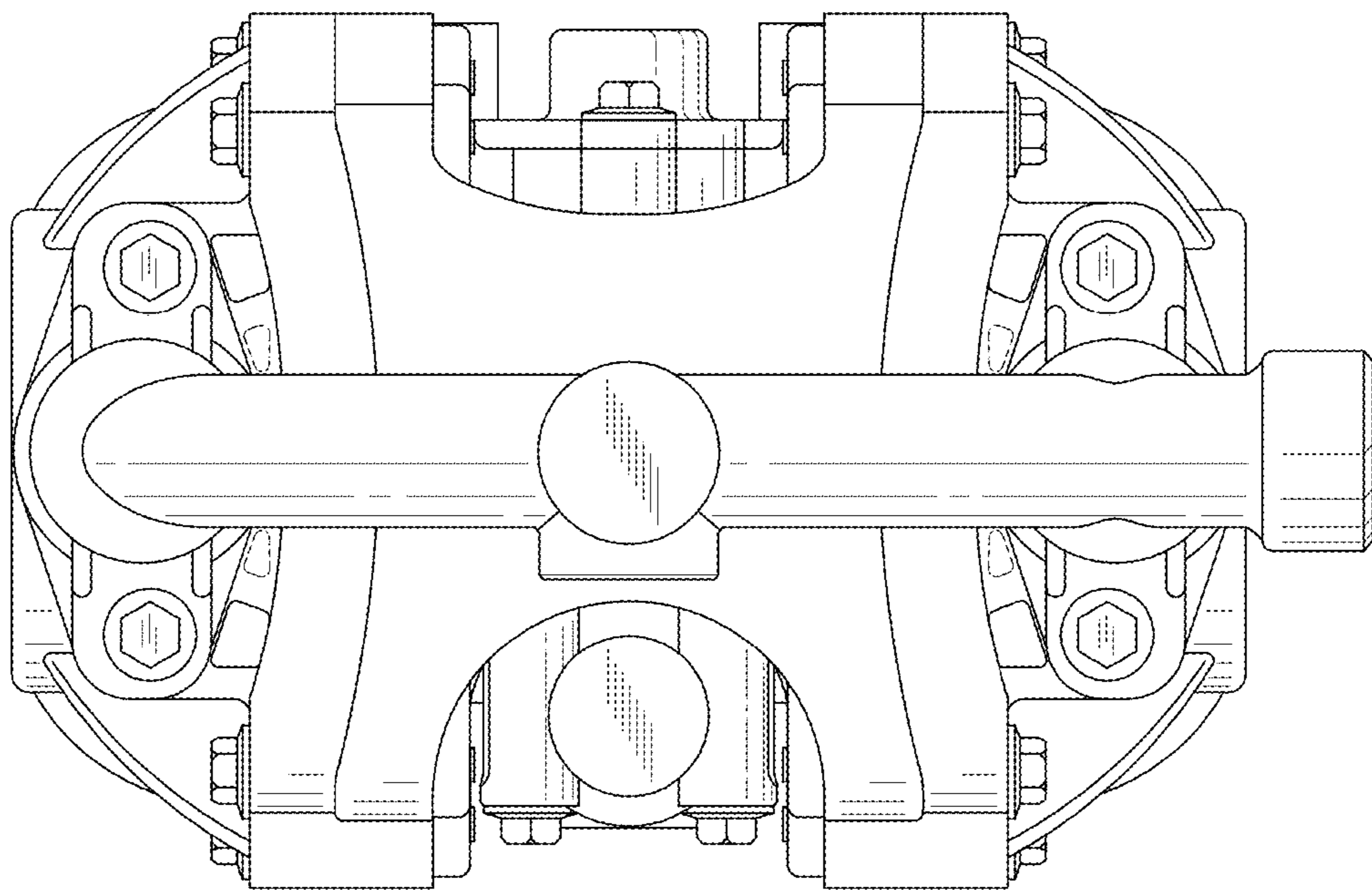


Fig. 7

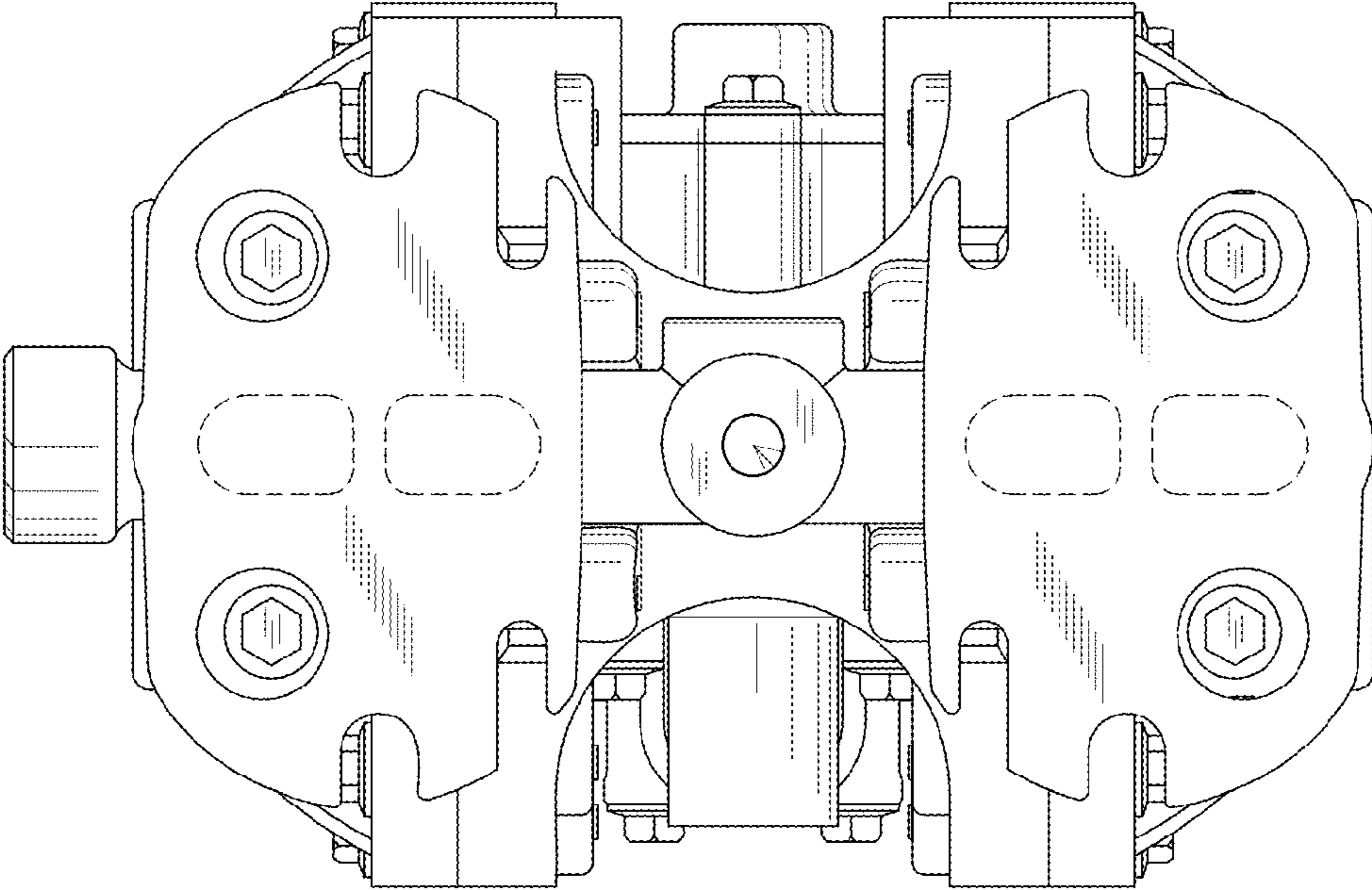


Fig. 8