



US00D692922S

(12) **United States Design Patent**
Okamoto

(10) **Patent No.:** **US D692,922 S**

(45) **Date of Patent:** **** Nov. 5, 2013**

(54) **OUTBOARD MOTOR**

(75) **Inventor:** **Hisashi Okamoto**, Hamamatsu (JP)

(73) **Assignee:** **Suzuki Motor Corporation**,
Shizuoka-Ken (JP)

(**) **Term:** **14 Years**

(21) **Appl. No.:** **29/430,731**

(22) **Filed:** **Aug. 29, 2012**

(30) **Foreign Application Priority Data**

Mar. 13, 2012 (JP) 2012-005593

(51) **LOC (9) Cl.** **15-01**

(52) **U.S. Cl.**
USPC **D15/4**

(58) **Field of Classification Search**
USPC D15/1-5, 149; 123/195 P; 440/3, 4,
440/88 R, 52; D12/317, 181
See application file for complete search history.

(56) **References Cited**

U.S. PATENT DOCUMENTS

D359,290 S *	6/1995	Takeuchi	D15/1
D412,911 S *	8/1999	Iekura	D15/4
D418,519 S *	1/2000	Iekura	D15/4
D466,907 S *	12/2002	Ohsumi	D15/4
D531,639 S *	11/2006	Okamoto	D15/4
D536,704 S *	2/2007	Iekura	D15/4
D584,317 S *	1/2009	Okamoto	D15/4
D589,981 S *	4/2009	Iekura	D15/4
D611,062 S *	3/2010	Okamoto	D15/4
D611,063 S *	3/2010	Okamoto	D15/4
D623,661 S *	9/2010	Yamagishi et al.	D15/4

D635,586 S *	4/2011	Okamoto	D15/4
D643,440 S *	8/2011	Dannenberg et al.	D15/4
D663,321 S *	7/2012	Okamoto	D15/3
D666,633 S *	9/2012	Watanabe	D15/4

* cited by examiner

Primary Examiner — T. Chase Nelson

Assistant Examiner — Ania Aman

(74) *Attorney, Agent, or Firm* — Alston & Bird LLP

(57) **CLAIM**

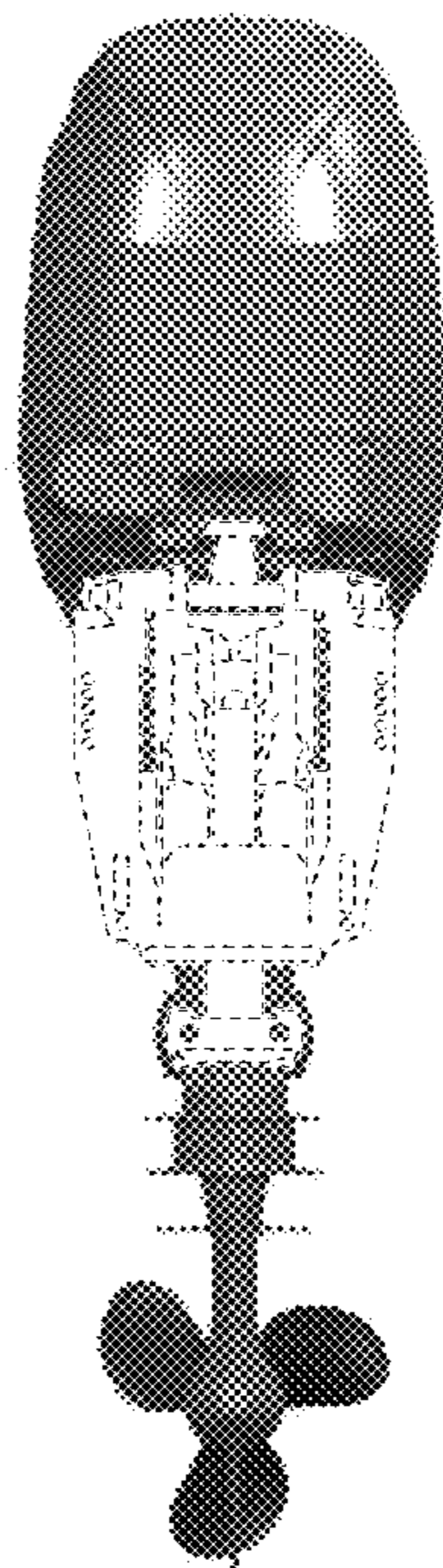
I claim the ornamental design for an outboard motor, as shown and described.

DESCRIPTION

FIG. 1 is a front view of an outboard motor showing our new design;
 FIG. 2 is a rear view thereof;
 FIG. 3 is a top view thereof;
 FIG. 4 is a bottom view thereof;
 FIG. 5 is a right side view thereof;
 FIG. 6 is a left side view thereof;
 FIG. 7 is a diagonally forward right side perspective view thereof;
 FIG. 8 is a diagonally backward right side perspective view thereof;
 FIG. 9 is a diagonally forward left side perspective view thereof; and,
 FIG. 10 is a diagonally backward left side perspective view thereof.

In the drawings, shading shown on a surface of the present design represents a three-dimensional shape of the surface. The broken lines are directed to unclaimed features. The broken lines form no part of the claimed design.

1 Claim, 5 Drawing Sheets



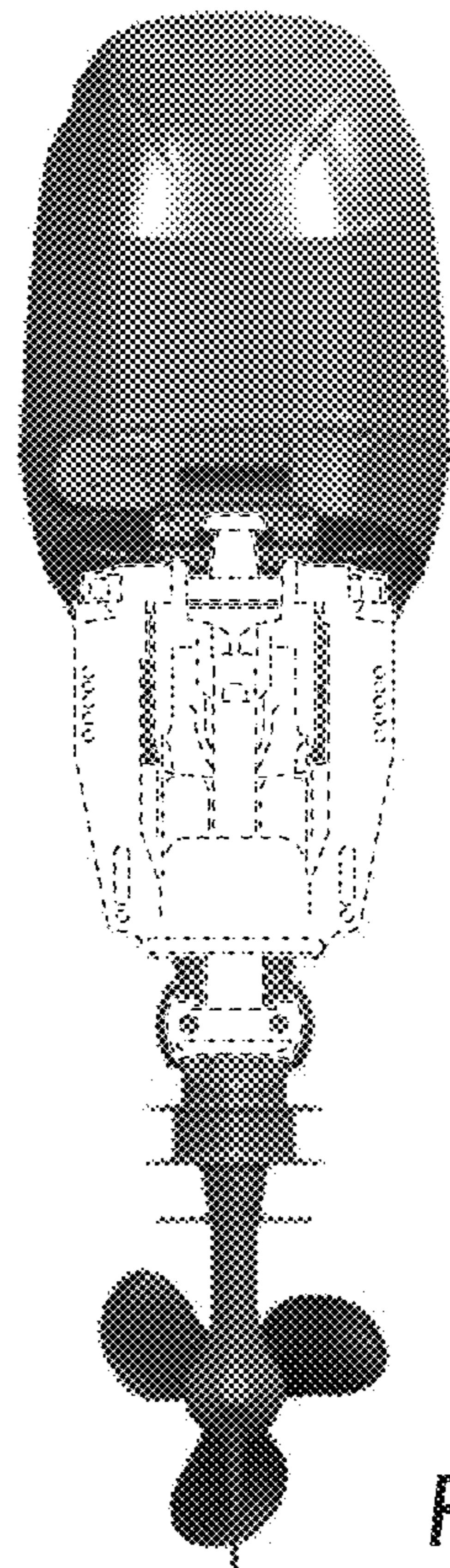


FIG. 1

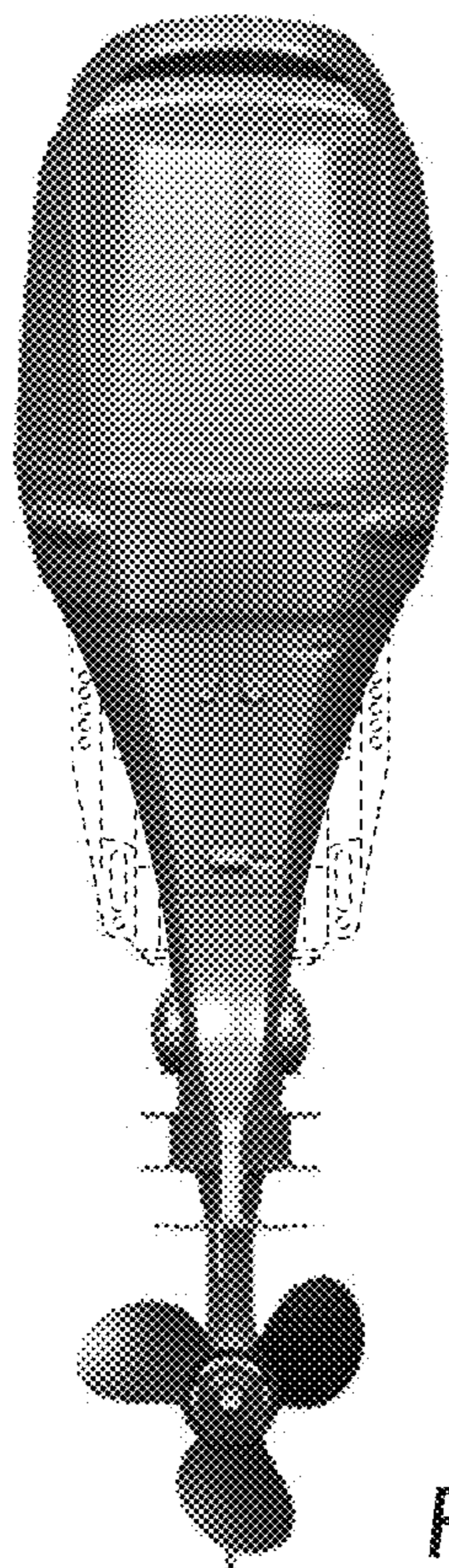


FIG. 2

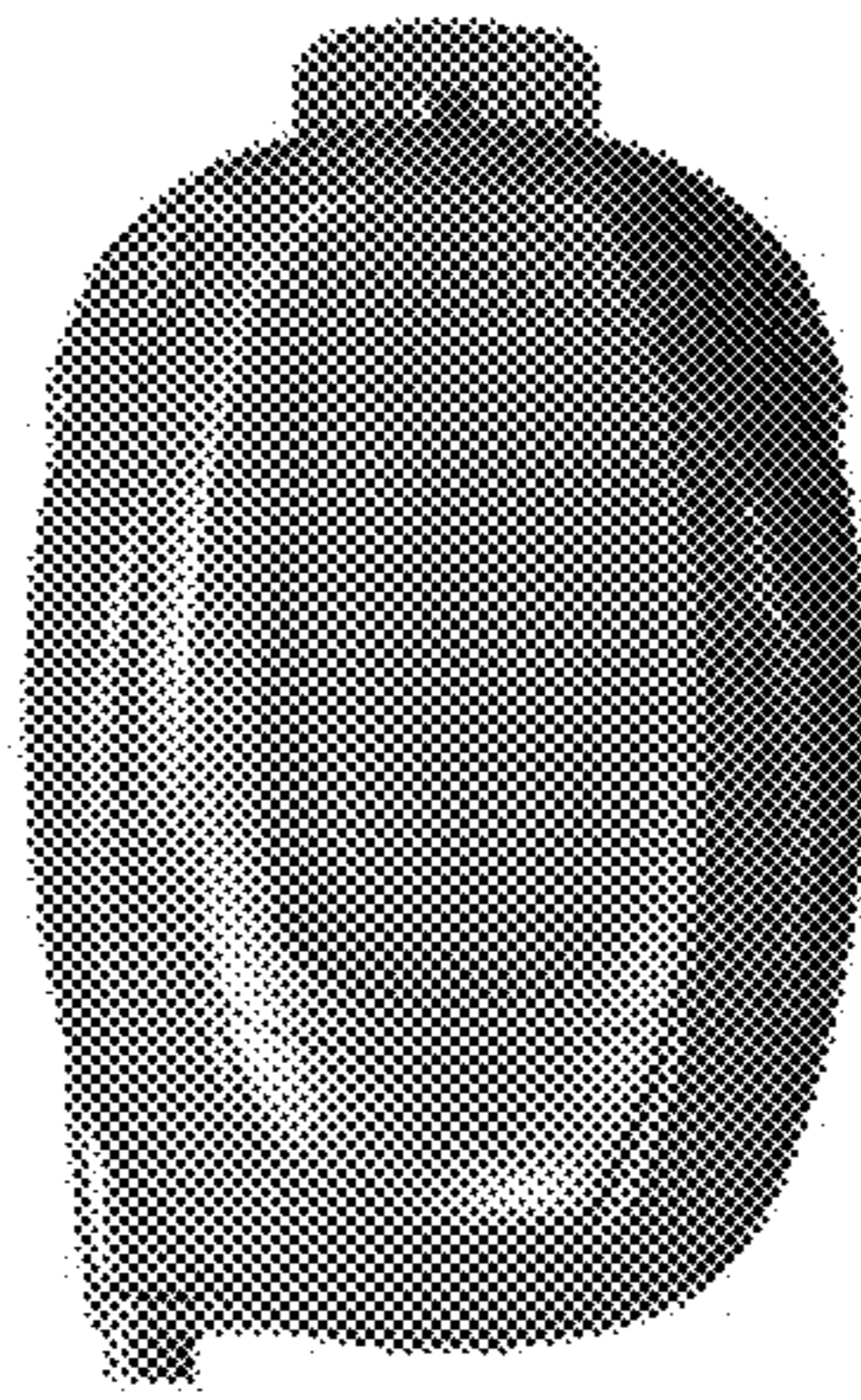


FIG. 3

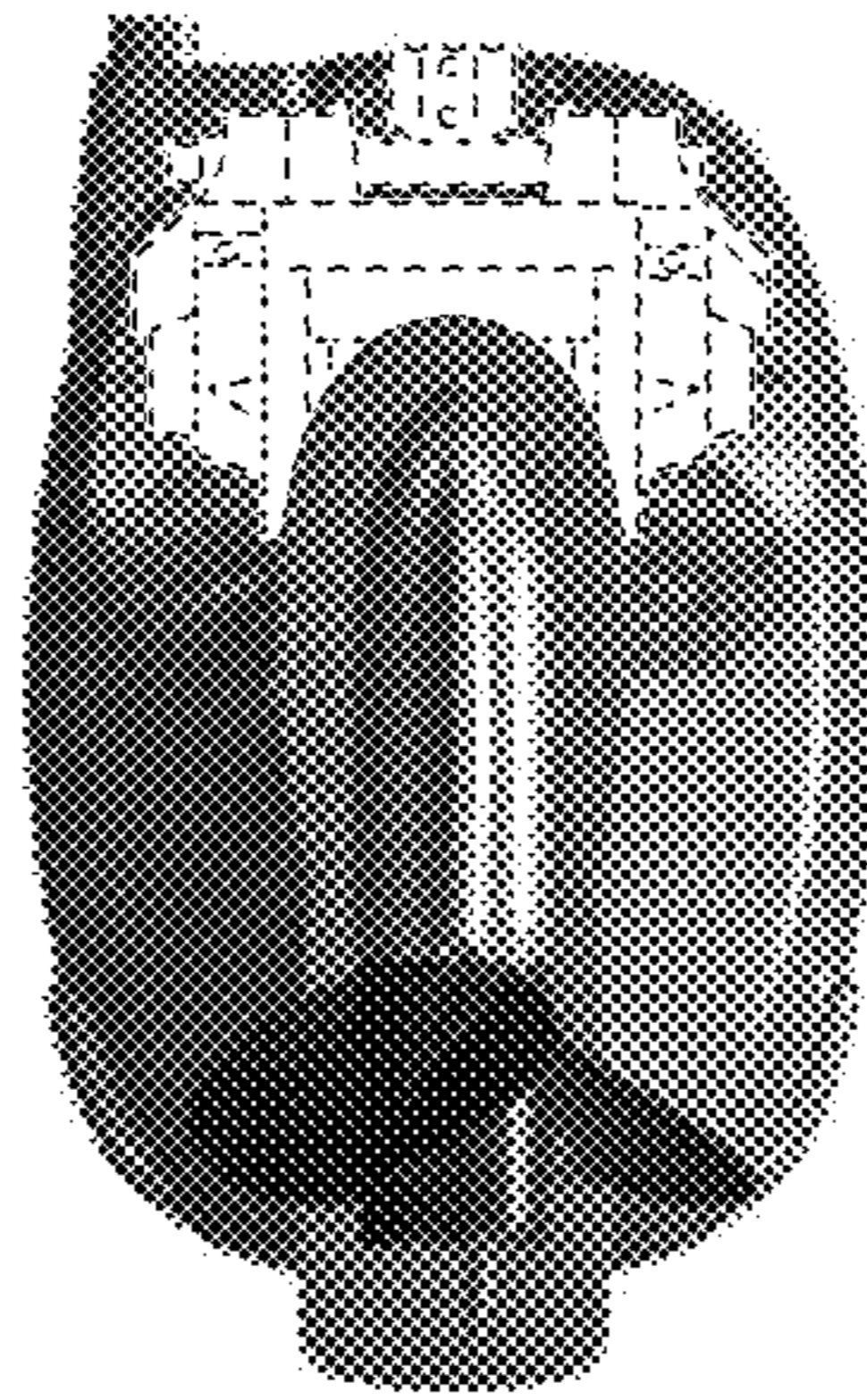


FIG. 4

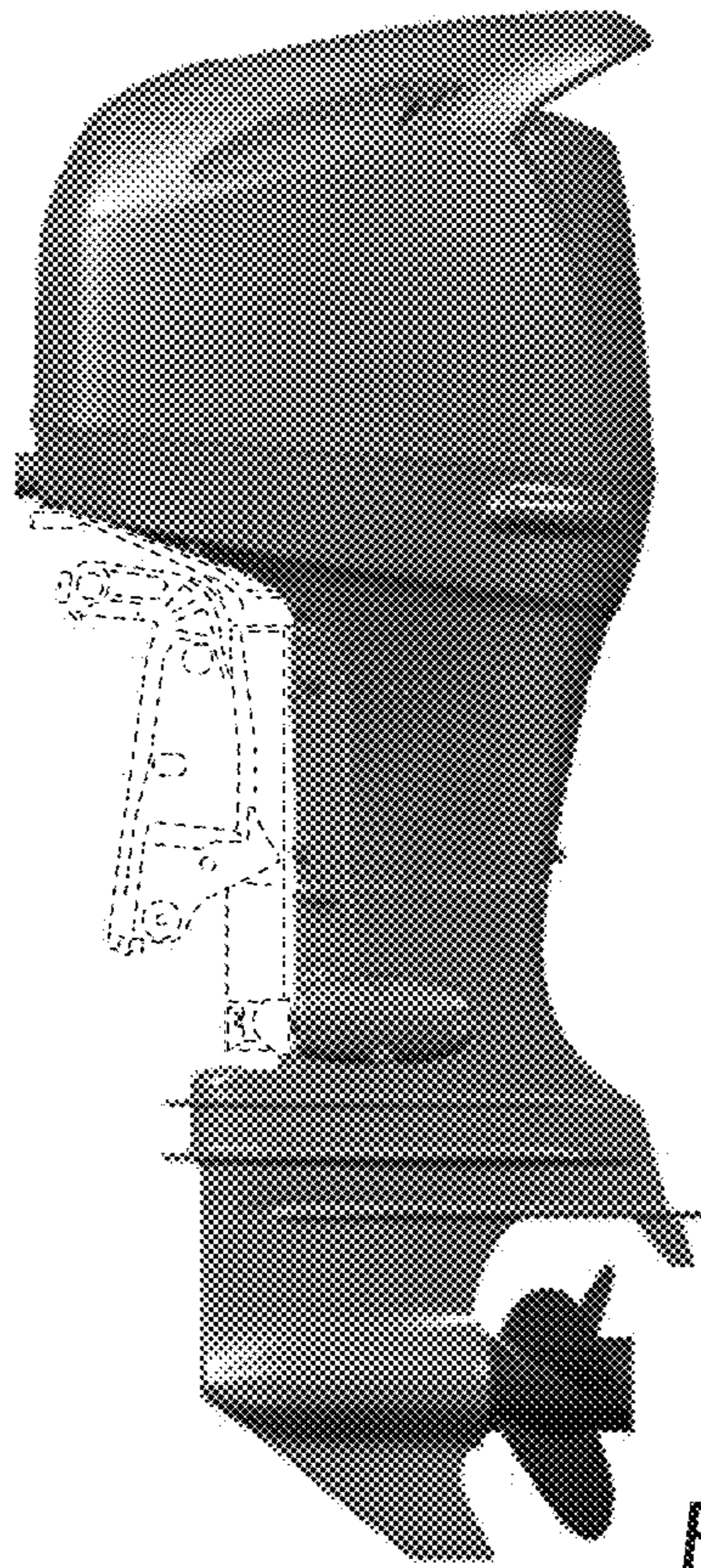


FIG. 5

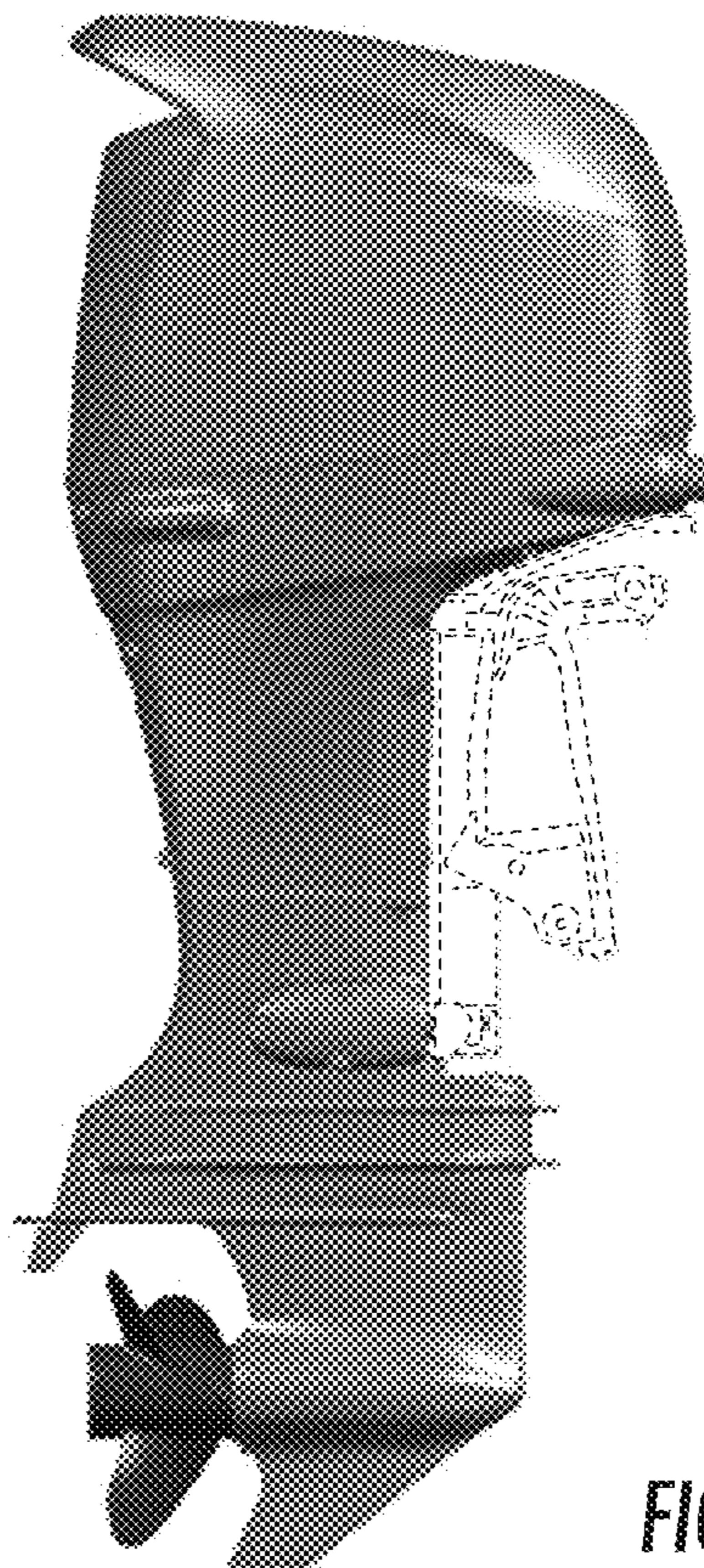


FIG. 6

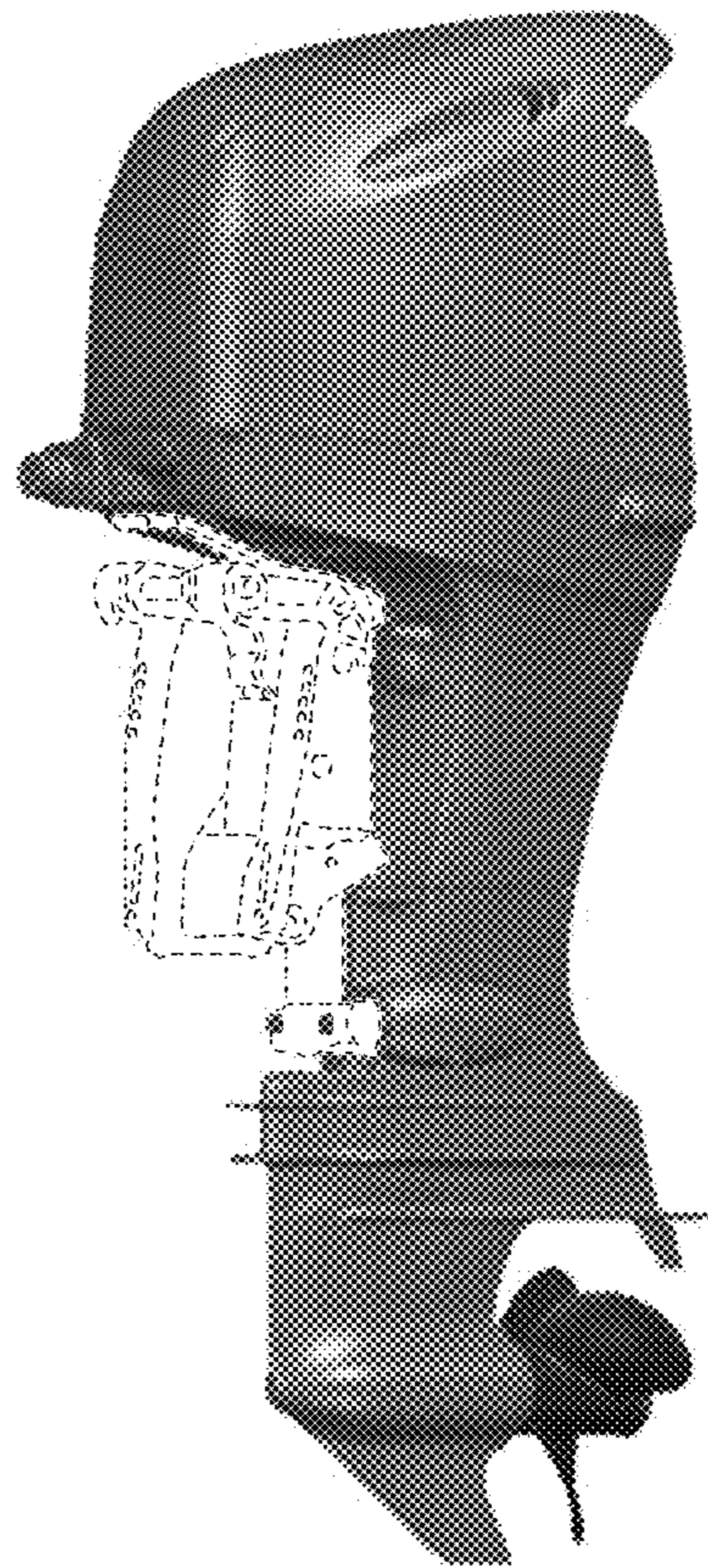


FIG. 7

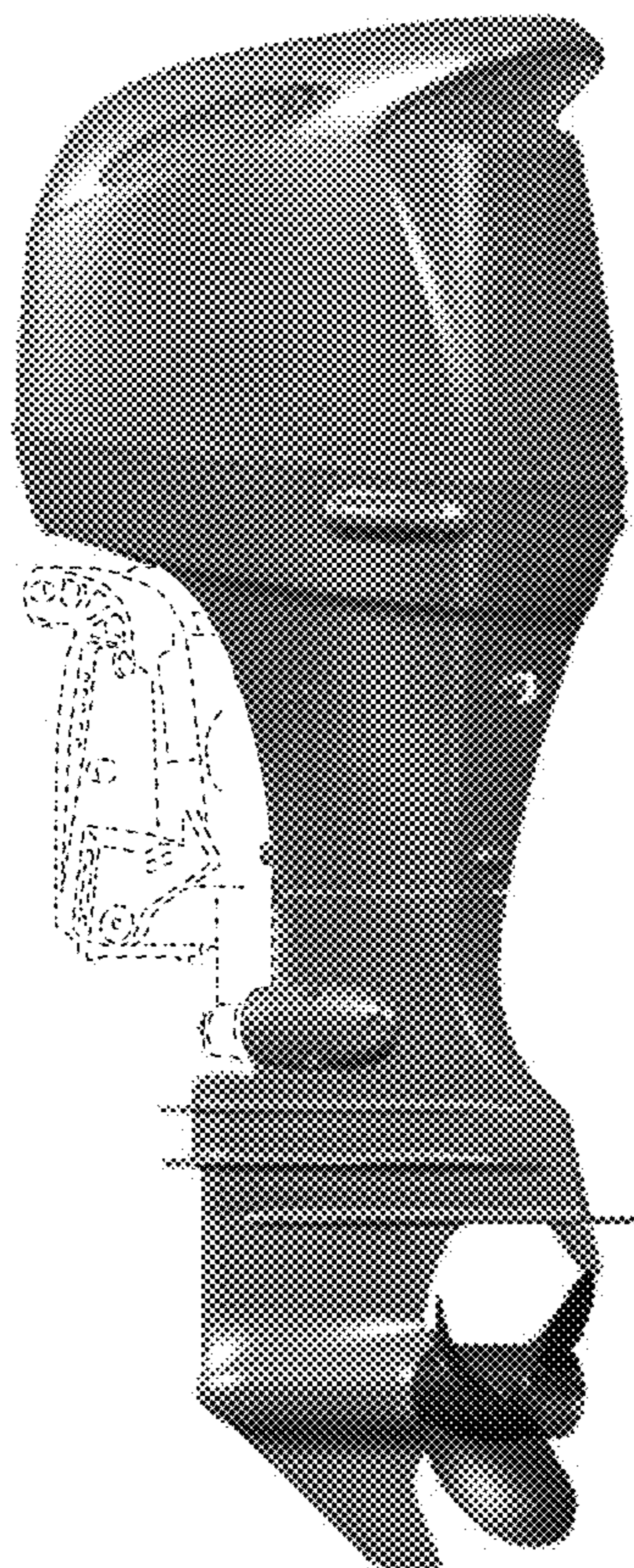


FIG. 8

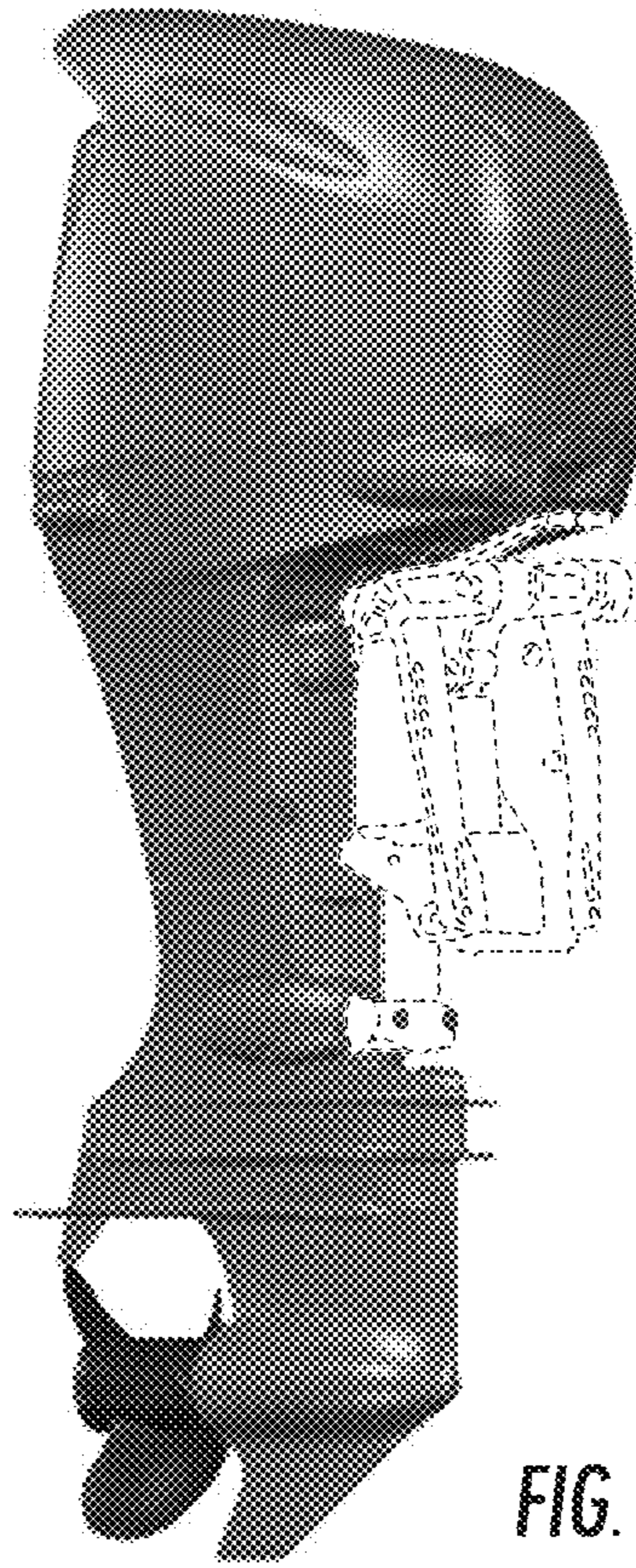


FIG. 9

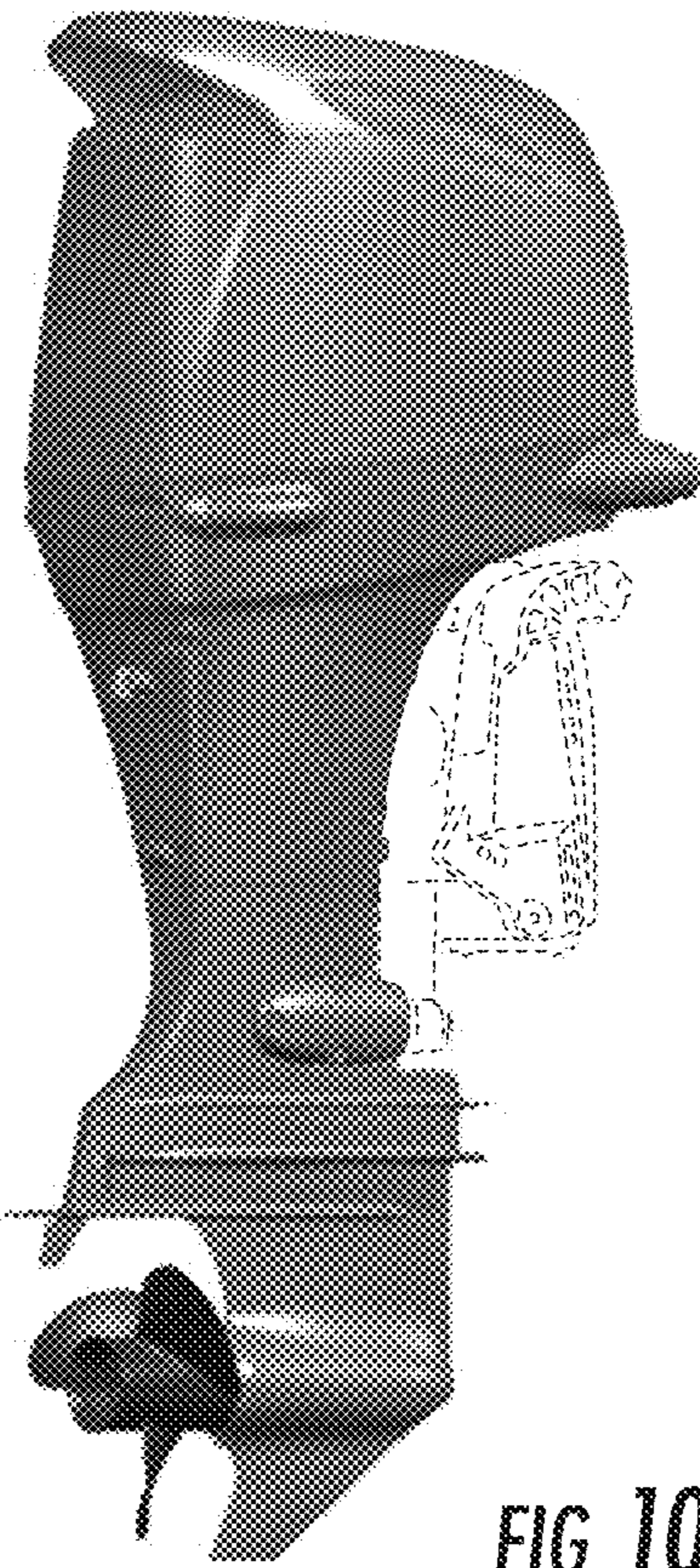


FIG. 10