

US00D692921S

(12) **United States Design Patent**
Akana et al.

(10) **Patent No.:** **US D692,921 S**
(45) **Date of Patent:** **** Nov. 5, 2013**

(54) **HOUSING FOR AN ELECTRONIC DEVICE**
(75) Inventors: **Jody Akana**, San Francisco, CA (US); **Bartley K. Andre**, Palo Alto, CA (US); **Jeremy Bataillou**, San Francisco, CA (US); **Daniel J. Coster**, San Francisco, CA (US); **Teodor Dabov**, San Francisco, CA (US); **Daniele De Iuliis**, San Francisco, CA (US); **M. Evans Hankey**, San Francisco, CA (US); **Richard P. Howarth**, San Francisco, CA (US); **Jonathan P. Ive**, San Francisco, CA (US); **Duncan Robert Kerr**, San Francisco, CA (US); **Anthony Montevirgen**, San Francisco, CA (US); **Shin Nishibori**, Kailua, HI (US); **Matthew Dean Rohrbach**, San Francisco, CA (US); **Peter Russell-Clarke**, San Francisco, CA (US); **Christopher J. Stringer**, Woodside, CA (US); **Eugene Antony Whang**, San Francisco, CA (US); **Kyle Yeates**, Palo Alto, CA (US); **Rico Zörkendörfer**, San Francisco, CA (US)

(73) Assignee: **Apple Inc.**, Cupertino, CA (US)

(**) Term: **14 Years**

(21) Appl. No.: **29/417,522**

(22) Filed: **Apr. 4, 2012**

Related U.S. Application Data

(63) Continuation of application No. 29/403,862, filed on Oct. 12, 2011, now Pat. No. Des. 657,381, which is a continuation of application No. 29/368,972, filed on Aug. 31, 2010, now Pat. No. Des. 647,107, which is a continuation of application No. 29/367,998, filed on Aug. 16, 2010, now Pat. No. Des. 638,443.

(51) **LOC (9) Cl.** **14-03**

(52) **U.S. Cl.**
USPC **D14/496; D14/203.3**

(58) **Field of Classification Search**
USPC D14/496, 401, 435, 474, 483, 217, 137, D14/138, 160, 168, 356, 203.1–203.8, 507; 345/156, 169, 173–179, 905; 715/727–729, 864; 710/1, 5, 8; 713/1, 713/600; 455/1.1, 1.7, 73, 344–347, 93, 95, 455/3.01–3.06, 550.1, 573.1; 370/342–344; 369/1, 2, 6–12; 463/43–47; 273/148 B
See application file for complete search history.

(56) **References Cited**
U.S. PATENT DOCUMENTS

D141,980 S 8/1945 Holland et al.
4,359,220 A 11/1982 Morrison et al.

(Continued)

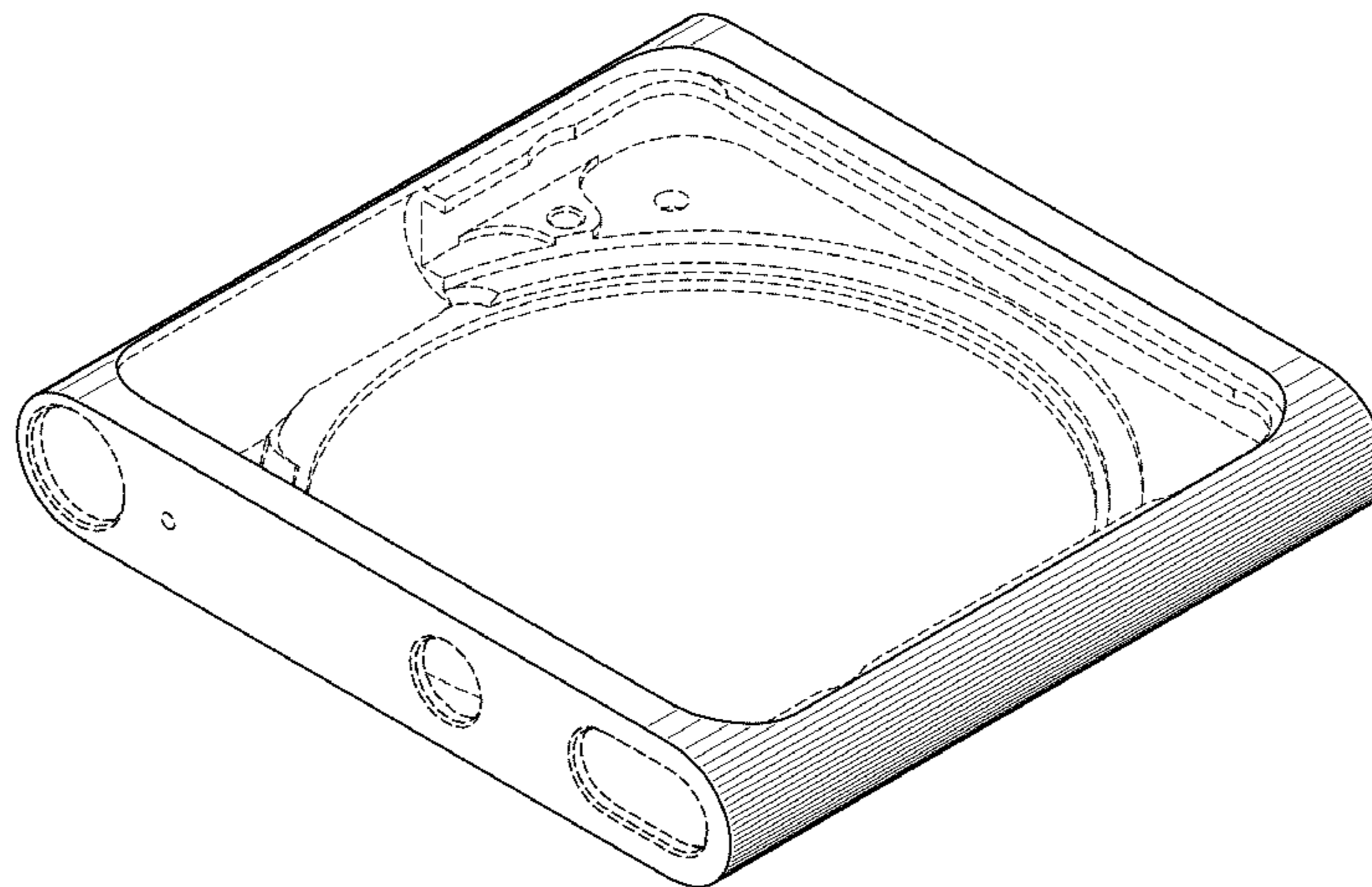
Primary Examiner — Prabhakar Deshmukh
(74) *Attorney, Agent, or Firm* — Sterne, Kessler, Goldstein & Fox PLLC

(57) **CLAIM**
The ornamental design for a housing for an electronic device, as shown and described.

DESCRIPTION

FIG. 1 is a rear top perspective view of a housing for an electronic device showing our new design; FIG. 2 is a front bottom perspective view thereof; FIG. 3 is a rear view thereof; FIG. 4 is a front view thereof; FIG. 5 is a bottom view thereof; FIG. 6 is top view thereof; FIG. 7 is a side view thereof; and, FIG. 8 is another side view thereof. The shade lines in the Figures show contour and not surface ornamentation. The broken lines in the Figures show portions of the housing for an electronic device which form no part of the claimed design.

1 Claim, 6 Drawing Sheets



(56)

References Cited

U.S. PATENT DOCUMENTS

D303,137 S	8/1989	Brown	D559,860 S	1/2008	Andre et al.
D306,519 S	3/1990	Nakata	D559,861 S	1/2008	Andre et al.
5,128,829 A	7/1992	Loew	D560,228 S	1/2008	Andre et al.
D339,806 S	9/1993	Grinkus	D563,434 S	3/2008	Dai
D344,511 S	2/1994	Ansai et al.	D568,338 S	5/2008	Andre et al.
D345,304 S	3/1994	Leader	D569,389 S	5/2008	Andre et al.
D411,767 S	7/1999	Keller	D570,876 S	6/2008	Lee
6,037,954 A *	3/2000	McMahon 345/169	D574,014 S	7/2008	Dai
6,122,526 A	9/2000	Parulski et al.	D575,304 S	8/2008	Andre et al.
D432,523 S	10/2000	Grinkus et al.	D577,990 S	10/2008	Andre et al.
D441,735 S	5/2001	Katayama	D579,952 S	11/2008	Yamada
D446,499 S	8/2001	Andre et al.	D580,953 S	11/2008	Andre et al.
6,354,477 B1	3/2002	Trummer	D585,077 S	1/2009	Sheba et al.
6,392,613 B1 *	5/2002	Goto 345/30	D586,740 S	2/2009	Song
D473,207 S	4/2003	Tanio	D586,741 S	2/2009	Song
6,567,011 B1	5/2003	Young et al.	D588,545 S	3/2009	Andre et al.
6,595,860 B1	7/2003	Yamamoto et al.	D589,530 S	3/2009	Andre et al.
D478,076 S	8/2003	Hong	D590,826 S	4/2009	Andre et al.
D490,796 S	6/2004	Allen	D591,766 S	5/2009	Andre et al.
D503,409 S	3/2005	Wong et al.	D592,677 S	5/2009	Sheba et al.
D506,476 S	6/2005	Andre et al.	D593,994 S	6/2009	Andre et al.
D513,611 S	1/2006	Hibi	D597,090 S	7/2009	Bemelmans
D515,545 S	2/2006	Griffin	D597,558 S	8/2009	Andre et al.
D516,579 S	3/2006	Nakamura	D601,172 S	9/2009	Andre et al.
7,013,164 B2	3/2006	Lin	D606,040 S	12/2009	Andre et al.
D520,502 S	5/2006	Xu et al.	D608,342 S	1/2010	Andre et al.
D534,184 S	12/2006	Leija et al.	D616,899 S	6/2010	Andre et al.
D534,545 S *	1/2007	Leija et al. D14/496	D618,206 S	6/2010	Andre et al.
D536,703 S *	2/2007	Kim D14/203.7	D618,207 S	6/2010	Andre et al.
D539,814 S	4/2007	Andre et al.	D627,367 S	11/2010	Andre et al.
D551,680 S	9/2007	Andre et al.	D629,789 S	12/2010	Andre et al.
D555,171 S	11/2007	Dai	D638,854 S	5/2011	Andre et al.
			D643,402 S	8/2011	Andre et al.
			2005/0049015 A1	3/2005	Wang

* cited by examiner

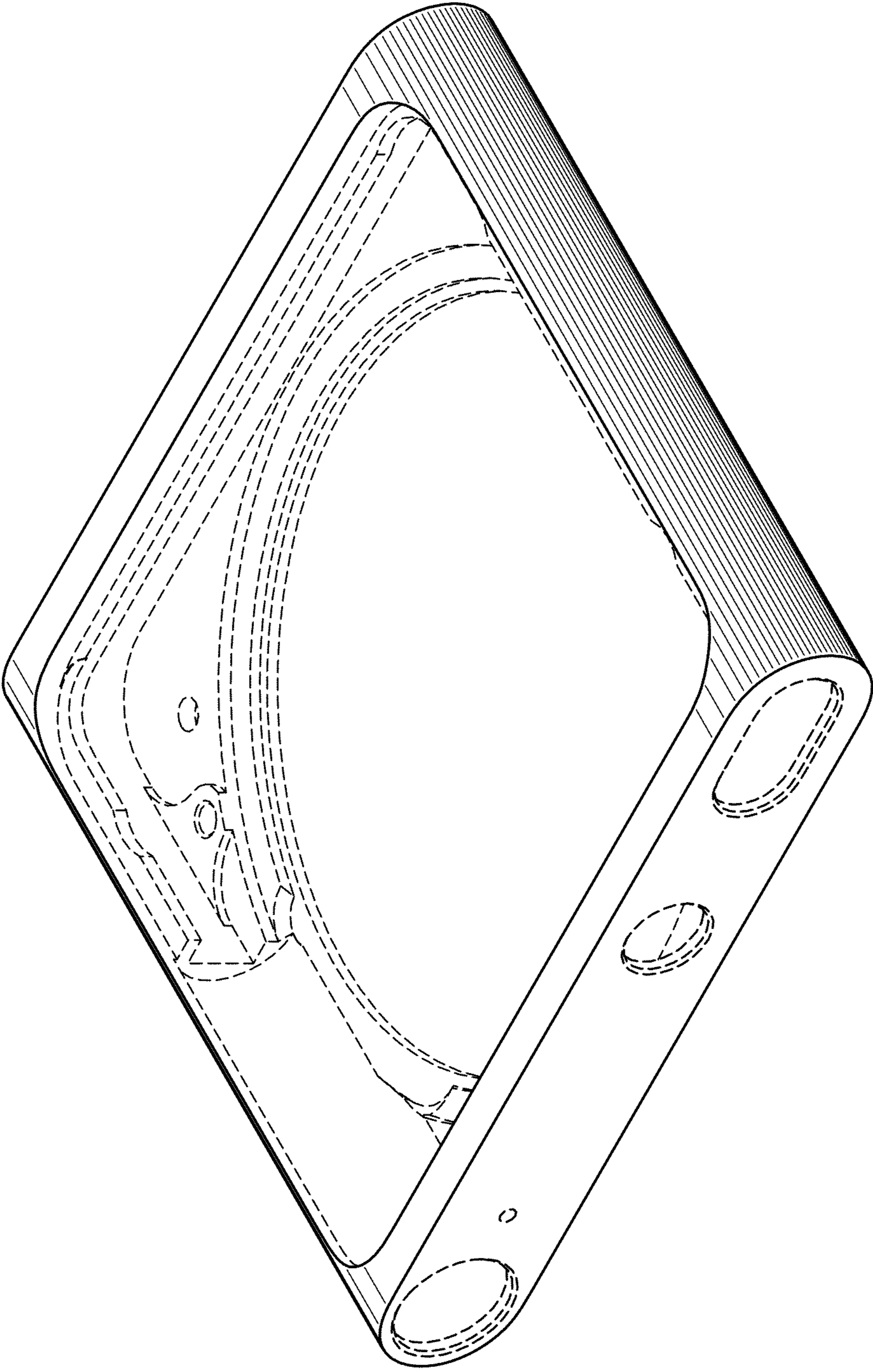


FIG. 1

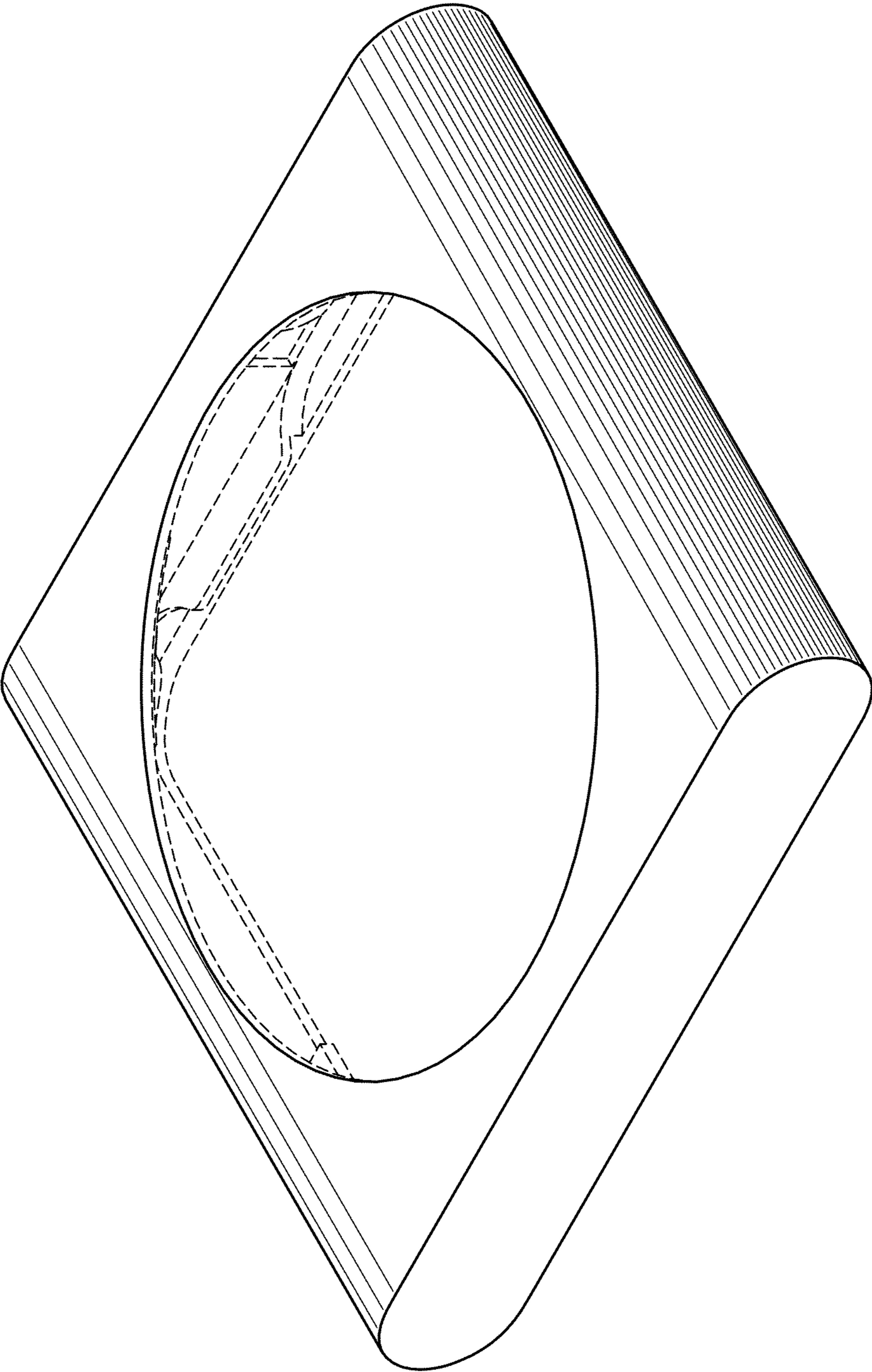


FIG.2

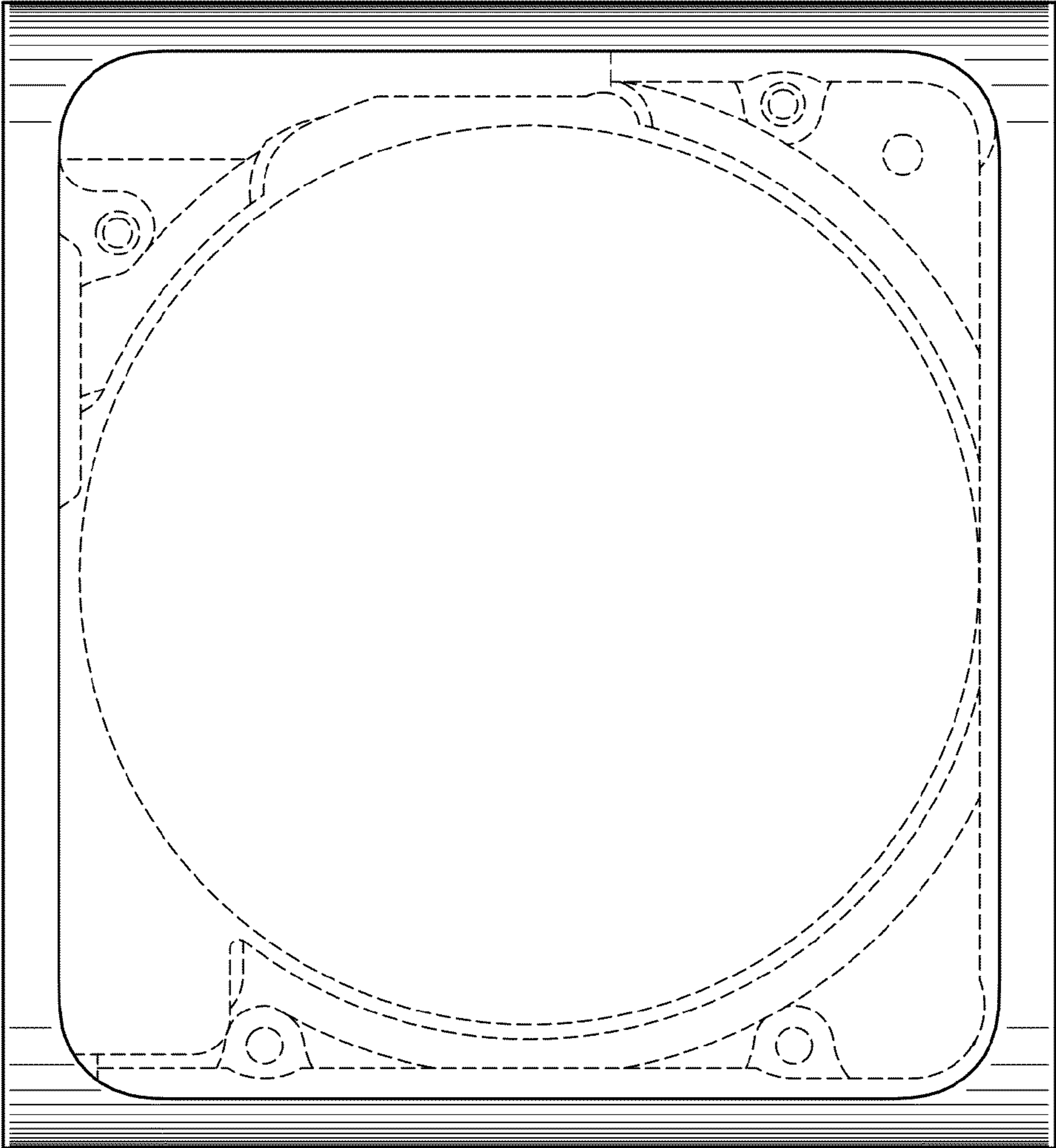


FIG.3

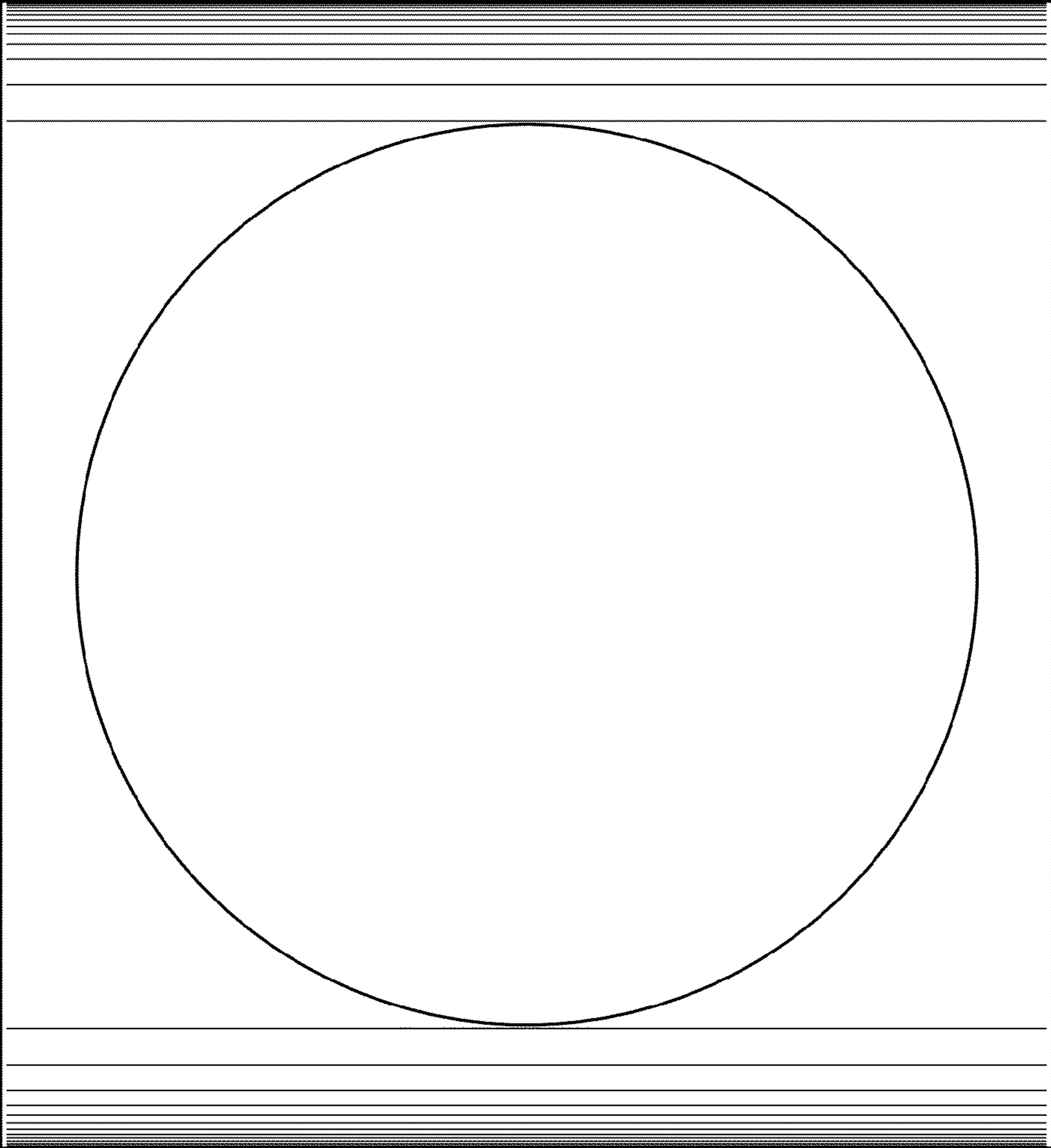


FIG.4

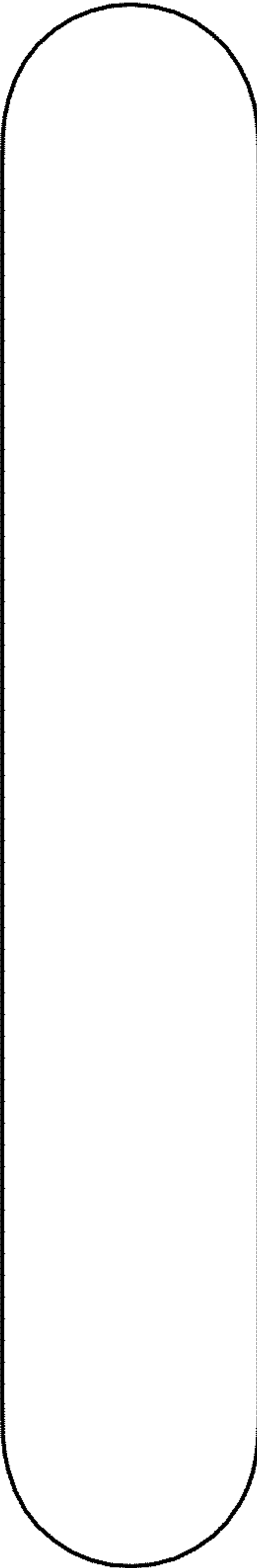


FIG. 5

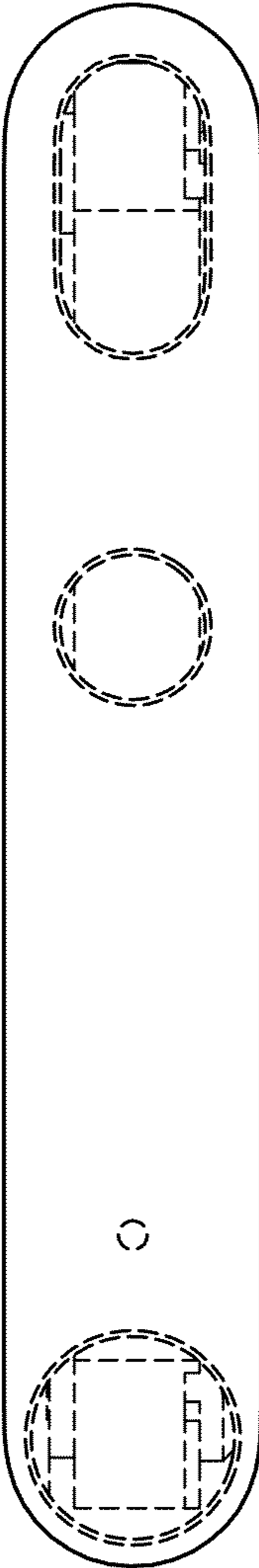


FIG. 6

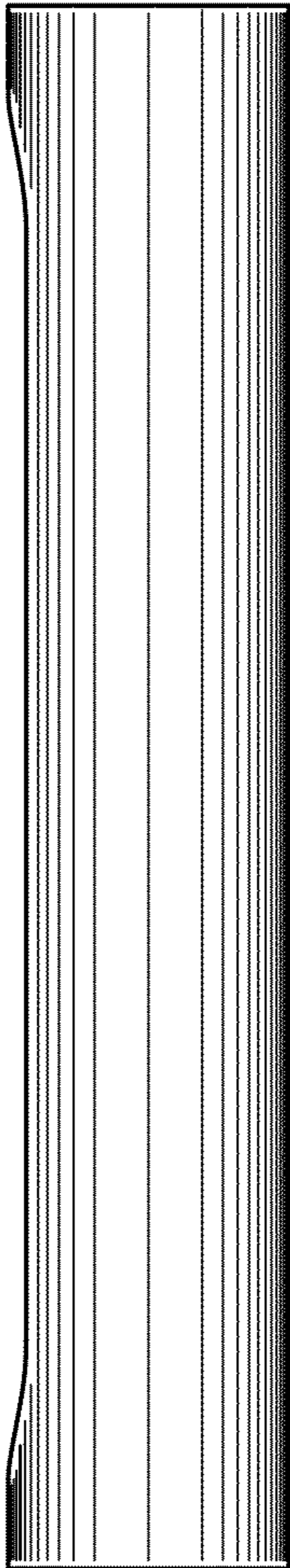


FIG. 7

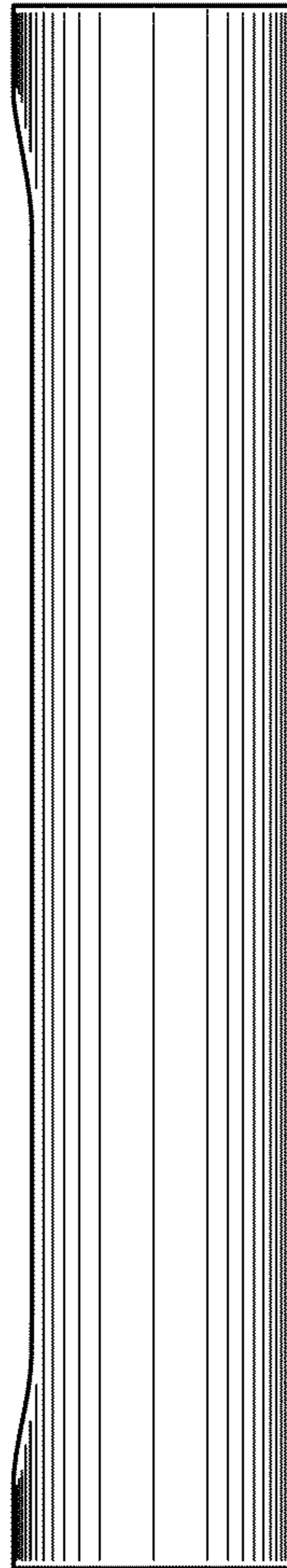


FIG. 8