



US00D692917S

(12) **United States Design Patent**  
**Edwards et al.**

(10) **Patent No.:** **US D692,917 S**  
(45) **Date of Patent:** **\*\* Nov. 5, 2013**

- (54) **DISPLAY SCREEN WITH ICON**
- (75) Inventors: **Rodney C. Edwards**, Seattle, WA (US);  
**Emily S. Voreis**, Bothell, WA (US)
- (73) Assignee: **Microsoft Corporation**, Redmond, WA (US)
- (\*\*) Term: **14 Years**
- (21) Appl. No.: **29/432,387**
- (22) Filed: **Sep. 14, 2012**
- (51) **LOC (9) Cl.** ..... **14-04**
- (52) **U.S. Cl.**  
USPC ..... **D14/489**
- (58) **Field of Classification Search**  
USPC ..... D14/485–495, 341, 327; 715/772, 856,  
715/839, 809, 771, 719, 764, 227, 804;  
707/792, 769, 706; 705/310  
See application file for complete search history.

Sports Trophy Icon Clip Art Image 1, printed Sep. 18, 2012; date unknown but prior to the filing date of the present invention.  
 Sports Trophy Icon Clip Art Image 2, printed Sep. 18, 2012; date unknown but prior to the filing date of the present invention.  
 Sports Trophy Icon Clip Art Image 3, printed Sep. 18, 2012; date unknown but prior to the filing date of the present invention.  
 Sports Trophy Icon Clip Art Image 4, printed Sep. 18, 2012; date unknown but prior to the filing date of the present invention.  
 Sports Trophy Icon Clip Art Image 5, printed Sep. 18, 2012; date unknown but prior to the filing date of the present invention.  
 Sports Trophy Icon Clip Art Image 6, printed Sep. 18, 2012; date unknown but prior to the filing date of the present invention.  
 Sports Trophy Icon Clip Art Image 7, printed Sep. 18, 2012; date unknown but prior to the filing date of the present invention.  
 Sports Trophy Icon Clip Art Image 8, printed Sep. 18, 2012; date unknown but prior to the filing date of the present invention.  
 Sports Trophy Icon Clip Art Image 9, printed Sep. 18, 2012; date unknown but prior to the filing date of the present invention.

(Continued)

*Primary Examiner* — Kevin Rudzinski  
(74) *Attorney, Agent, or Firm* — Banner & Witcoff, Ltd.

(56) **References Cited**

U.S. PATENT DOCUMENTS

D545,325	S	*	6/2007	Pieratt et al.	.....	D14/492
D561,196	S	*	2/2008	Okaro et al.	.....	D14/492
D574,398	S	*	8/2008	Armstrong et al.	.....	D14/492
D577,369	S	*	9/2008	Armstrong et al.	.....	D14/492
D607,895	S	*	1/2010	Marashi	.....	D14/486
D629,812	S	*	12/2010	Kaczmarek	.....	D14/492
D645,469	S	*	9/2011	Gardner et al.	.....	D14/488
2004/0136698	A1	*	7/2004	Mock	.....	386/123
2005/0210388	A1	*	9/2005	Matsumoto	.....	715/719

OTHER PUBLICATIONS

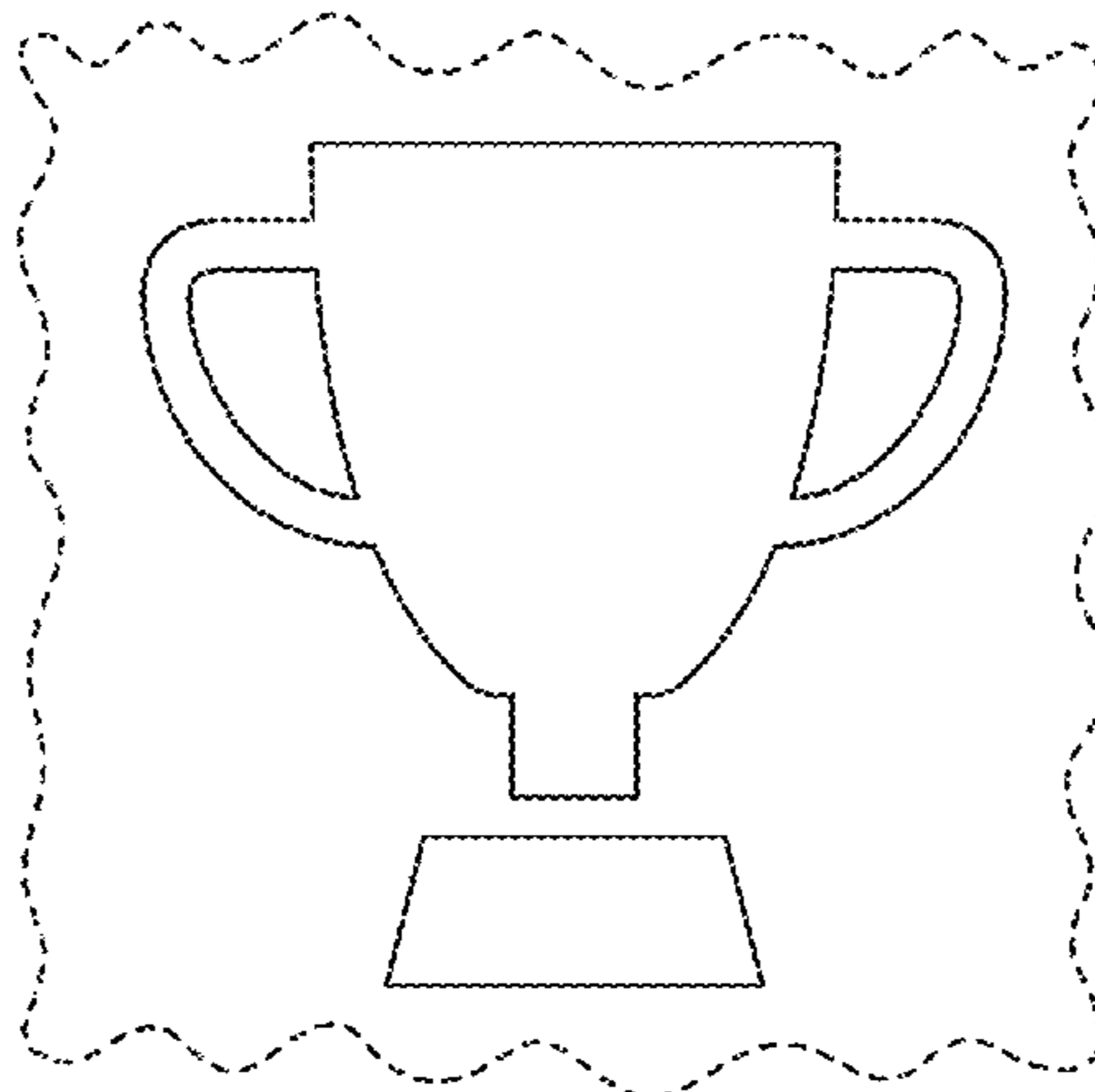
IconArchive, <http://www.iconarchive.com/tag/trophy>, Nov. 27, 2012.\*  
 iStockphoto, <http://www.istockphoto.com/stock-illustration-17256364-deep-black-series-trophy-and-award-icons.php>, Jul. 26, 2011.\*

(57) **CLAIM**  
The ornamental design for a display screen with icon, as shown and described.

**DESCRIPTION**

FIG. 1 is a front view of a display screen with icon showing our new design;  
 FIG. 2 is a front view of a display screen with icon showing an alternative embodiment of the design of FIG. 1;  
 FIG. 3 is a front view of a display screen with icon showing our new design; and,  
 FIG. 4 is a front view of a display screen with icon showing an alternative embodiment of the design of FIG. 3.  
 The broken line showing of the remainder the display screen is for environmental purposes only and forms no part of the claimed design.

**1 Claim, 4 Drawing Sheets**



(56)

**References Cited**

## OTHER PUBLICATIONS

Sports Trophy Icon Clip Art Image 10, printed Sep. 18, 2012; date unknown but prior to the filing date of the present invention.

Sports Trophy Icon Clip Art Image 11, printed Sep. 18, 2012; date unknown but prior to the filing date of the present invention.

Sports Trophy Icon Clip Art Image 12, printed Sep. 18, 2012; date unknown but prior to the filing date of the present invention.

Sports Trophy Icon Clip Art Image 13, printed Sep. 18, 2012; date unknown but prior to the filing date of the present invention.

Sports Trophy Icon Clip Art Image 14, printed Sep. 18, 2012; date unknown but prior to the filing date of the present invention.

Sports Trophy Icon Clip Art Image 15, printed Sep. 18, 2012; date unknown but prior to the filing date of the present invention.

Sports Trophy Icon Clip Art Image 16, printed Sep. 18, 2012; date unknown but prior to the filing date of the present invention.

Sports Trophy Icon Clip Art Image 17, printed Sep. 18, 2012; date unknown but prior to the filing date of the present invention.

Sports Trophy Icon Clip Art Image 18, printed Sep. 18, 2012; date unknown but prior to the filing date of the present invention.

Sports Trophy Icon (A), printed Sep. 18, 2012; date unknown but prior to the filing date of the present invention <http://www.google.com/url?q=http://www.iconarchive.com/show/sport-icons-by->

[icons-land/Trophy-Gold-icon.html&ust=1346855369446204&usg=AFQjCNEygaBwWxtRP15mxyR\\_6UnaVUynNA](http://www.icons-land.com/Trophy-Gold-icon.html&ust=1346855369446204&usg=AFQjCNEygaBwWxtRP15mxyR_6UnaVUynNA).

Sports Trophy Icon (B), printed Sep. 18, 2012; date unknown but prior to the filing date of the present invention <http://www.google.com/url?q=http://www.iconspedia.com/icon/trophy-icon-20044.html&ust=1346855445834473>

<http://www.google.com/url?q=http://www.dreamstime.com/stock-image-gold-trophy-illustration-icon-image8727301&ust=1346855489909076&usg=AFQjCNHCLulvgn2414PVohvNz-jcztpZXw>.

Sports Trophy Icon (C), printed Sep. 18, 2012; date unknown but prior to the filing date of the present invention <http://www.google.com/url?q=http://www.dreamstime.com/stock-image-gold-trophy-illustration-icon-image8727301&ust=1346855489909076&usg=AFQjCNHCLulvgn2414PVohvNz-jcztpZXw>.

Sports Trophy Icon (D), printed Sep. 18, 2012; date unknown but prior to the filing date of the present invention <http://www.google.com/url?q=http://www.icons shock.com/icons/clean/business/trophy-icon.html&ust=134685538989078&usg=AFQjCNGe-FB9zNWC-S5ky2aRpAb6Z4erYQ>.

Sports Trophy Icon (E), printed Sep. 18, 2012; date unknown but prior to the filing date of the present invention [http://www.iconfinder.com/icondetails/70666/128/\\_icon](http://www.iconfinder.com/icondetails/70666/128/_icon).

Sports Trophy Icon (F), printed Sep. 18, 2012; date unknown but prior to the filing date of the present invention (origination [http://www.bradfitzpatrick.com/store/products/Cartoon\\_Trophy\\_Clipart-518-4.html](http://www.bradfitzpatrick.com/store/products/Cartoon_Trophy_Clipart-518-4.html)).

\* cited by examiner

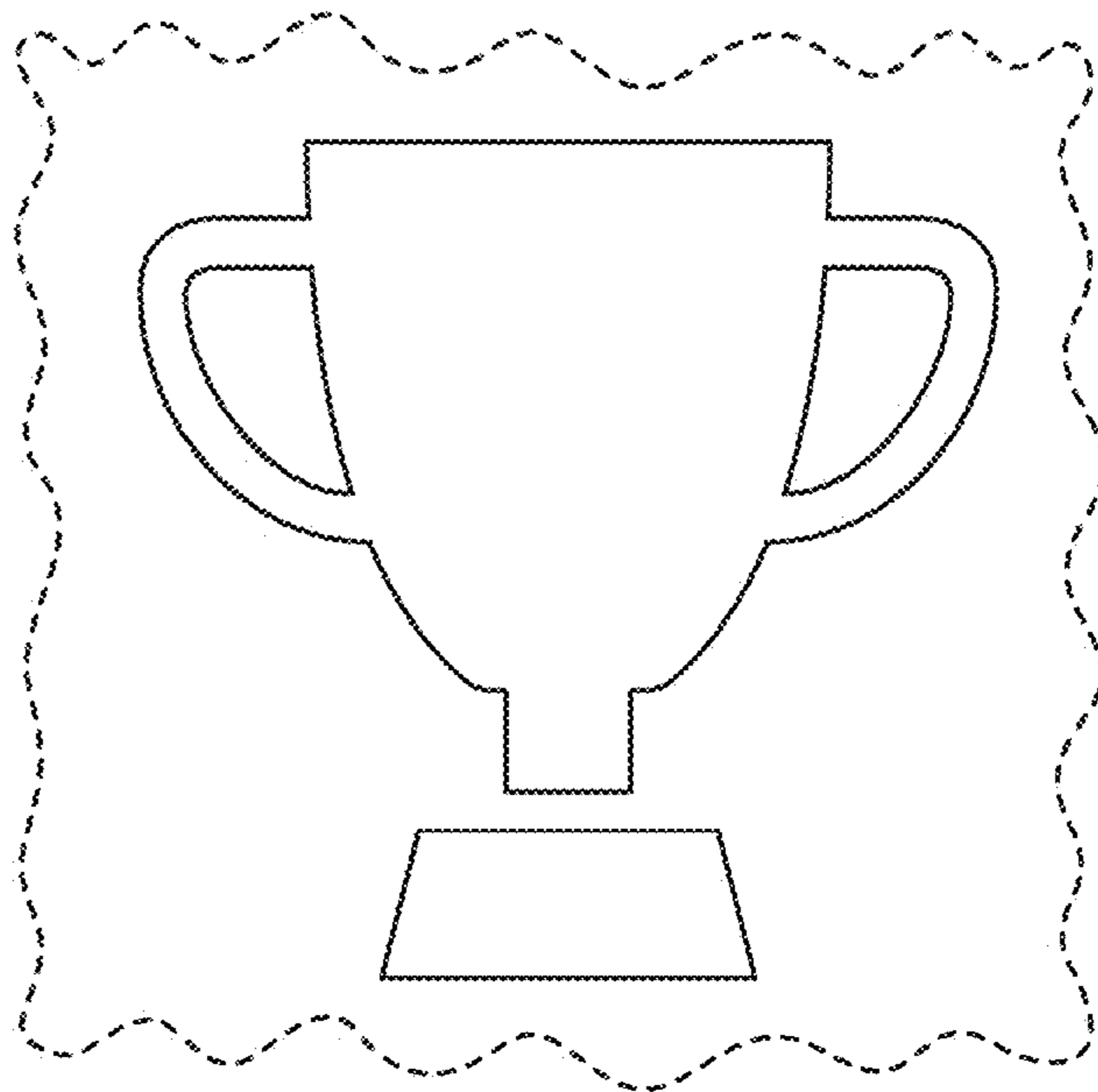


FIG. 1



FIG. 2

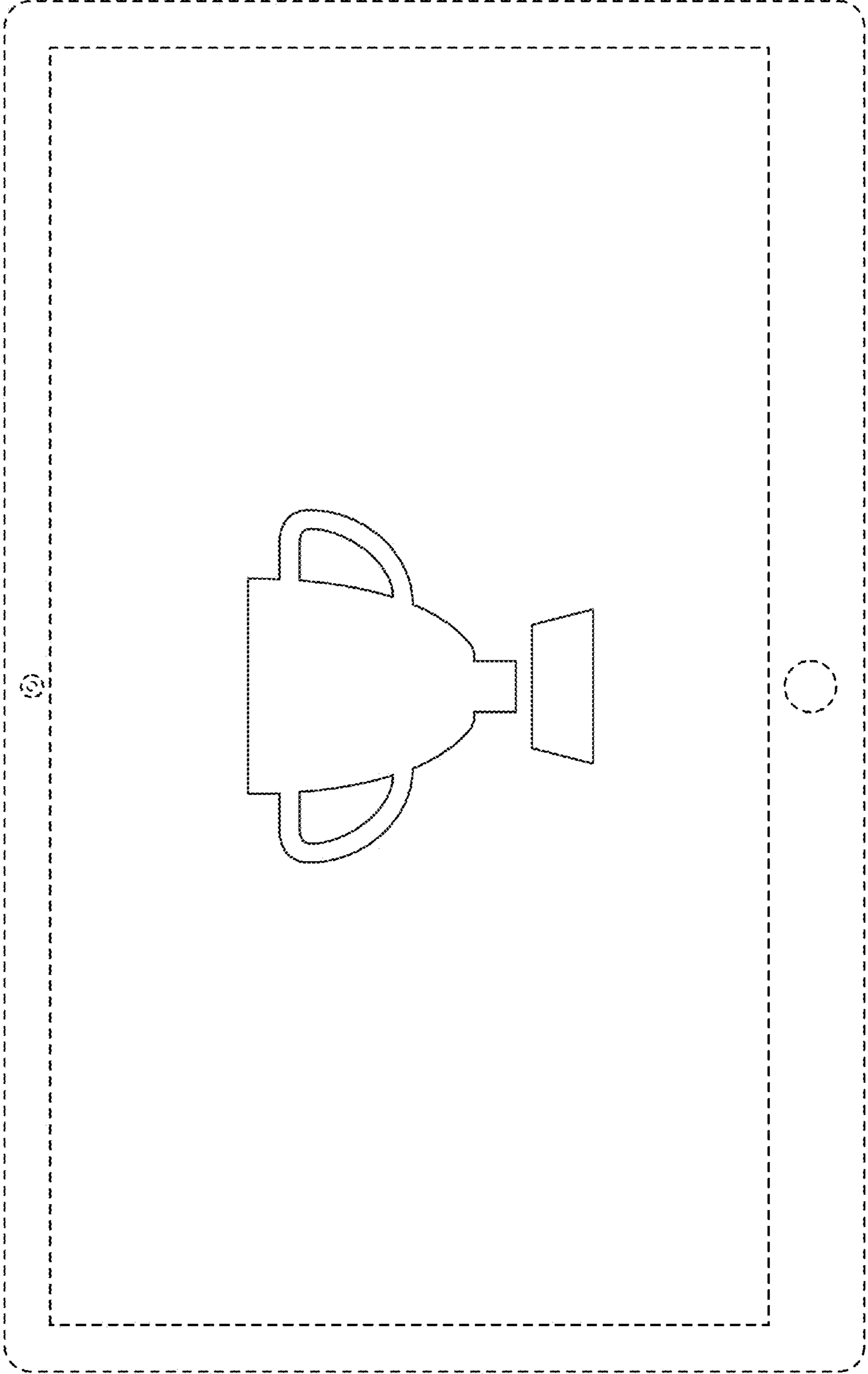


FIG. 3

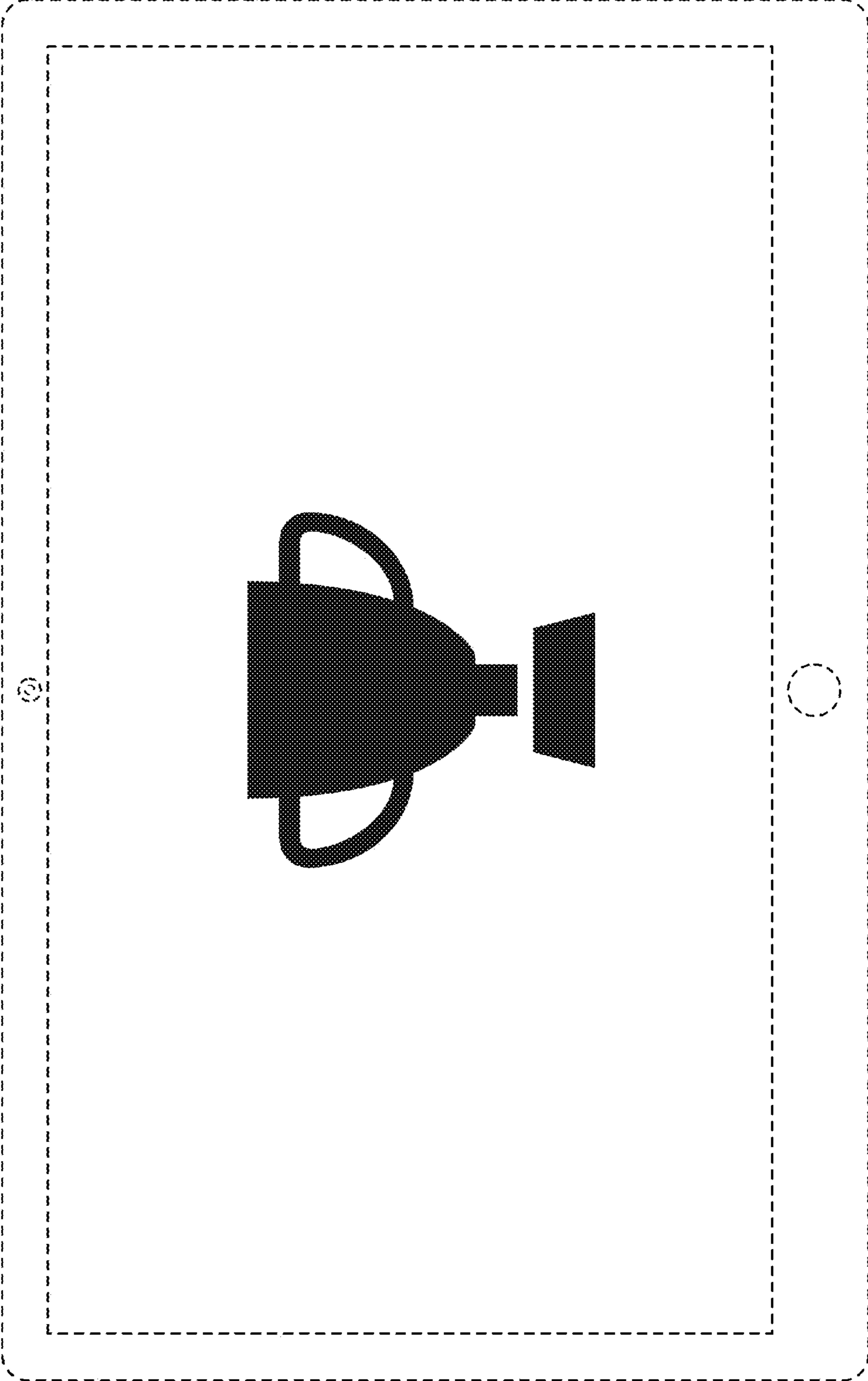


FIG. 4