



US00D692903S

(12) **United States Design Patent**  
**Lin et al.**

(10) **Patent No.:** **US D692,903 S**  
(45) **Date of Patent:** **\*\* Nov. 5, 2013**

(54) **DATA ACCESSING DEVICE**

(71) Applicant: **Kingston Digital, Inc.**, Fountain Valley, CA (US)

(72) Inventors: **Yi-Ting Lin**, Hsinchu (TW); **Hsi-Ming Tsai**, Hsinchu (TW); **Peter Leekuo Chou**, Fountain Valley, CA (US)

(73) Assignee: **Kingston Digital, Inc.**, Fountain Valley, CA (US)

(\*\*) Term: **14 Years**

(21) Appl. No.: **29/438,356**

(22) Filed: **Nov. 29, 2012**

(51) **LOC (9) Cl.** ..... **14-02**

(52) **U.S. Cl.**  
USPC ..... **D14/480.7**

(58) **Field of Classification Search**  
USPC ..... D14/411, 433, 435.1, 436, 480.1–480.7, D14/484.1, 137, 155, 203.1–203.8, 240; D13/133, 154; 710/300, 301; 439/131, 439/135–147; 361/679.31, 679.33, 679.4, 361/752; 711/100, 115  
See application file for complete search history.

(56) **References Cited**

**U.S. PATENT DOCUMENTS**

6,456,500 B1 \* 9/2002 Chen ..... 361/752  
D581,413 S \* 11/2008 Kim ..... D14/480.7  
D587,266 S \* 2/2009 Deguchi ..... D14/480.7  
7,686,629 B1 \* 3/2010 Yu et al. .... 439/136  
D620,017 S \* 7/2010 Lo ..... D14/480.7  
D629,409 S \* 12/2010 Lo ..... D14/480.7  
D631,057 S \* 1/2011 Kuo ..... D14/480.7

D631,885 S \* 2/2011 Maier ..... D14/435.1  
7,990,698 B2 \* 8/2011 Lo ..... 361/679.4  
D660,859 S \* 5/2012 Lin et al. .... D14/480.7  
D669,904 S \* 10/2012 Ni et al. .... D14/480.7  
D673,576 S \* 1/2013 Lin et al. .... D14/480.7  
2012/0026661 A1 \* 2/2012 Ni et al. .... 361/679.4

\* cited by examiner

*Primary Examiner* — Karen E Kearney

(74) *Attorney, Agent, or Firm* — Morris Manning & Martin LLP; Tim Tingkang Xia, Esq.

(57) **CLAIM**

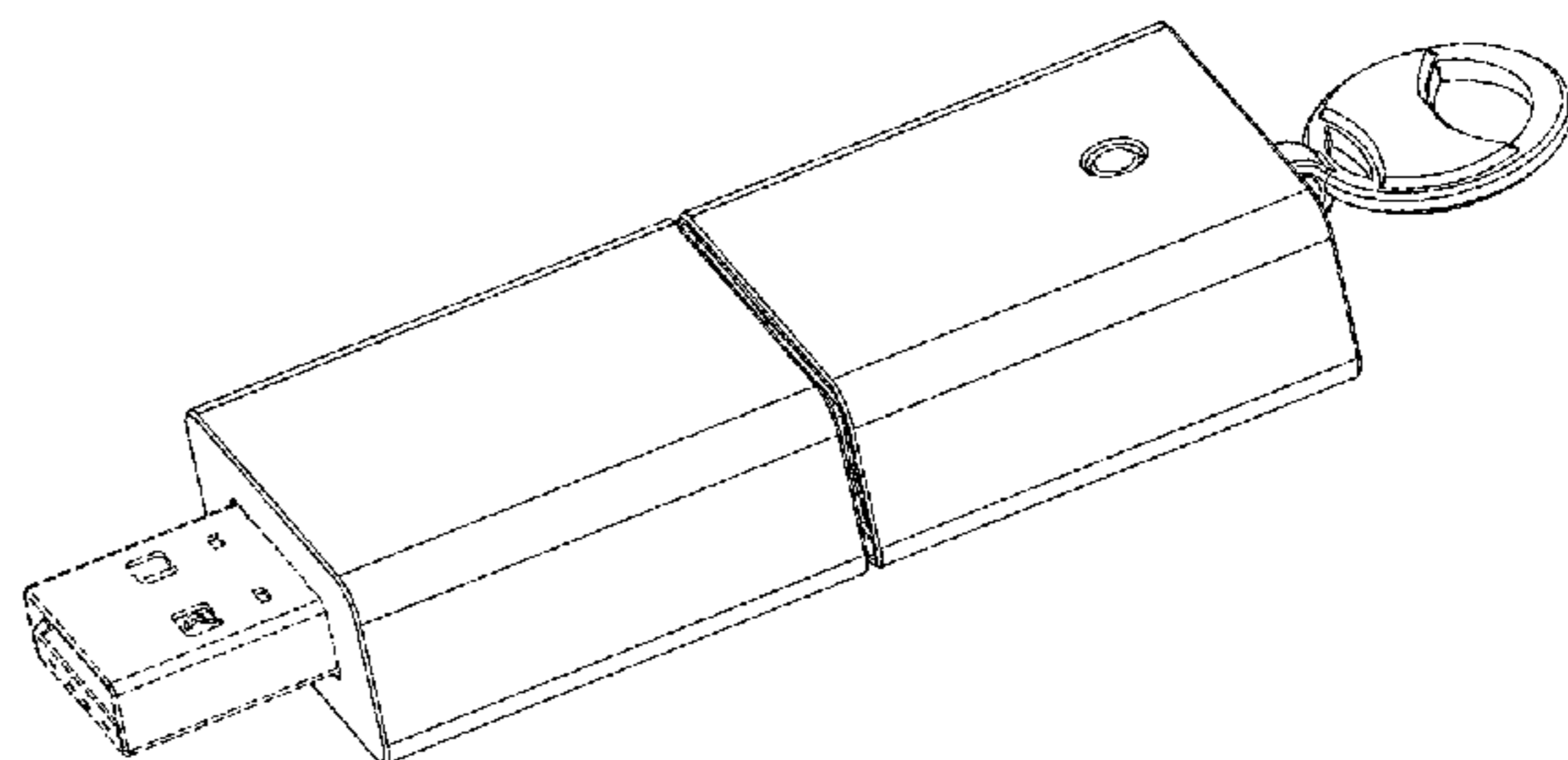
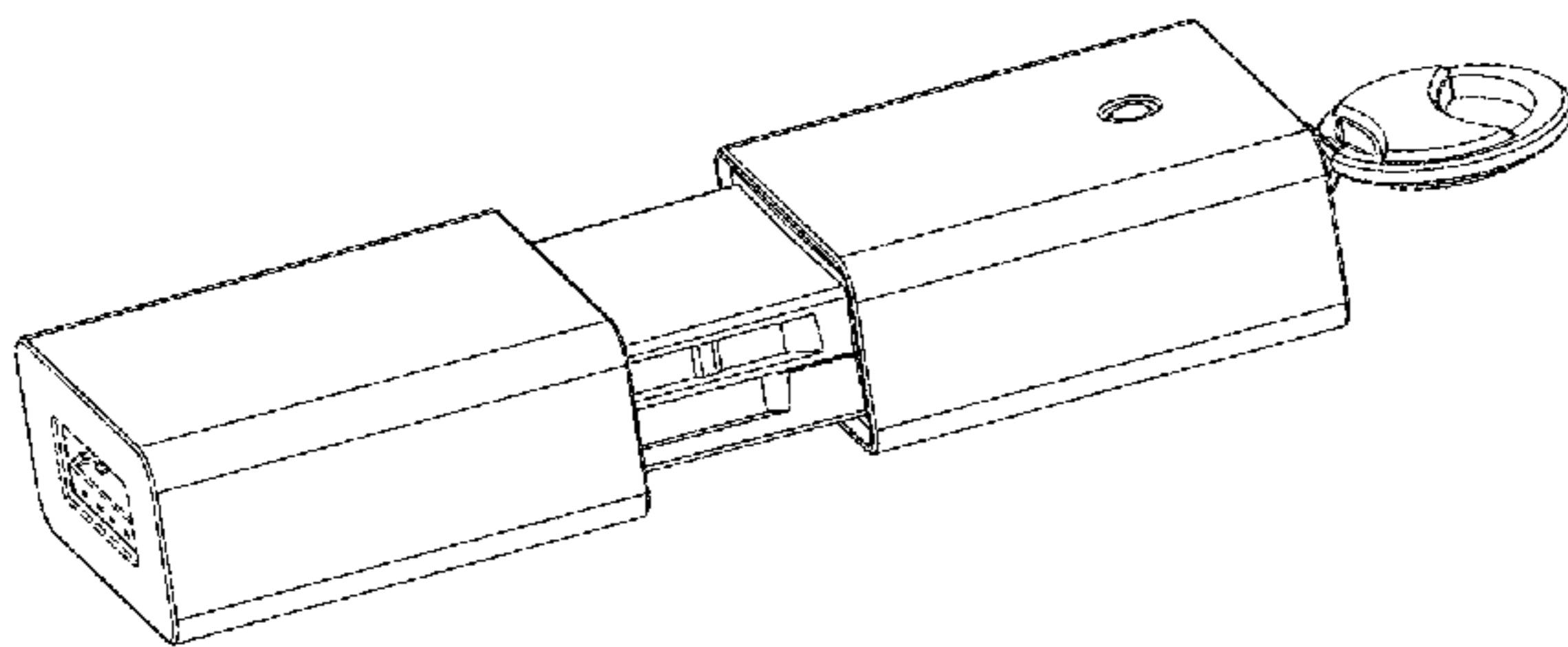
The ornamental design for a data accessing device, as shown and described.

**DESCRIPTION**

FIG. 1 is a perspective view of a data accessing device showing the claimed design;  
FIG. 2 is a front elevational view of FIG. 1;  
FIG. 3 is a rear elevational view of FIG. 1;  
FIG. 4 is a left side elevational view of FIG. 1;  
FIG. 5 is a right side elevational view of FIG. 1;  
FIG. 6 is a top plan view of FIG. 1;  
FIG. 7 is a bottom plan view of FIG. 1;  
FIG. 8 is another perspective view of the design of FIG. 1 showing the data accessing device in a usage state;  
FIG. 9 is a front elevational view of FIG. 8;  
FIG. 10 is a rear elevational view of FIG. 8;  
FIG. 11 is a left side elevational of FIG. 8;  
FIG. 12 is a right side elevational of FIG. 8;  
FIG. 13 is a top plan view of FIG. 8; and,  
FIG. 14 is a bottom plan view of FIG. 8.

The broken line showings of the connector are included for the purpose of illustrating portions of the data accessing device and form no part of the claimed design.

**1 Claim, 8 Drawing Sheets**



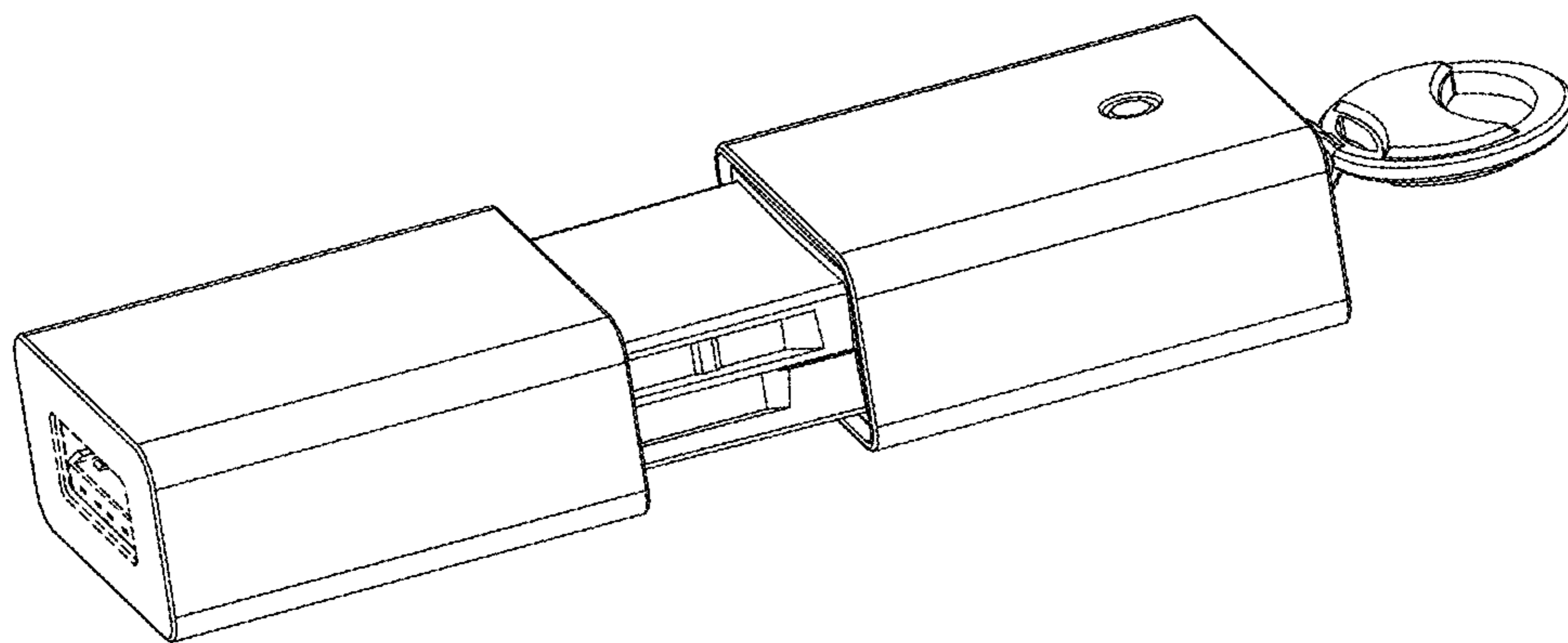


FIG. 1

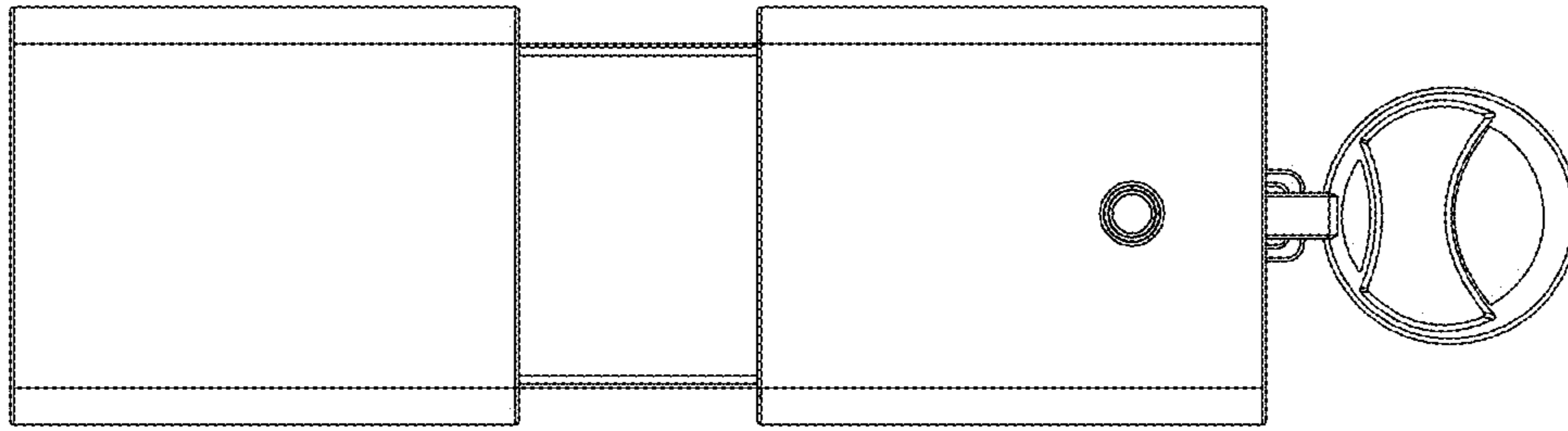


FIG. 2

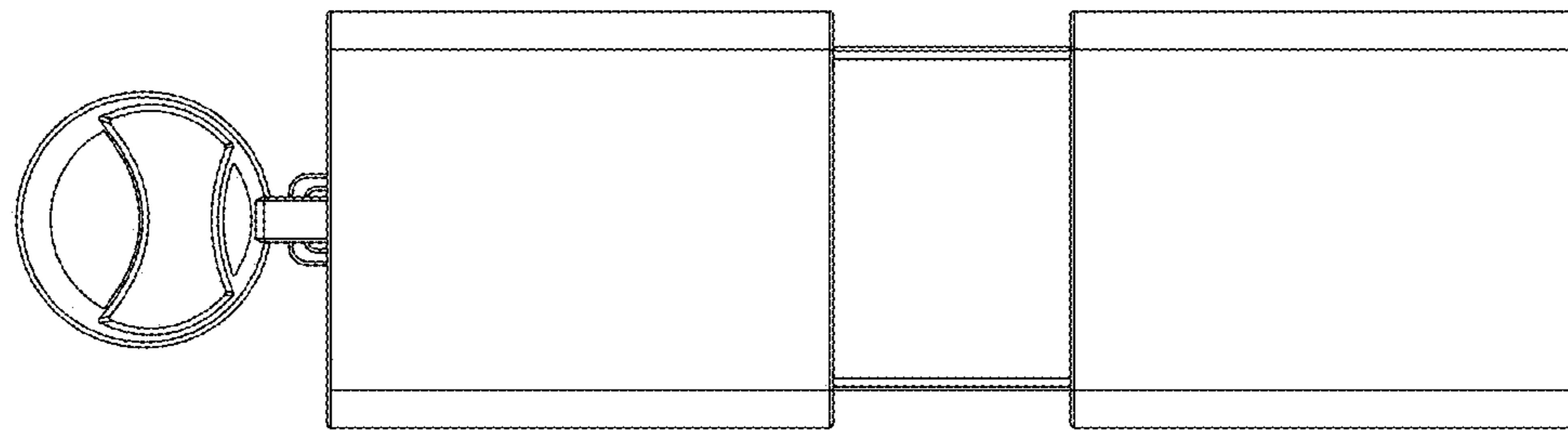


FIG. 3

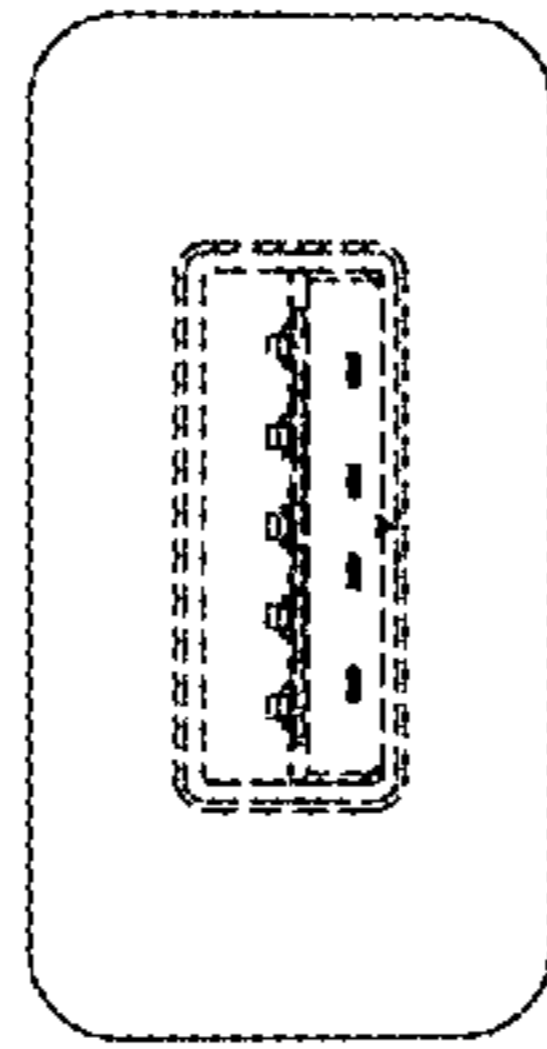


FIG. 4

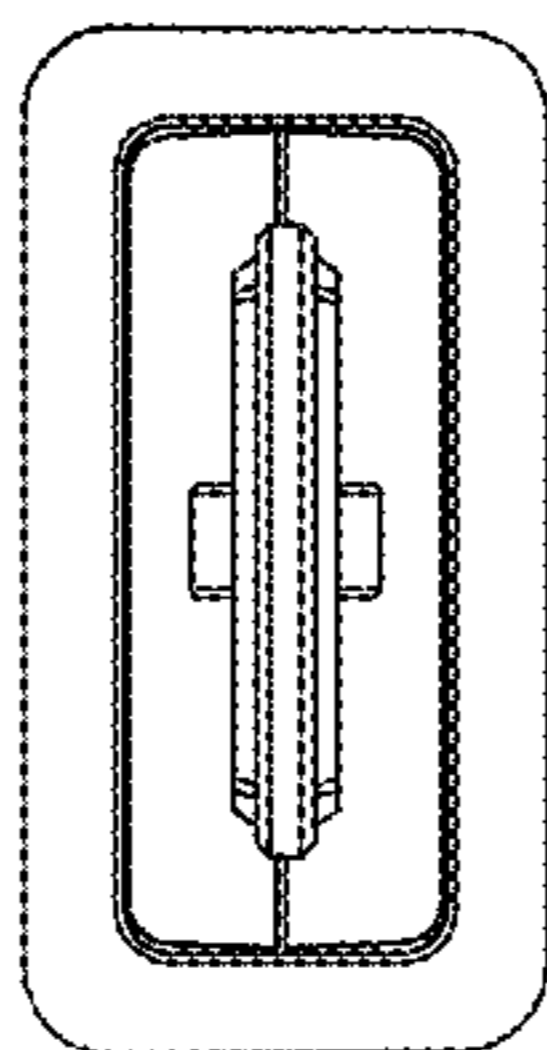


FIG. 5

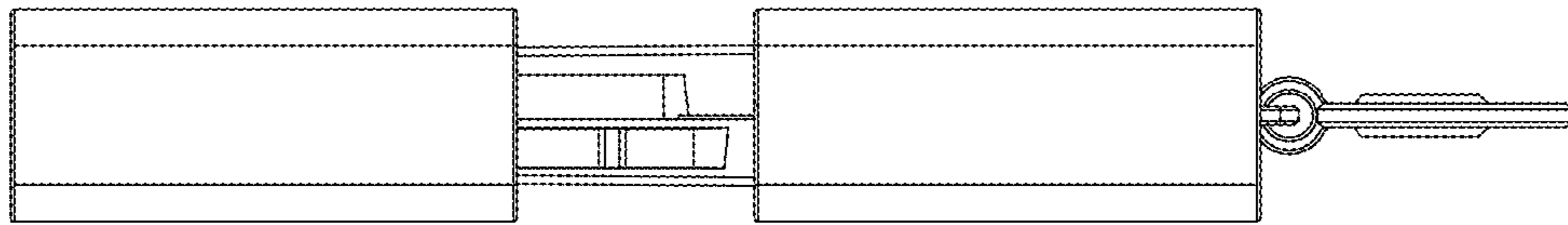


FIG. 6

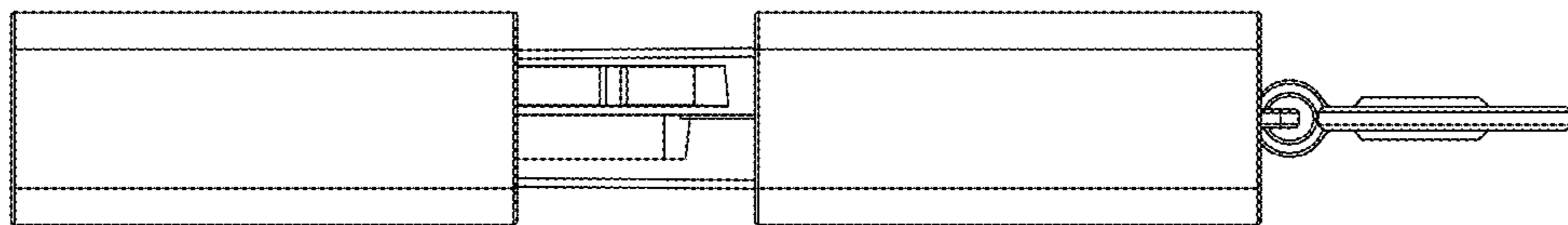


FIG. 7

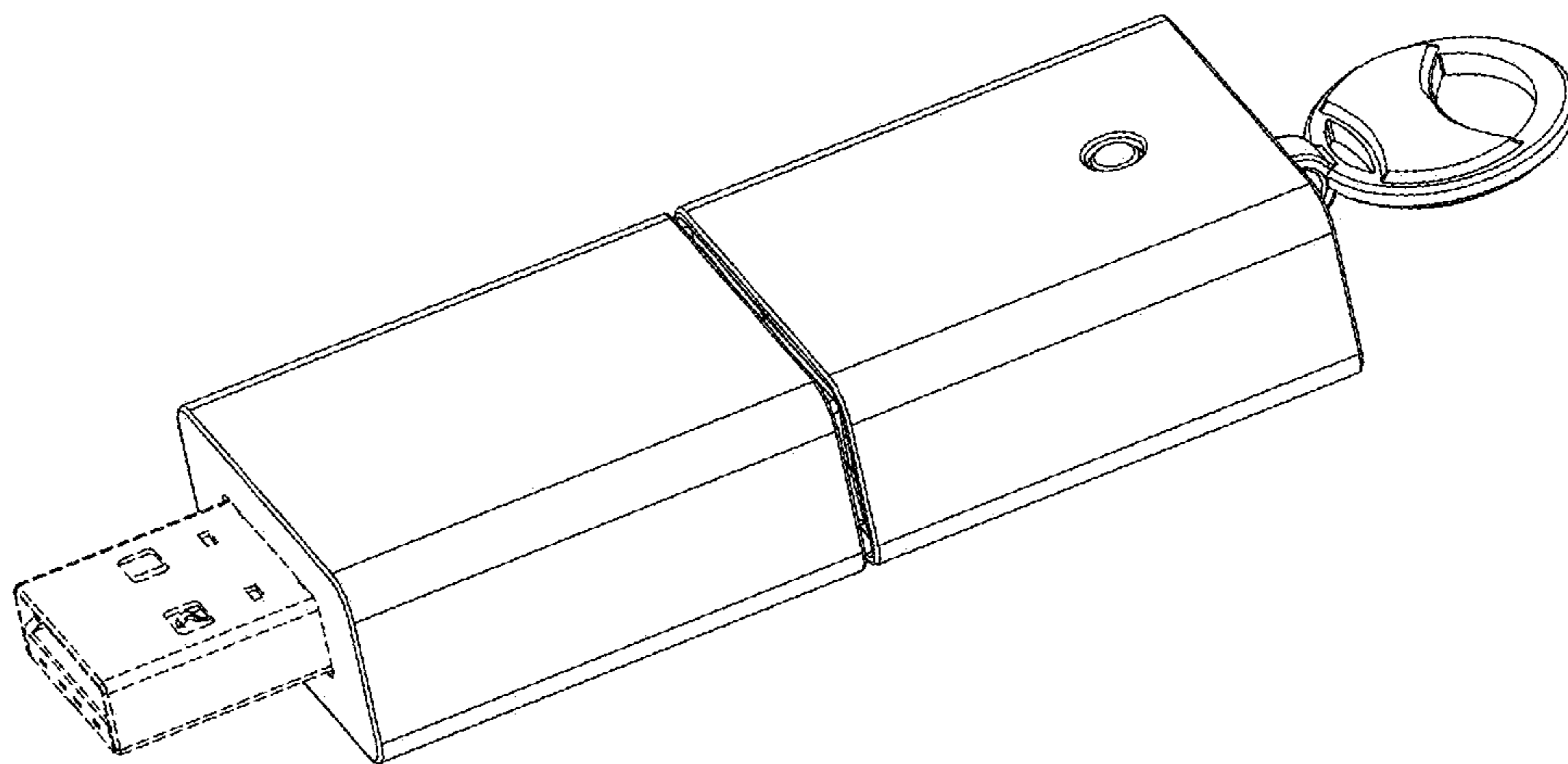


FIG.8

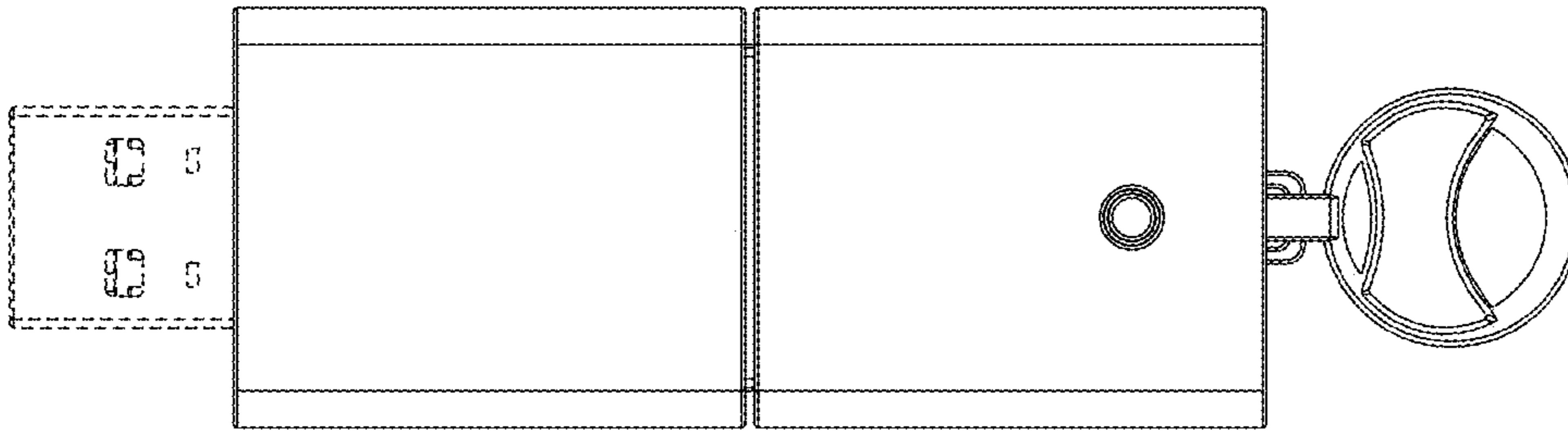


FIG. 9

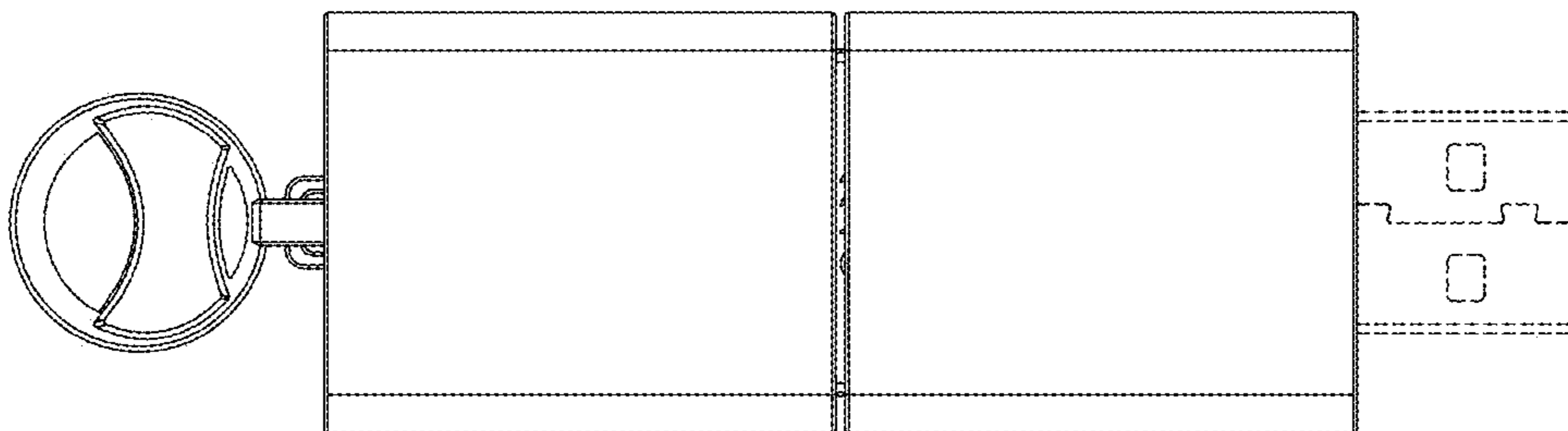


FIG. 10

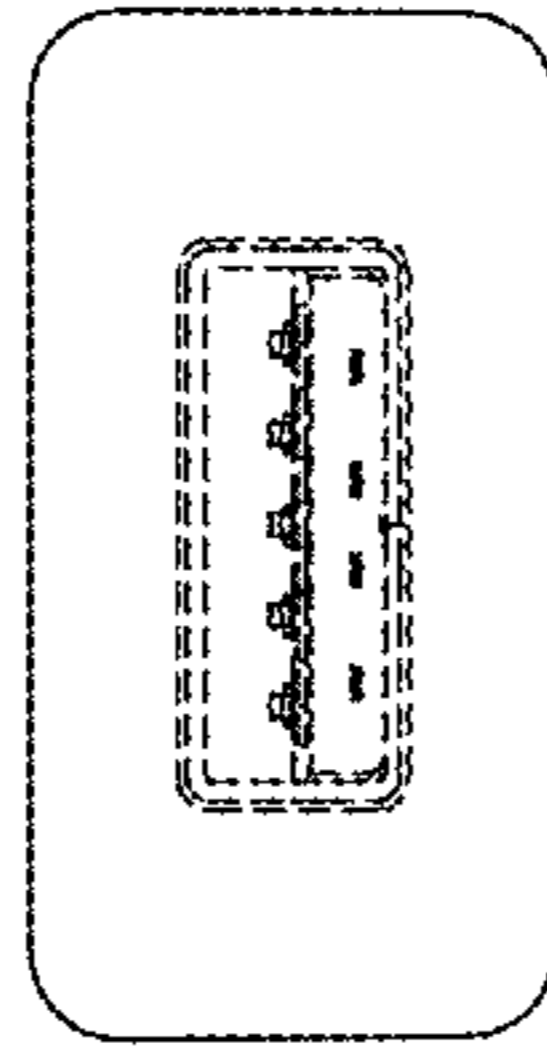


FIG. 11

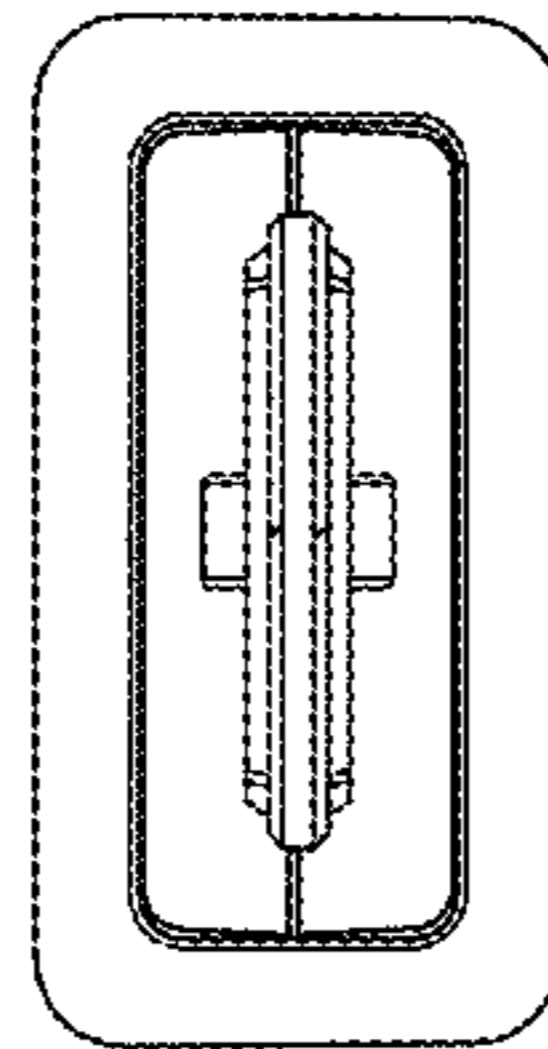


FIG. 12



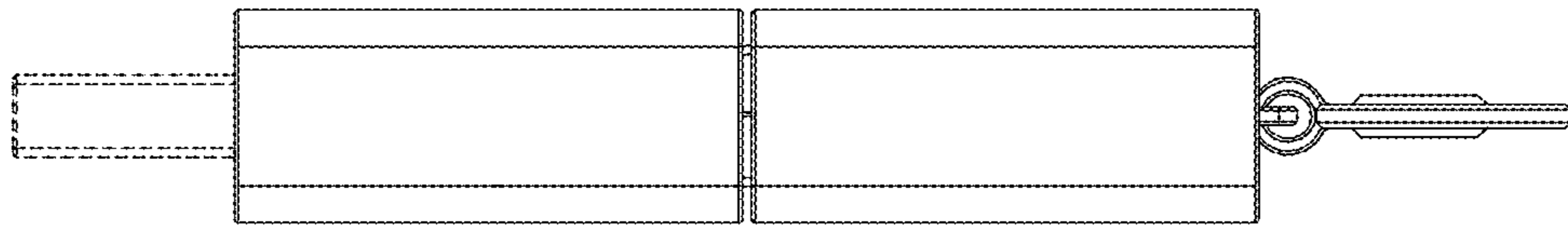


FIG. 13

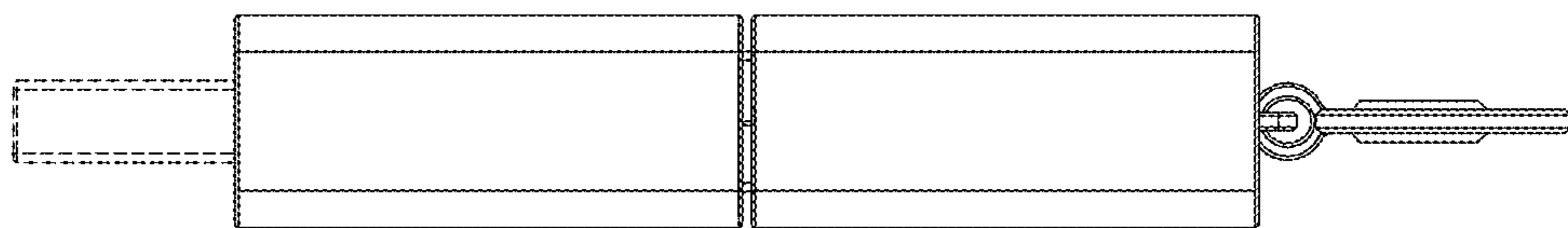


FIG. 14