



US00D692901S

(12) **United States Design Patent**
Chung et al.

(10) **Patent No.:** **US D692,901 S**
(45) **Date of Patent:** **** Nov. 5, 2013**

(54) **STAND FOR MONITOR**

(75) Inventors: **Yeon-Moo Chung**, Seoul (KR); **Jun-Pil Moon**, Seoul (KR)

(73) Assignee: **Samsung Electronics Co., Ltd.** (KR)

(**) Term: **14 Years**

(21) Appl. No.: **29/431,972**

(22) Filed: **Sep. 12, 2012**

(30) **Foreign Application Priority Data**

Jun. 26, 2012 (KR) 30-2012-0031066

(51) **LOC (9) Cl.** **08-07**

(52) **U.S. Cl.**
USPC **D14/451**

(58) **Field of Classification Search**

USPC D14/451, 452, 129, 209, 217, 224, 237,
D14/238, 239, 432, 439, 447, 448; D8/349,
D8/354, 355, 363, 373, 380; 248/176.1,
248/201, 205.1, 220.11, 284.1, 286.1,
248/309.1, 316.1, 323, 324, 349.1, 371,
248/398, 425, 917, 918, 919, 920, 921, 922,
248/923, 924, 121, 124.1, 127, 291.1, 313;
348/825, 827

See application file for complete search history.

(56) **References Cited**

U.S. PATENT DOCUMENTS

D415,768 S * 10/1999 Howell D14/451
D460,078 S * 7/2002 Li D14/452
D503,331 S * 3/2005 Sjoberg D8/363
6,918,564 B2 * 7/2005 Yen et al. 248/404
D574,386 S * 8/2008 Bailo D14/451

D574,698 S * 8/2008 Grey et al. D8/373
D595,298 S * 6/2009 Zonshine et al. D14/451
7,621,490 B2 * 11/2009 Tseng 248/157
7,762,518 B2 * 7/2010 Ogawa et al. 248/688
7,789,355 B2 * 9/2010 Gan et al. 248/157
7,810,773 B2 * 10/2010 Chi 248/278.1
D629,405 S * 12/2010 Crysell D14/447
D662,940 S * 7/2012 Magnusson D14/451
D674,398 S * 1/2013 Whittington D14/447
2007/0045488 A1 * 3/2007 Shin 248/176.1
2008/0210841 A1 * 9/2008 Tseng 248/422

* cited by examiner

Primary Examiner — Cynthia Ramirez

(74) *Attorney, Agent, or Firm* — Cantor Colburn LLP

(57) **CLAIM**

The ornamental design for a stand for monitor, as shown and described.

DESCRIPTION

FIG. 1 is a perspective view of stand for monitor, showing our new design;
FIG. 2 is a front elevational view thereof;
FIG. 3 is a rear elevational view thereof;
FIG. 4 is a left side elevational view thereof;
FIG. 5 is a right side elevational view thereof;
FIG. 6 is a top plan view thereof;
FIG. 7 is a bottom plan view thereof; and,
FIG. 8 is a right side elevation reference view thereof in an alternative position, wherein the broken lines showing the stand for monitor with a monitor in an alternative position are for illustrative purposes only and form no part of the claimed design.

The broken-line disclosure in the views is to show environment and form no art of the claimed design.

1 Claim, 8 Drawing Sheets

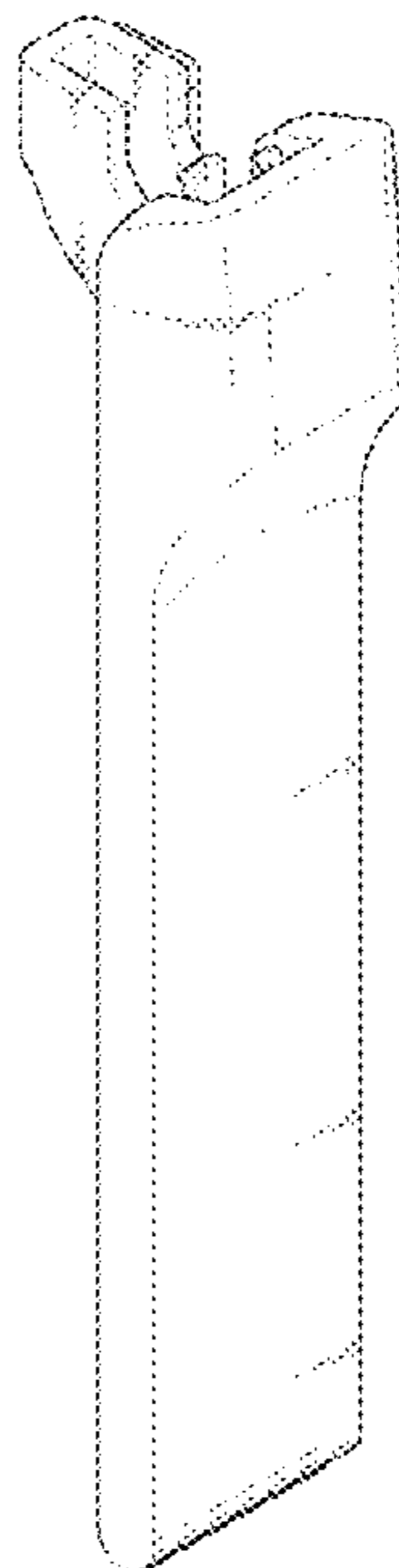


FIG. 1

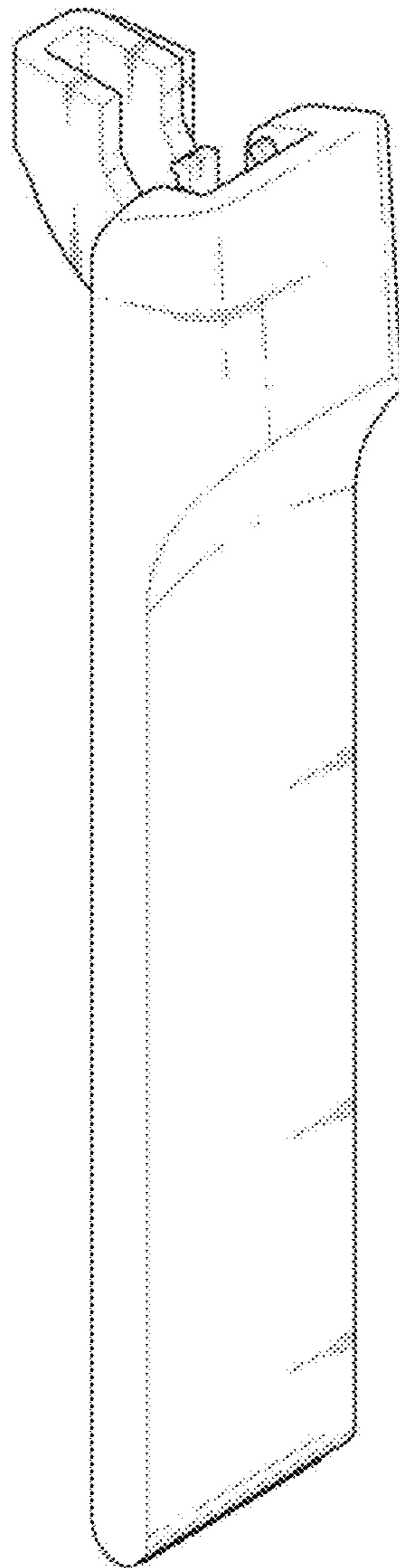


FIG. 2

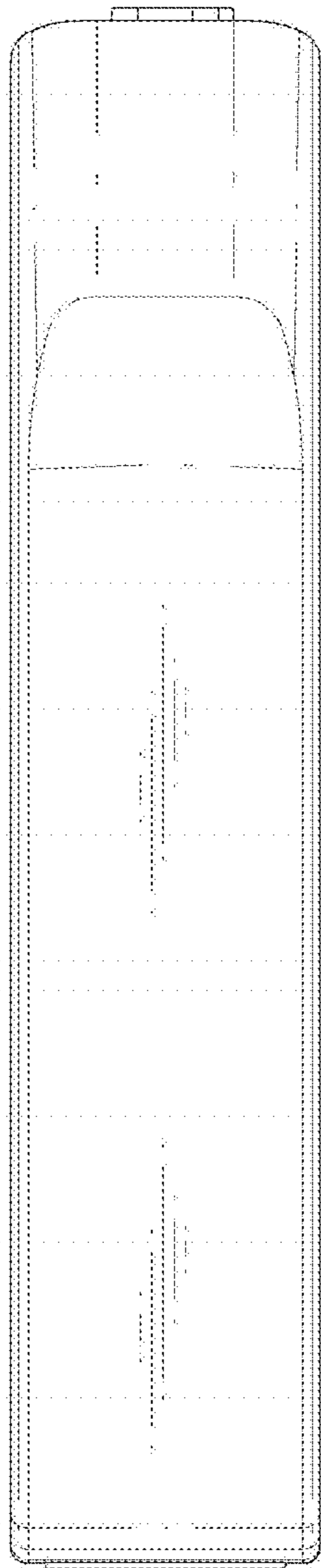


FIG. 3

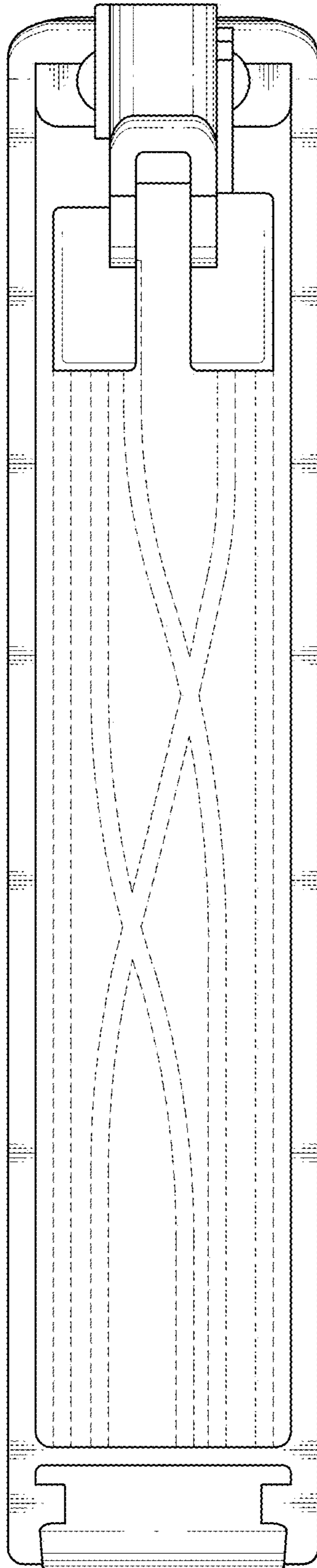


FIG. 4

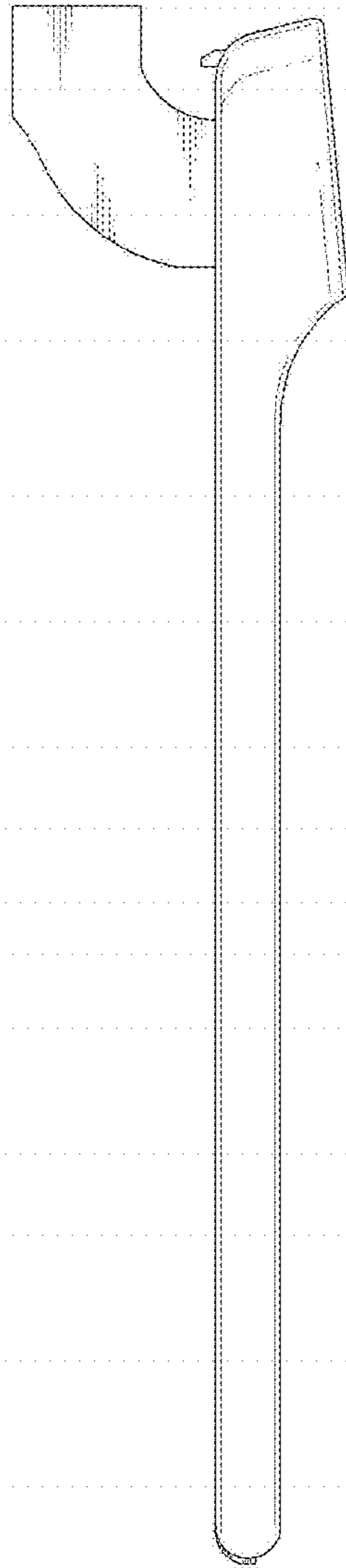


FIG. 5

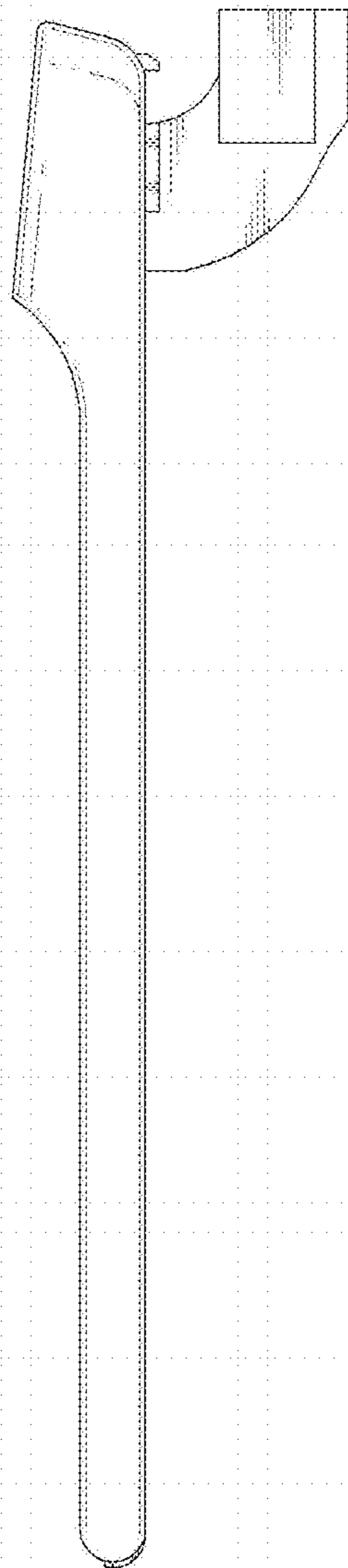


FIG. 6

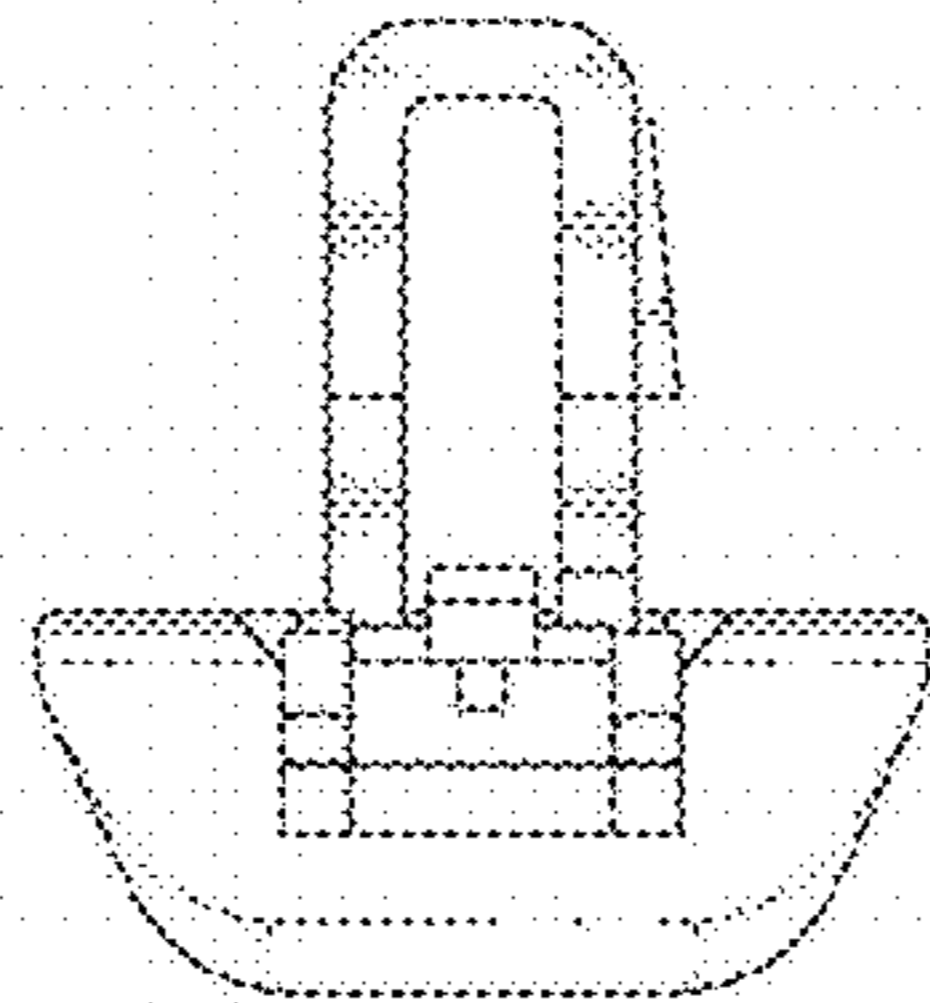


FIG. 7

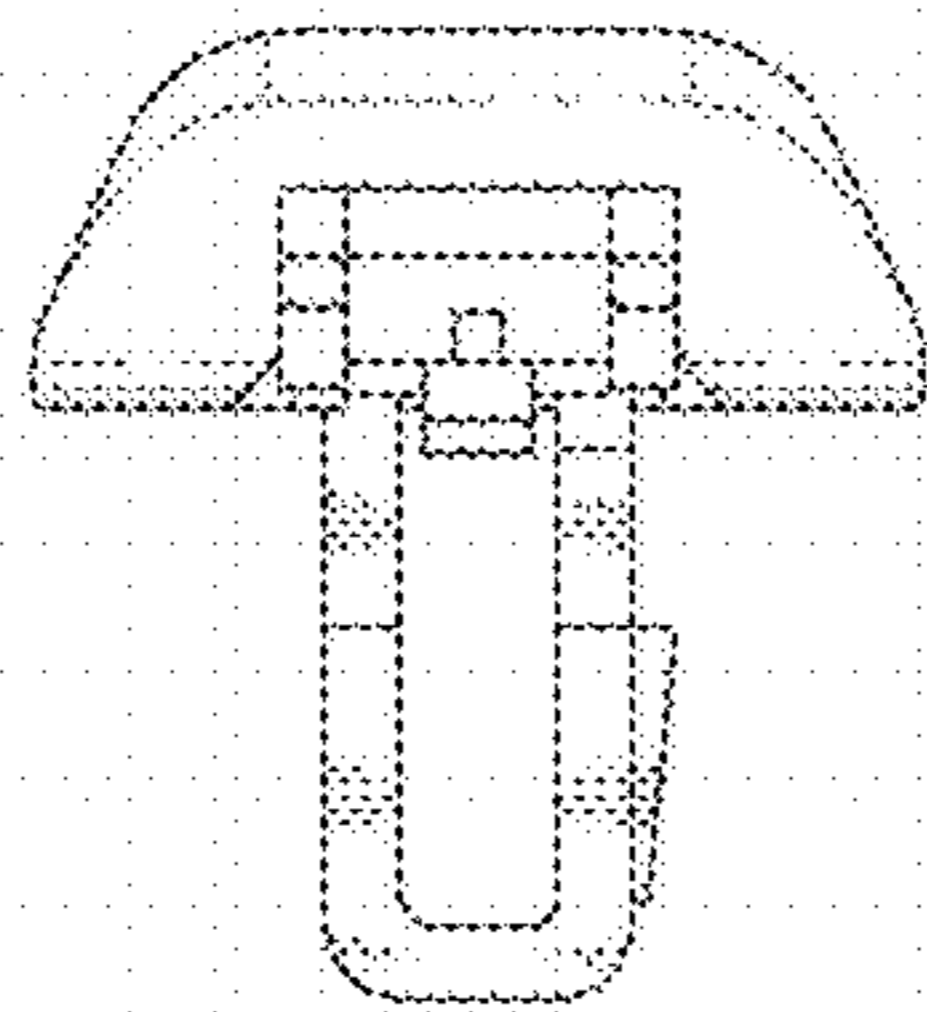


FIG. 8

