



US00D692900S

(12) **United States Design Patent**
Kovacs

(10) **Patent No.:** **US D692,900 S**

(45) **Date of Patent:** **** Nov. 5, 2013**

(54) **DEVICE MOUNTING STAND**

(56) **References Cited**

(71) Applicant: **iOmounts LLC**, Basalt, CO (US)

U.S. PATENT DOCUMENTS

(72) Inventor: **Tamas Kovacs**, Basalt, CO (US)

D591,756	S	*	5/2009	Wohlford et al.	D14/452
D625,302	S	*	10/2010	Kasuga et al.	D14/239
D628,143	S	*	11/2010	Riddiford	D12/415
8,081,432	B2	*	12/2011	Li et al.	361/679.06
D657,783	S	*	4/2012	Mo	D14/251
8,238,086	B2	*	8/2012	Ou	361/679.21
D671,110	S	*	11/2012	Choi	D14/253
D672,782	S	*	12/2012	Gross	D14/447
2001/0035479	A1	*	11/2001	Roebuck	248/125.1
2008/0017764	A1	*	1/2008	Nan	248/133
2009/0146033	A1	*	6/2009	Chiang	248/284.1
2012/0252543	A1	*	10/2012	Cho	455/575.8
2013/0078855	A1	*	3/2013	Hornick et al.	439/571

(73) Assignee: **iOmounts LLC**, Basalt, CO (US)

(**) Term: **14 Years**

(21) Appl. No.: **29/451,768**

(22) Filed: **Apr. 8, 2013**

* cited by examiner

Related U.S. Application Data

(63) Continuation of application No. 13/595,926, filed on Aug. 27, 2012.

Primary Examiner — Angela J Lee

(74) *Attorney, Agent, or Firm* — Marsh Fischmann & Breyfogle LLP

(51) **LOC (9) Cl.** **08-07**

(57) **CLAIM**

The ornamental design for a device mounting stand, as shown and described.

(52) **U.S. Cl.**

USPC **D14/447**

DESCRIPTION

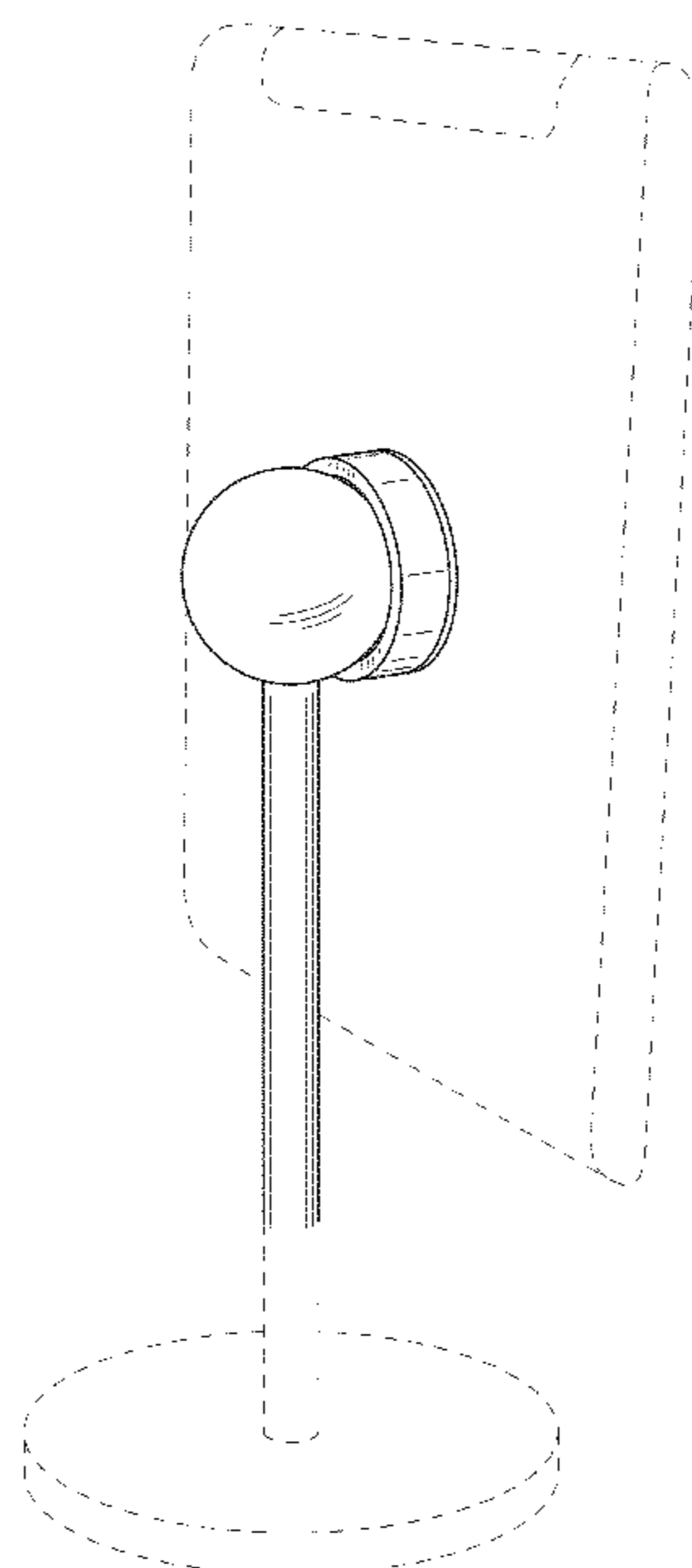
(58) **Field of Classification Search**

USPC D14/447, 432, 433, 439, 440, 451, 452, D14/239, 217, 224.1, 251, 252, 253, 457, D14/458, 459, 460, 461, 434, 205, 209.1, D14/223; D6/406.1, 406.2, 406.3, 406.4, D6/406.5, 406.6; D12/415; 361/679.09, 361/679.21, 679.22, 679.24, 679.26, 361/679.27, 679.28, 679.3, 679.55, 679.56, 361/709; 248/917-924, 133, 136, 139, 150, 248/176.1, 188.6; D13/108, 110; D8/363; D21/333

FIG. 1 is a perspective view of a device mounting stand showing a supported device in environment;
FIG. 2 is another perspective view of the device mounting stand of FIG. 1;
FIG. 3 is a left side view of the device mounting stand of FIG. 1;
FIG. 4 is a right side view of the device mounting stand of FIG. 1;
FIG. 5 is a front view of the device mounting stand of FIG. 1; and,
FIG. 6 is a rear view of the device mounting stand of FIG. 1. The broken lines in the drawing indicate environmental structure and form no part of the design to be patented.

See application file for complete search history.

1 Claim, 4 Drawing Sheets



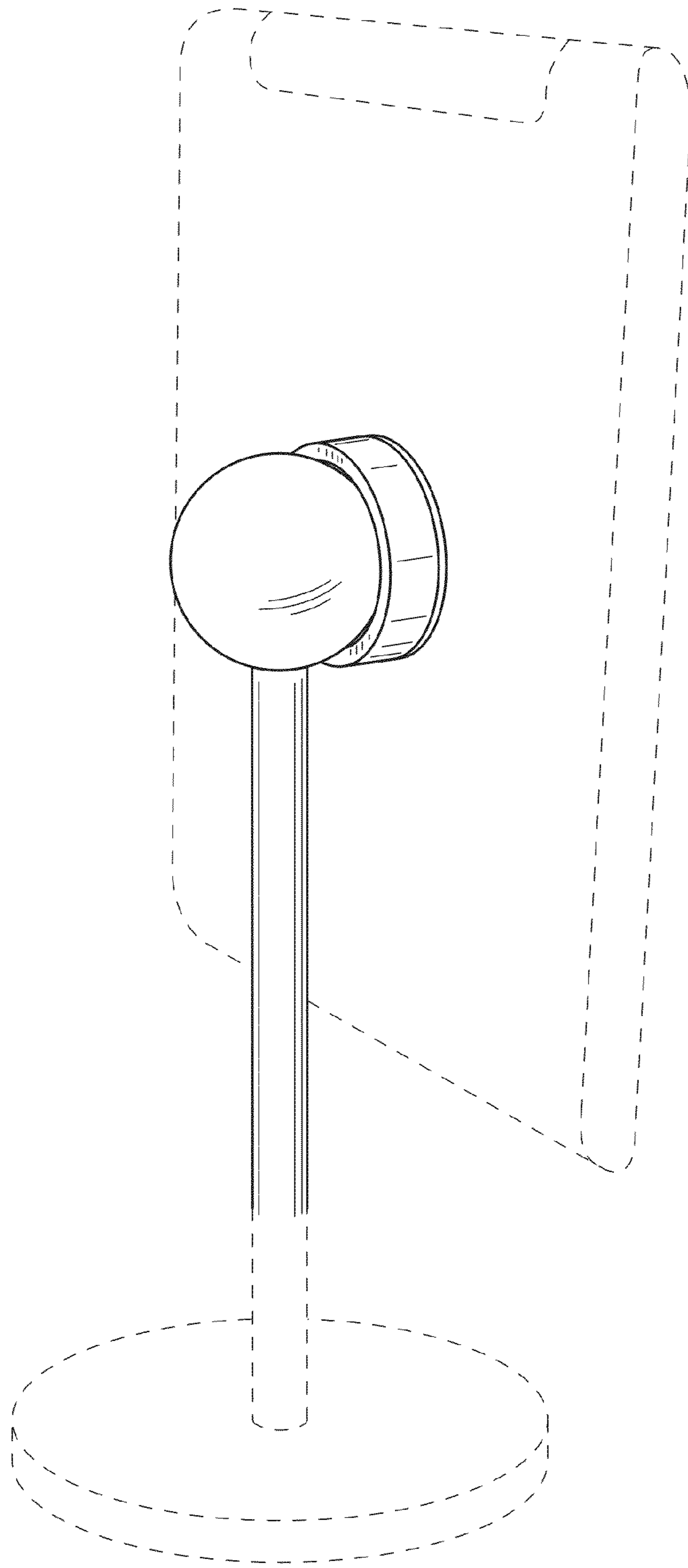


FIG.1

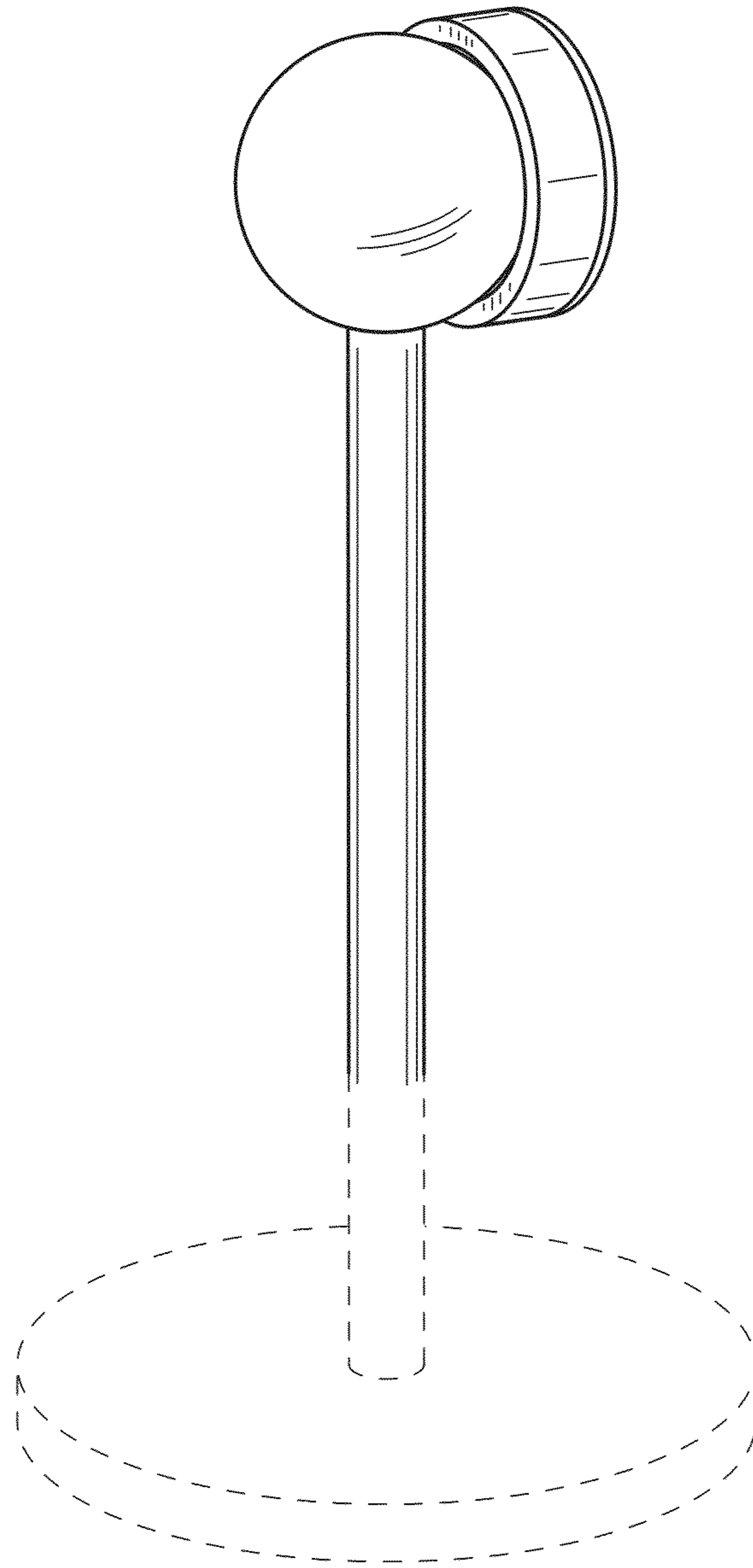


FIG.2

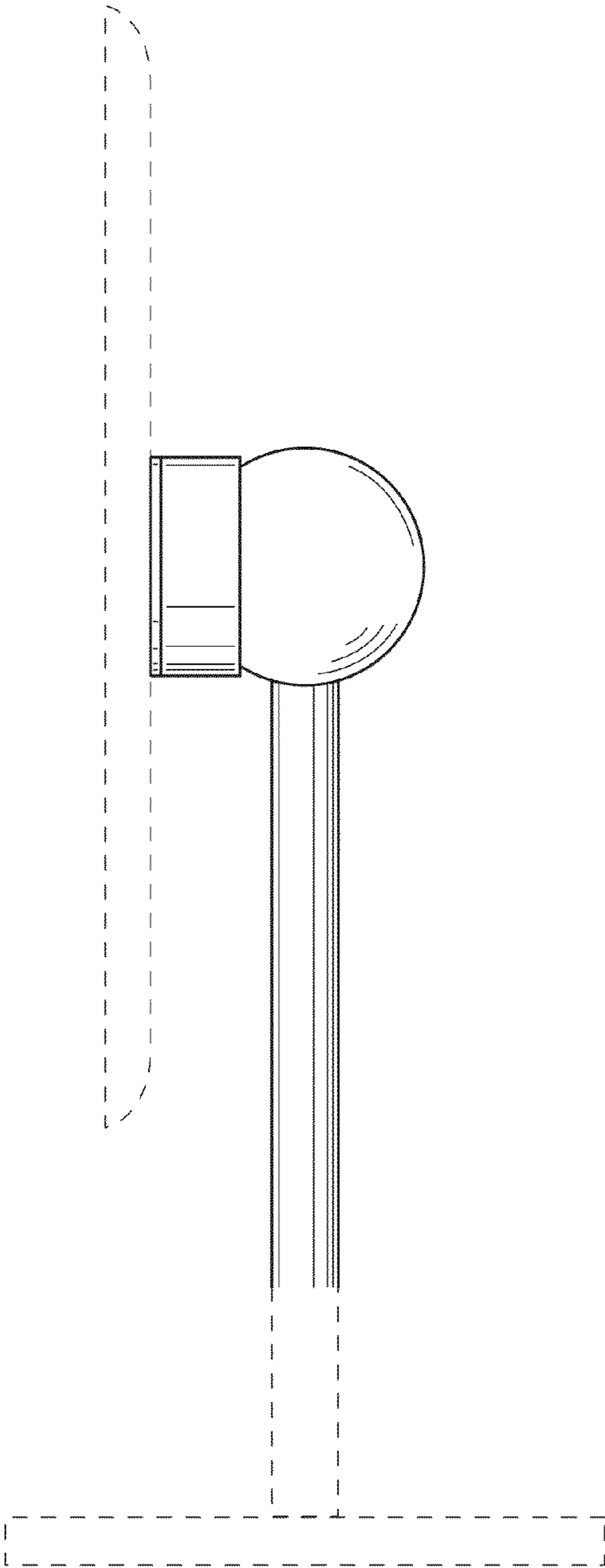


FIG.3

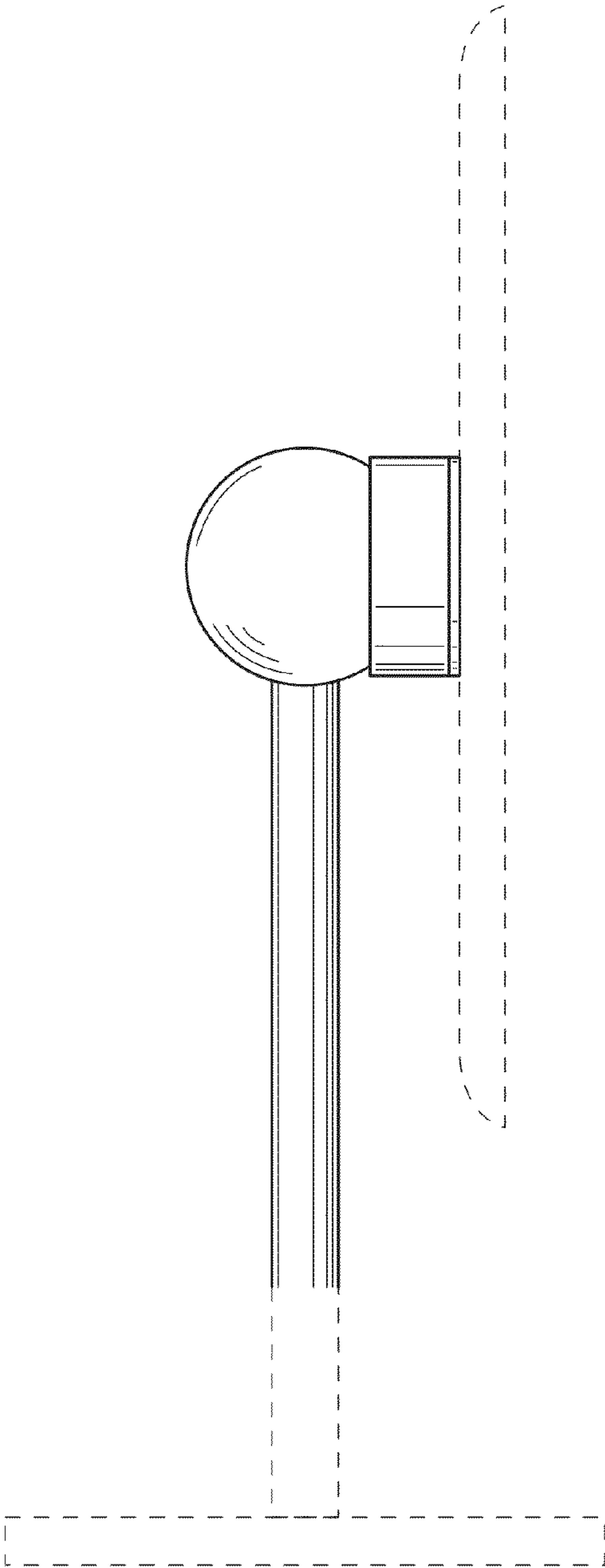


FIG.4

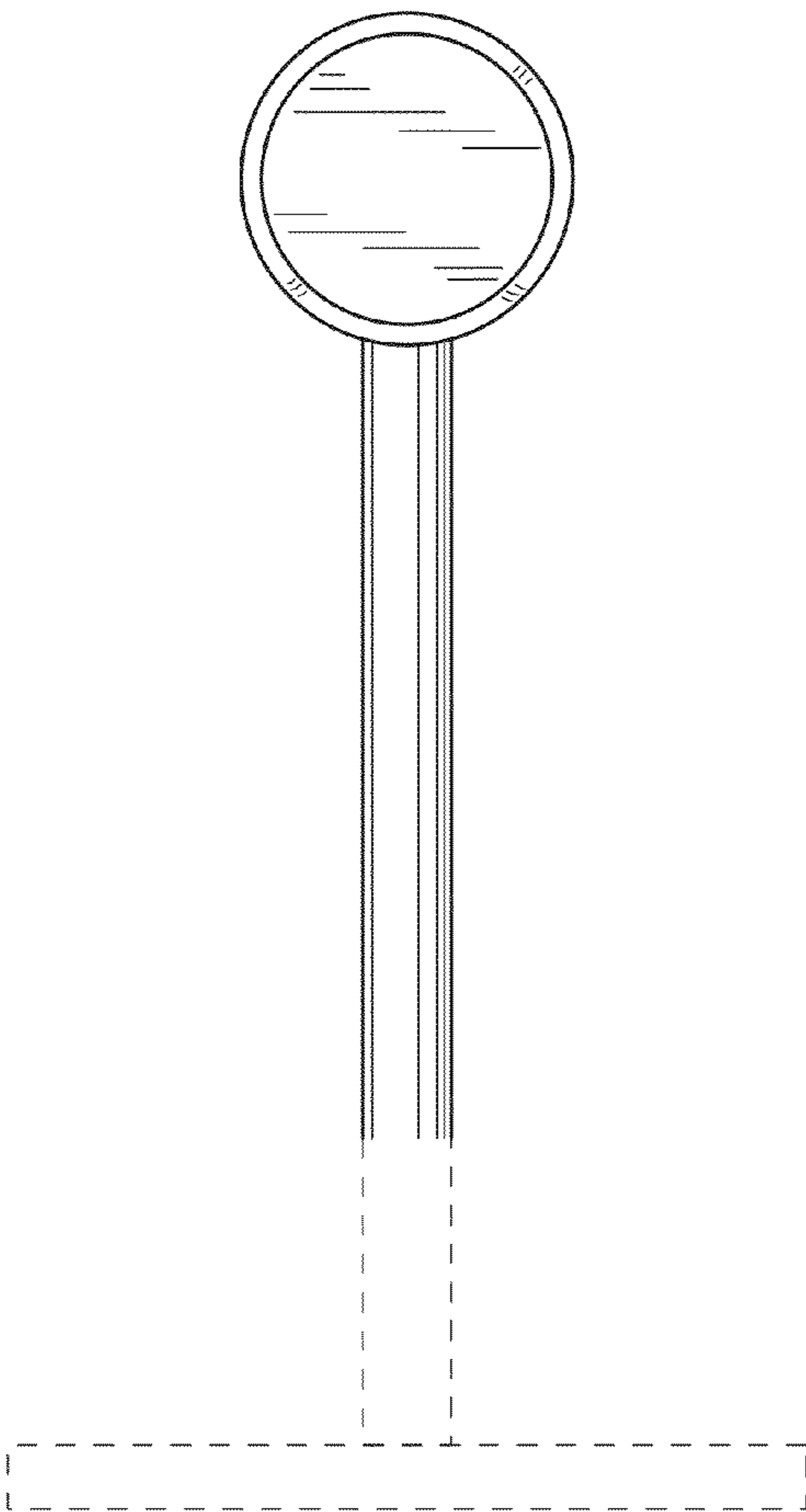


FIG.5

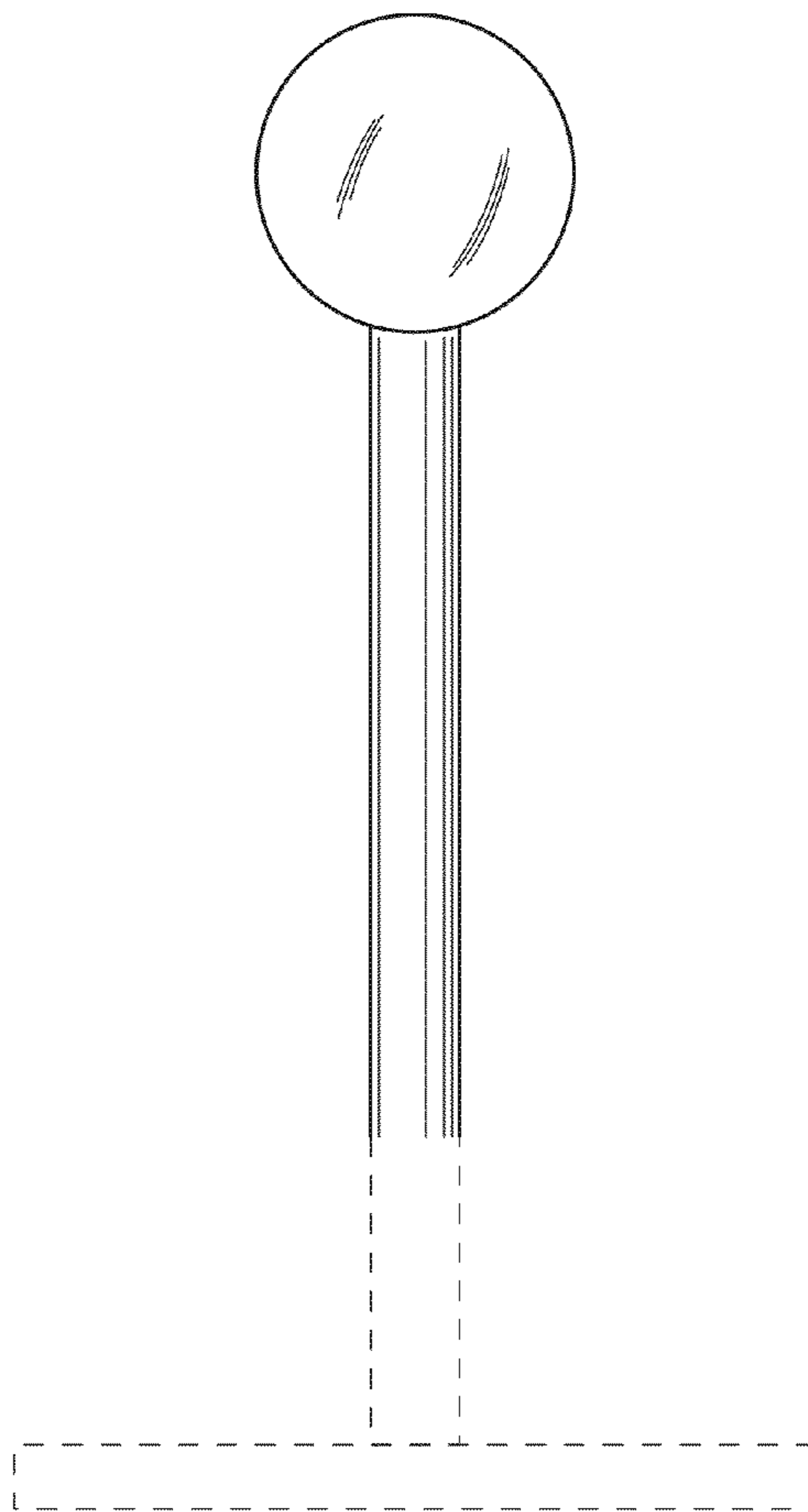


FIG.6