



US00D692898S

(12) **United States Design Patent**
Luijben

(10) **Patent No.:** **US D692,898 S**

(45) **Date of Patent:** **** Nov. 5, 2013**

(54) **CIRCULAR WALL MOUNT**

(75) Inventor: **Stefan Arthur Luijben**, Helmond (NL)

(73) Assignee: **Vogel's Holding B.V.** (NL)

(**) Term: **14 Years**

(21) Appl. No.: **29/380,617**

(22) Filed: **Dec. 8, 2010**

(30) **Foreign Application Priority Data**

Aug. 18, 2010 (EM) 001744822

(51) **LOC (9) Cl.** **08-07**

(52) **U.S. Cl.**
USPC **D14/447**

(58) **Field of Classification Search**
USPC D14/447, 432, 433, 434, 439, 440, 451,
D14/452, 457, 239, 251, 253, 217, 374, 375,
D14/376, 377, 902, 216, 209.1, 204;
D12/415, 416; D3/218, 274, 318, 321,
D3/328; D6/406.3, 406.4; 190/117;
361/679.03, 679.09, 679.05, 679.26,
361/679.3, 679.55, 679.56, 679.27;
248/176.1, 917, 918, 919, 920, 921,
248/922, 923, 924, 682, 689, 690, 691, 692,
248/441.1, 444, 447, 451, 460, 463, 118,
248/118.5, 149, 150, 166, 434, 177.1;
D10/113.4; D16/242, 244, 245;
108/42, 152; 224/275

See application file for complete search history.

(56) **References Cited**

U.S. PATENT DOCUMENTS

D296,212 S * 6/1988 Arney D14/457
D559,657 S * 1/2008 Wohlford et al. D8/354

D560,669 S * 1/2008 Muday et al. D14/451
D579,759 S * 11/2008 Strait et al. D8/349
D619,079 S * 7/2010 Bailo D12/416
D620,884 S * 8/2010 Lee et al. D13/108
D631,481 S * 1/2011 Floersch et al. D14/451
D637,586 S * 5/2011 Lee D14/239
D640,248 S * 6/2011 Baumann et al. D14/253
D657,364 S * 4/2012 Norman D14/451
2012/0018471 A1 * 1/2012 Guillermo et al. 224/275
2012/0024920 A1 * 2/2012 Grolle et al. 224/275
2012/0068043 A1 * 3/2012 Daigle et al. 248/682
2012/0075799 A1 * 3/2012 Pollex 361/679.56

* cited by examiner

Primary Examiner — Angela J Lee

(74) *Attorney, Agent, or Firm* — Miller & Martin PLLC

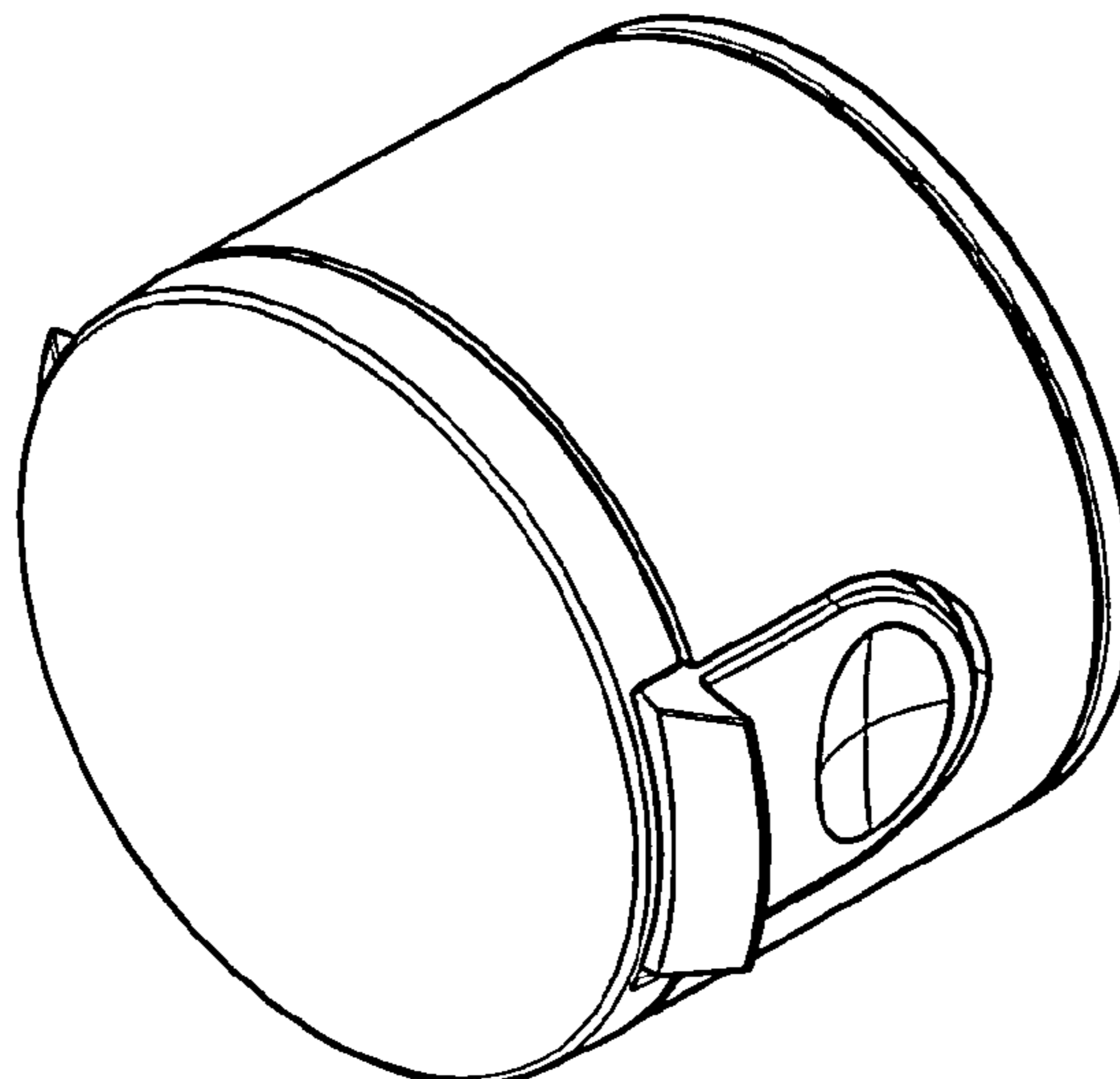
(57) **CLAIM**

The ornamental design for the circular wall mount, as shown and described.

DESCRIPTION

FIG. 1 is a top front perspective view of the circular wall mount;
FIG. 2 is a front elevation view of the circular wall mount shown in FIG. 1;
FIG. 3 is a top plan view of the circular wall mount shown in FIG. 1, the bottom plan view being a mirror image thereof;
FIG. 4 is a right side elevation view of the circular wall mount shown in FIG. 1, the left side elevation view being a mirror image thereof; and,
FIG. 5 is a back elevation view of the circular wall mount shown in FIG. 1.
The broken lines in FIGS. 3-5 depict unclaimed environmental subject matter.

1 Claim, 1 Drawing Sheet



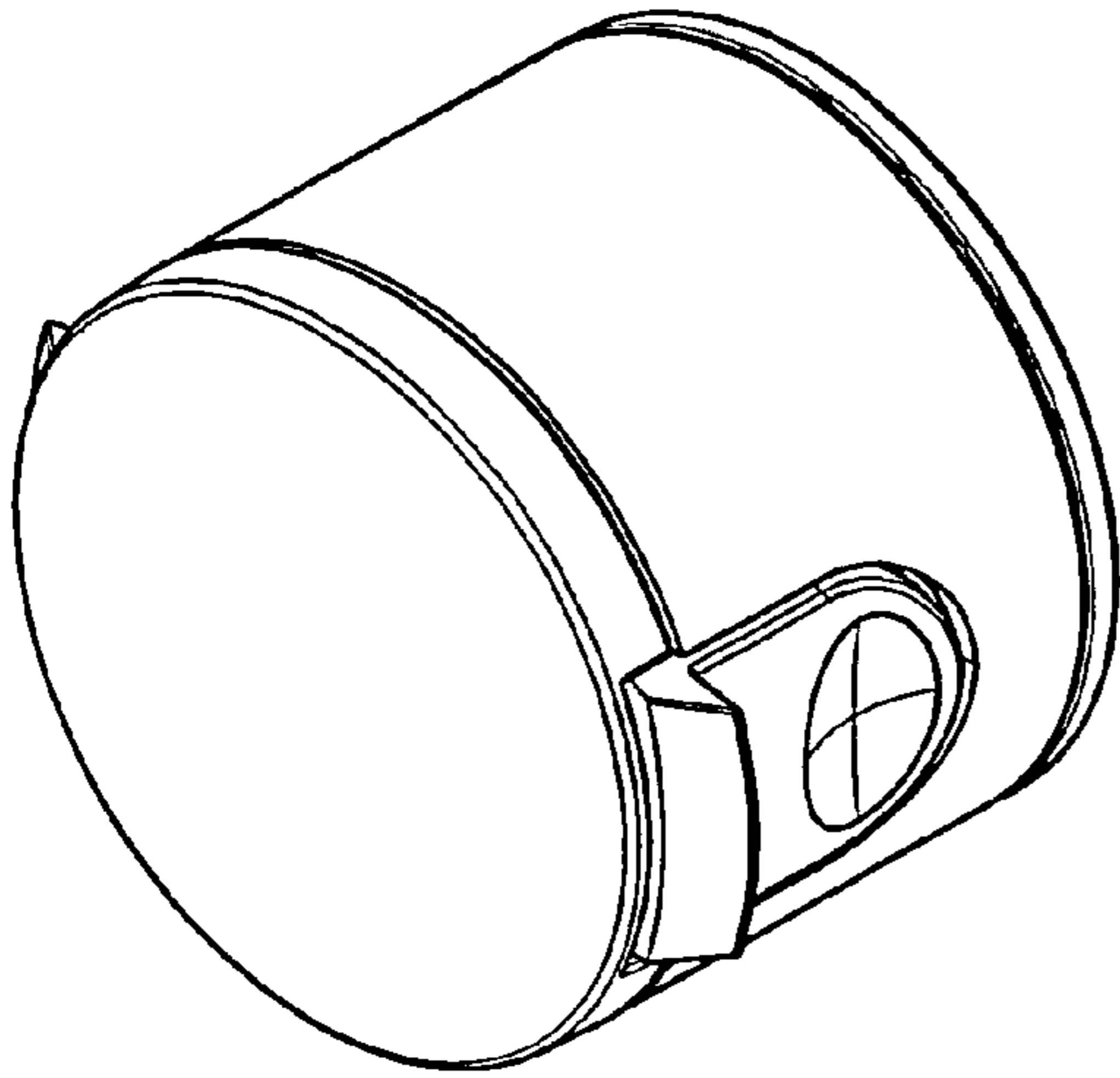


FIG. 1

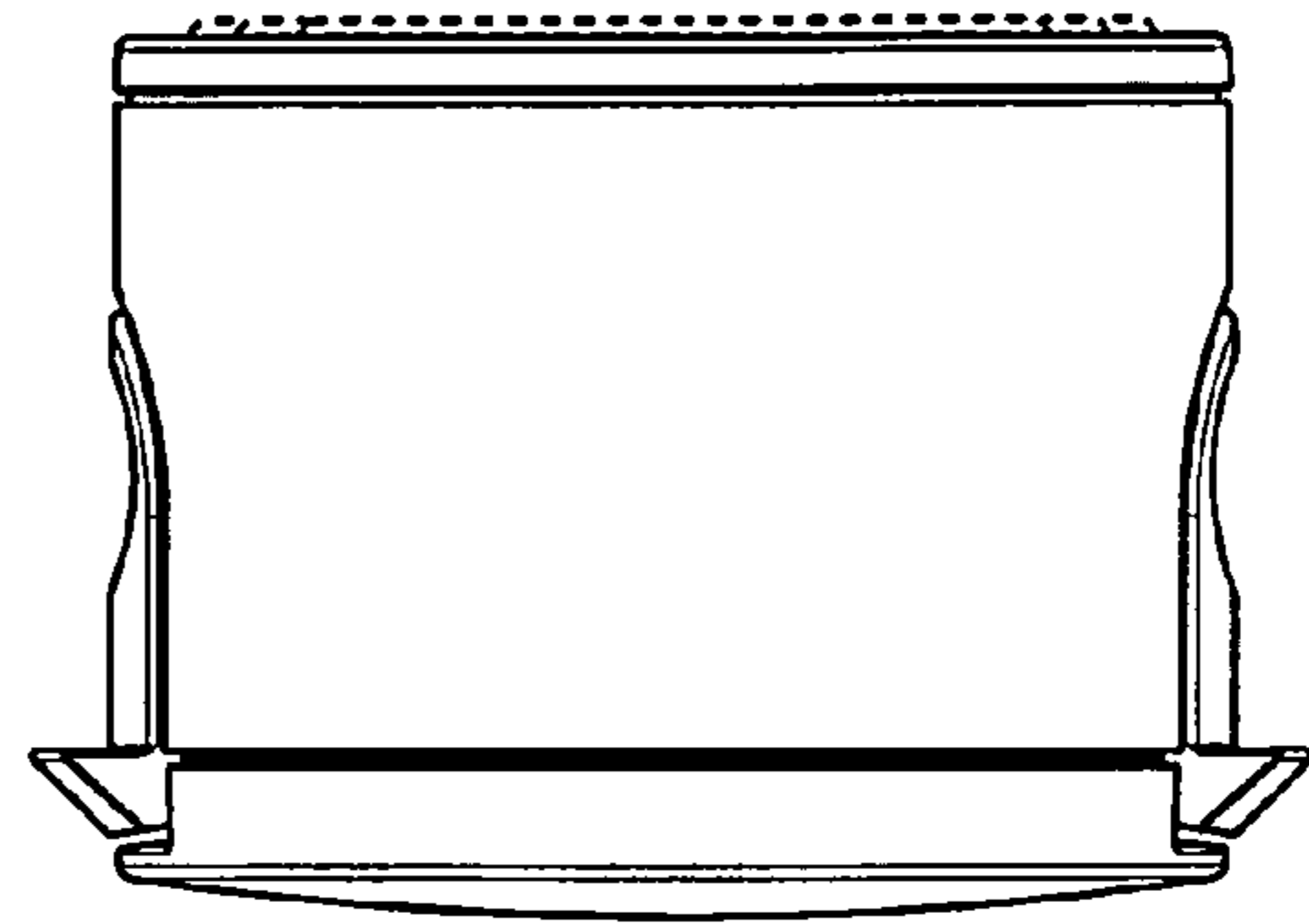


FIG. 3

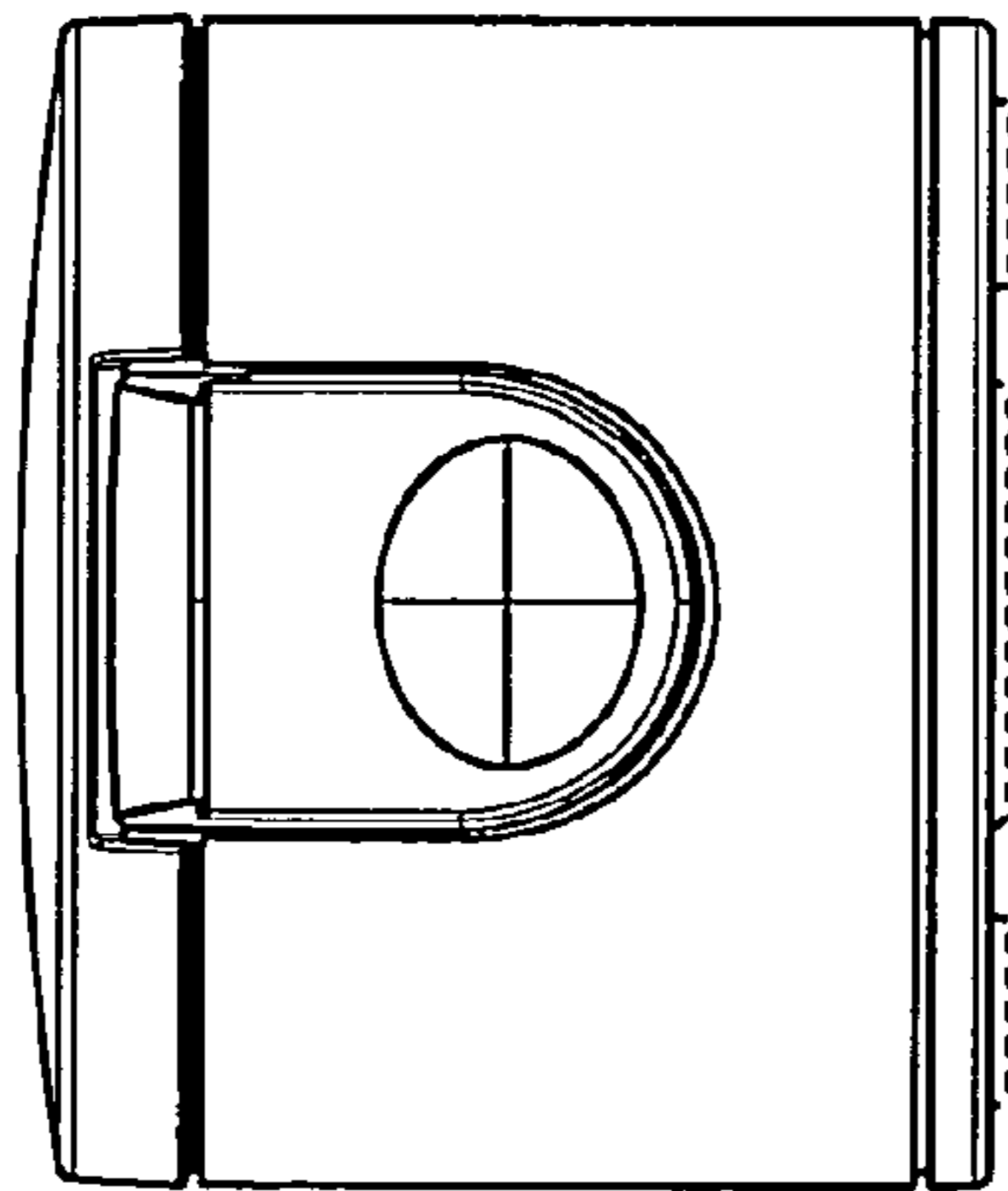


FIG. 4

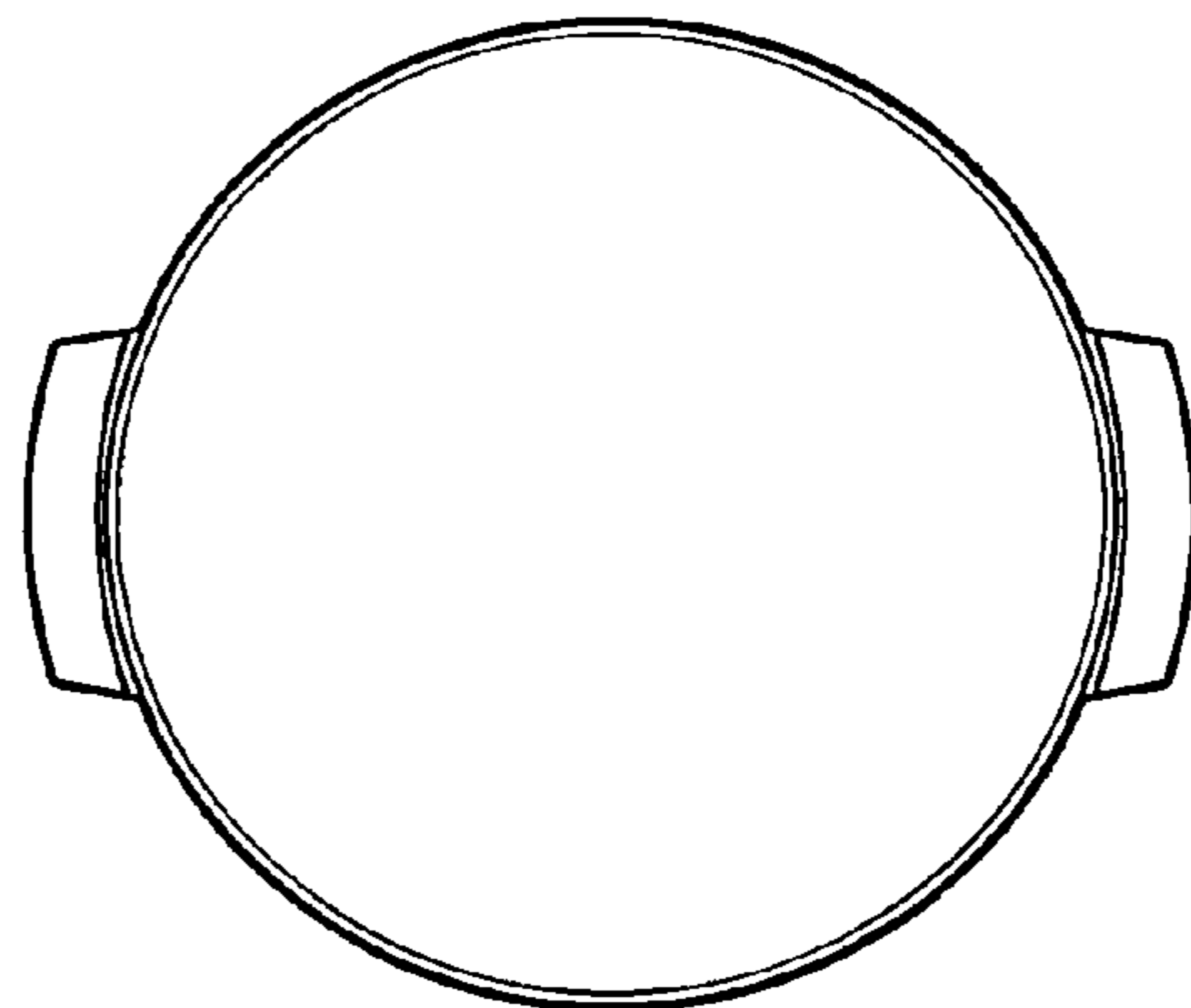


FIG. 2

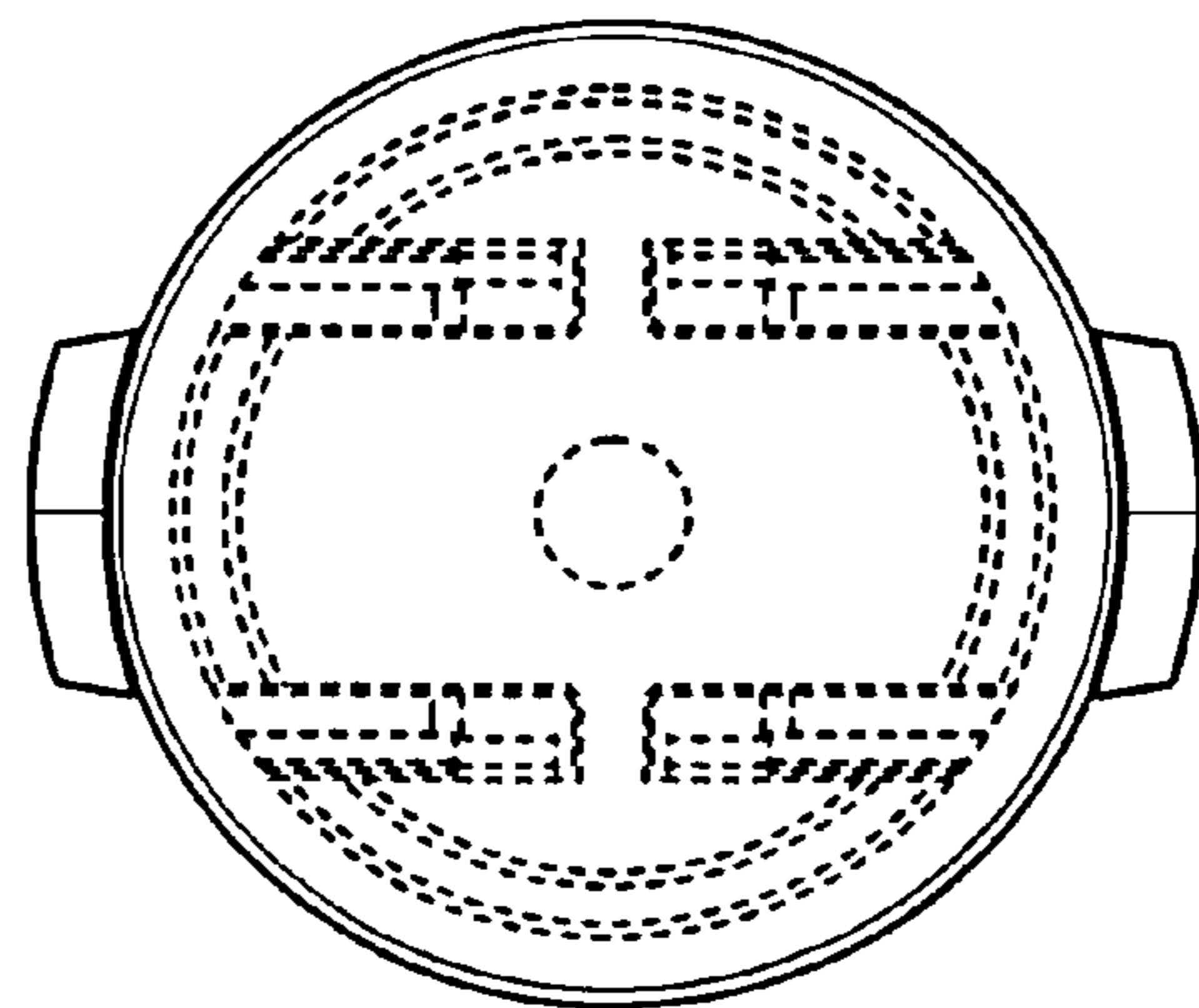


FIG. 5