

US00D692895S

(12) **United States Design Patent**
Iwata et al.

(10) **Patent No.:** **US D692,895 S**
(45) **Date of Patent:** **** Nov. 5, 2013**

(54) **CRADLE FOR A PERSONAL DIGITAL ASSISTANT**

(75) Inventors: **Akihisa Iwata**, Kawasaki (JP); **Yohei Ikegami**, Kawasaki (JP)

(73) Assignee: **NEC Infrontia Corporation**, Kawasaki-Shi, Kanagawa (JP)

(**) Term: **14 Years**

(21) Appl. No.: **29/416,129**

(22) Filed: **Mar. 19, 2012**

(30) **Foreign Application Priority Data**

Feb. 6, 2012 (JP) 2012-002295

(51) **LOC (9) Cl.** **14-02**

(52) **U.S. Cl.**
USPC **D14/434**

(58) **Field of Classification Search**
USPC D14/432-434, 314, 204, 420, 421, 447, D14/217, 138 R, 140, 142; D13/107, 108, D13/118, 146; 248/346.03, 176.1; 320/107, 320/110, 112-115, 109; 361/600, 679.41, 361/679.31-679.33, 679.4, 679.43, 679.55, 361/679.58; 439/347, 534; 455/556.1-556.2, 557; D8/373

See application file for complete search history.

(56) **References Cited**

U.S. PATENT DOCUMENTS

D378,911 S	*	4/1997	Nagele et al.	D13/108
D392,969 S	*	3/1998	Margalit et al.	D14/149
D466,511 S	*	12/2002	Croley et al.	D14/434
D533,552 S		12/2006	Kuroiwa et al.	
D551,618 S	*	9/2007	Aglassinger	D13/108
D601,498 S	*	10/2009	Aglassinger	D13/107

* cited by examiner

Primary Examiner — Freda S Nunn

(74) *Attorney, Agent, or Firm* — Buchanan Ingersoll & Rooney PC

(57) **CLAIM**

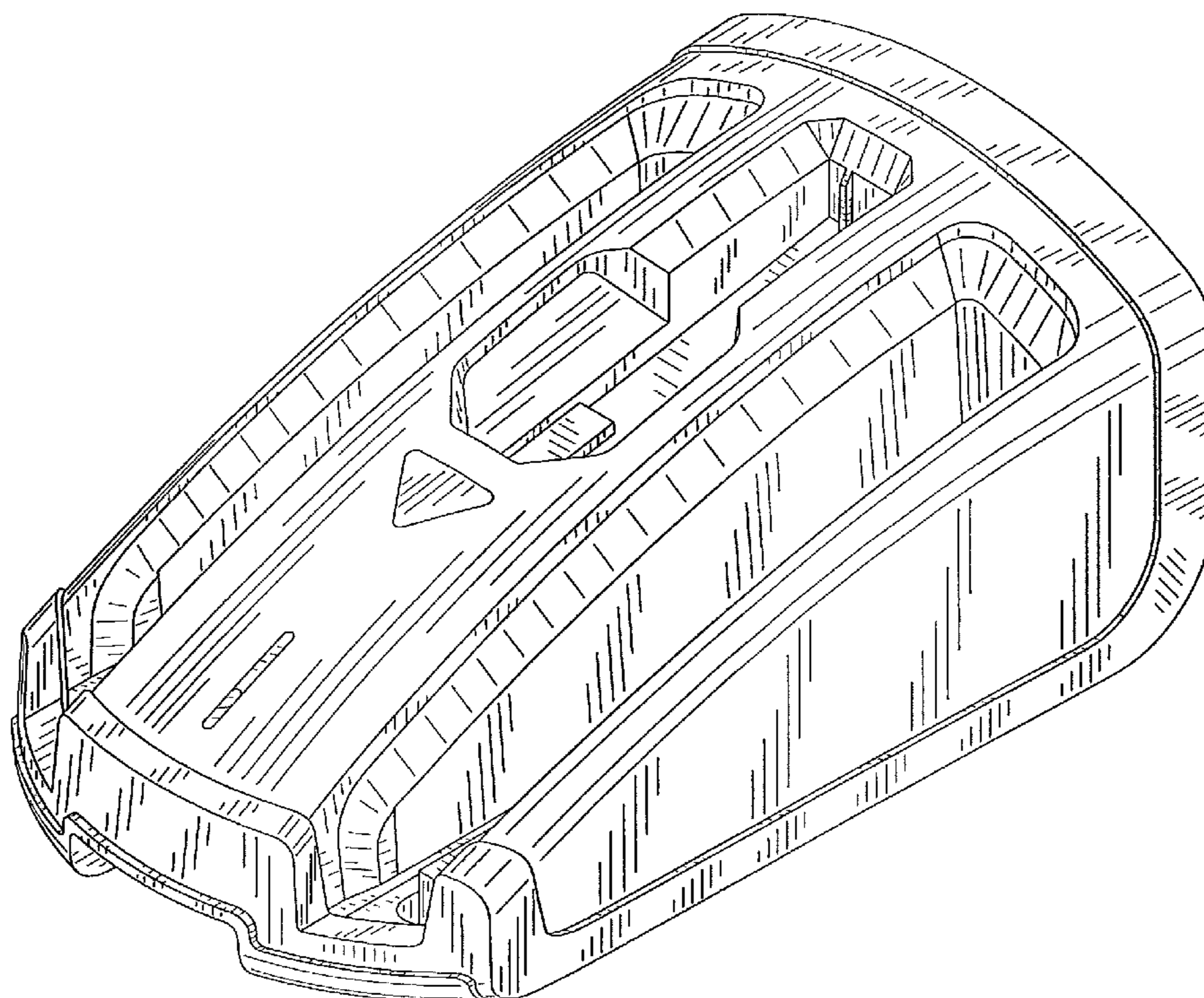
We claim the ornamental design for a cradle for a personal digital assistant, as shown and described.

DESCRIPTION

FIG. 1 is a front, right side, top perspective view of a cradle for a personal digital assistant showing our new design; FIG. 2 is a front elevational view thereof; FIG. 3 is a rear elevational view thereof; FIG. 4 is a left side view thereof; FIG. 5 is a right side view thereof; FIG. 6 is a top plan view thereof; FIG. 7 is a bottom plan view thereof; and, FIG. 8 is a perspective view thereof showing a state in which the article is used.

Broken lines shown in the drawings are used to show environment only, and form no part of the claimed design.

1 Claim, 6 Drawing Sheets



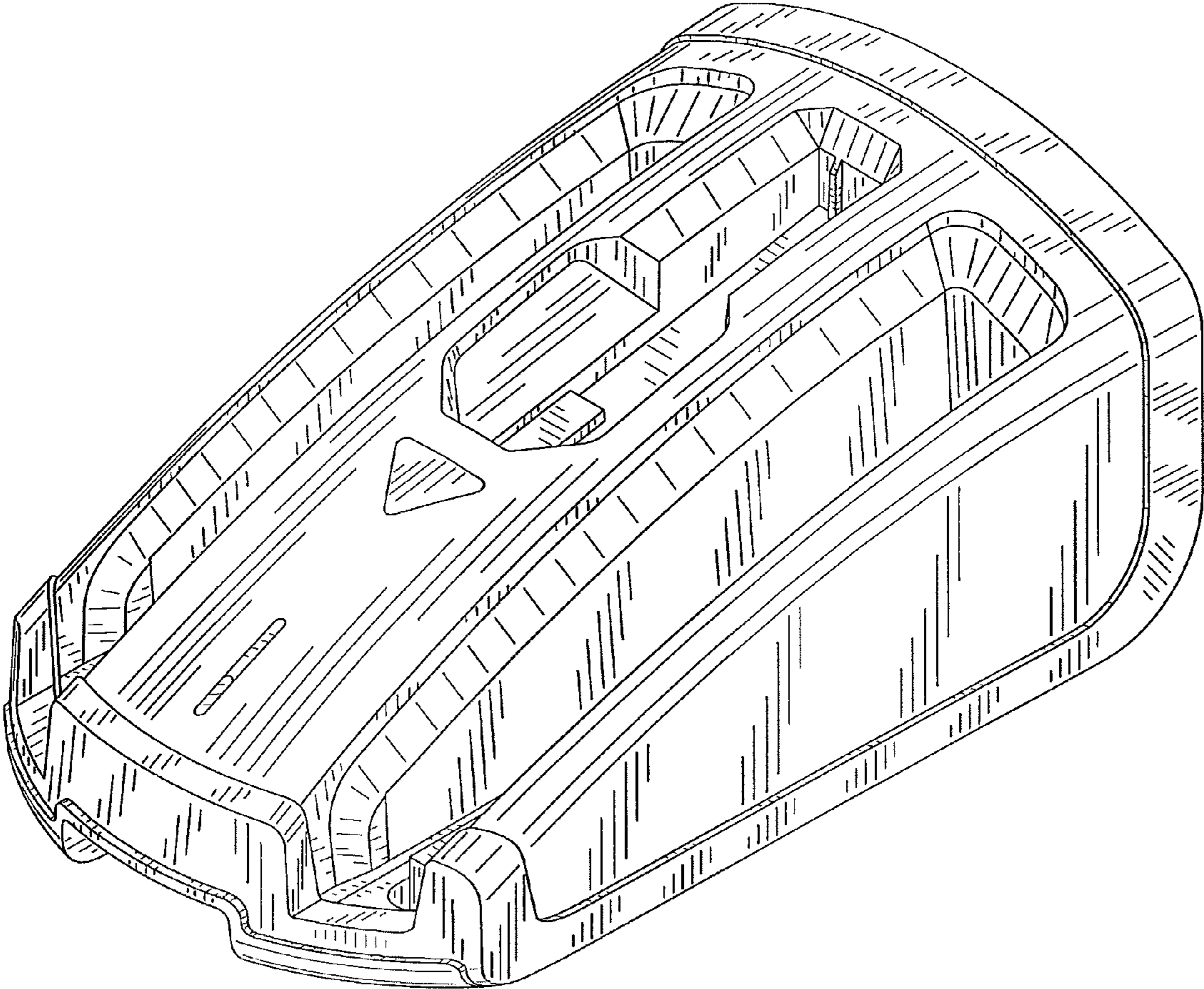


FIG. 1

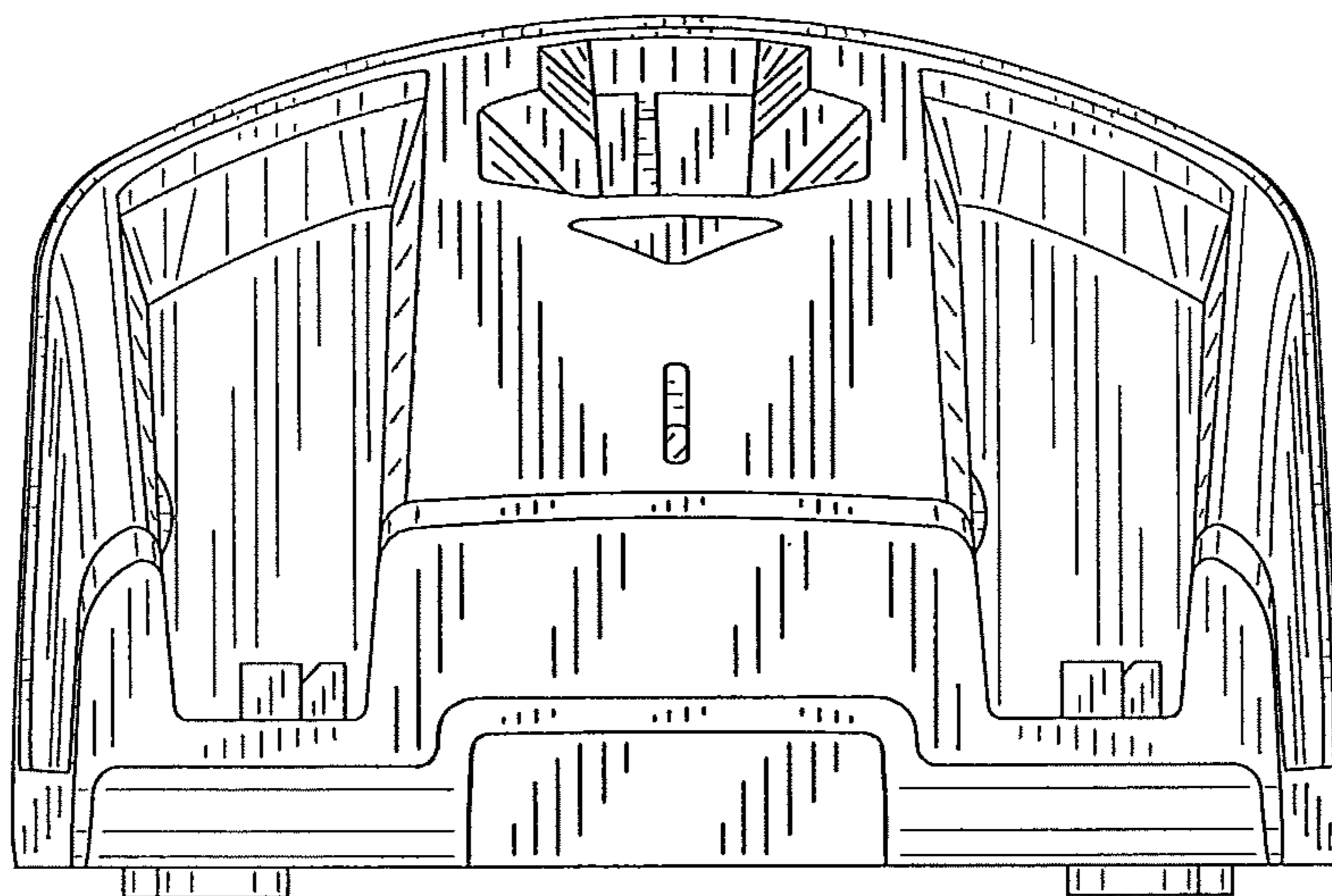


FIG. 2

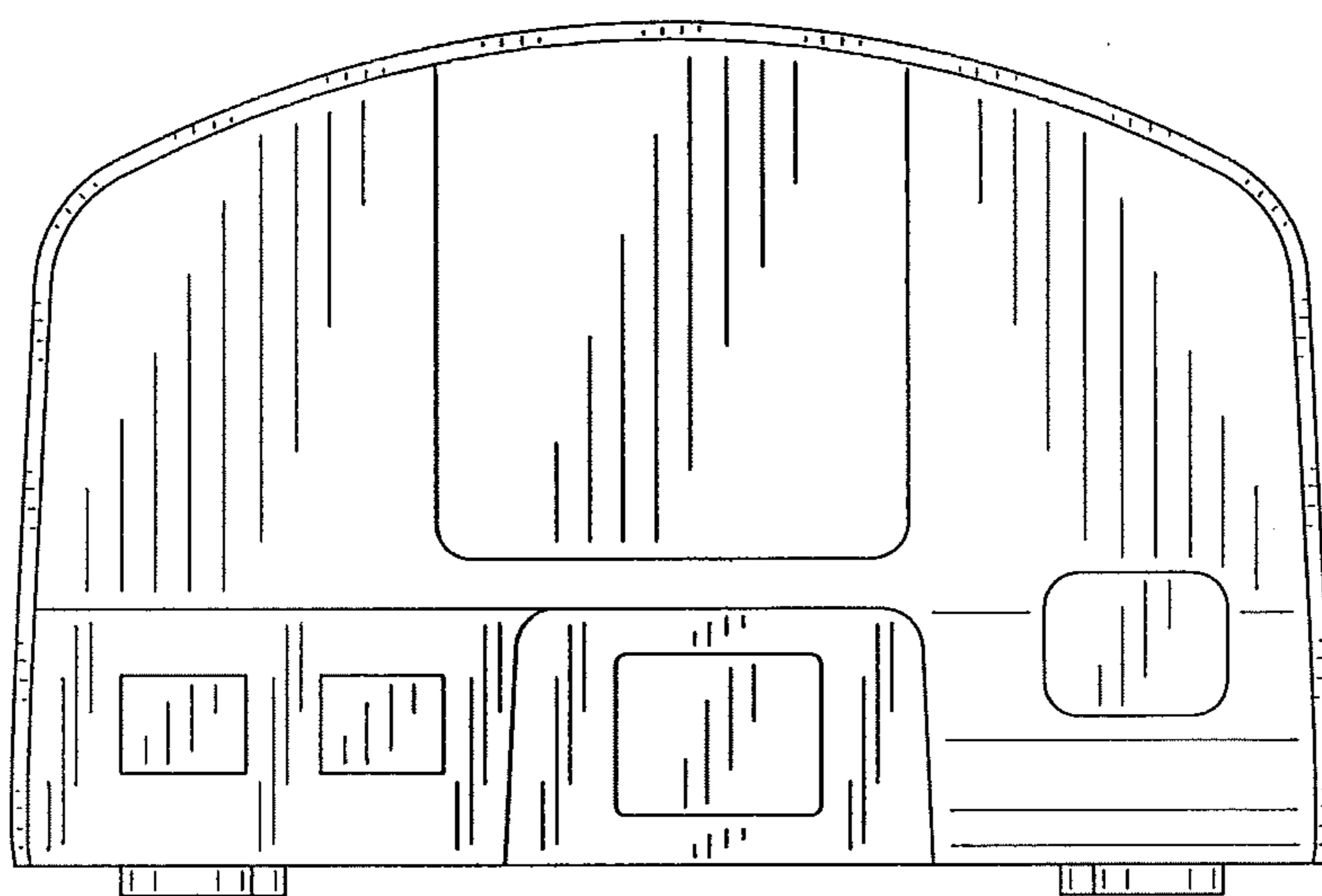


FIG. 3

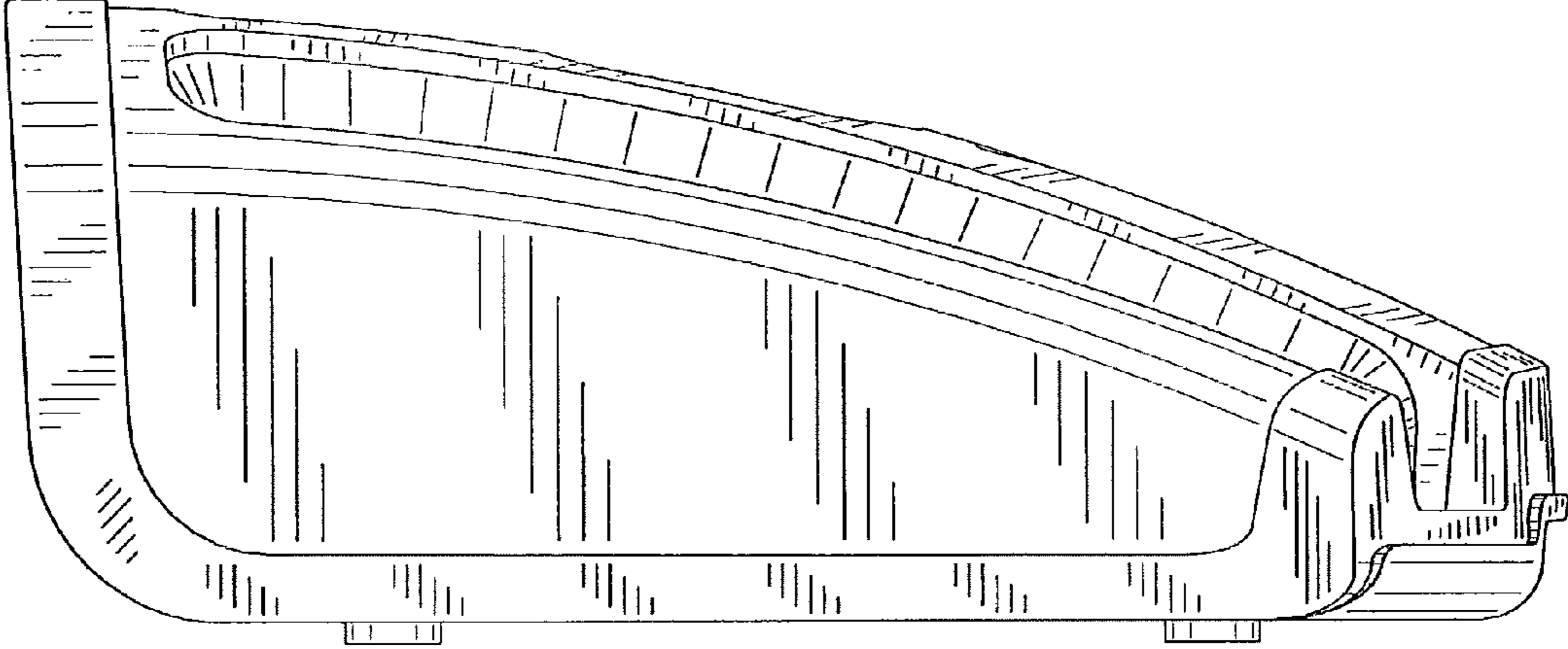


FIG. 4

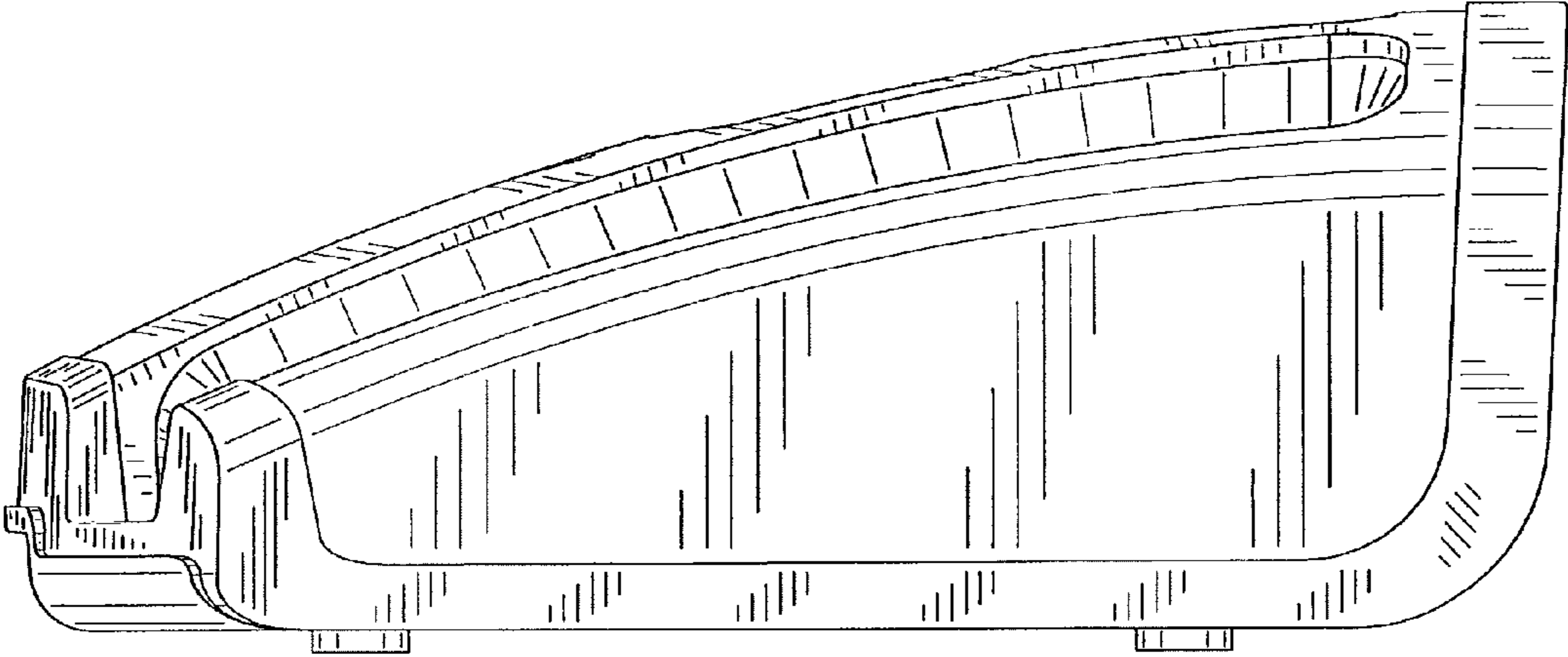


FIG. 5

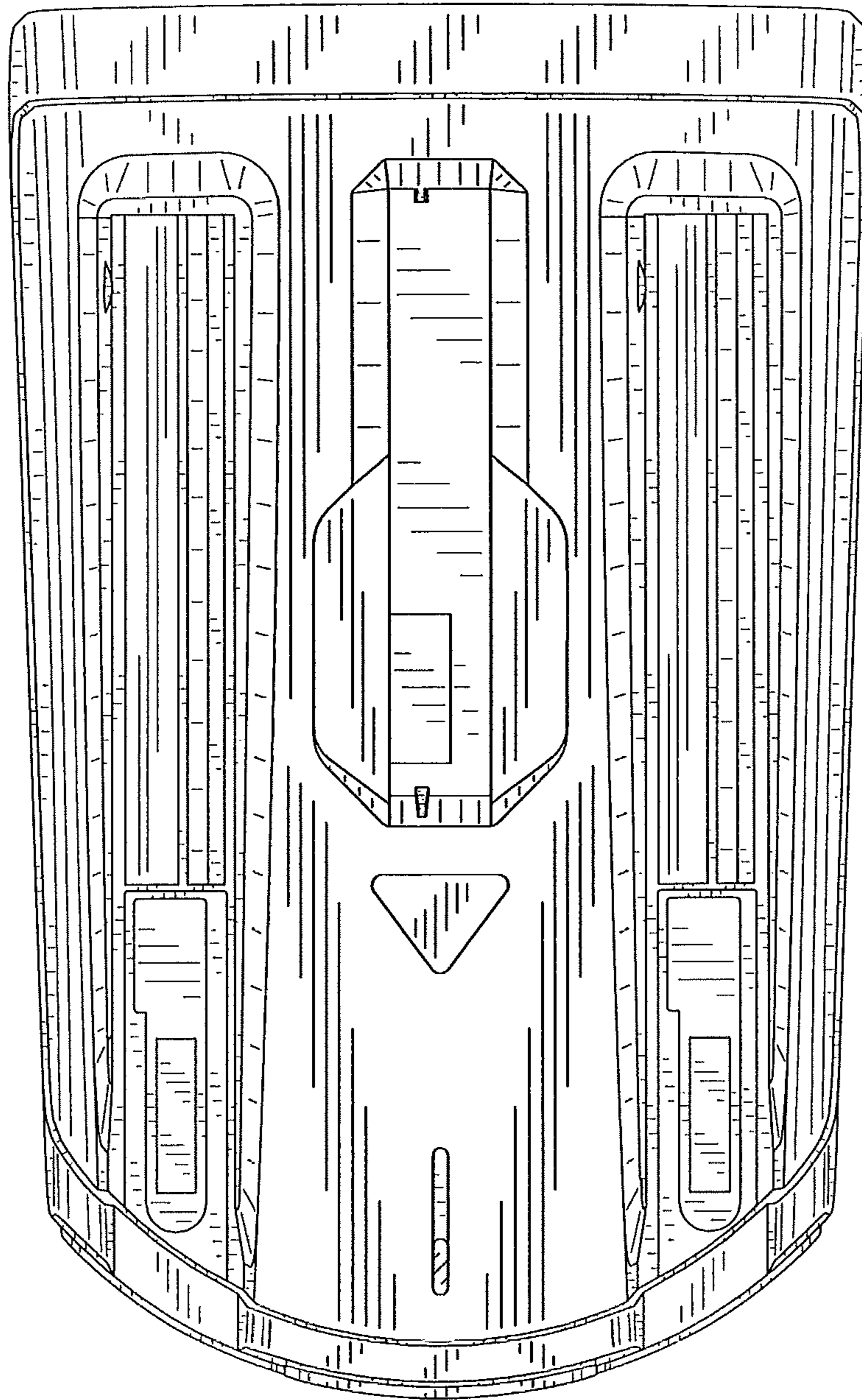


FIG. 6

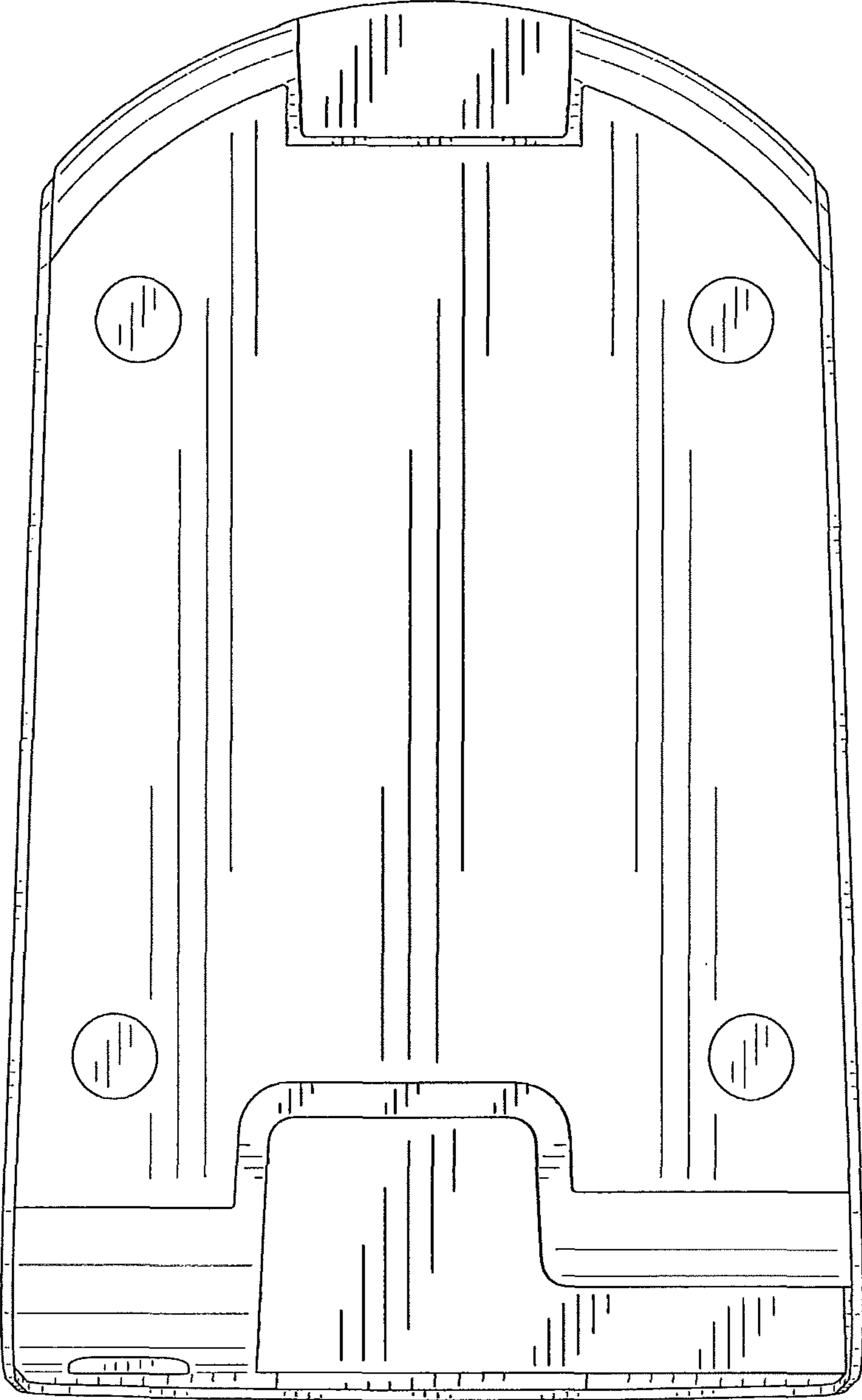


FIG. 7

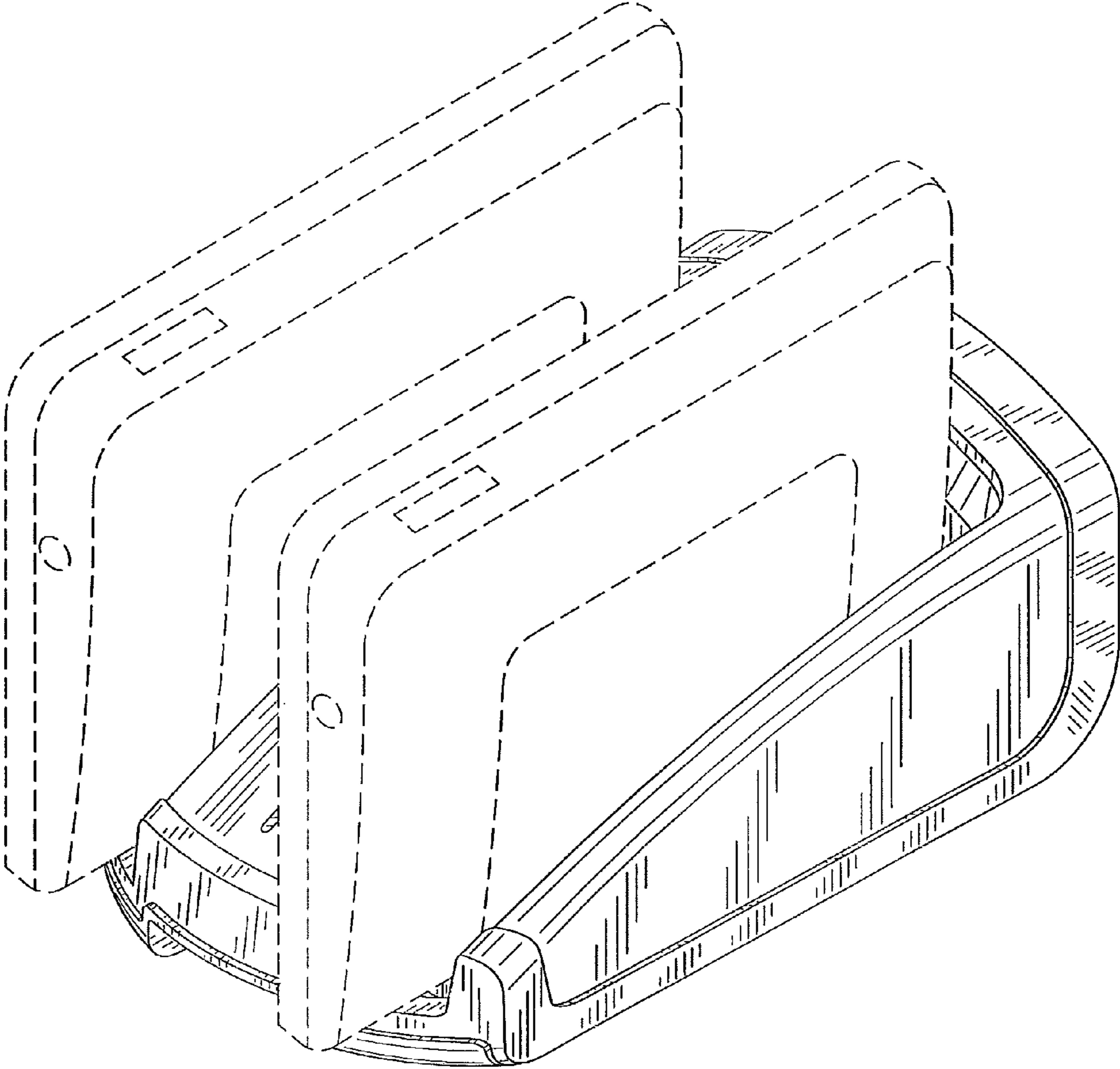


FIG. 8