



US00D692894S

(12) **United States Design Patent**
Chen

(10) **Patent No.:** **US D692,894 S**

(45) **Date of Patent:** **** Nov. 5, 2013**

(54) **KIT FOR ELECTRONIC DEVICE**

(76) Inventor: **Ching-Tsung Chen**, Taipei (TW)

(**) Term: **14 Years**

(21) Appl. No.: **29/406,244**

(22) Filed: **Nov. 10, 2011**

(51) **LOC (9) Cl.** **14-02**

(52) **U.S. Cl.**
USPC **D14/432**

(58) **Field of Classification Search**
USPC D14/356, 432-434, 453, 454, 511,
D14/203.8, 209.1, 238.1, 240, 125;
439/638, 928, 105, 502; 710/303, 304;
361/679.41, 679.55, 679.56; D13/110,
D13/133, 146

See application file for complete search history.

(56) **References Cited**

U.S. PATENT DOCUMENTS

4,558,914 A * 12/1985 Prager et al. 439/259
5,263,875 A * 11/1993 Spicer et al. 439/367
5,825,627 A * 10/1998 Tamura 361/730

5,863,211 A * 1/1999 Sobotta et al. 439/74
6,201,698 B1 * 3/2001 Hunter 361/704
D463,414 S * 9/2002 Gao D14/240
D485,562 S * 1/2004 Goto D14/439
D519,512 S * 4/2006 Nishio et al. D14/433

* cited by examiner

Primary Examiner — Austin Murphy

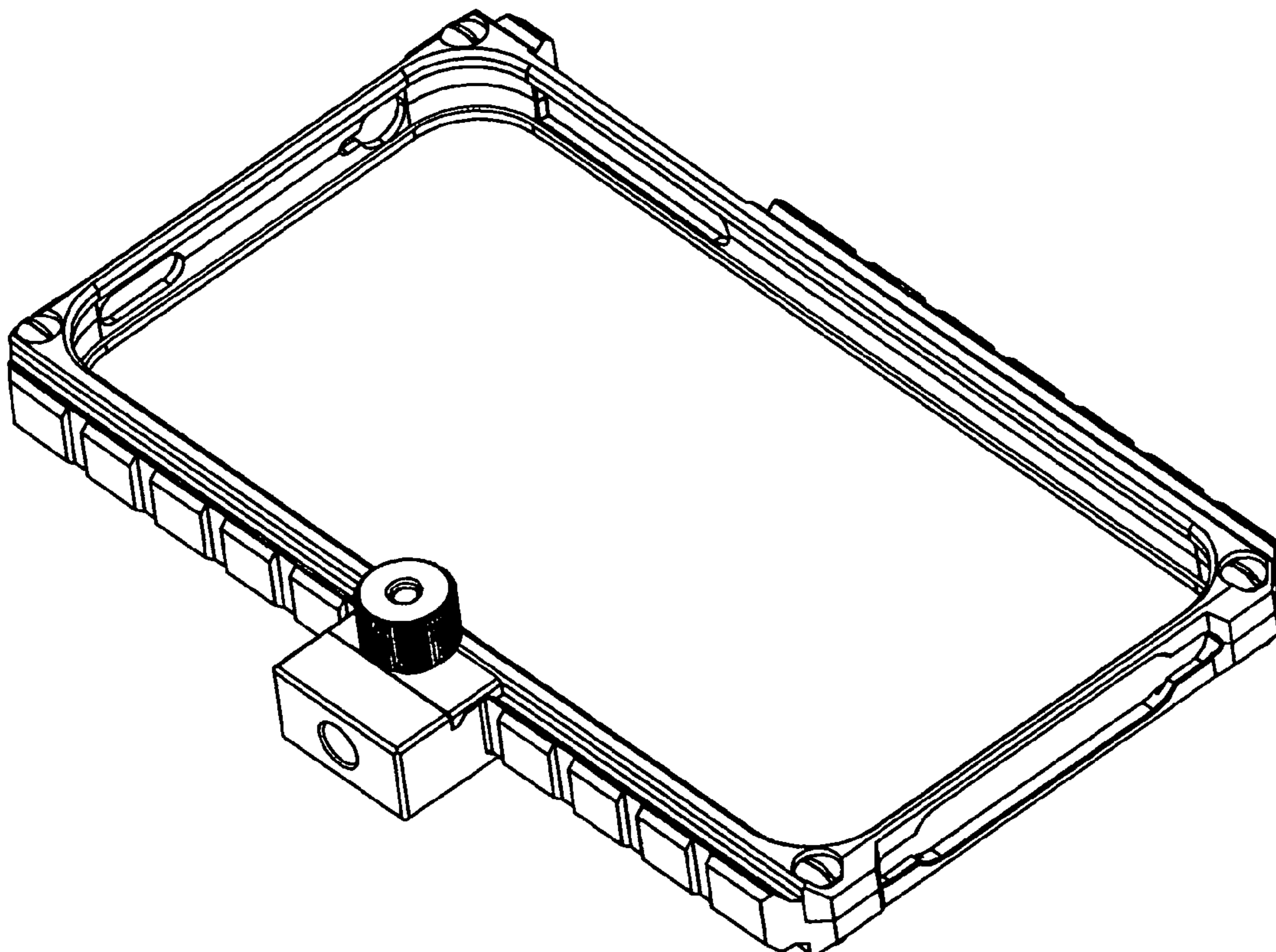
(57) **CLAIM**

The ornamental design for a kit for electronic device, is shown and described.

DESCRIPTION

FIG. 1 is a front perspective view of a kit for electronic device, showing my new design;
FIG. 2 is a front elevational view thereof;
FIG. 3 is a rear elevational view thereof;
FIG. 4 is a right side elevational view thereof;
FIG. 5 is a left side elevational view thereof;
FIG. 6 is a top plain view thereof; and,
FIG. 7 is a bottom plan view thereof.
The broken line showing in FIG. 8 and FIG. 9 is for illustrative purpose only and forms no part of the claimed design.

1 Claim, 7 Drawing Sheets



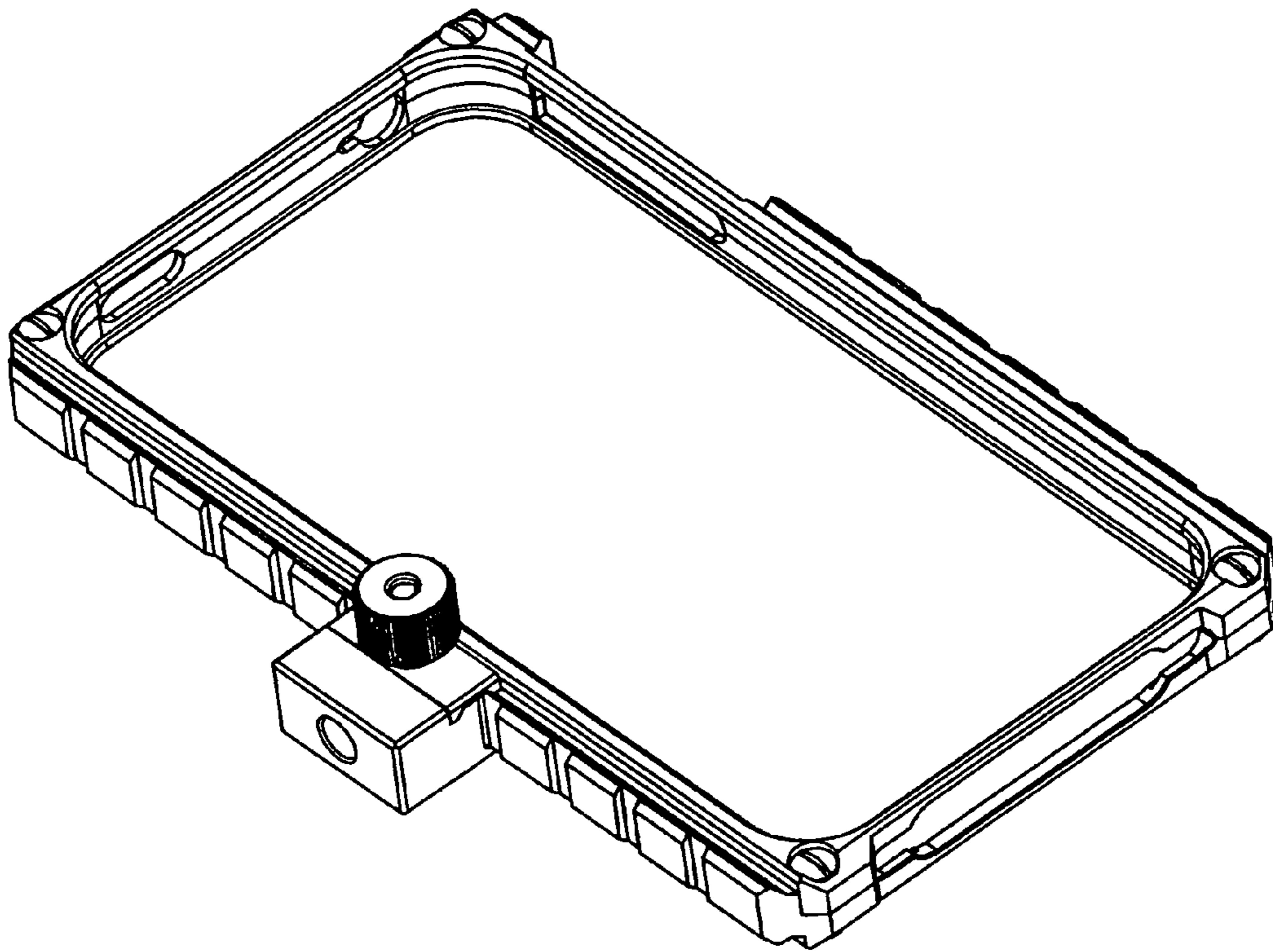


Fig.1

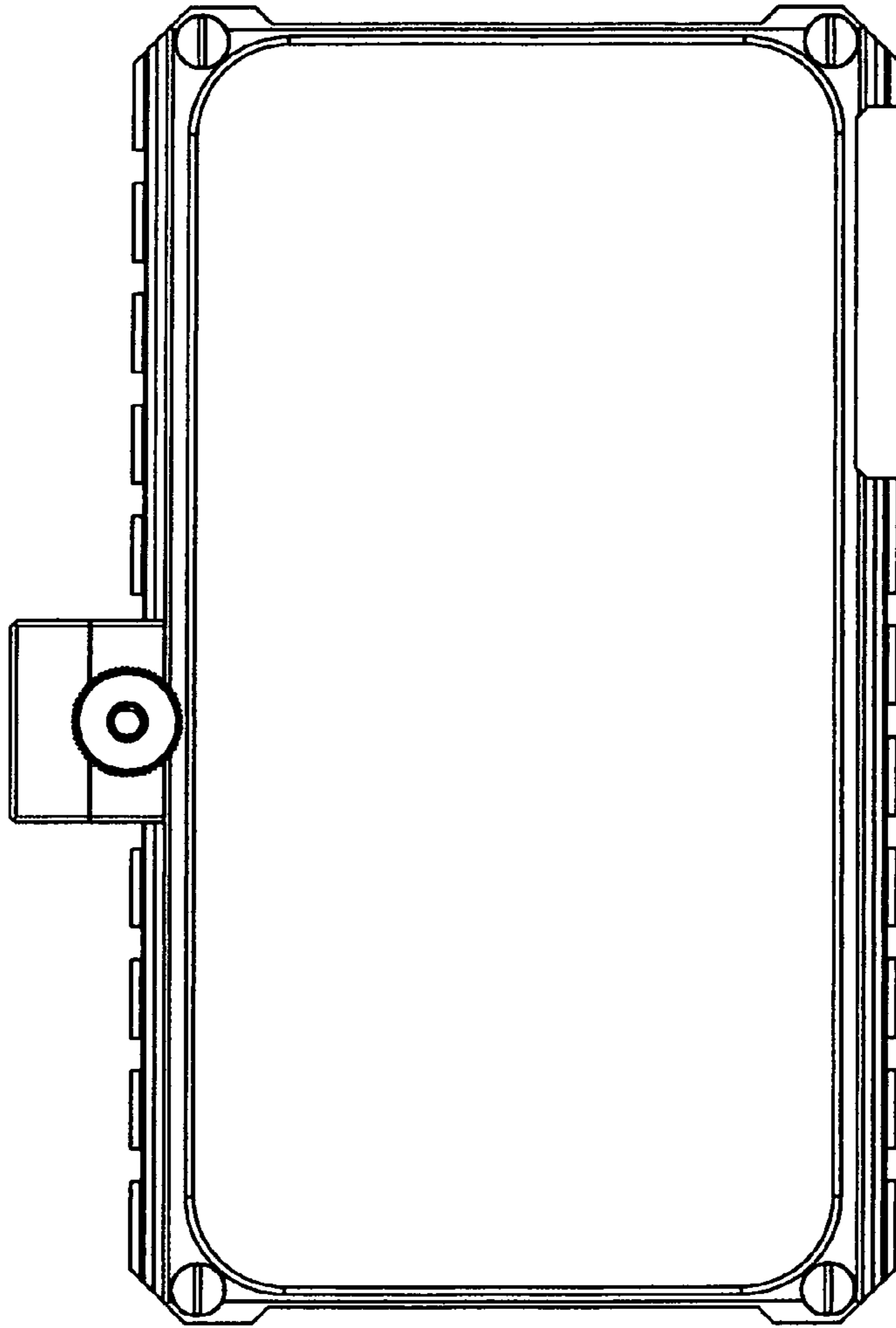


Fig.2

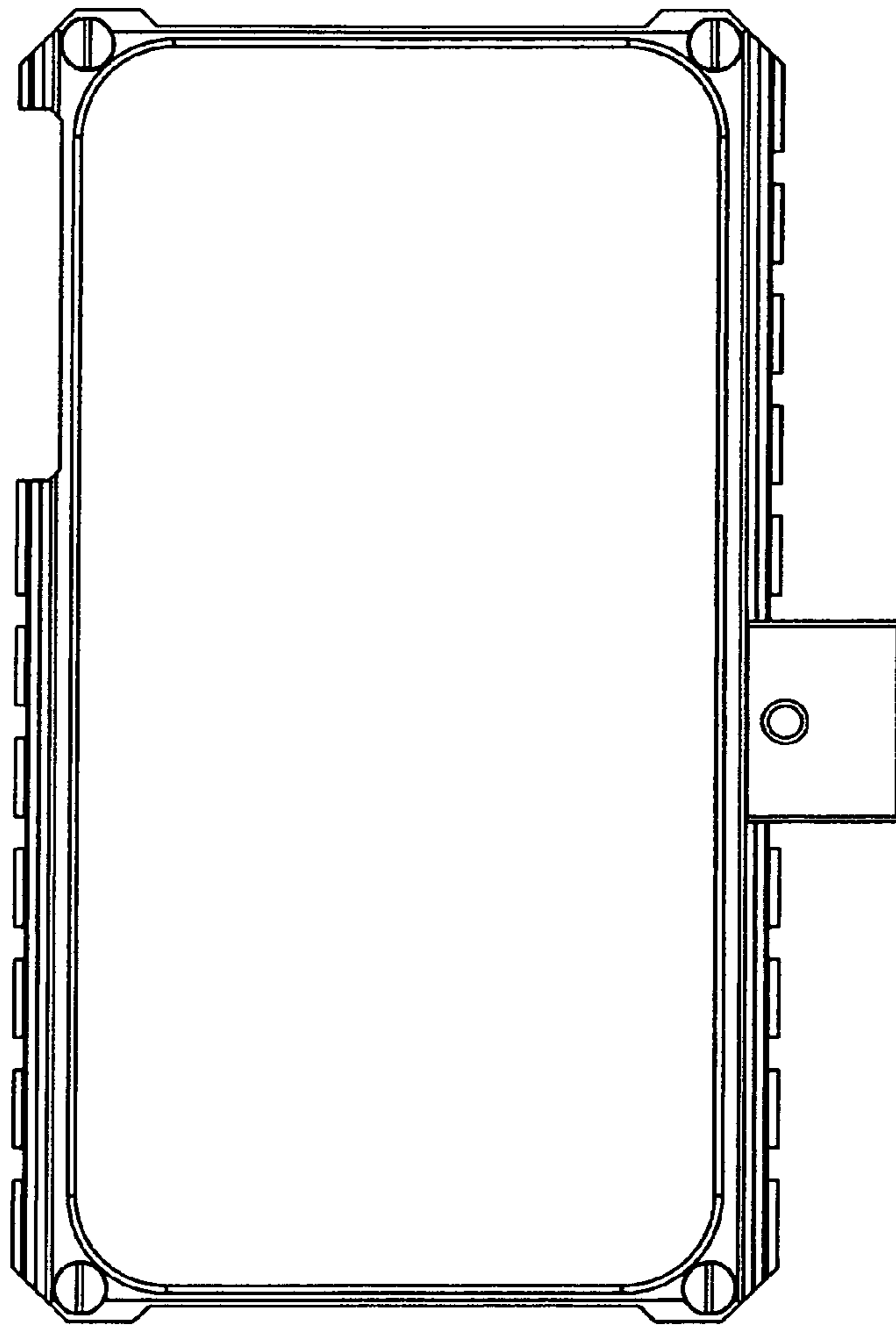


Fig.3

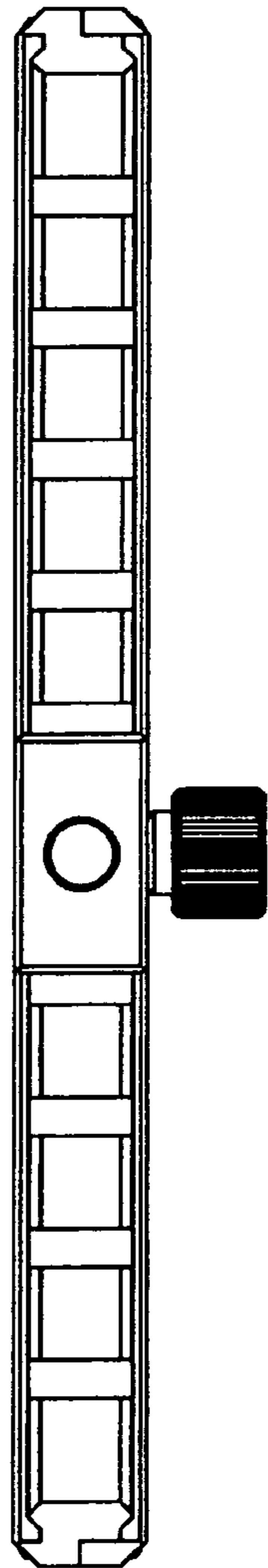


Fig.4

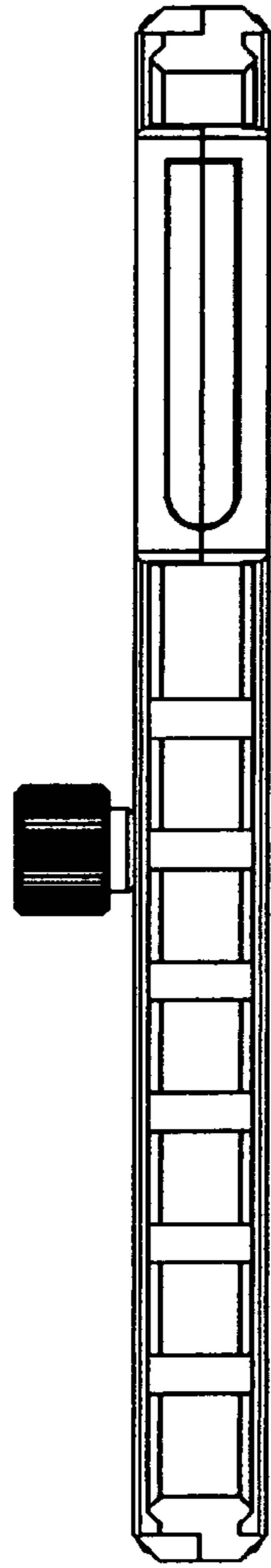


Fig.5

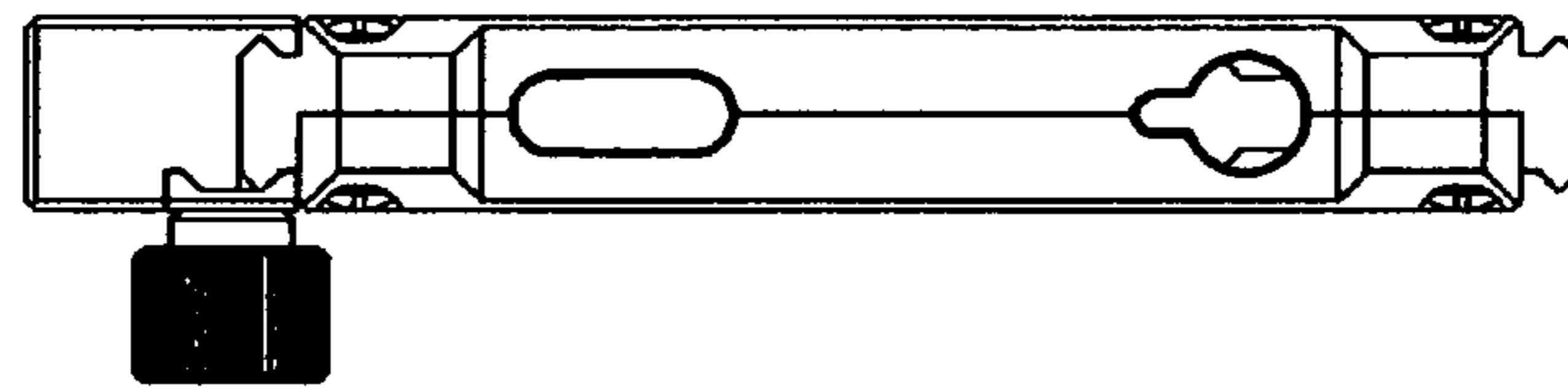


Fig.6

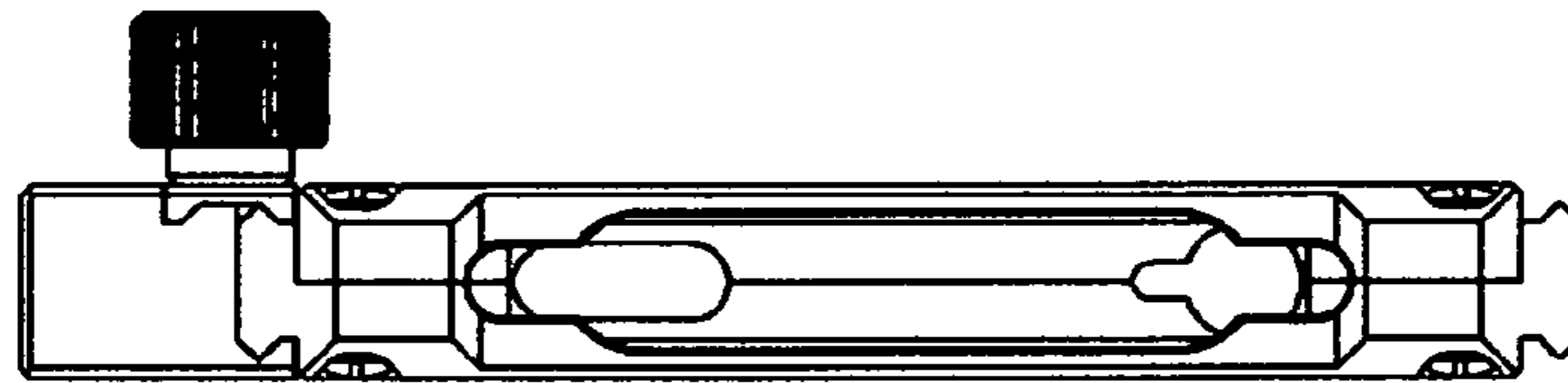


Fig.7