



US00D692892S

(12) **United States Design Patent**
Mistkawi

(10) **Patent No.:** **US D692,892 S**
(45) **Date of Patent:** **** Nov. 5, 2013**

(54) **HANDHELD DATA READER**

(75) Inventor: **Joseph G. Mistkawi**, Tigard, OR (US)

(73) Assignee: **Datalogic ADC, Inc.**, Eugene, OR (US)

(**) Term: **14 Years**

(21) Appl. No.: **29/424,456**

(22) Filed: **Jun. 12, 2012**

(51) **LOC (9) Cl.** **14-02**

(52) **U.S. Cl.**
USPC **D14/426**

(58) **Field of Classification Search**

USPC D14/420, 426-430, 453, 346, 341, 347,
D14/412; D13/107, 184; 358/473;
235/462.43, 462.45, 462.47, 462.48,
235/462.44, 462.46, 487, 472.01, 472.02;
16/110.1, 430, 431; 439/133, 135;
709/219, 201; 710/73; 320/114, 115,
320/123; 361/679; 382/313, 321;
455/575.1, 561, 572

See application file for complete search history.

(56) **References Cited**

U.S. PATENT DOCUMENTS

D331,576	S	*	12/1992	Yamanaka	D14/428
5,237,162	A		8/1993	Harden et al.		
D340,042	S	*	10/1993	Copper et al.	D14/388
D341,584	S	*	11/1993	Shepard et al.	D14/428
D349,109	S		7/1994	Karlin		
5,663,551	A	*	9/1997	Hone et al.	235/462.45
D388,076	S	*	12/1997	Swift et al.	D14/428
D406,126	S	*	2/1999	Massieu et al.	D14/428
D408,532	S	*	4/1999	Schmidt et al.	D14/428
5,917,176	A	*	6/1999	Bottazzi	235/472.01
D456,808	S	*	5/2002	Fitch et al.	D14/428
D456,809	S	*	5/2002	Schlieffers	D14/428
D456,810	S	*	5/2002	Schlieffers	D14/428
D459,728	S	*	7/2002	Roberts et al.	D14/428
6,478,226	B2	*	11/2002	Canini et al.	235/462.48
D470,497	S	*	2/2003	Byun et al.	D14/426

6,517,003	B2	*	2/2003	Vassura et al.	235/472.01
6,648,228	B2	*	11/2003	Dvorkis	235/462.43
D542,802	S	*	5/2007	Woodcock	D14/453
D562,825	S	*	2/2008	Fitch et al.	D14/426
D566,713	S	*	4/2008	Ah	D14/428

(Continued)

OTHER PUBLICATIONS

Datalogic Scanning Pocket Guide, Rev. C (Jan. 2010).

(Continued)

Primary Examiner — Susan Moon Lee

(74) *Attorney, Agent, or Firm* — Stoel Rives LLP

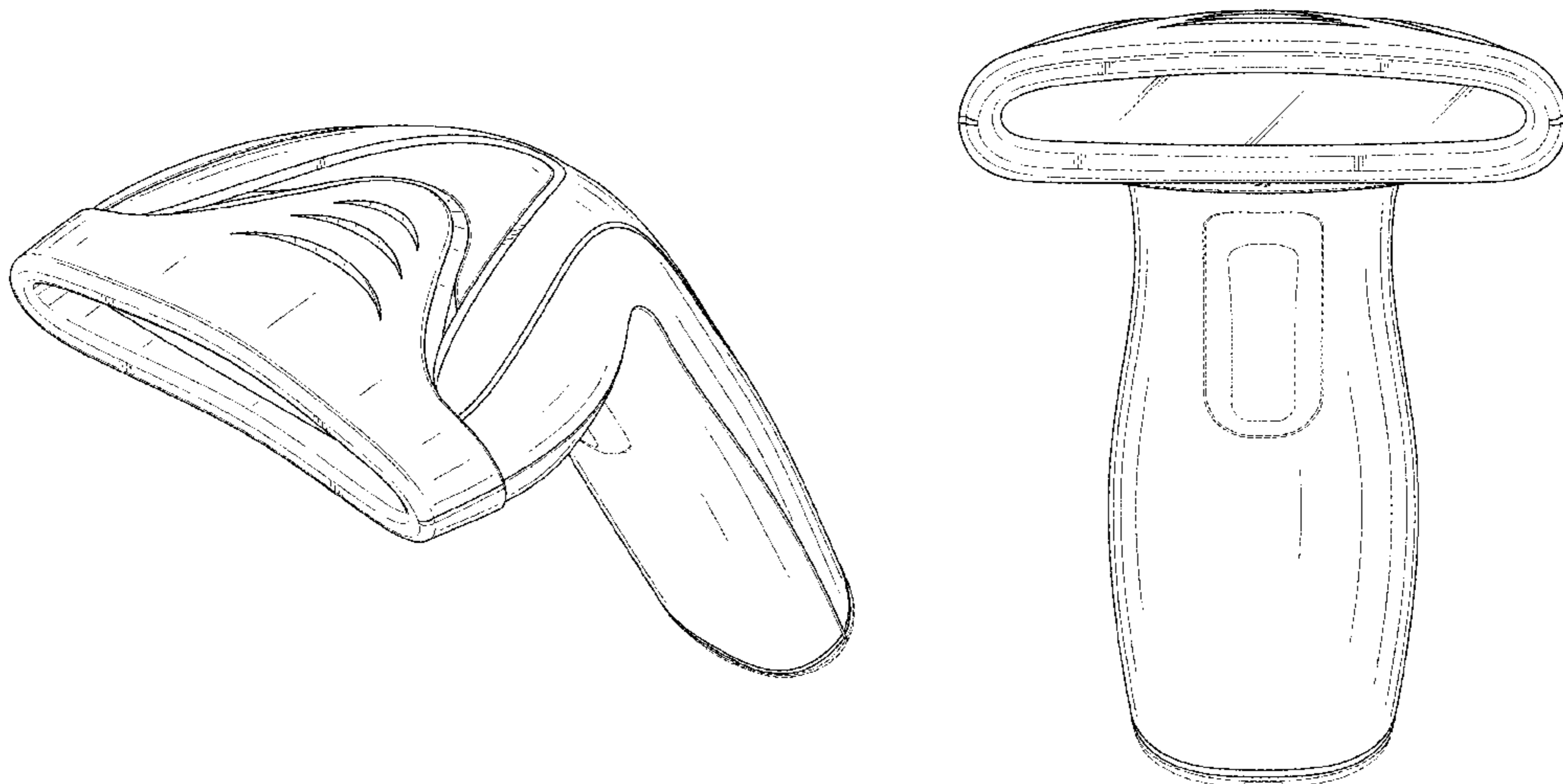
(57) **CLAIM**

An ornamental design for a handheld data reader, as shown and described.

DESCRIPTION

FIG. 1 is a front isometric view of a handheld data reader showing the new design;
 FIG. 2 rear isometric view thereof;
 FIG. 3 is a front side elevation view thereof;
 FIG. 4 is a rear side elevation view thereof;
 FIG. 5 is a left side elevation view thereof;
 FIG. 6 is a right side elevation view thereof;
 FIG. 7 is a top plan view thereof;
 FIG. 8 is a bottom plan view thereof.
 FIG. 9 is a front isometric view of a second embodiment of the handheld data reader;
 FIG. 10 rear isometric view thereof;
 FIG. 11 is a front side elevation view thereof;
 FIG. 12 is a rear side elevation view thereof;
 FIG. 13 is a left side elevation view thereof;
 FIG. 14 is a right side elevation view thereof;
 FIG. 15 is a top plan view thereof; and,
 FIG. 16 is a bottom plan view thereof.
 Broken lines and unshaded portions contained within broken lines are not claimed.

1 Claim, 11 Drawing Sheets



(56)

References Cited

U.S. PATENT DOCUMENTS

D570,843	S *	6/2008	Mazzone et al.	D14/428
D599,799	S *	9/2009	Di Bari et al.	D14/428
D603,408	S *	11/2009	Fitch	D14/426
D606,076	S *	12/2009	Di Bari et al.	D14/428
D614,625	S *	4/2010	Fitch et al.	D14/426
D655,012	S *	2/2012	Nanda	D24/176
D677,258	S *	3/2013	Mistkawi	D14/428
2002/0148902	A1 *	10/2002	Schlieffers	235/472.01
2004/0164165	A1 *	8/2004	Havens et al.	235/462.43

OTHER PUBLICATIONS

Datalogic Scanning Pocket Guide, Rev. F (Sep. 2011).
 Datalogic Automatic Data Capture Pocket Guide, Rev. G (Jan. 2012).
 Datalogic Scanning e-Catalog: Touch™ 65/90 Pro & Light General Purpose Corded Contact Linear Imager Bar Code Reader, <http://www.scanning.datalogic.com/e-catalog/ec-touch.aspx>, (2009-2012) visited Sep. 24, 2012.
 Metrologic MS6220 handheld scanner, <http://www.microassociates.net/metrologic/ms6220.html>, (2011) visited Sep. 6, 2012.

Symbol Technology Model LT-1800 handheld scanner, <http://www.microassociates.net/symbol/lt-1800.html>, (2011) visited Sep. 6, 2012.

Symbol Technology Model LS-1902 & 1908 handheld scanner, <http://www.microassociates.net/symbol/ls-1902.html>, (2011) visited Sep. 6, 2012.

Hand Held Products (Welch-Allyn) Scanteam 3010 handheld scanner, <http://www.microassociates.net/hhp/welch-allyn-scanteam-3010.html> (2011) visited Sep. 6, 2012.

Hand Held Products (Welch-Allyn) ST 3000 handheld scanner, <http://www.microassociates.net/hhp/welch-allyn-scanteam-3000.html> (2011) visited Sep. 6, 2012.

Hand Held Products (Welch-Allyn) VT 3080 handheld scanner, <http://www.microassociates.net/hhp/3080.html> (2011) visited Sep. 6, 2012.

PSC QS 3000 handheld scanner, <http://www.microassociates.net/psc/psc-qs3000.html> (2011) visited Sep. 6, 2012.

PSC Quick Scan 3500 handheld scanner, <http://www.microassociates.net/psc/psc-qs3500.html> (2011) visited Sep. 6, 2012.

PSC Percon Alpha 10T handheld scanner, <http://www.microassociates.net/psc/percon-alpha-10T.html>, visited Sep. 24, 2012.

* cited by examiner

FIG. 1

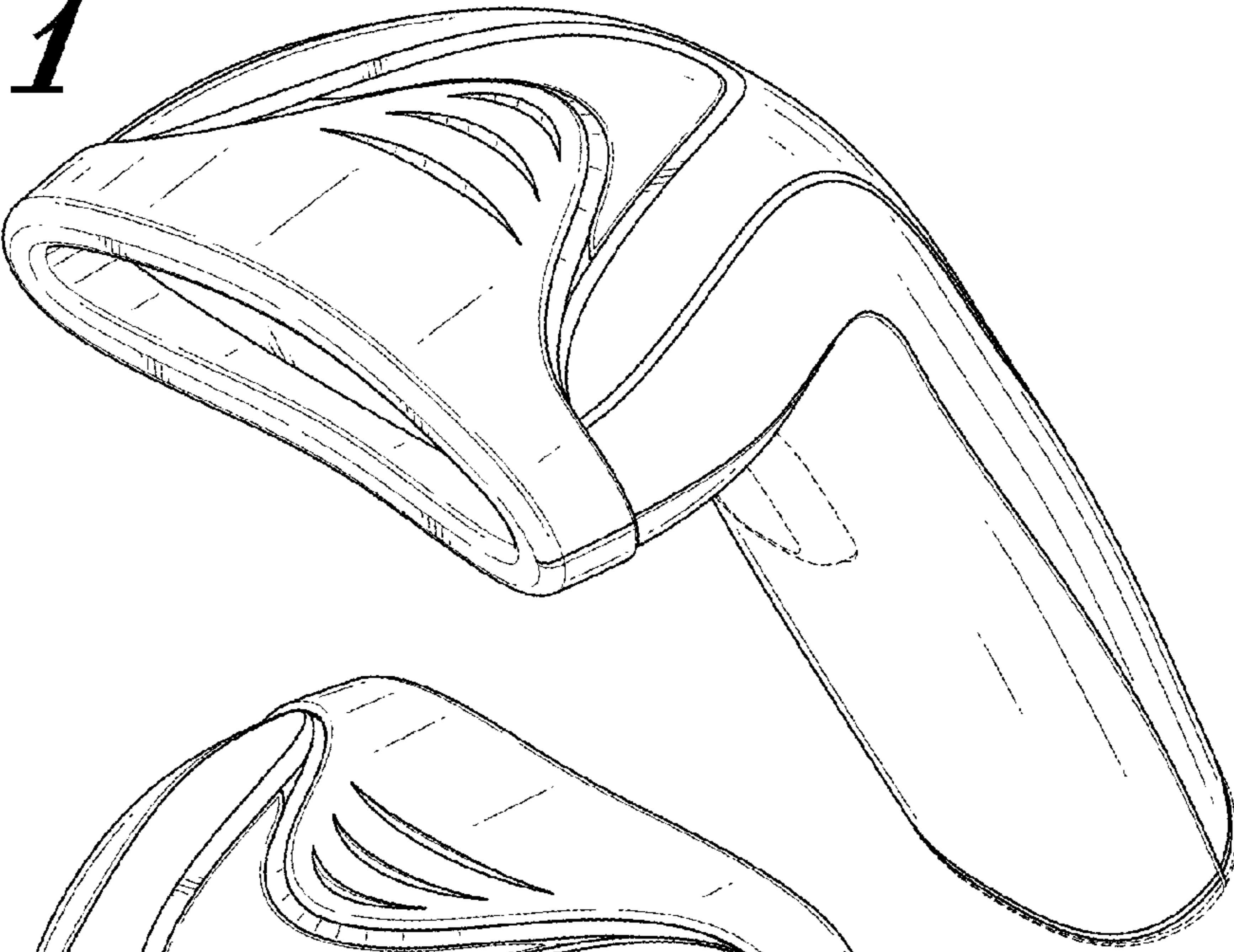


FIG. 2



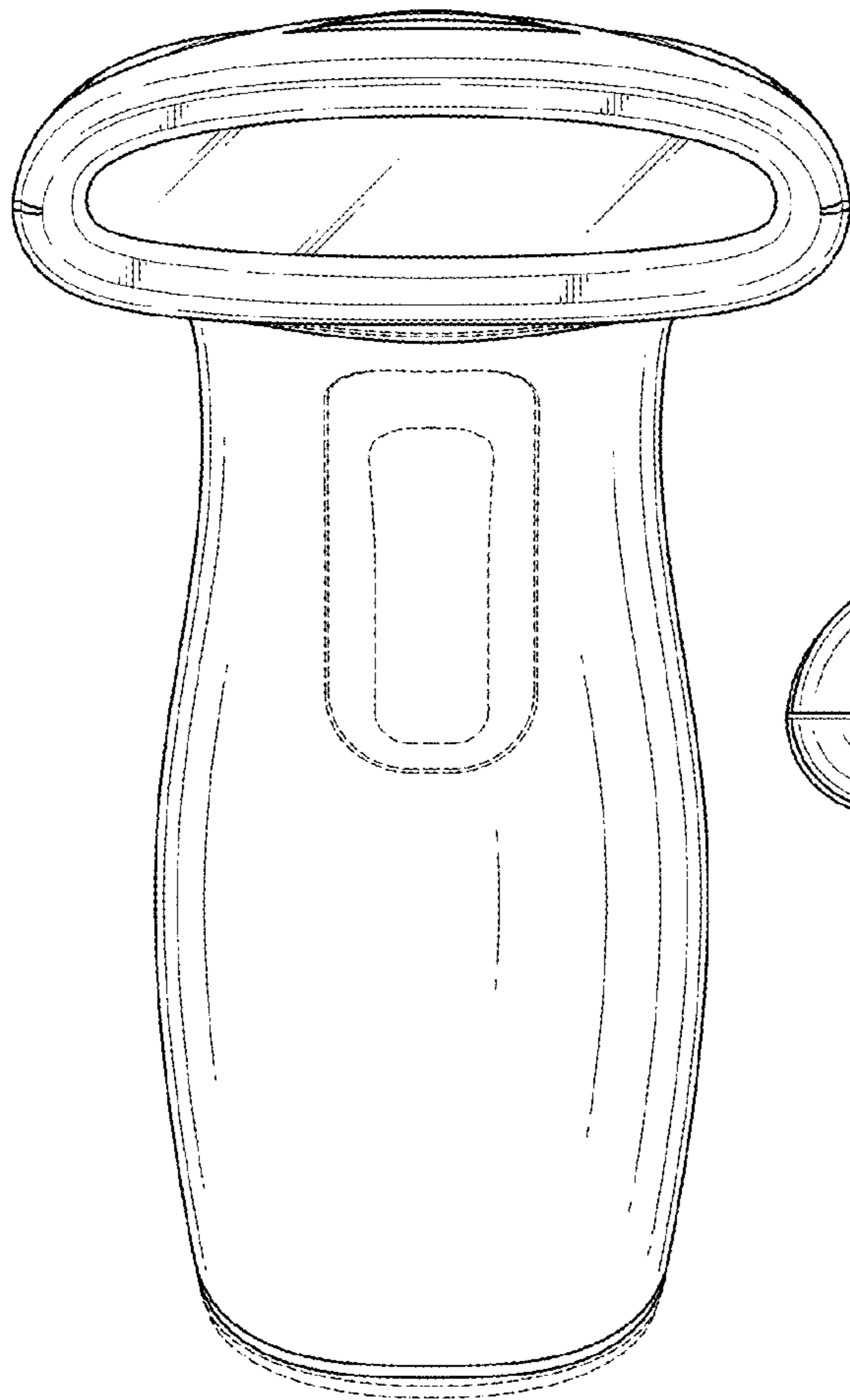


FIG. 3

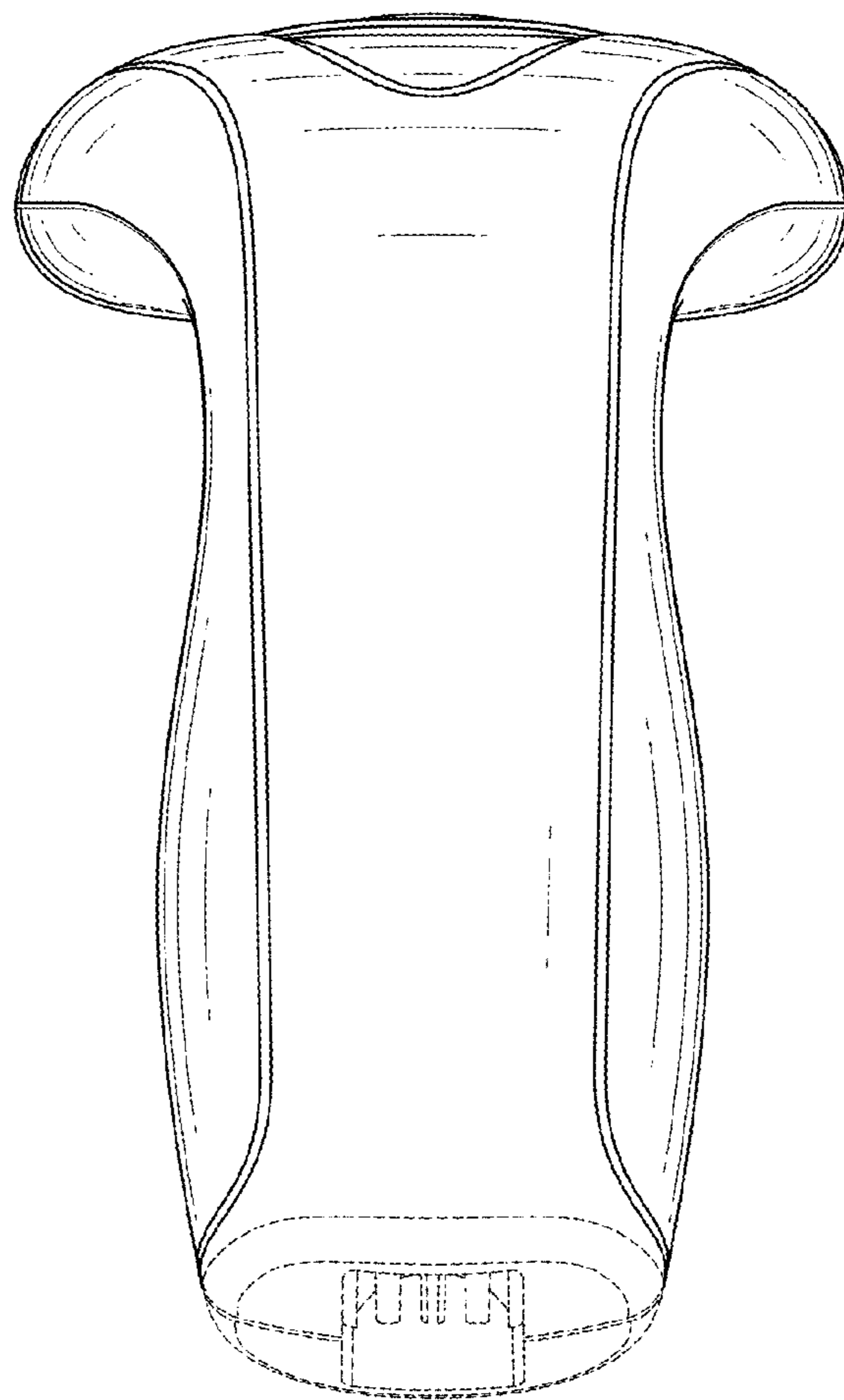
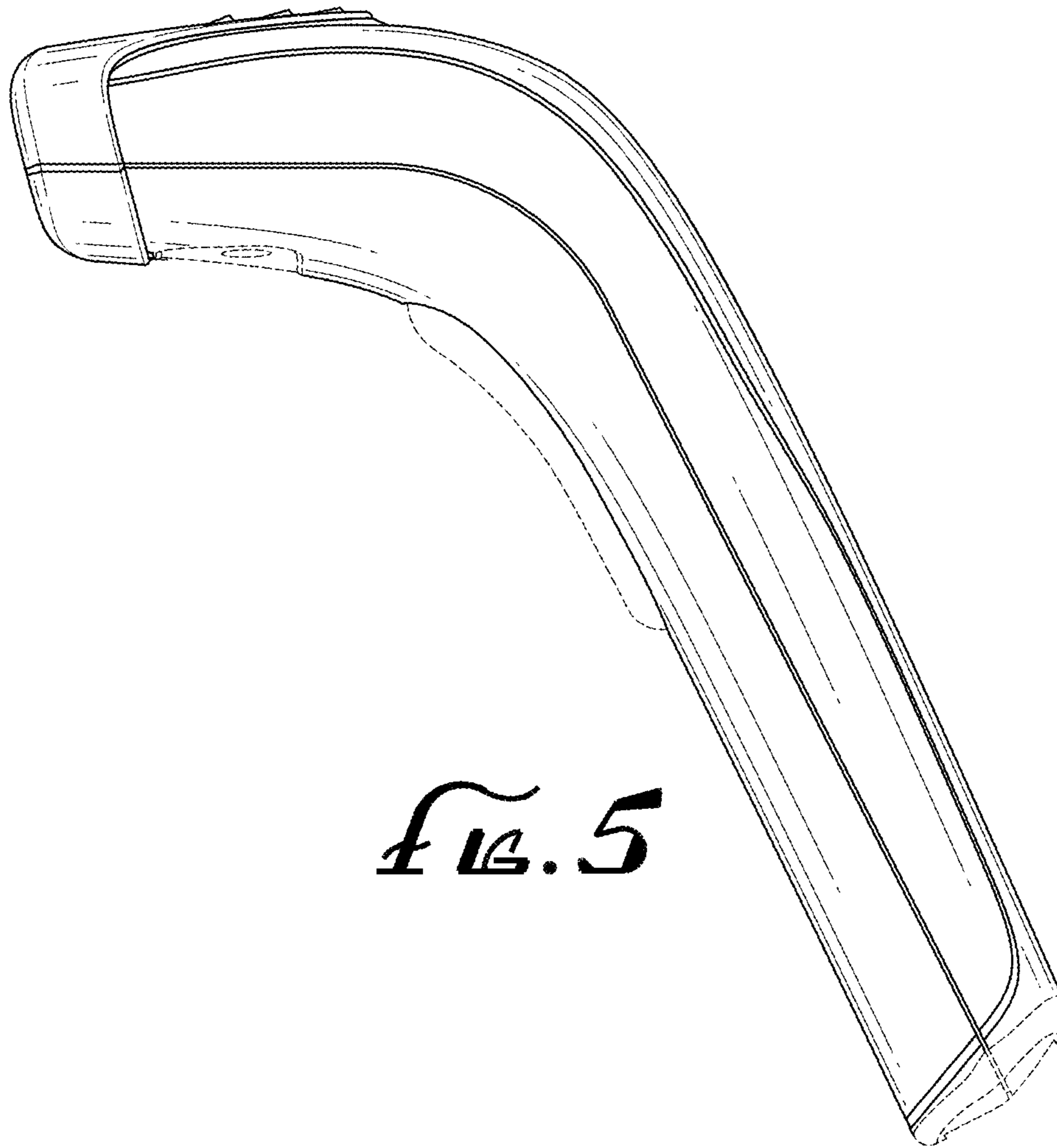


FIG. 4



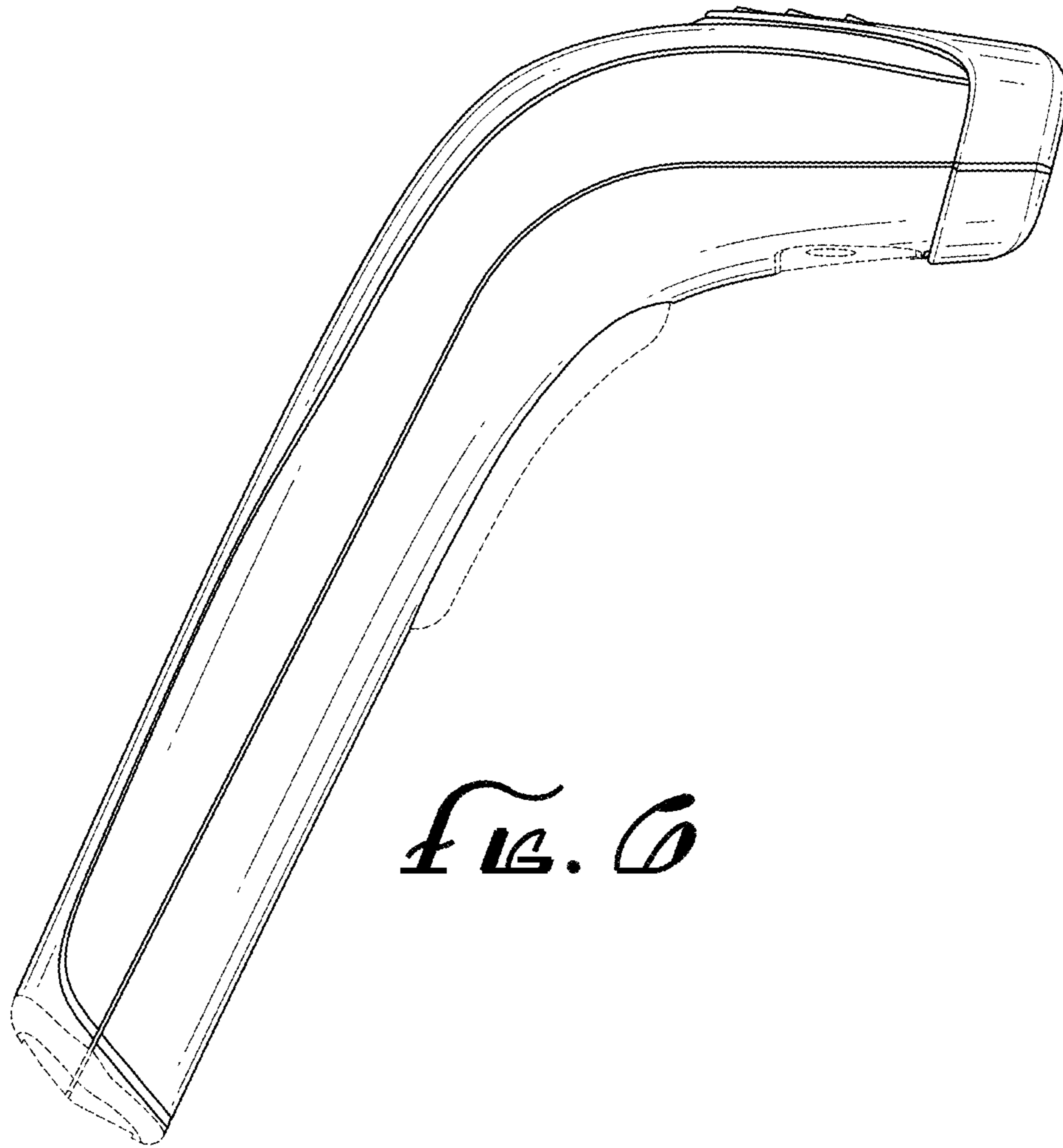


FIG. 6

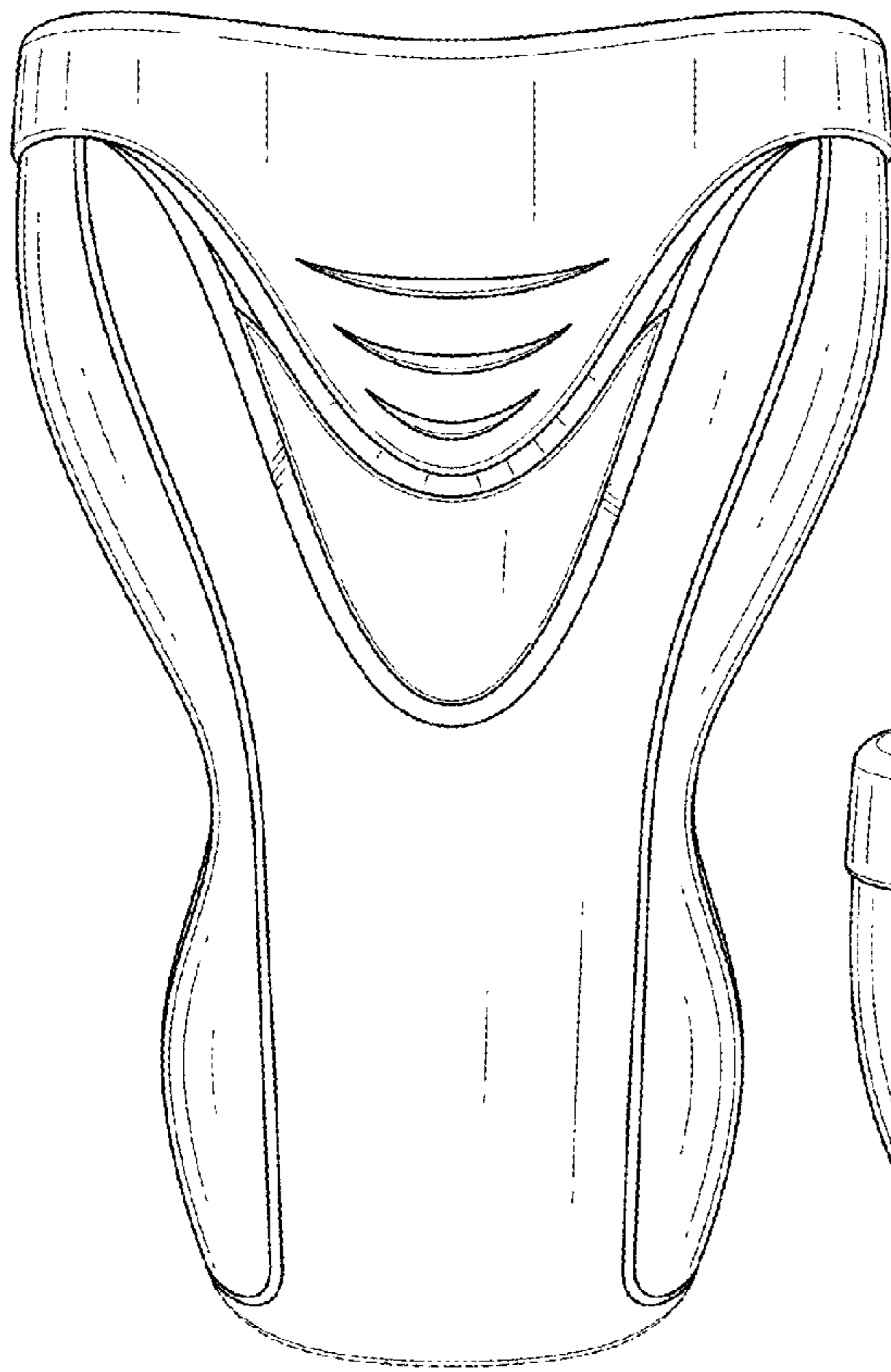


FIG. 7

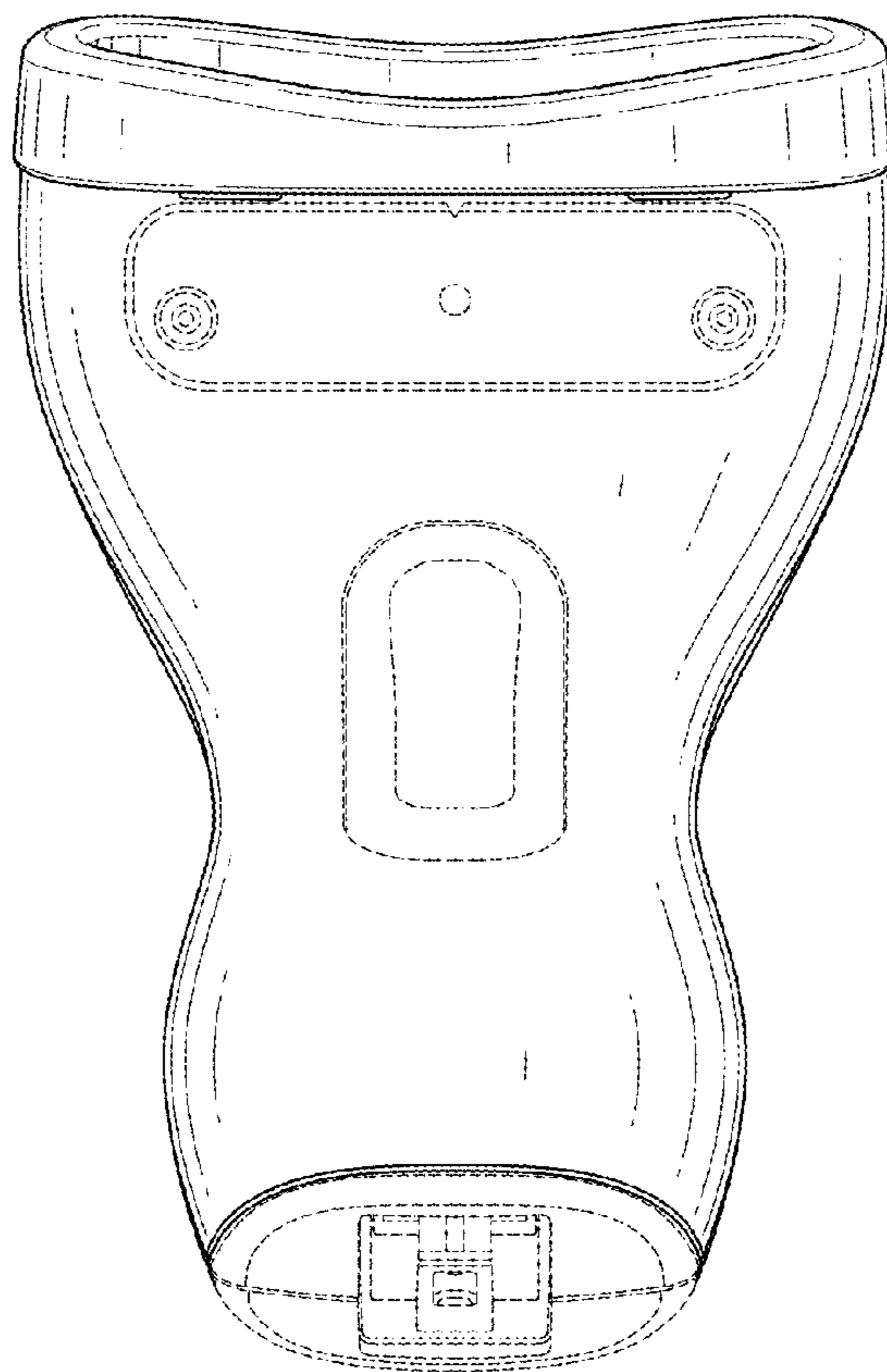


FIG. 8

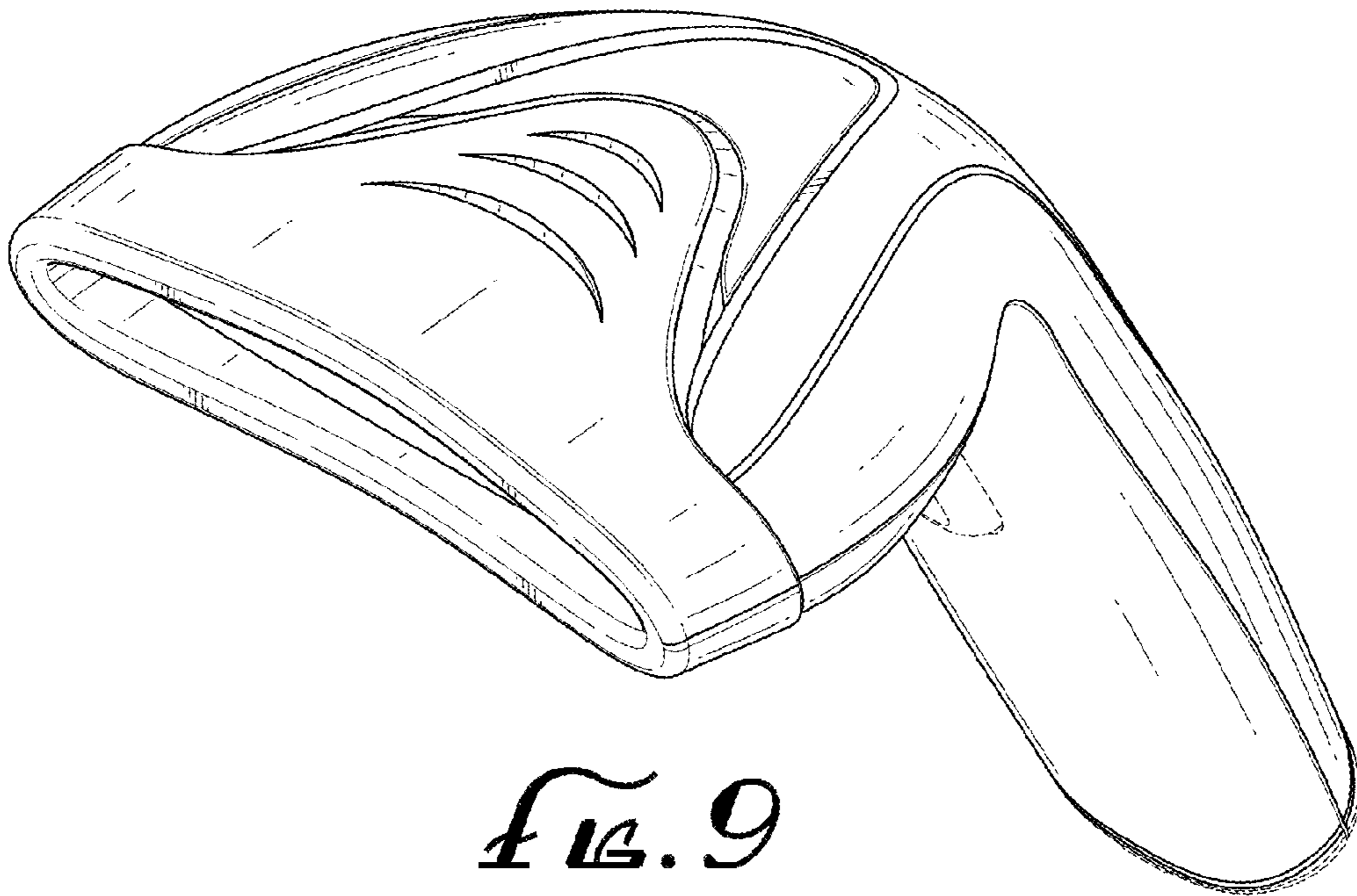


FIG. 9

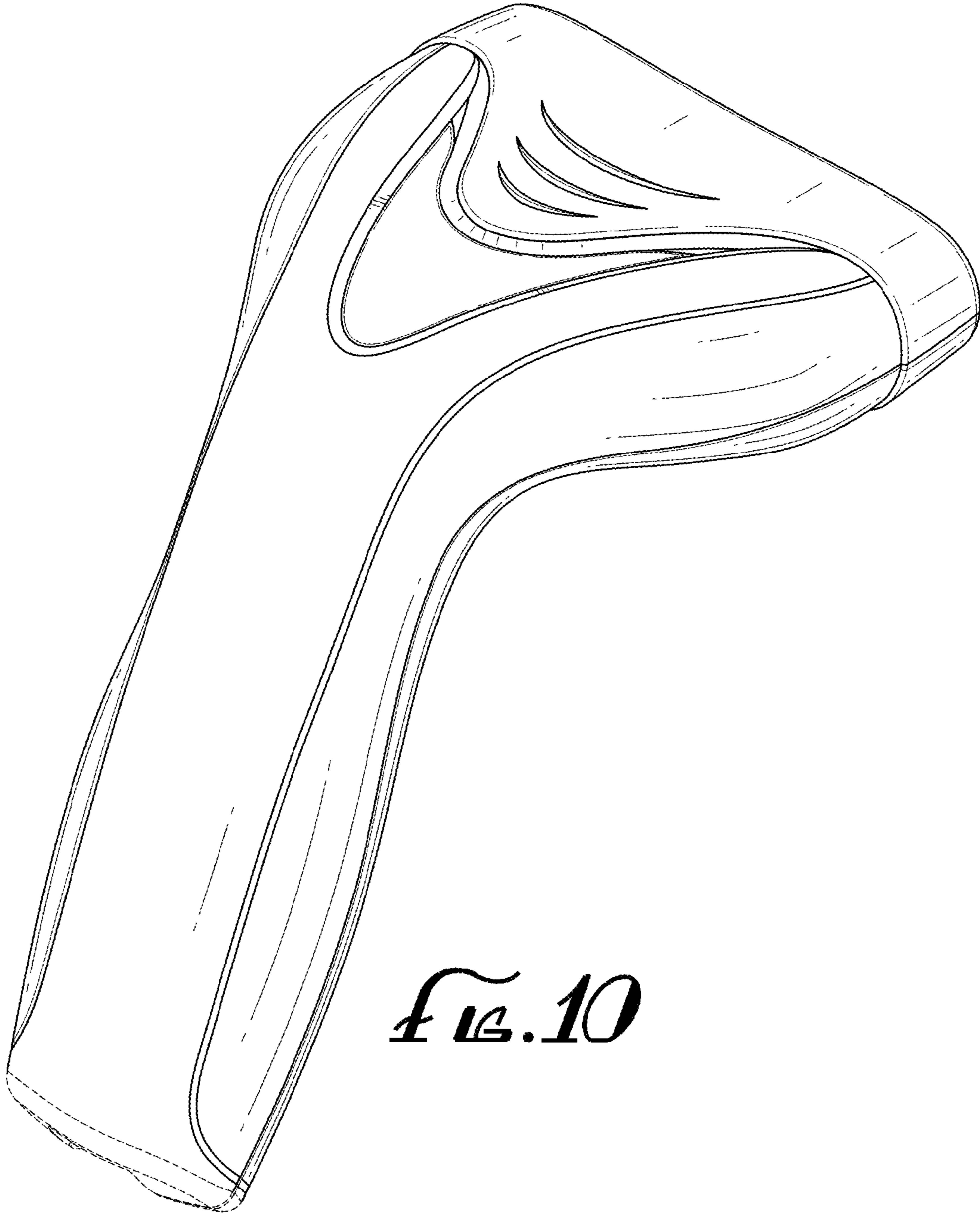


FIG. 10

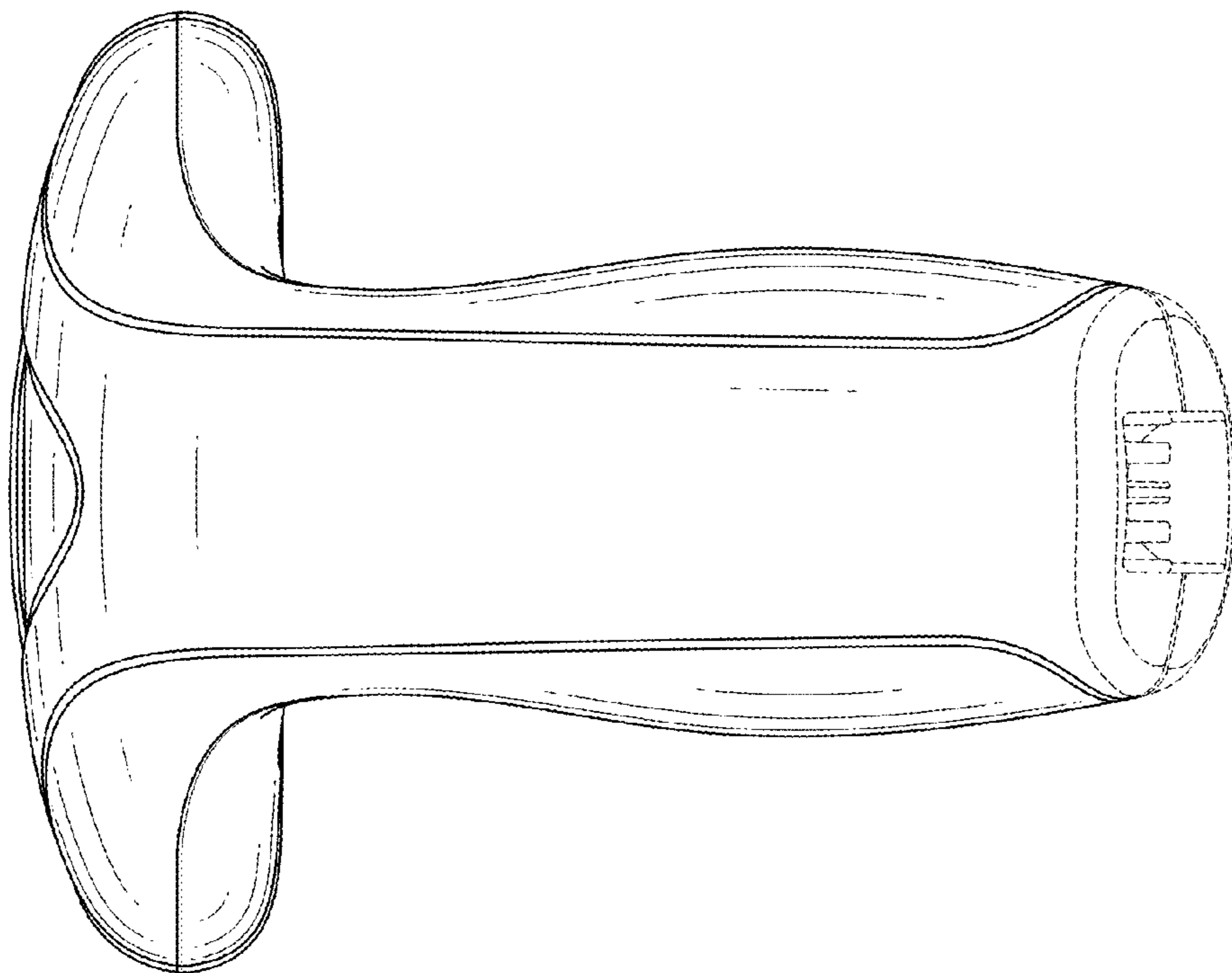


FIG. 12

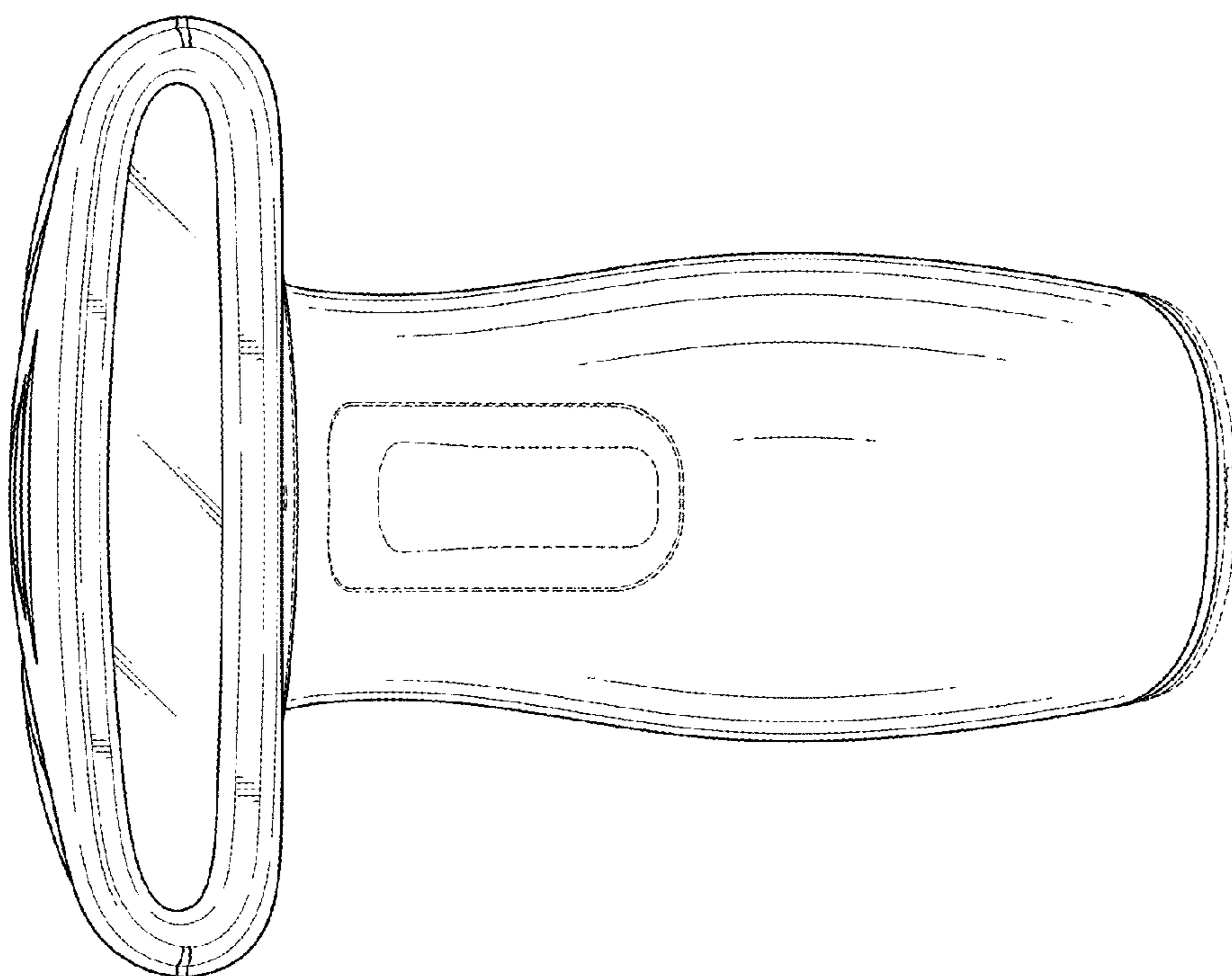


FIG. 11

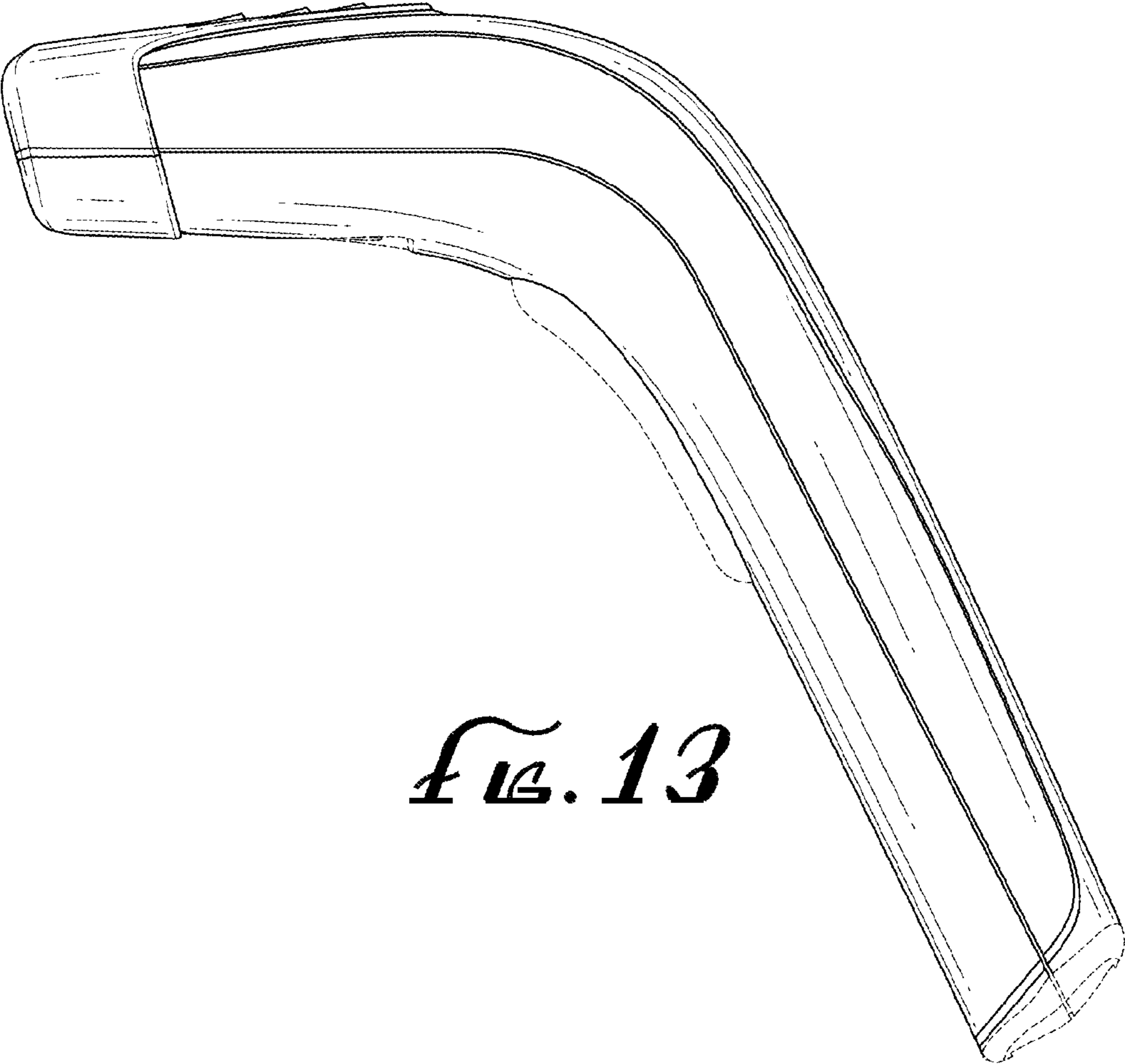


FIG. 13

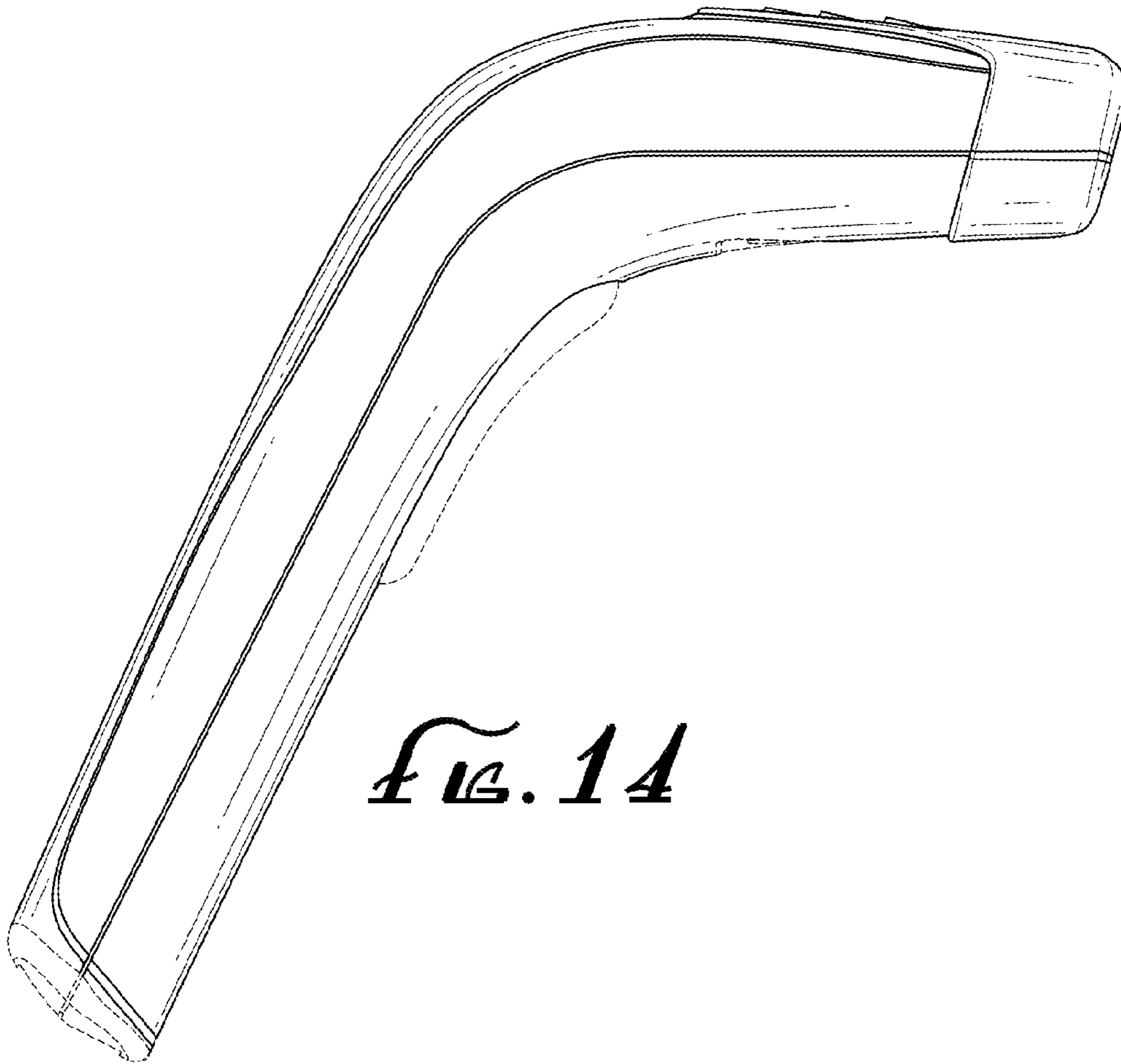


FIG. 14

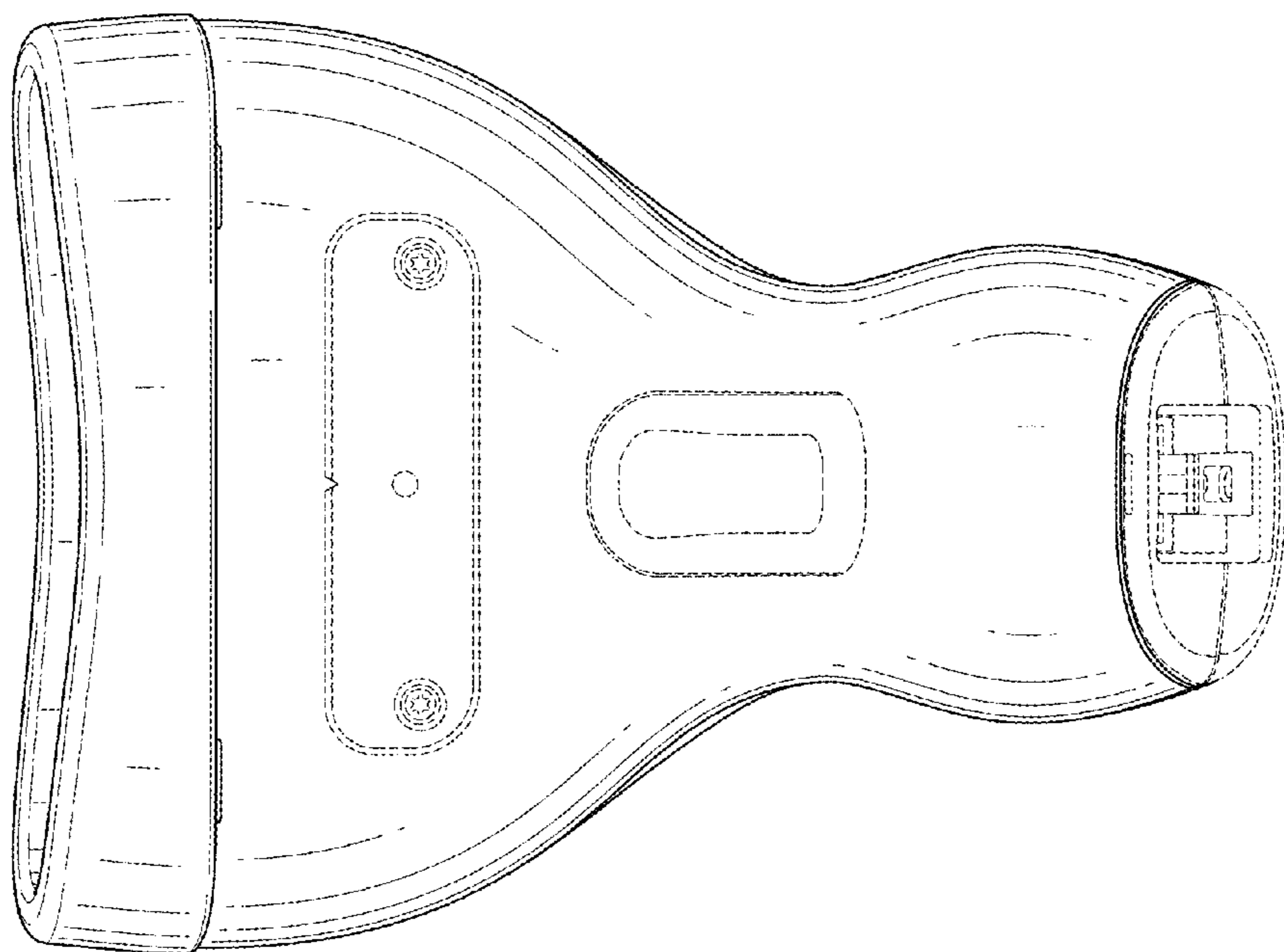


FIG. 10

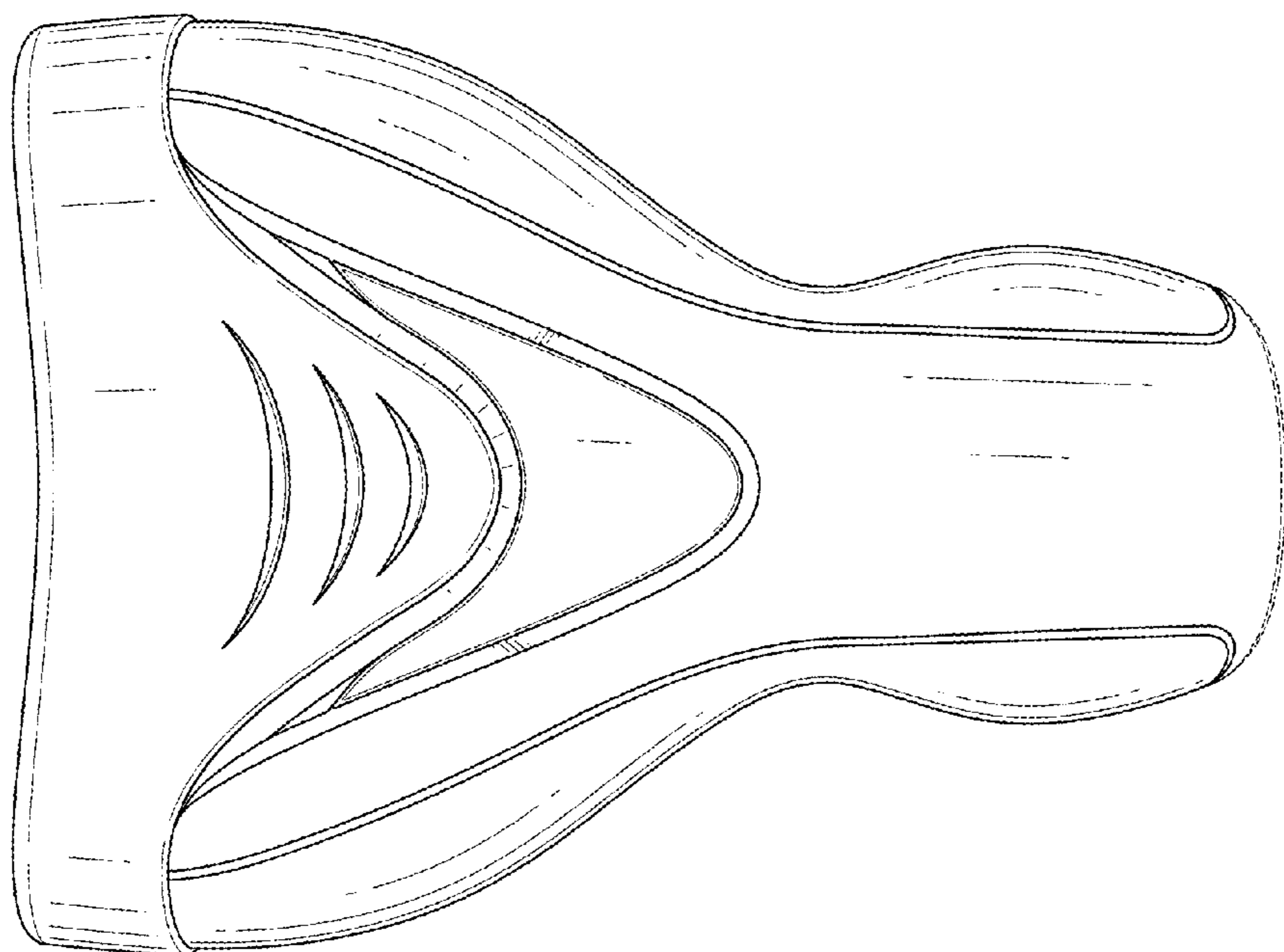


FIG. 15

UNITED STATES PATENT AND TRADEMARK OFFICE
CERTIFICATE OF CORRECTION

PATENT NO. : D692,892 S
APPLICATION NO. : 29/424456
DATED : November 5, 2013
INVENTOR(S) : Joseph G. Mistkawi

Page 1 of 1

It is certified that error appears in the above-identified patent and that said Letters Patent is hereby corrected as shown below:

On the title page under "Description", after "Fig. 2", insert --is a--.

On the title page under "Description", after "Fig. 10", insert --is a--.

Signed and Sealed this
Eighteenth Day of November, 2014



Michelle K. Lee
Deputy Director of the United States Patent and Trademark Office