



US00D692891S

(12) **United States Design Patent**
Kuroda et al.

(10) **Patent No.:** **US D692,891 S**
(45) **Date of Patent:** **** Nov. 5, 2013**

(54) **SCANNER**

(71) Applicant: **PFU Limited**, Kahoku (JP)
(72) Inventors: **Satoshi Kuroda**, Kahoku (JP); **Shuji Hashimoto**, Kanazawa (JP); **Ryoichi Yasukawa**, Kahoku (JP)

(73) Assignee: **PFU Limited**, Ishikawa (JP)

(**) Term: **14 Years**

(21) Appl. No.: **29/444,308**

(22) Filed: **Jan. 29, 2013**

(30) **Foreign Application Priority Data**

Dec. 12, 2012 (JP) 2012-030361

(51) **LOC (9) Cl.** **14-02**

(52) **U.S. Cl.**
USPC **D14/422**

(58) **Field of Classification Search**

USPC D14/420, 422, 425, 462-470, 424, 389, D14/125, 399; D18/54, 55, 50, 53, 36-39, D18/14, 18-21, 49, 46, 52, 56, 51, 54.4; D13/164, 168; 358/400, 401, 448, 474, 358/486-488, 496, 497, 494, 473, 302, 468, 358/498; 382/312, 317, 321, 315; 400/613, 400/613.1-613.4, 690.1-690.4, 691-694, 400/88, 175; 399/107, 379, 380, 211, 212; 235/462.11, 462.41, 472.01, 470, 235/462.43; 361/680, 681; 378/177, 187, 378/188; 101/93.4, 269; 355/78; D24/165, D24/169, 186; 600/502, 503, 499, 494, 490, 600/485, 500, 492, 480, 493, 495, 479; 128/900; 16/286; 347/104, 109, 5; 271/186, 225, 126, 121, 137, 138

See application file for complete search history.

(56) **References Cited**

U.S. PATENT DOCUMENTS

D258,959 S * 4/1981 Clayton et al. D18/54
D277,133 S * 1/1985 Houlihan D24/165
D286,437 S * 10/1986 Nishibori D24/165
D292,976 S * 12/1987 Kando D14/466
D304,722 S * 11/1989 Hashimoto et al. D14/467
D315,361 S * 3/1991 Kojima et al. D18/55
D316,869 S * 5/1991 Sugawara et al. D18/54
D318,066 S * 7/1991 Moro D18/54
D326,678 S * 6/1992 Uchibori et al. D18/55
D337,608 S * 7/1993 Miyamoto D18/55
D343,636 S * 1/1994 Horie et al. D18/55
D350,364 S * 9/1994 Kawashima et al. D18/50

(Continued)

OTHER PUBLICATIONS

Design U.S. Appl. No. 29/444,310, filed Jan. 29, 2013 by Satoshi Kuroda et al.

(Continued)

Primary Examiner — Susan Moon Lee

(74) *Attorney, Agent, or Firm* — RatnerPrestia

(57) **CLAIM**

The ornamental design for a scanner, as shown and described.

DESCRIPTION

FIG. 1 is a front perspective view of a scanner showing our new design;

FIG. 2 is a front view thereof;

FIG. 3 is a rear view thereof;

FIG. 4 is a right side view thereof;

FIG. 5 is a left side view thereof;

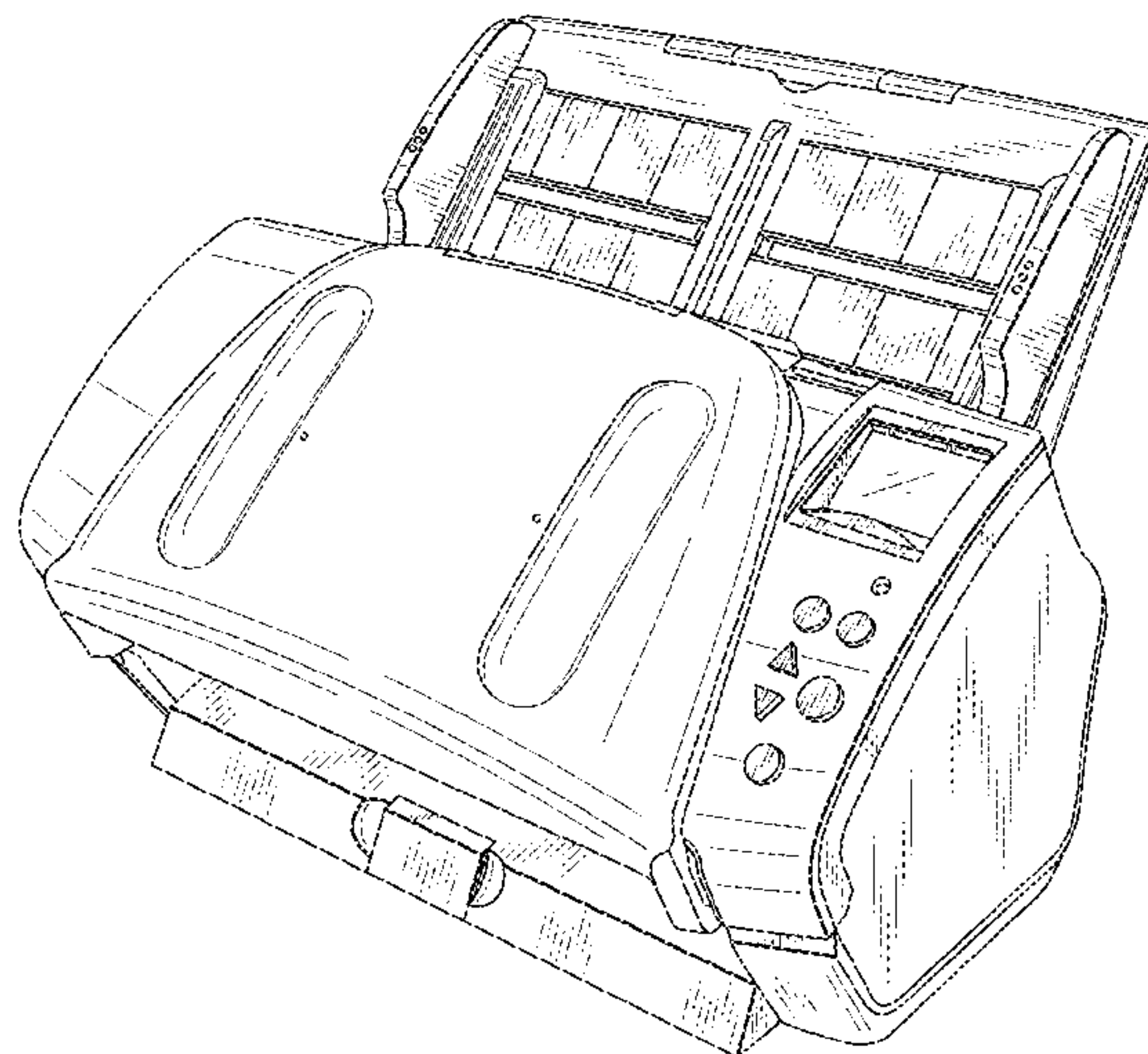
FIG. 6 is a top plan view thereof;

FIG. 7 is a bottom plan view thereof; and,

FIG. 8 is perspective view of the scanner with a catch tray closed.

The broken lines and portions contained within broken line are not claimed.

1 Claim, 6 Drawing Sheets



(56)

References Cited

U.S. PATENT DOCUMENTS

- D371,158 S * 6/1996 Yoshida D18/50
D373,595 S * 9/1996 Askren et al. D18/50
D375,119 S * 10/1996 Pangburn D18/50
D378,378 S * 3/1997 Nakazawa et al. D18/54
D379,469 S * 5/1997 Nobata D18/50
D382,256 S * 8/1997 Lin D14/422
D382,583 S * 8/1997 Takahashi et al. D18/55
D388,405 S * 12/1997 Lin D14/422
D390,258 S * 2/1998 Kawahara et al. D18/55
D390,595 S * 2/1998 Sekine D18/54
D390,597 S * 2/1998 Igarashi et al. D18/55
D392,311 S * 3/1998 Takano D18/50
D393,870 S * 4/1998 Kobayashi et al. D18/55
D394,452 S * 5/1998 Iwamoto et al. D18/54
D395,332 S * 6/1998 Leong et al. D18/55
D397,096 S * 8/1998 Chen et al. D14/422
D399,524 S * 10/1998 Nakajima D18/50
D400,918 S * 11/1998 Kobayashi et al. D18/55
D401,271 S * 11/1998 Nakajima D18/55
D401,965 S * 12/1998 Pangburn D18/55
5,893,822 A * 4/1999 Deni et al. 53/512
5,896,206 A * 4/1999 Kellogg 358/498
D413,142 S * 8/1999 Pangburn D18/55
D414,508 S * 9/1999 Pangburn D18/55
D419,591 S * 1/2000 Pangburn D18/55
D421,768 S * 3/2000 Blair et al. D18/50
D422,570 S * 4/2000 Kobayashi D14/509
D423,563 S * 4/2000 Collins et al. D18/55
D424,099 S * 5/2000 Pangburn D18/50
D424,102 S * 5/2000 Igarashi D18/54
D424,609 S * 5/2000 Inoue et al. D18/54
D430,598 S * 9/2000 Gerstein et al. D18/55
D430,894 S * 9/2000 Inoue D18/54
D432,164 S * 10/2000 Benedetto D18/55
D432,565 S * 10/2000 Gassett et al. D18/55
D433,442 S * 11/2000 Clark, III D18/55
D433,443 S * 11/2000 Ito et al. D18/55
D435,266 S * 12/2000 Sekine et al. D18/55
D435,267 S * 12/2000 Beck et al. D18/55
D438,894 S * 3/2001 Bishop et al. D18/55
D438,895 S * 3/2001 Pangburn D18/55
D439,272 S * 3/2001 Kobayashi et al. D18/50
D439,274 S * 3/2001 Dwyer et al. D18/55
D439,275 S * 3/2001 Ohashi D18/55
D439,607 S * 3/2001 Inoue et al. D18/54
D439,608 S * 3/2001 Gassett et al. D18/55
D441,783 S * 5/2001 Kawahara et al. D18/55
D442,218 S * 5/2001 Kobayashi et al. D18/55
6,231,043 B1 * 5/2001 James et al. 271/209
D443,878 S * 6/2001 Sakata et al. D14/422
D444,812 S * 7/2001 Toh et al. D18/55
D444,813 S * 7/2001 Quijano D18/55
D445,451 S * 7/2001 Clark et al. D18/55
D446,306 S * 8/2001 Ochi et al. D24/186
D449,066 S * 10/2001 Dwyer et al. D18/55
D449,067 S * 10/2001 Kobayashi et al. D18/55
D449,334 S * 10/2001 Dwyer et al. D18/55
D450,345 S * 11/2001 Miyazaki D18/50
D451,540 S * 12/2001 Tokuda et al. D18/55
D452,706 S * 1/2002 Senshiki D18/55
D453,352 S * 2/2002 Yamano et al. D18/55
D454,583 S * 3/2002 Whitby et al. D18/50
D456,445 S * 4/2002 Kusanagi D18/55
D459,389 S * 6/2002 Kaseno D18/50
D460,479 S * 7/2002 Bishop et al. D18/55
D463,485 S * 9/2002 Yoshida et al. D18/50
D465,515 S * 11/2002 Hwang et al. D18/55
D466,552 S * 12/2002 Hwang et al. D18/55
D466,920 S * 12/2002 Kawahara et al. D18/50
D466,922 S * 12/2002 Tashiro D18/54
D468,765 S * 1/2003 Kobayashi et al. D18/55
D470,172 S * 2/2003 Tatara et al. D18/55
6,540,219 B1 * 4/2003 Naruse et al. 271/37
D474,501 S * 5/2003 Hayashi D18/55
D474,770 S * 5/2003 Chujou et al. D14/425
D475,052 S * 5/2003 Chujou et al. D14/422
6,557,992 B1 * 5/2003 Dwyer et al. 347/108
6,568,674 B2 * 5/2003 Matsuda 271/274
D478,119 S * 8/2003 Hwang et al. D18/55
D478,618 S * 8/2003 Obara D18/54
D478,620 S * 8/2003 Cheng D18/55
D480,752 S * 10/2003 Tatara et al. D18/55
D482,387 S * 11/2003 Tatara et al. D18/55
D483,059 S * 12/2003 Goh et al. D18/50
6,661,543 B1 * 12/2003 Morita 358/498
6,676,318 B2 * 1/2004 Hwang et al. 400/693
6,707,584 B1 * 3/2004 Morita 358/498
D489,084 S * 4/2004 Tashiro et al. D18/54
D489,401 S * 5/2004 Senshiki et al. D18/54
D489,754 S * 5/2004 Akahane et al. D18/55
D489,755 S * 5/2004 Wong et al. D18/55
D492,960 S * 7/2004 Takizawa D18/54
6,786,665 B2 * 9/2004 Hwang et al. 400/693
D497,940 S * 11/2004 Hwang et al. D18/50
D498,786 S * 11/2004 Suzuki et al. D18/55
D499,759 S * 12/2004 Kobayashi et al. D18/55
6,848,685 B2 * 2/2005 Katsuyama 271/162
6,899,422 B2 * 5/2005 Strowe et al. 347/108
6,899,474 B2 * 5/2005 Uchida et al. 400/27
D514,161 S * 1/2006 Wong et al. D18/55
6,991,331 B2 * 1/2006 Kagami et al. 347/108
D515,623 S * 2/2006 Hattori D18/55
D516,120 S * 2/2006 Yamano et al. D18/55
D516,621 S * 3/2006 Kobayashi et al. D18/55
D518,826 S * 4/2006 Chujou et al. D14/422
7,029,113 B2 * 4/2006 Hwang 347/108
D523,469 S * 6/2006 Hwang et al. D18/50
D524,851 S * 7/2006 Wong et al. D18/55
D530,739 S * 10/2006 Tsai D18/55
7,134,259 B2 * 11/2006 Huang 53/512
D533,897 S * 12/2006 Workman et al. D18/34.3
D534,204 S * 12/2006 Workman et al. D18/34.3
D536,370 S * 2/2007 Smolenski et al. D18/50
D536,731 S * 2/2007 Tate et al. D18/50
D543,583 S * 5/2007 Workman et al. D18/34.3
D545,891 S * 7/2007 Ramos et al. D18/49
D549,705 S * 8/2007 Sugitani et al. D14/422
7,265,869 B2 * 9/2007 Silverbrook et al. 358/1.3
7,290,952 B2 * 11/2007 Kagami 400/693
D571,369 S * 6/2008 Sugitani et al. D14/421
D571,370 S * 6/2008 Sugitani et al. D14/422
7,431,447 B2 * 10/2008 Jensen 347/108
D579,972 S * 11/2008 Meda et al. D18/50
D583,060 S * 12/2008 Kitamura et al. D24/165
D601,259 S * 9/2009 Guthrie et al. D24/169
D609,711 S * 2/2010 Kuroda et al. D14/453
D610,146 S * 2/2010 Kuroda et al. D14/422
D610,147 S * 2/2010 Kuroda et al. D14/422
D610,148 S * 2/2010 Kuroda et al. D14/422
D610,149 S * 2/2010 Kuroda et al. D14/422
D610,150 S * 2/2010 Kuroda et al. D14/453
D610,151 S * 2/2010 Kuroda et al. D14/453
D610,154 S * 2/2010 Kuroda et al. D14/453
D610,155 S * 2/2010 Kuroda et al. D14/453
D616,889 S * 6/2010 Kuroda et al. D14/422
D619,588 S * 7/2010 Kuroda et al. D14/453
D619,589 S * 7/2010 Kuroda et al. D14/453
D631,050 S * 1/2011 Iliffe-Moon et al. D14/422
D632,295 S * 2/2011 Kuroda D14/422
D642,179 S * 7/2011 Kuroda et al. D14/422
D643,874 S * 8/2011 Kim et al. D18/55
D650,387 S * 12/2011 Iwatsu et al. D14/422
8,169,669 B2 * 5/2012 Yoshida et al. 358/471
D669,080 S * 10/2012 Iwai et al. D14/422
D669,081 S * 10/2012 Iwai et al. D14/422
D682,328 S * 5/2013 Day et al. D15/146
D682,329 S * 5/2013 Day et al. D15/146
2003/0030712 A1 * 2/2003 Kawaguchi et al. 347/104
2003/0063337 A1 * 4/2003 Shirai et al. 358/498
2003/0110741 A1 * 6/2003 Wang 53/512
2003/0206762 A1 * 11/2003 Hwang et al. 400/693
2004/0004642 A1 * 1/2004 Koike et al. 347/5
2004/0207144 A1 * 10/2004 Kanome et al. 271/9.01
2007/0188818 A1 * 8/2007 Westcott et al. 358/296

(56)

References Cited

U.S. PATENT DOCUMENTS

OTHER PUBLICATIONS

Design U.S. Appl. No. 29/444,312, filed Jan. 29, 2013 by Motoshi Shibuya et al.

Design U.S. Appl. No. 29/444,313, filed Jan. 29, 2013 by Motoshi Shibuya et al.

Notice of Allowance and Fee(s) Due dated Jun. 17, 2013, for U.S. Appl. No. 29/444,312, including Notice of References Cited.

Office Action dated Aug. 22, 2013, for U.S. Appl. No. 29/444,313, including Notice of References Cited.

* cited by examiner

Fig. 1

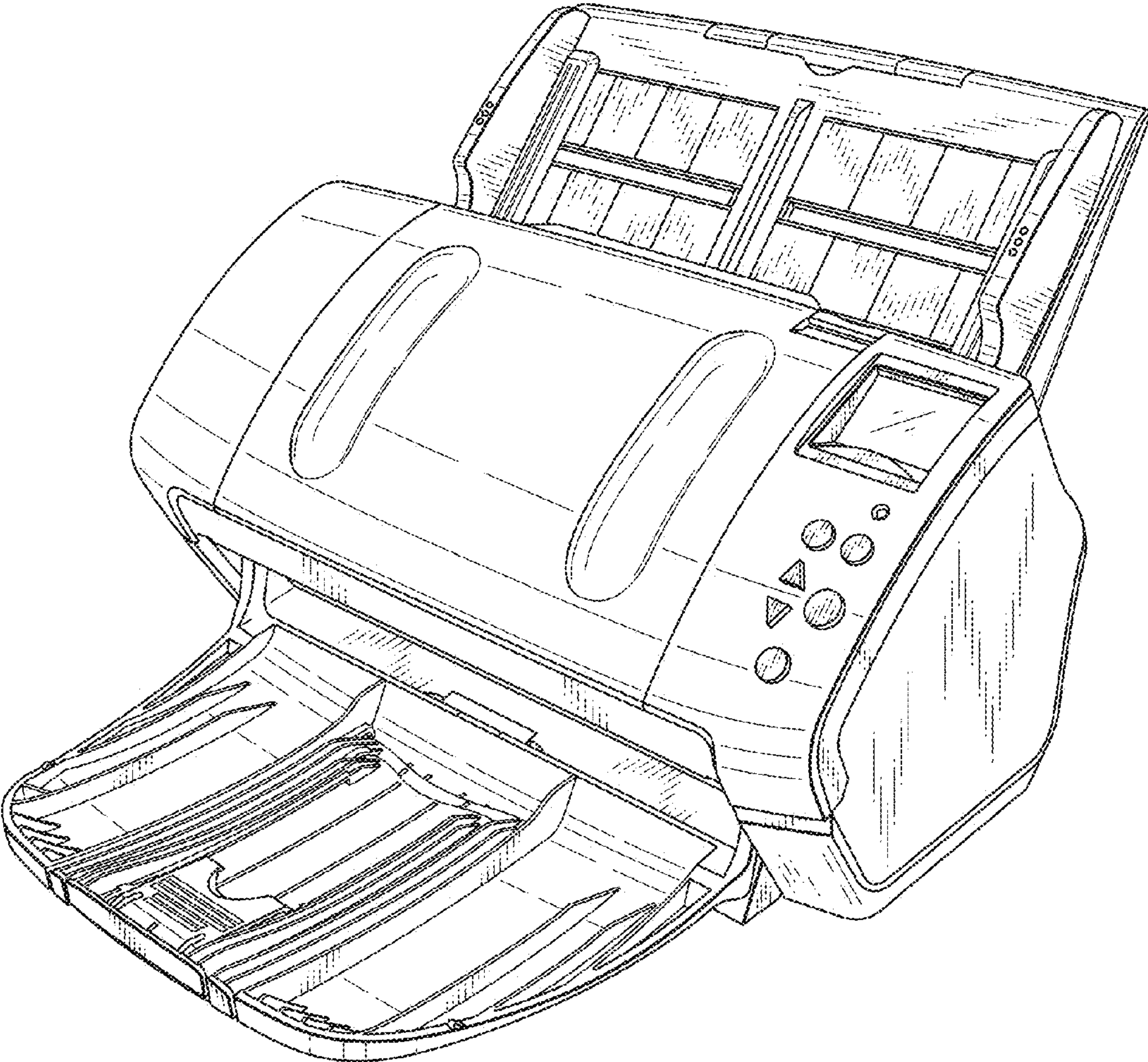


Fig.2

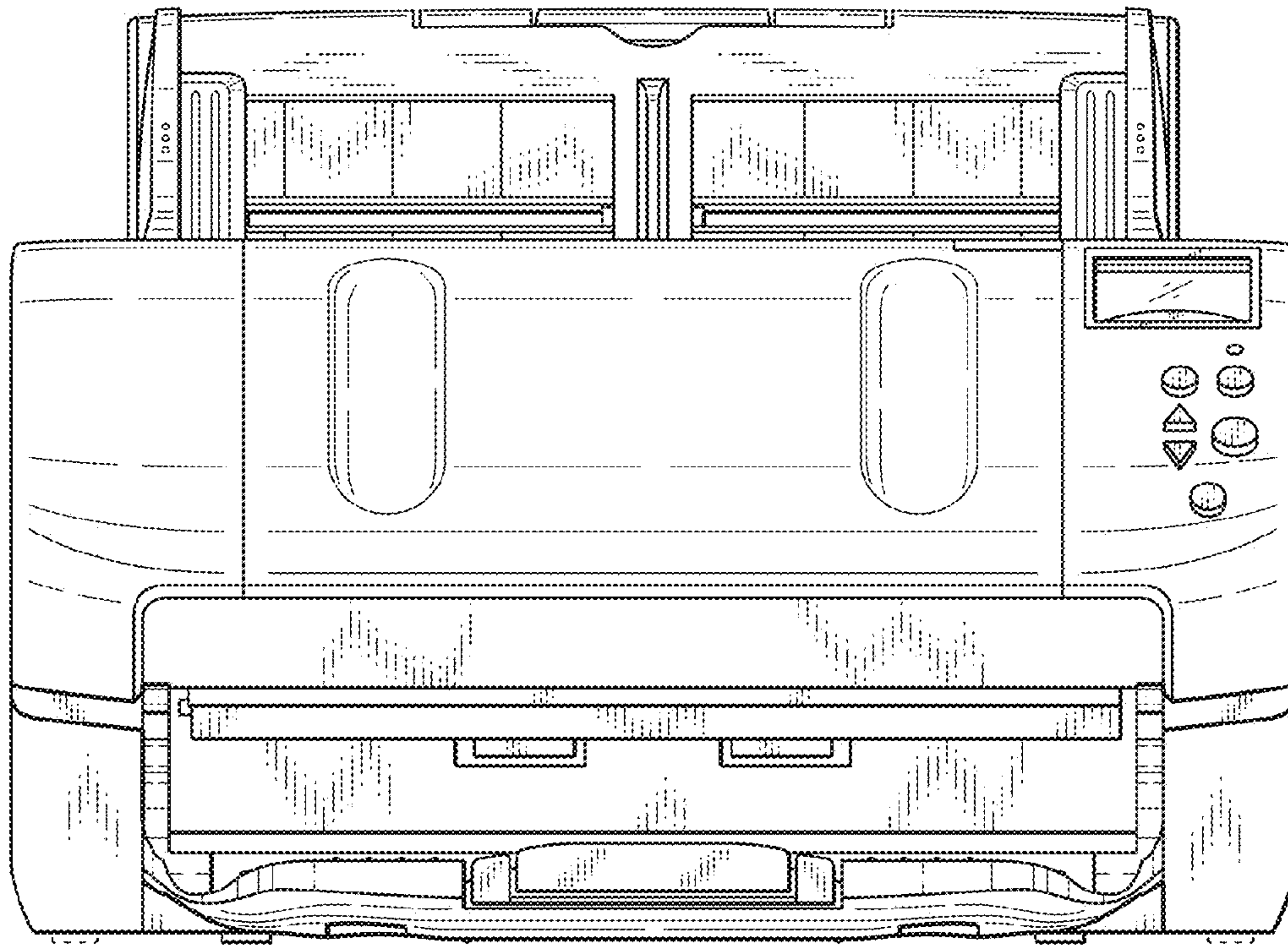


Fig.3

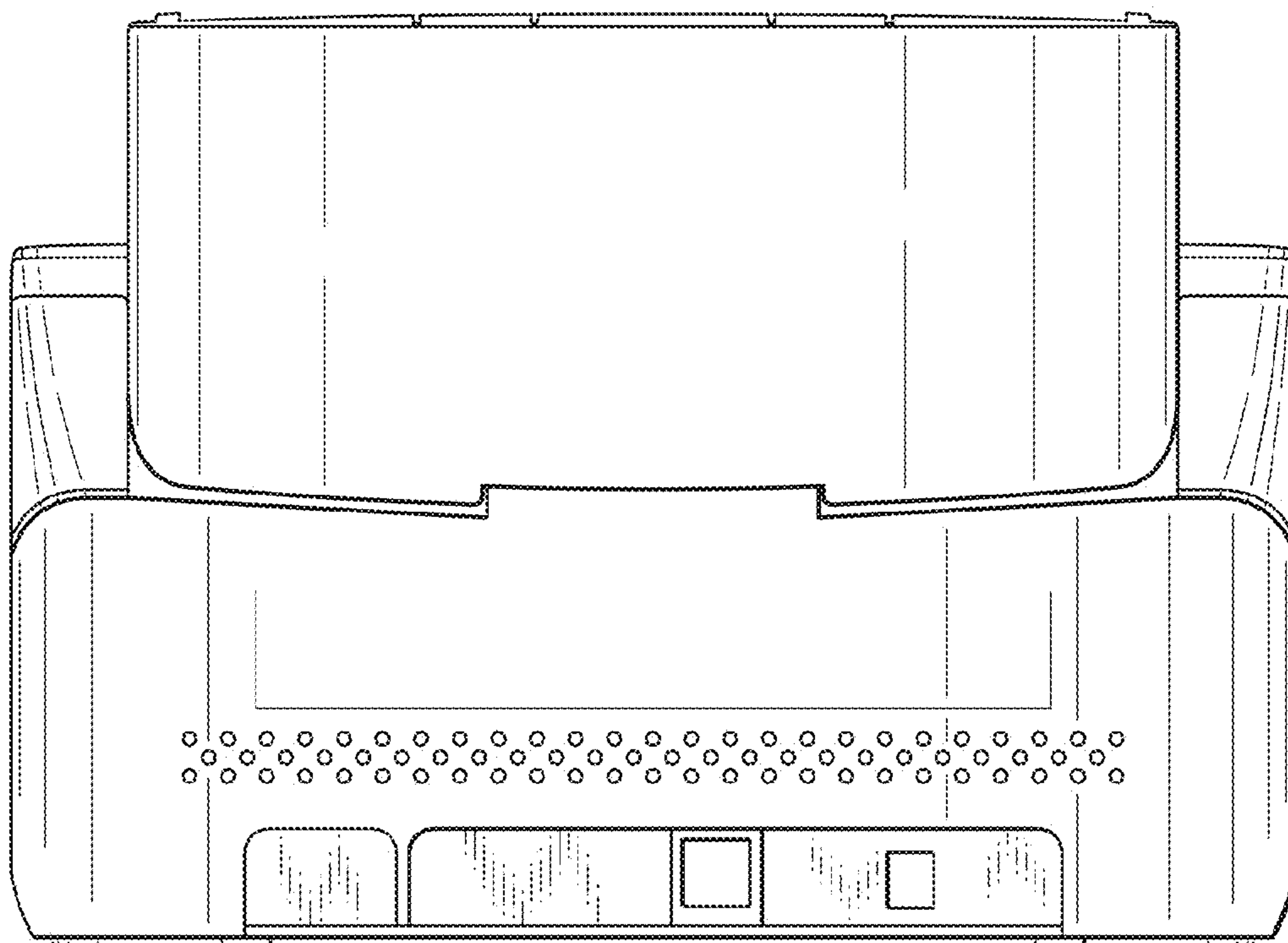


Fig.4

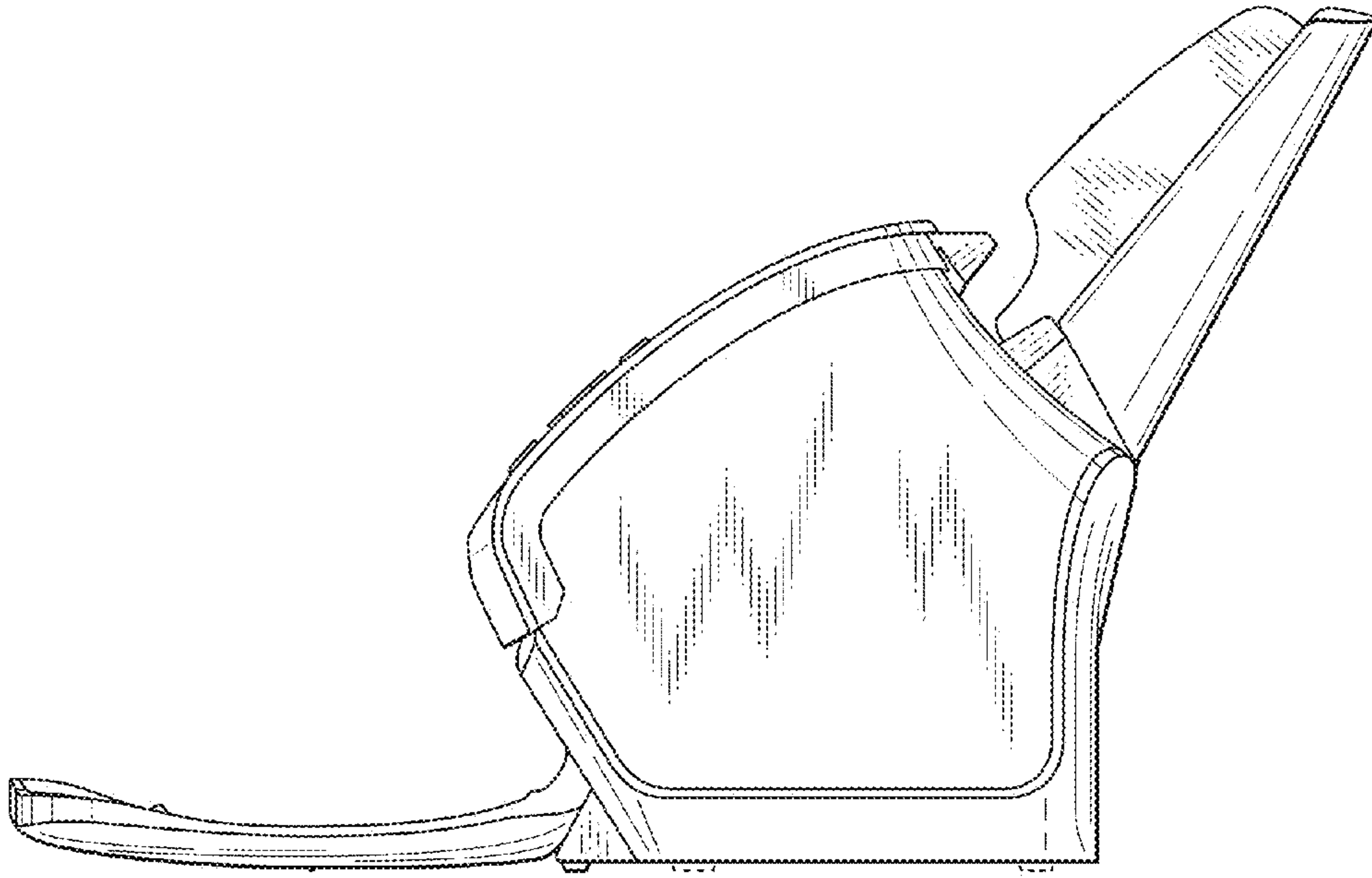


Fig.5

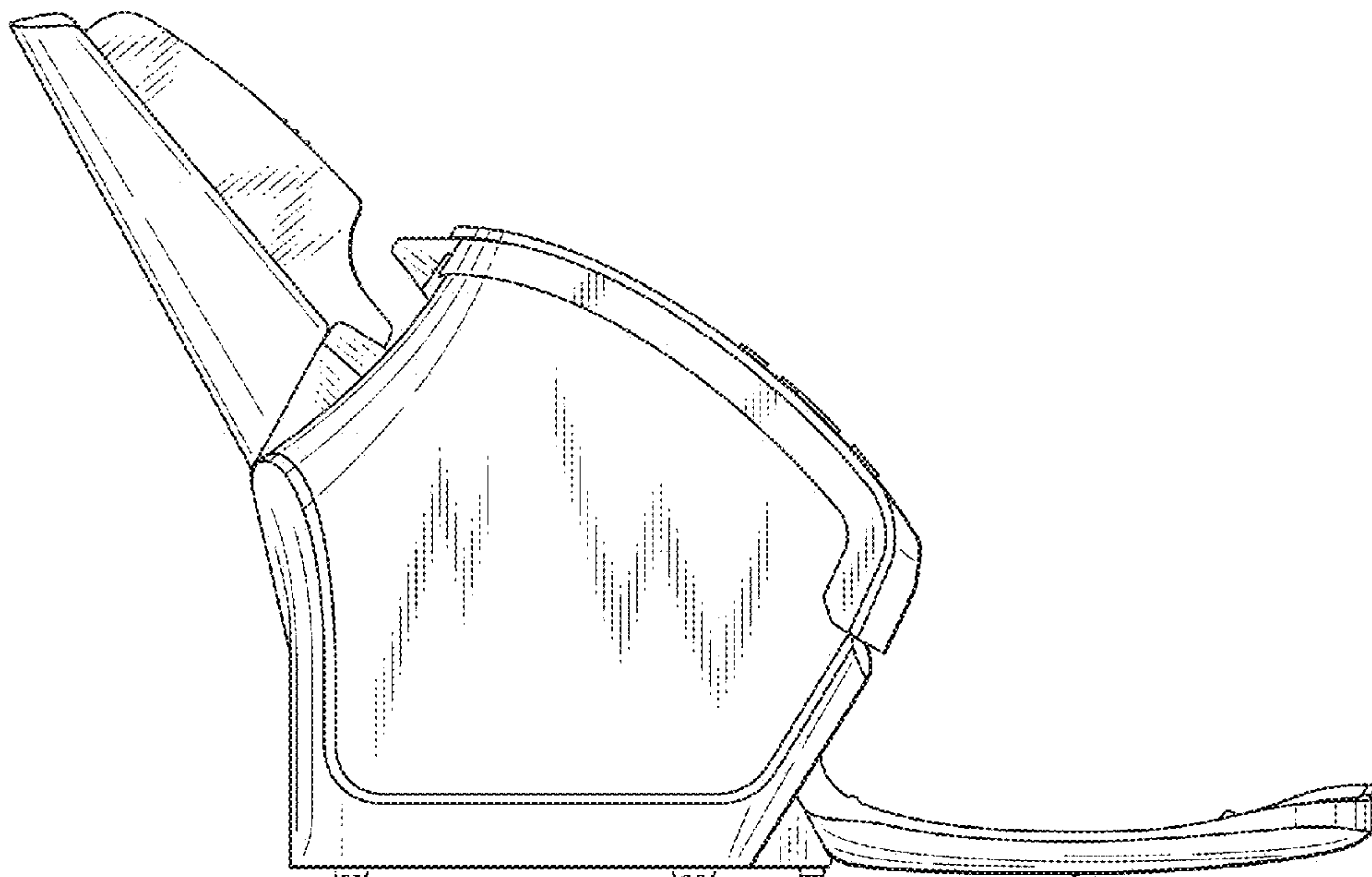


Fig.6

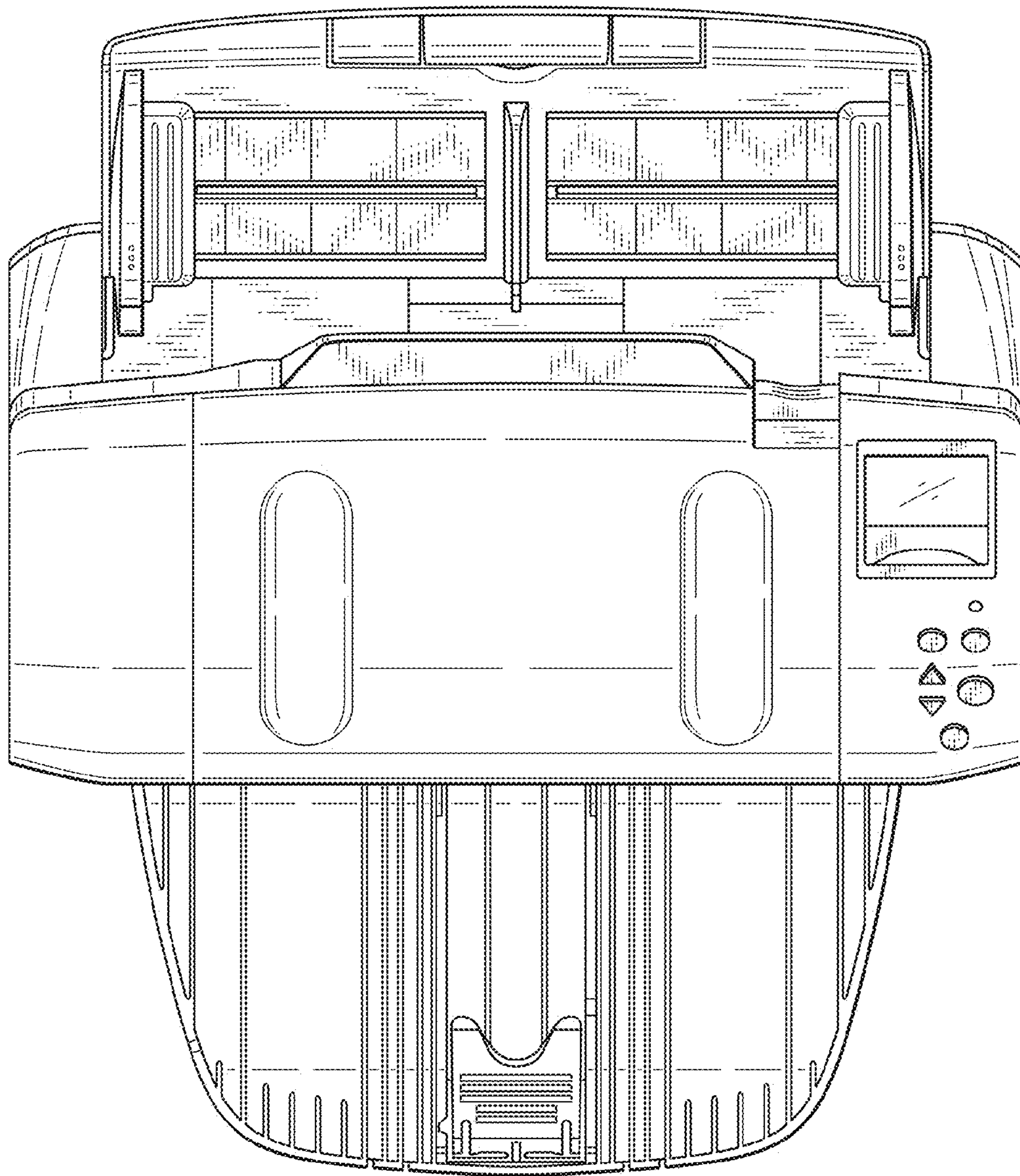


Fig.7

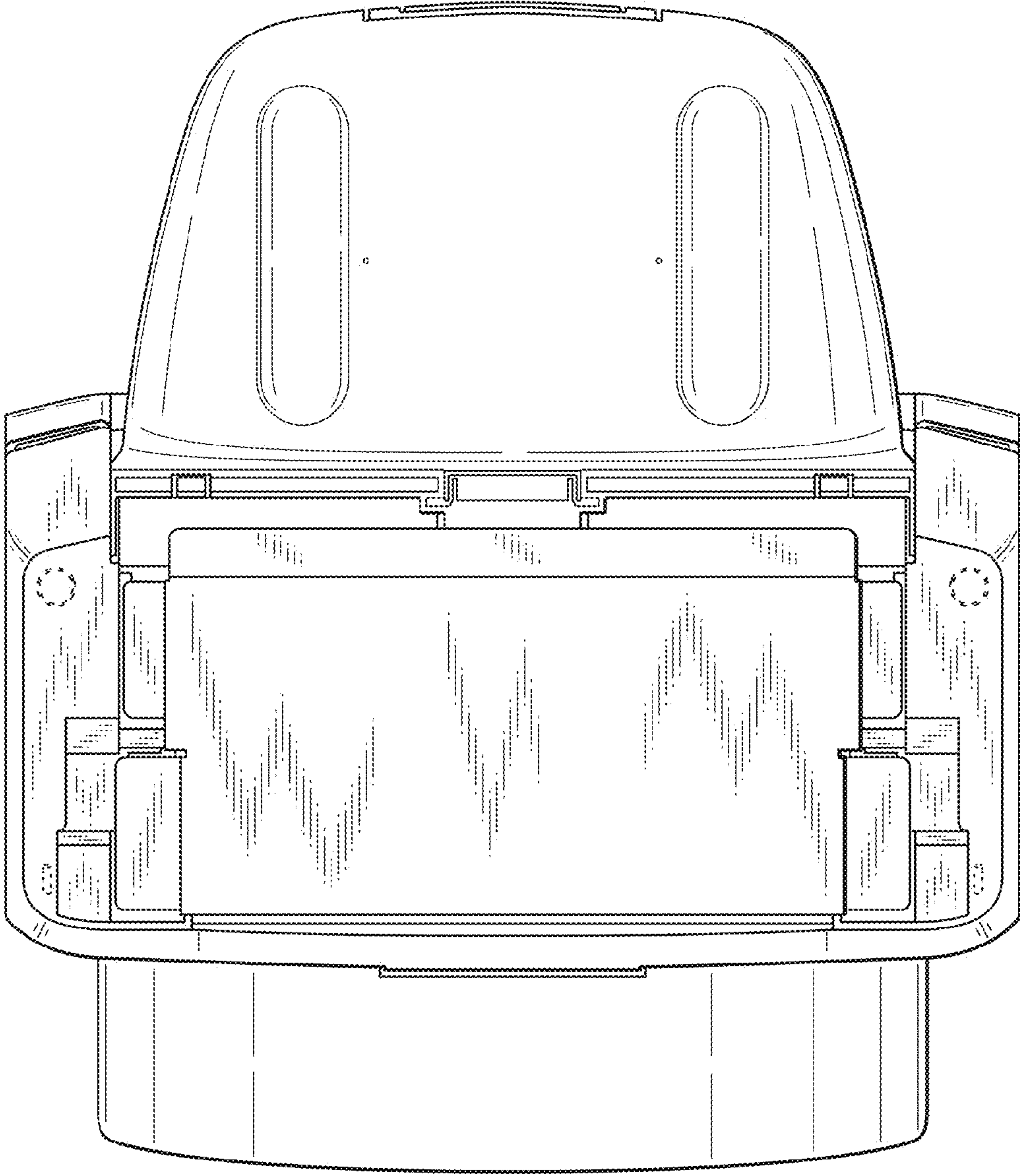


Fig.8

