

US00D692890S

(12) **United States Design Patent**
Shibuya et al.

(10) **Patent No.:** **US D692,890 S**
(45) **Date of Patent:** **** Nov. 5, 2013**

(54) **SCANNER**

(71) Applicant: **PFU Limited**, Kahoku (JP)

(72) Inventors: **Motoshi Shibuya**, Kahoku (JP); **Satoshi Kuroda**, Kahoku (JP); **Shuji Hashimoto**, Kanazawa (JP); **Ryoichi Yasukawa**, Kahoku (JP)

(73) Assignee: **PFU Limited**, Ishikawa (JP)

(**) Term: **14 Years**

(21) Appl. No.: **29/444,312**

(22) Filed: **Jan. 29, 2013**

(30) **Foreign Application Priority Data**

Dec. 12, 2012 (JP) 2012-030363

(51) **LOC (9) Cl.** **14-02**

(52) **U.S. Cl.**
USPC **D14/421**

(58) **Field of Classification Search**
USPC D14/421-425, 462-464; D18/36-39,
D18/55, 50, 54, 56, 14, 18, 19; 355/81, 75,
355/78; 399/405, 367, 379, 380; 358/497;
235/470, 462.43, 482, 483; 400/613,
400/613.1-613.14, 691-694; 101/93.4, 269
See application file for complete search history.

(56) **References Cited**

U.S. PATENT DOCUMENTS

D218,991 S * 10/1970 Allport D18/14
D351,144 S * 10/1994 Fishbine et al. D14/384
5,353,360 A * 10/1994 Obara 382/321
D371,120 S * 6/1996 Kono et al. D14/425
D372,492 S * 8/1996 Stanton D18/12.1

D375,735 S * 11/1996 Tochishita D14/144
5,628,575 A * 5/1997 Morikawa et al. 400/693
5,786,905 A * 7/1998 Kaji et al. 358/498
D415,127 S * 10/1999 Ueda D14/425
D474,770 S 5/2003 Chujou et al.
6,661,543 B1 * 12/2003 Morita 358/498
6,707,584 B1 * 3/2004 Morita 358/498
D491,950 S * 6/2004 Perry et al. D14/424
D571,369 S 6/2008 Sugitani et al.
D571,370 S * 6/2008 Sugitani et al. D14/422
D603,863 S * 11/2009 Sugitani et al. D14/421

OTHER PUBLICATIONS

Notice of Allowance and Fee(s) Due dated Jun. 17, 2013, for U.S. Appl. No. 29/444,308, including Notice of References Cited.
Office Action dated Aug. 22, 2013, for U.S. Appl. No. 29/444,313, including Notice of References Cited.

* cited by examiner

Primary Examiner — Susan Moon Lee

(74) *Attorney, Agent, or Firm* — RatnerPrestia

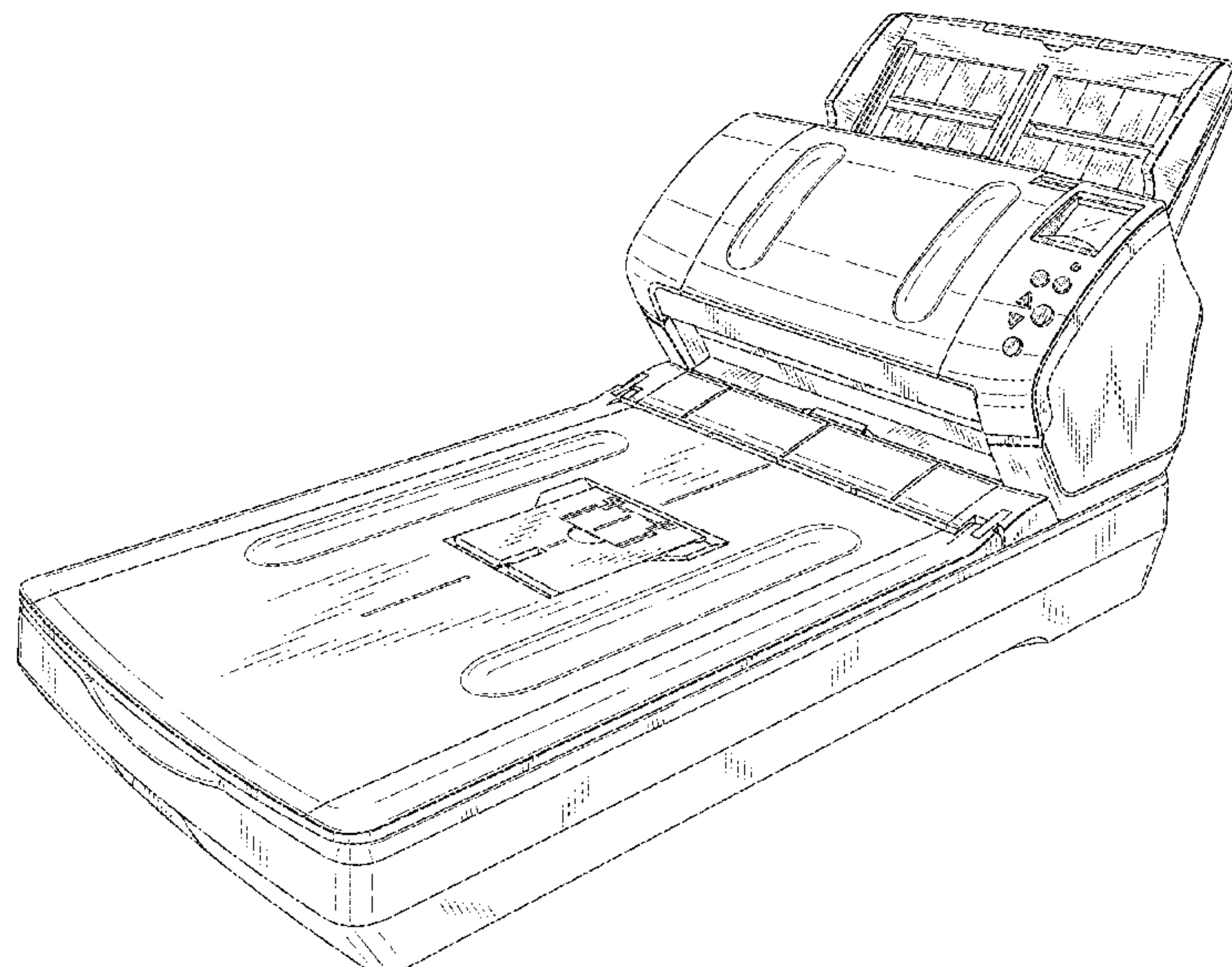
(57) **CLAIM**

The ornamental design for a scanner, as shown and described.

DESCRIPTION

FIG. 1 is a front perspective view of a scanner showing our new design;
FIG. 2 is a front view thereof;
FIG. 3 is a rear view thereof;
FIG. 4 is a right side view thereof;
FIG. 5 is a left side view thereof;
FIG. 6 is a top plan view thereof; and,
FIG. 7 is a bottom plan view thereof.
Broken lines and portions contained within broken line are not claimed.

1 Claim, 6 Drawing Sheets



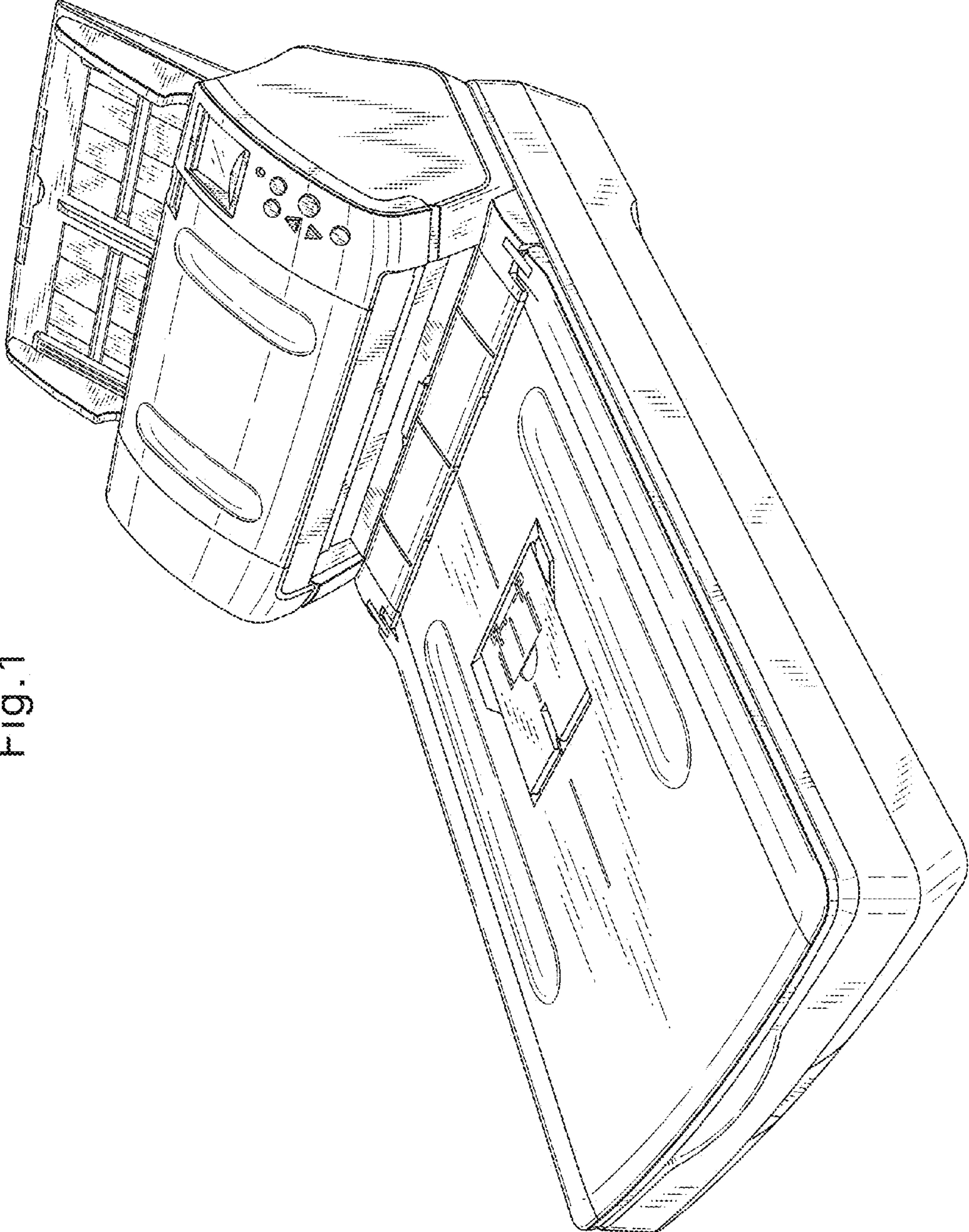


Fig.1

Fig.2

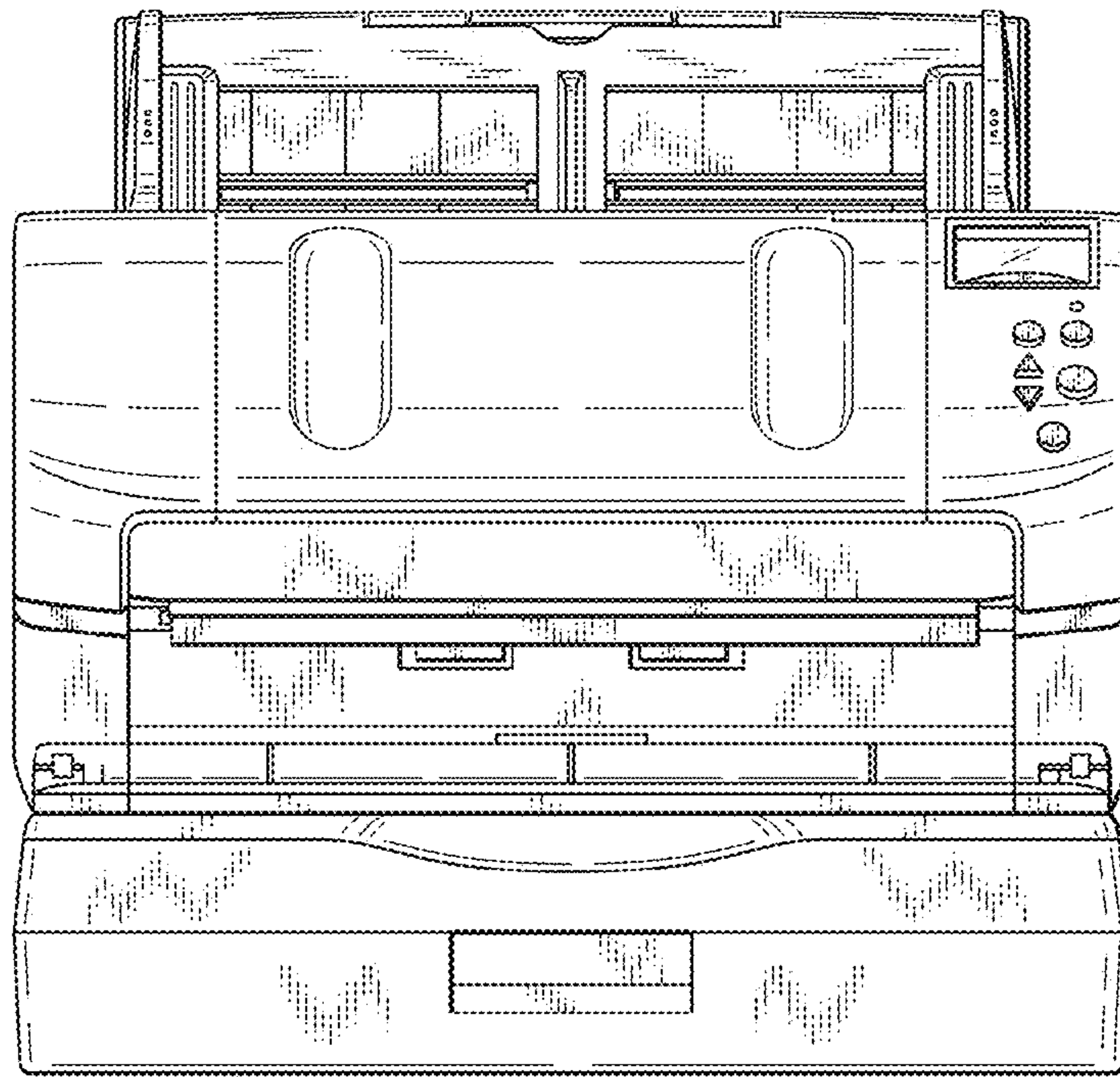


Fig.3

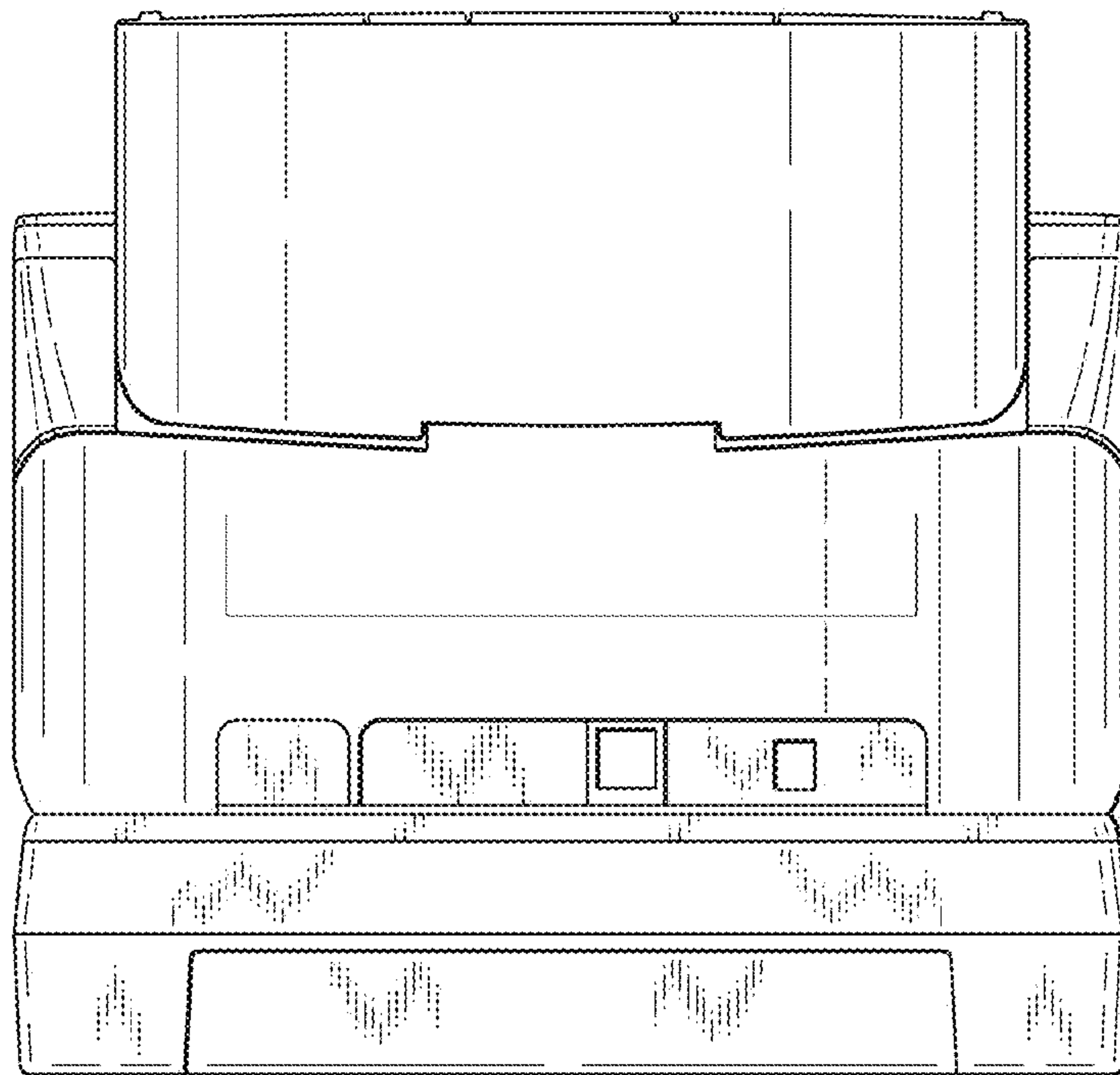


Fig.4

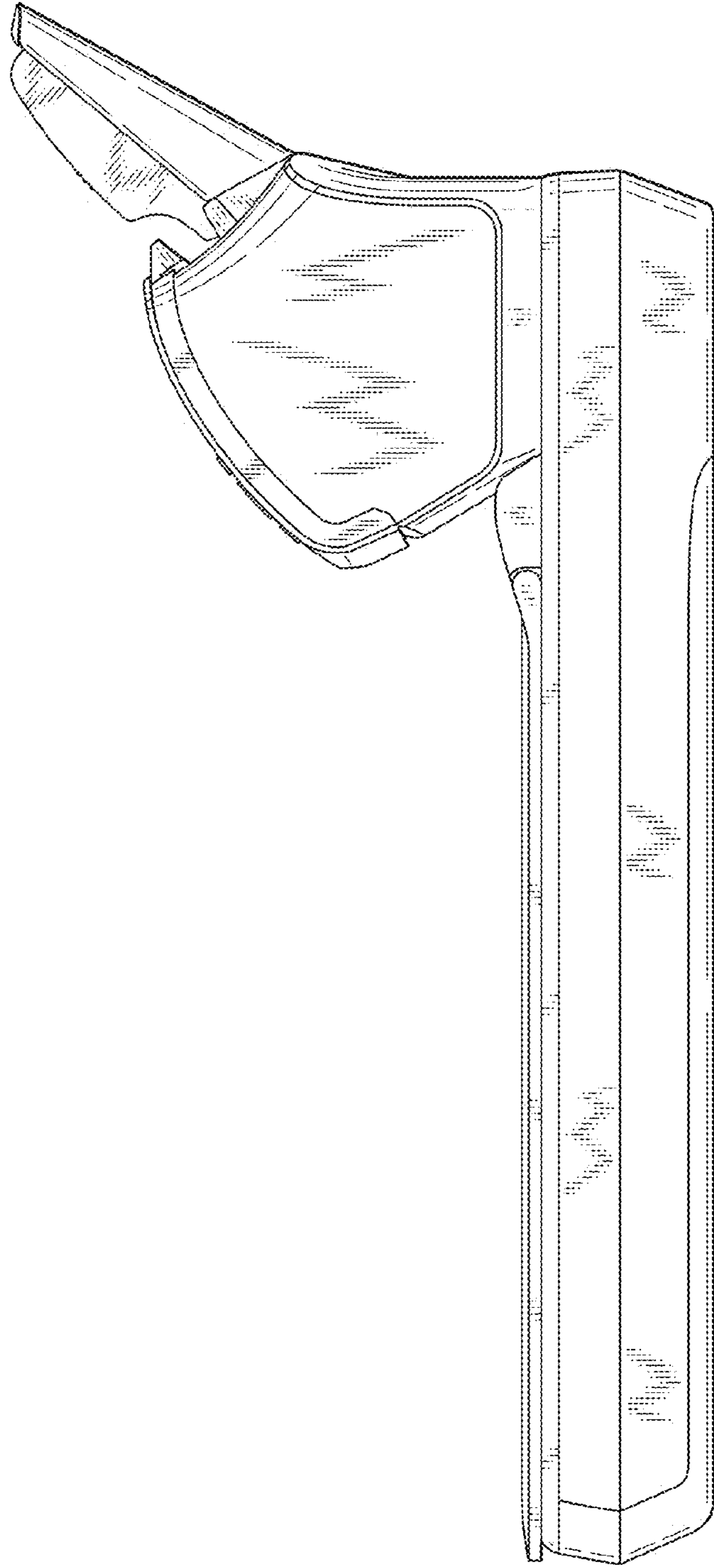


Fig. 5

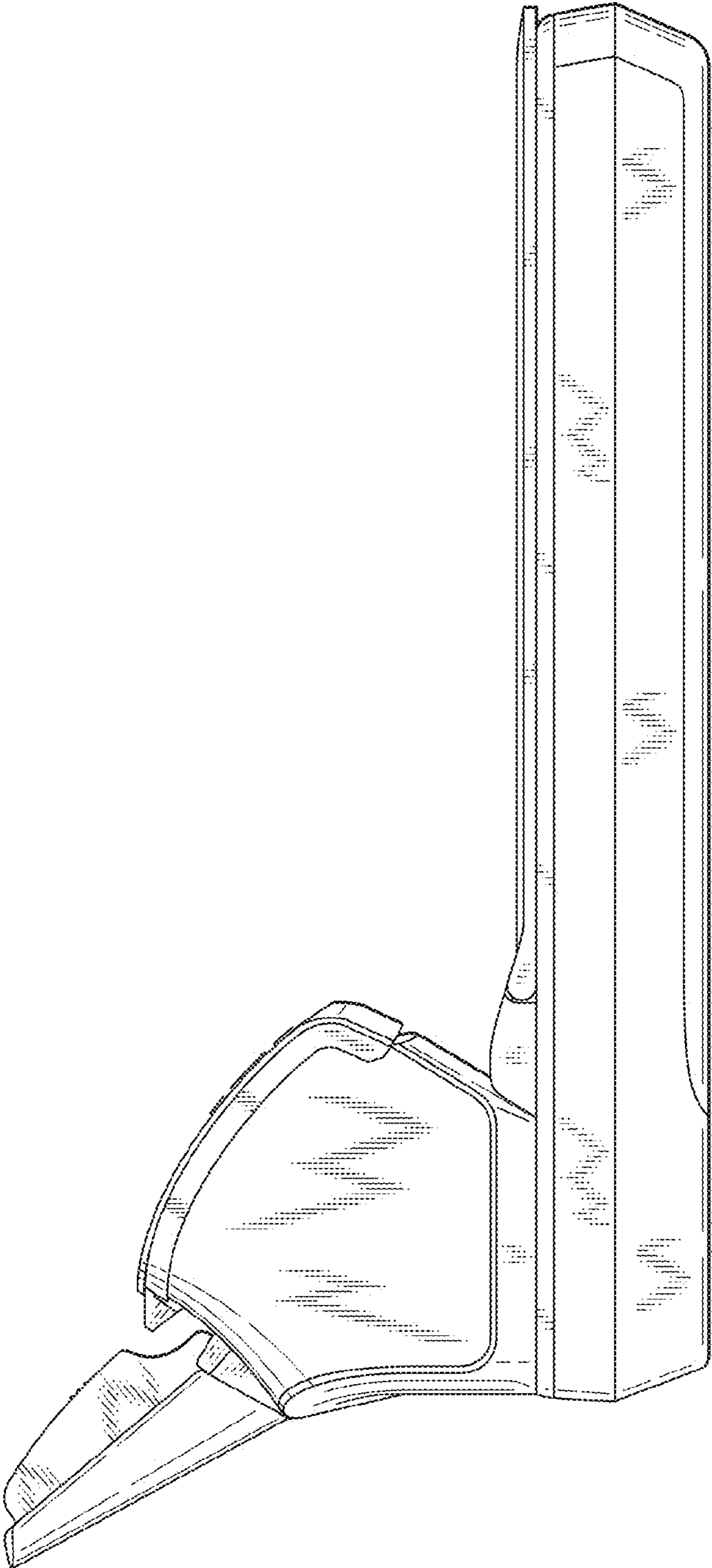


Fig. 6

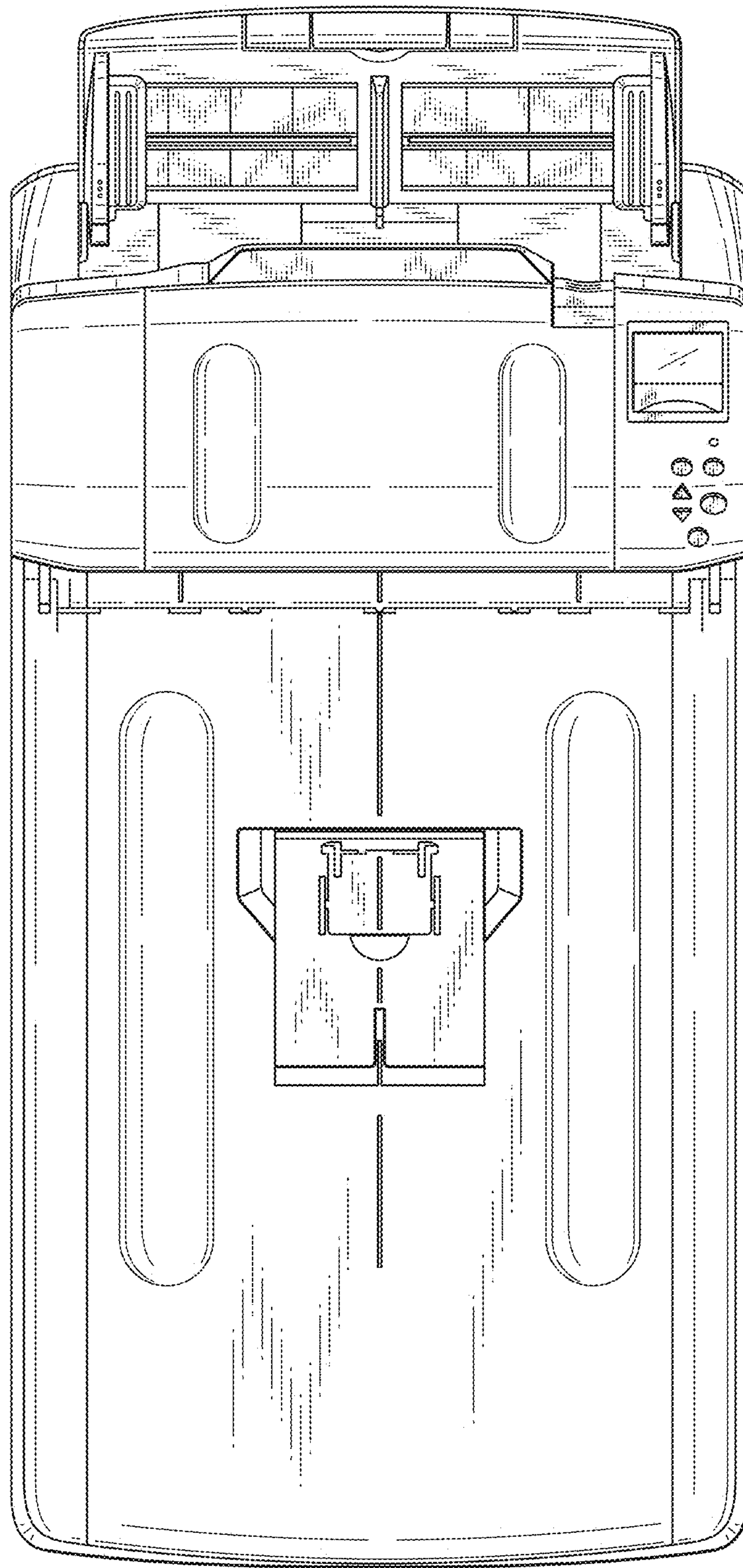


Fig.7

