

US00D692884S

(12) **United States Design Patent**
Kim et al.

(10) **Patent No.:** **US D692,884 S**

(45) **Date of Patent:** **** Nov. 5, 2013**

(54) **EXTERNAL OPTICAL DISC DRIVE**

(71) Applicants: **Chung-Ha Kim**, Seoul (KR);
Jung-Hwan Hong, Seoul (KR)

(72) Inventors: **Chung-Ha Kim**, Seoul (KR);
Jung-Hwan Hong, Seoul (KR)

(73) Assignee: **Samsung Electronics Co., Ltd.**,
Suwon-si, Gyeonggi-do (KR)

(**) Term: **14 Years**

(21) Appl. No.: **29/437,343**

(22) Filed: **Nov. 15, 2012**

(30) **Foreign Application Priority Data**

Jun. 20, 2012 (KR) 30-2012-0030136

(51) **LOC (9) Cl.** **14-02**

(52) **U.S. Cl.**
USPC **D14/368**

(58) **Field of Classification Search**
USPC D14/319–321, 348, 356–368, 498,
D14/501–503, 510; 720/617–644, 646,
720/655–656

See application file for complete search history.

(56) **References Cited**

U.S. PATENT DOCUMENTS

D312,083 S * 11/1990 Takada D14/501
5,654,846 A * 8/1997 Wicks et al. 360/99.15
D409,609 S * 5/1999 Goto D14/502
D422,574 S * 4/2000 Fujii et al. D14/368
6,388,971 B2 * 5/2002 Fujisawa 720/640

D492,698 S * 7/2004 Tsai D14/203.7
D577,020 S * 9/2008 Park D14/363
D592,661 S * 5/2009 Woo et al. D14/358
D624,076 S * 9/2010 Huh et al. D14/366
D628,572 S * 12/2010 Wang D14/356
D644,221 S * 8/2011 Kemery et al. D14/358
D649,151 S * 11/2011 Ramones et al. D14/358
8,432,679 B2 * 4/2013 Farahani et al. 361/679.33

OTHER PUBLICATIONS

GoFlex Turbo | Seagate, [online], [retrieved on Nov. 22, 2011].
Retrieved from the Internet <URL: <http://www.seagate.com/www/en-us/products/external/external-hard-drive/goflex-turbo/>>.*
U.S. Appl. No. 29/437,322, Applicant: Chung-Ha Kim et al., filed Nov. 15, 2012 entitled External Hard Disk Drive.

* cited by examiner

Primary Examiner — Karen E Kearney

(74) *Attorney, Agent, or Firm* — Flynn, Thiel, Boutell & Tanis, P.C.

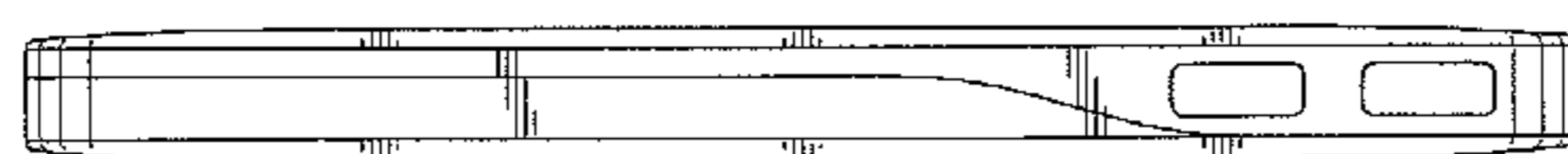
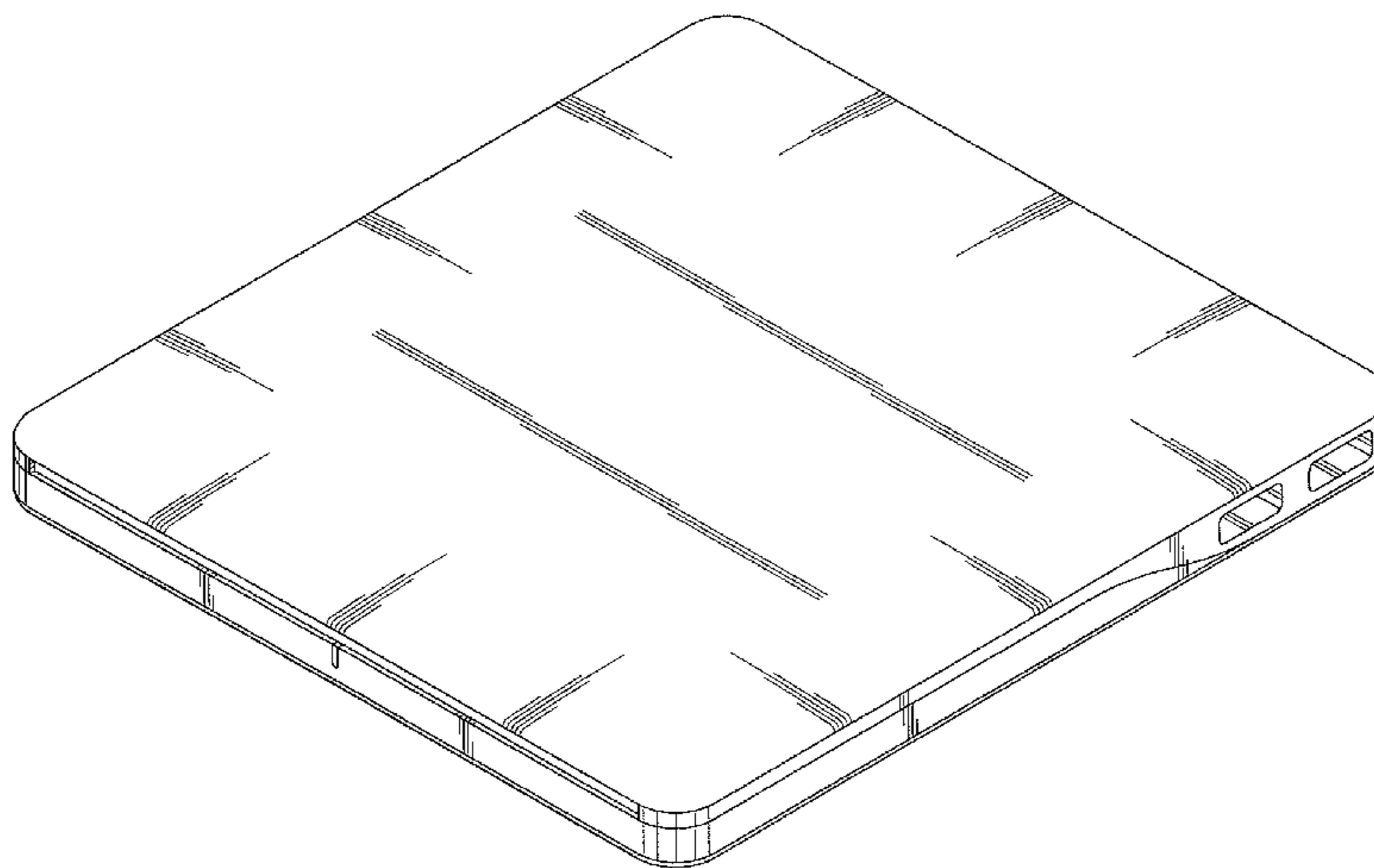
(57) **CLAIM**

The ornamental design for an external optical disc drive, as shown and described.

DESCRIPTION

FIG. 1 is a top front perspective view of an external optical disc drive showing our new design;
FIG. 2 is a front elevational view thereof;
FIG. 3 is a rear elevational view thereof;
FIG. 4 is a left side elevational view thereof;
FIG. 5 is a right side elevational view thereof;
FIG. 6 is a top plan view thereof; and,
FIG. 7 is a bottom plan view thereof.

1 Claim, 3 Drawing Sheets



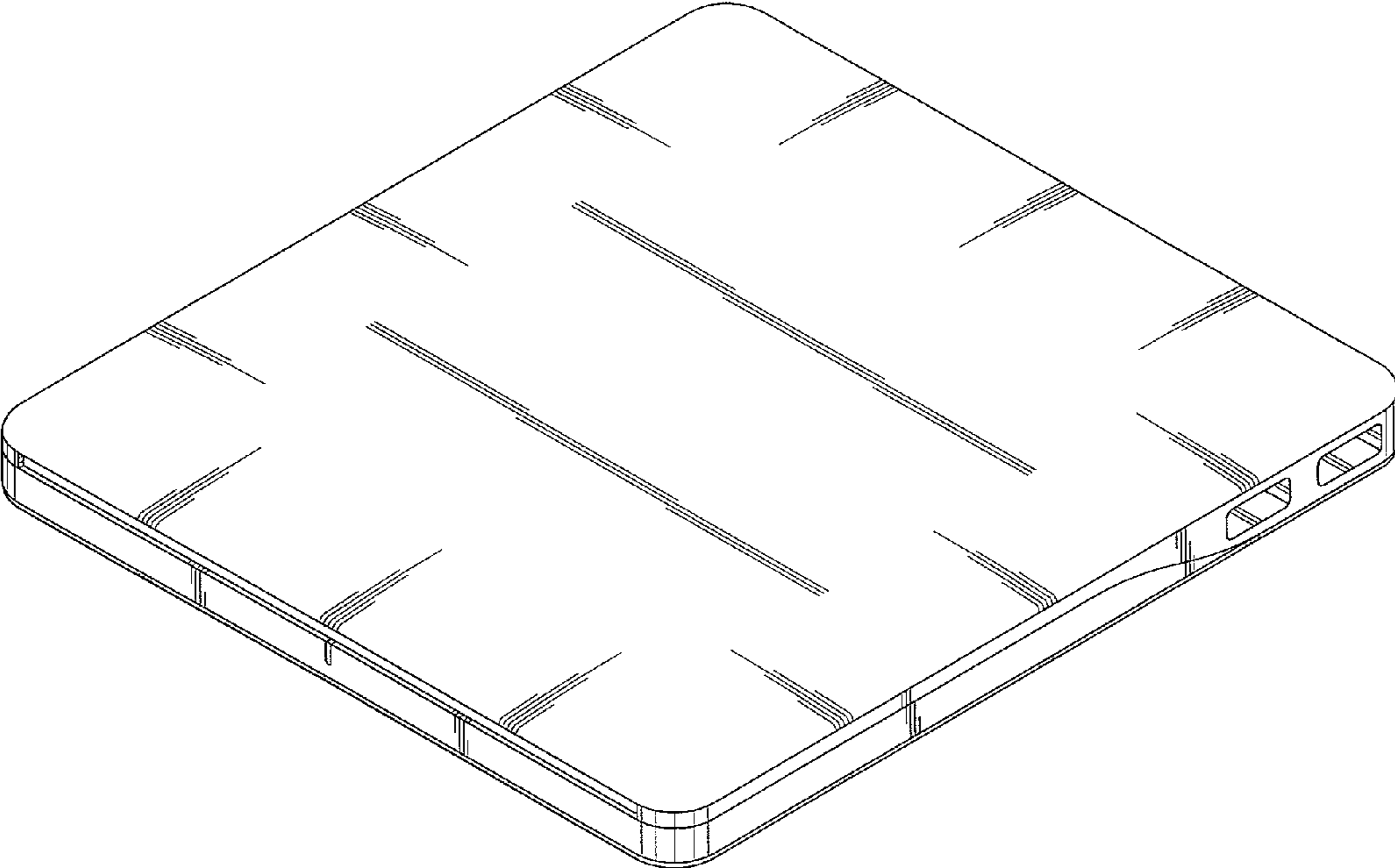


FIG.1



FIG. 2

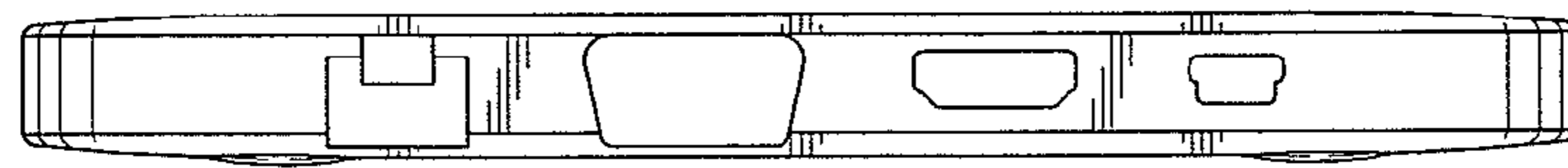


FIG. 3



FIG. 4

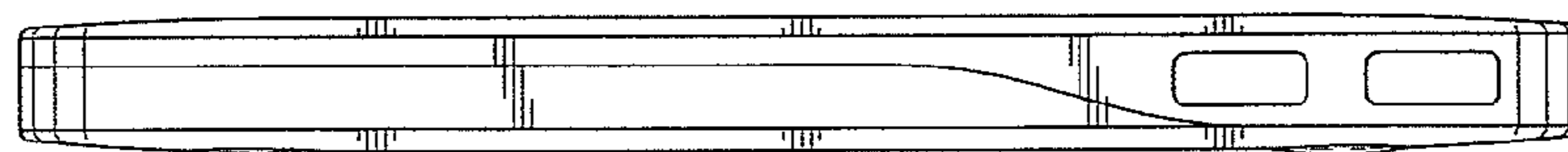


FIG. 5

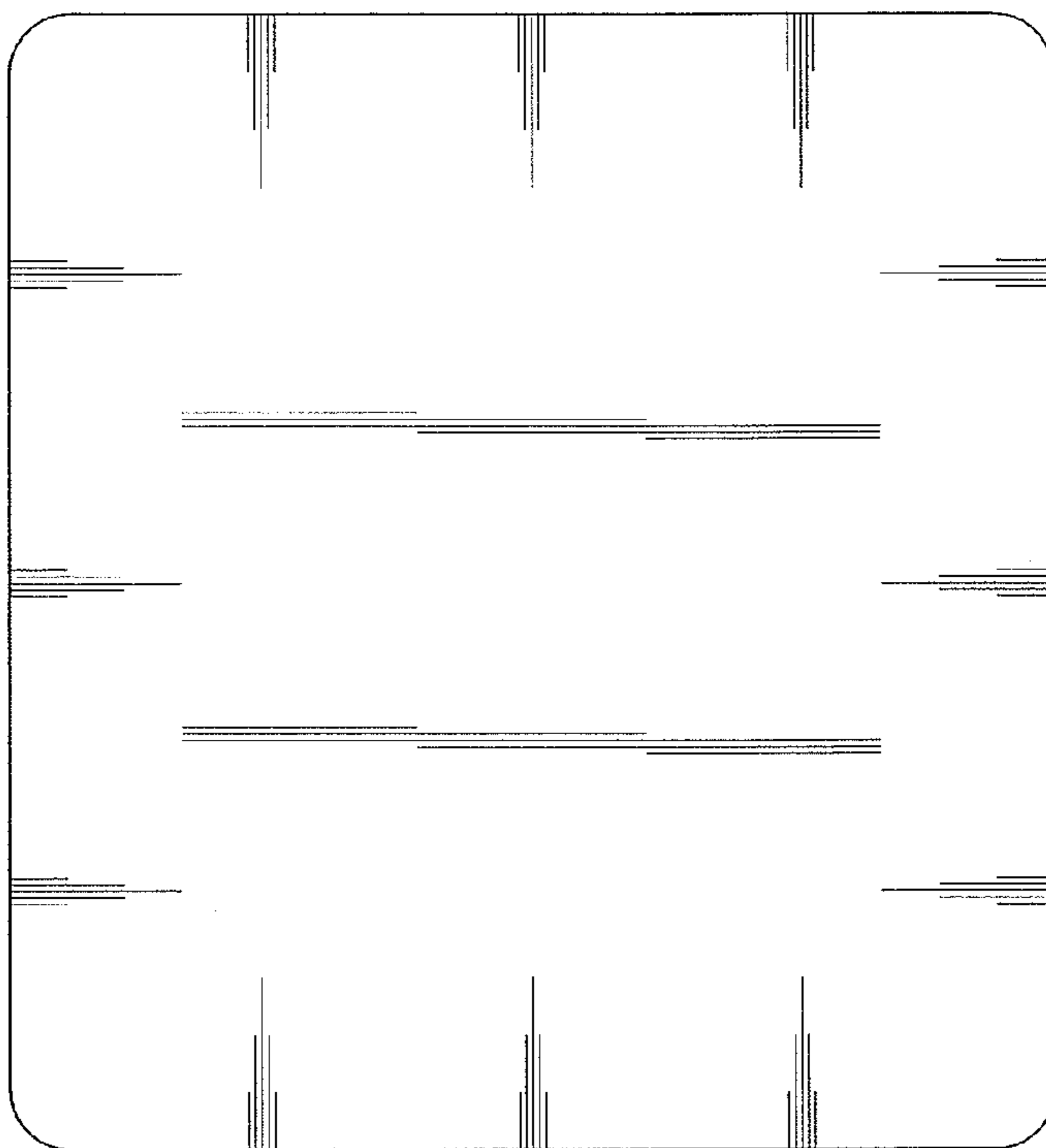


FIG.6

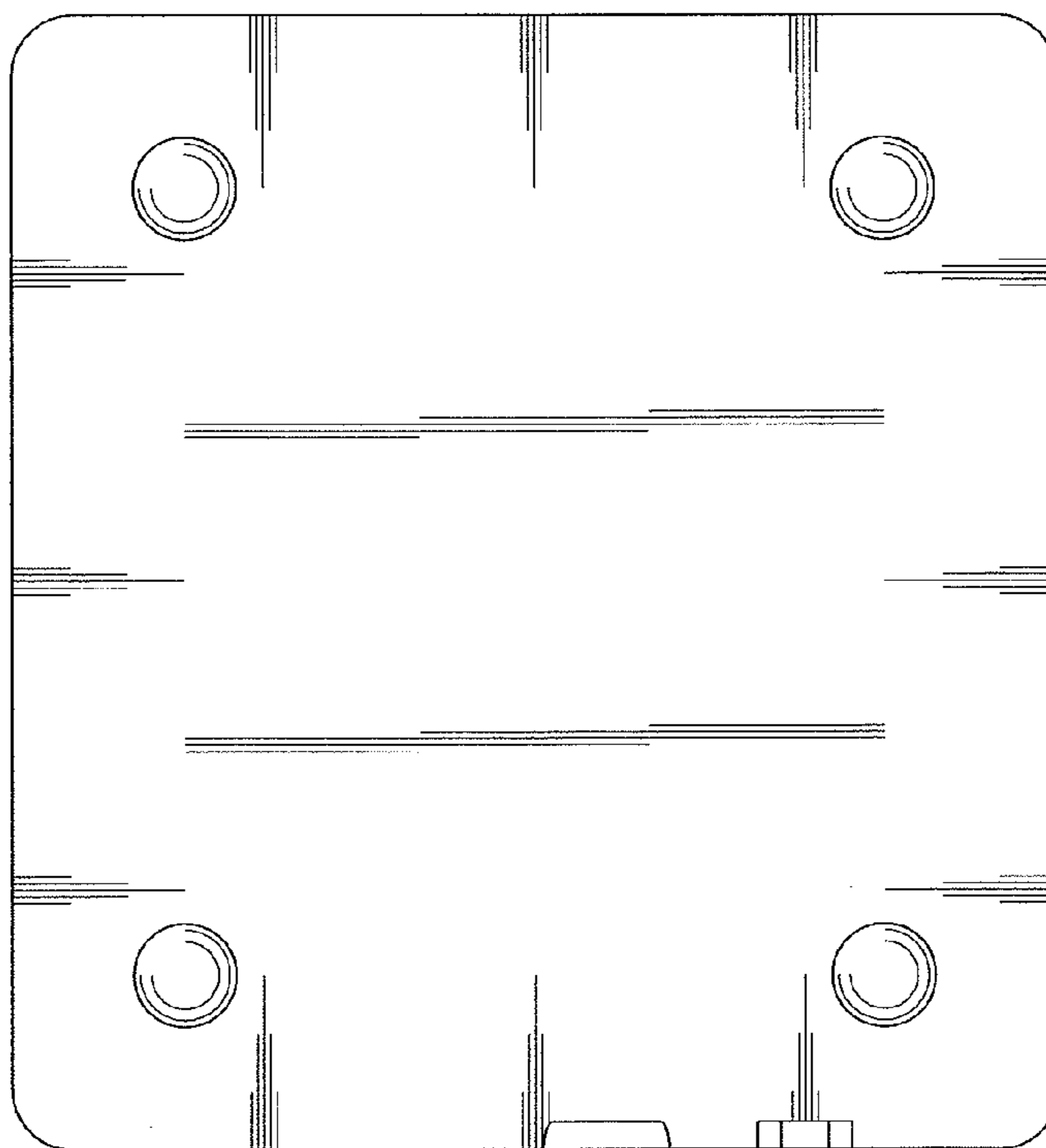


FIG.7