

US00D692883S

(12) **United States Design Patent**  
**Chen et al.**

(10) **Patent No.:** **US D692,883 S**  
(45) **Date of Patent:** **\*\* Nov. 5, 2013**

(54) **HARD DISK DRIVER TRAY**

(75) Inventors: **Chao-Jung Chen**, New Taipei (TW);  
**I-Lang Cheng**, New Taipei (TW);  
**Yaw-Tzorng Tsorng**, Taipei (TW);  
**Fu-Ling Yu**, Taoyuan (TW)

(73) Assignee: **Quanta Computer Inc.**, Taoyuan Shien  
(TW)

(\*\*) Term: **14 Years**

(21) Appl. No.: **29/418,764**

(22) Filed: **Apr. 20, 2012**

(30) **Foreign Application Priority Data**

Feb. 17, 2012 (TW) ..... 101300861

(51) **LOC (9) Cl.** ..... **14-02**

(52) **U.S. Cl.**  
USPC ..... **D14/367**

(58) **Field of Classification Search**  
USPC ..... D14/300-302, 308, 349-356, 313,  
D14/363-368; D13/162, 184, 199;  
312/223.1-223.3, 351.11;  
360/99.01-99.12; 369/34.01-36.01;  
361/679.31, 679.33-679.39, 679.6,  
361/600, 679.01, 679.02; 720/738

See application file for complete search history.

(56) **References Cited**

U.S. PATENT DOCUMENTS

4,941,841	A	*	7/1990	Darden et al.	361/679.39
D404,383	S	*	1/1999	Chang	D14/367
5,898,660	A	*	4/1999	Serizawa	720/738
D455,422	S	*	4/2002	Bath	D14/301
D458,924	S	*	6/2002	Tsuyuki et al.	D14/367
D461,807	S	*	8/2002	Kuehn et al.	D14/367
D497,164	S	*	10/2004	Wang	D14/366
D529,915	S	*	10/2006	Scicluna et al.	D14/439
D576,163	S	*	9/2008	Sasaki	D14/363
2004/0130861	A1	*	7/2004	Beall et al.	361/682

\* cited by examiner

*Primary Examiner* — Freda S Nunn

(74) *Attorney, Agent, or Firm* — Rabin & Berdo, P.C.

(57) **CLAIM**

The ornamental design for a hard disk driver tray, as shown and described.

**DESCRIPTION**

FIG. 1 is a perspective view of a hard disk driver tray showing our new design;

FIG. 2 is a front view thereof;

FIG. 3 is a rear view thereof;

FIG. 4 is a left side view thereof;

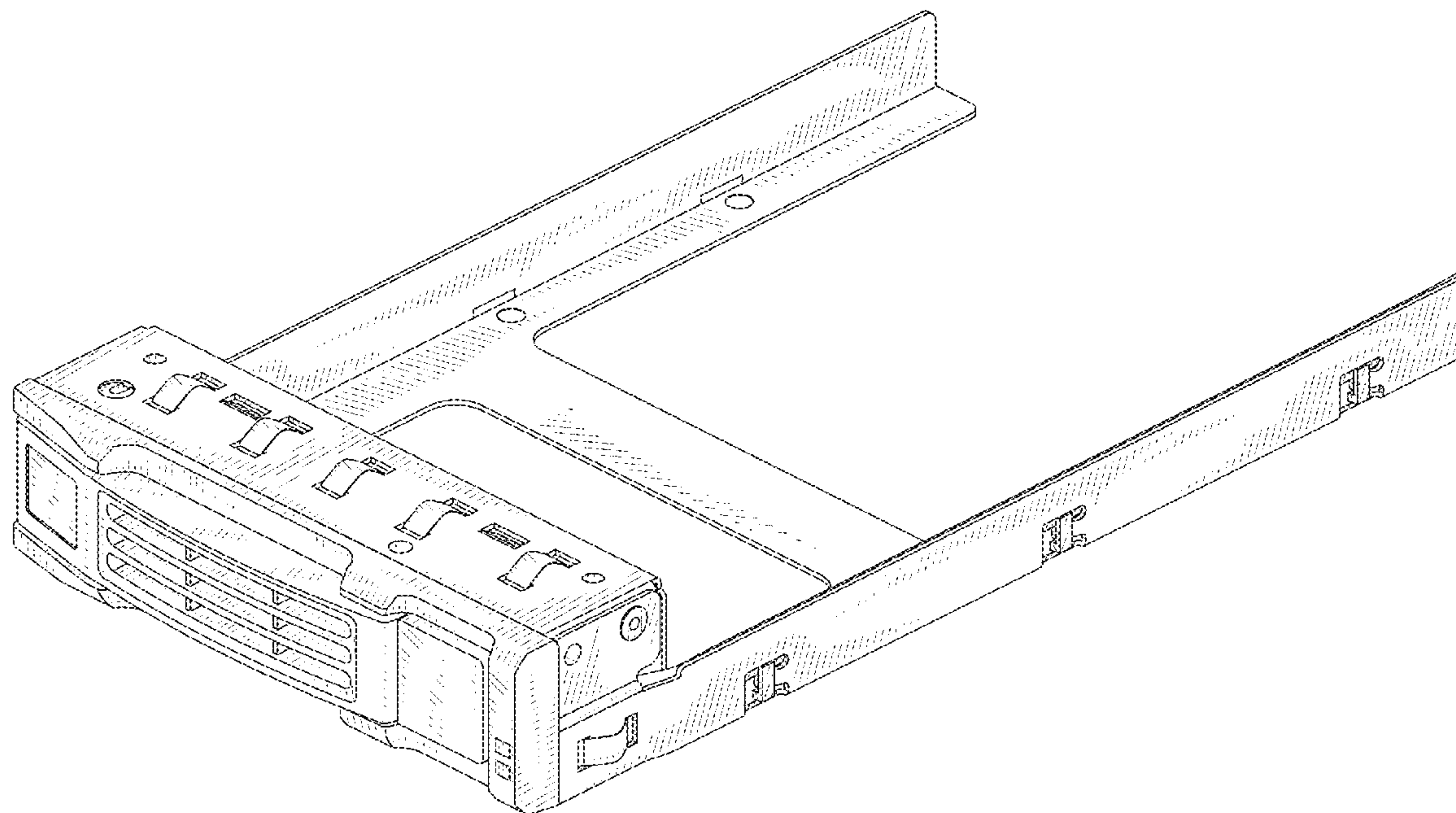
FIG. 5 is a right side view thereof;

FIG. 6 is a top view thereof; and,

FIG. 7 is a bottom view thereof.

Broken lines shown in the drawings illustrate portions of the hard disk driver tray, and form no part of the claimed design.

**1 Claim, 5 Drawing Sheets**



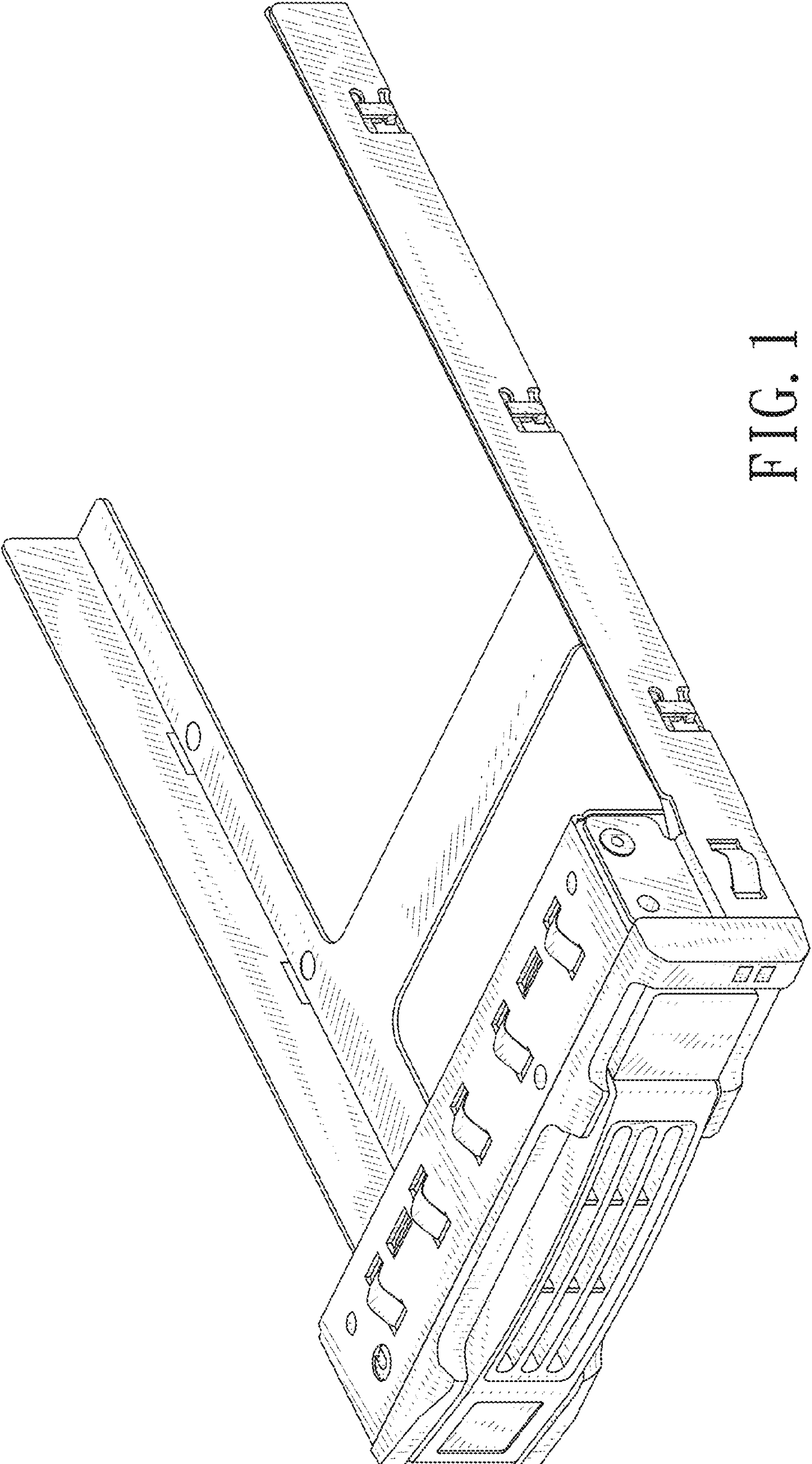


FIG. 1

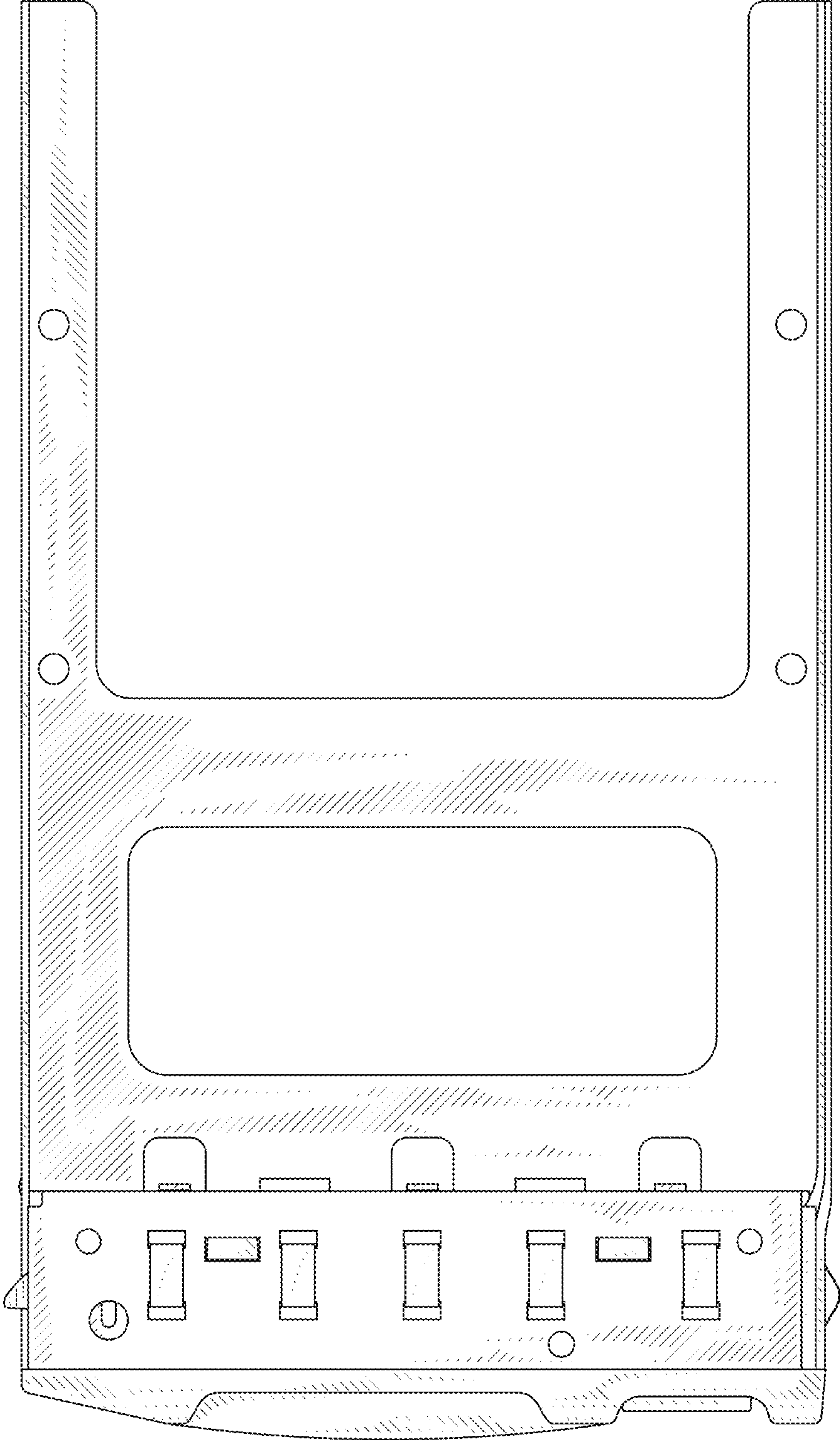


FIG. 2



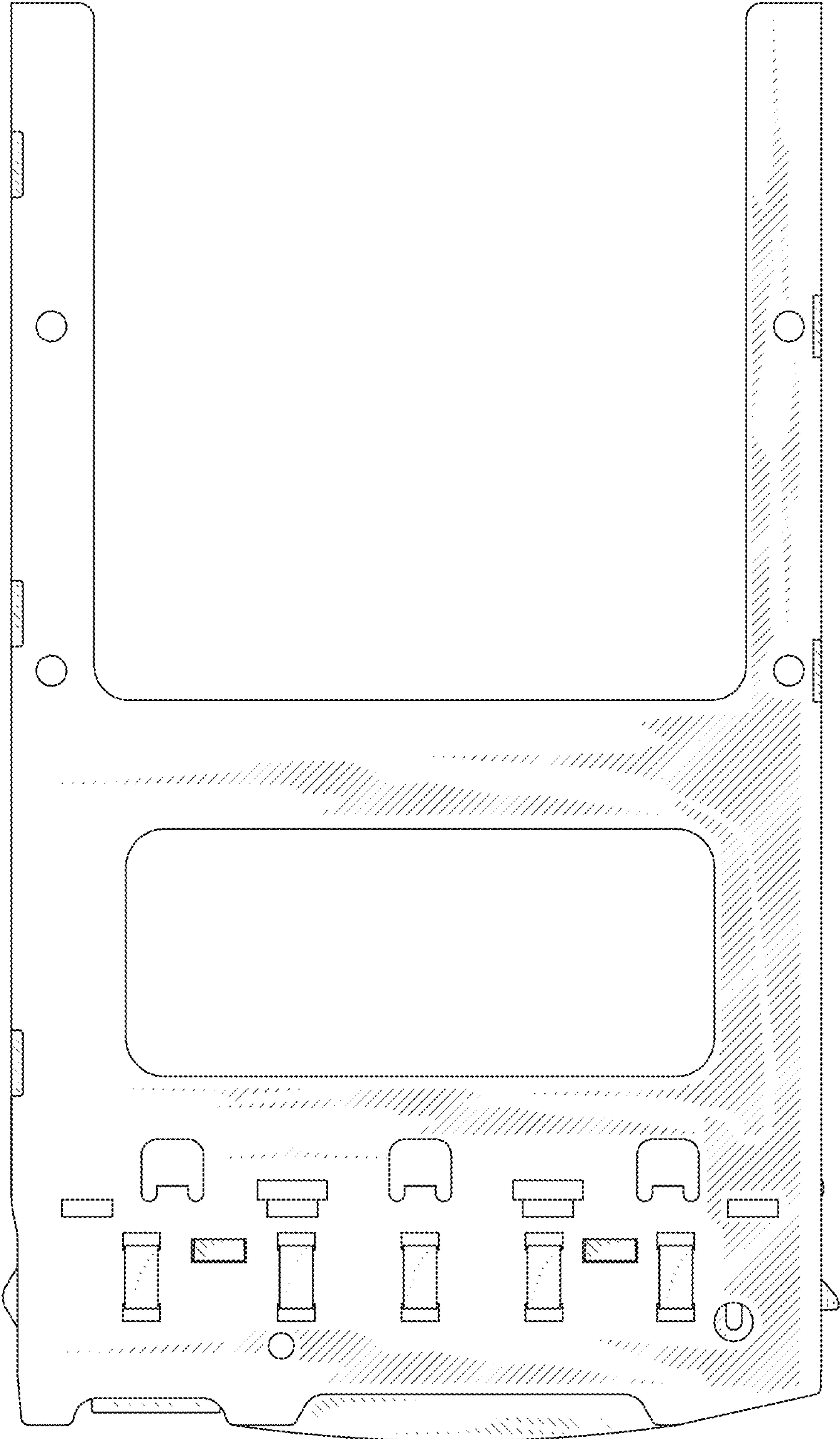


FIG. 3

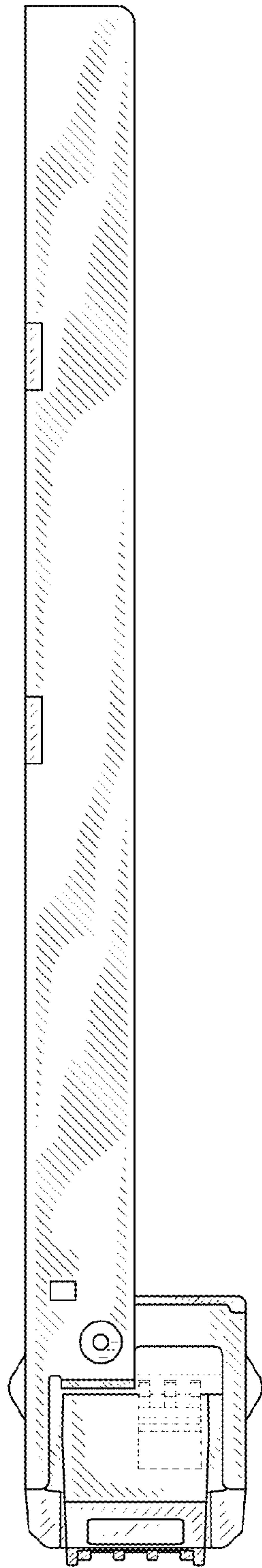


FIG. 4

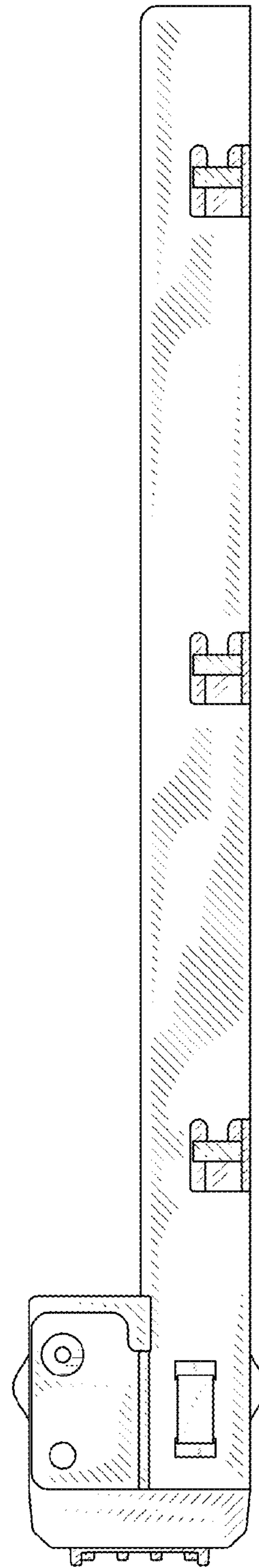


FIG. 5

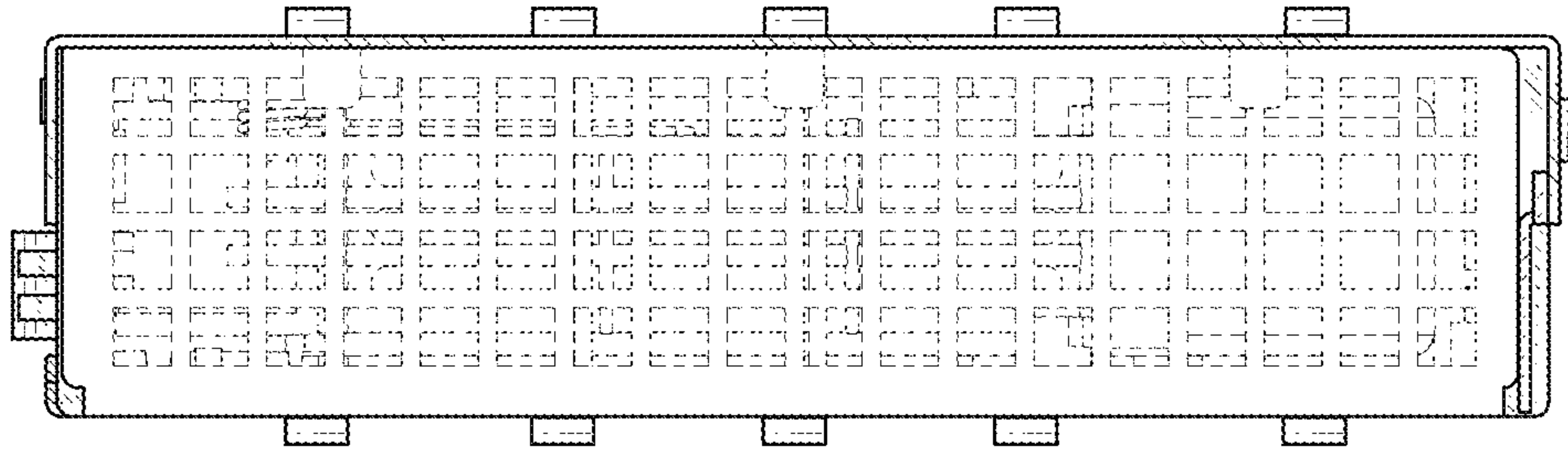


FIG. 6

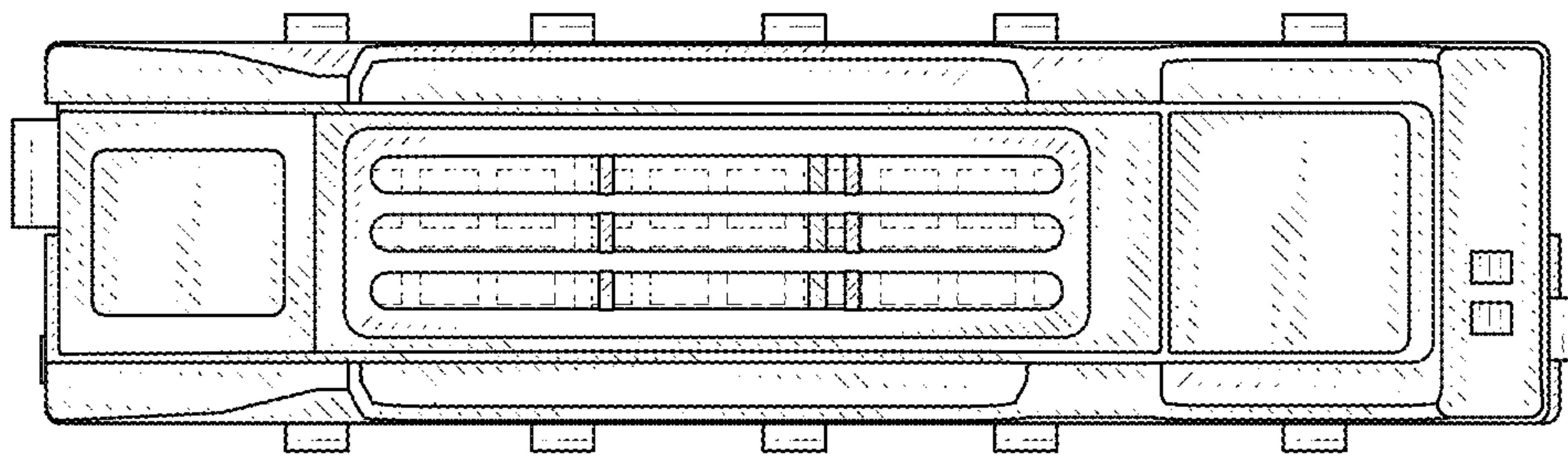


FIG. 7