

US00D692878S

(12) **United States Design Patent**
Akana et al.

(10) **Patent No.:** **US D692,878 S**

(45) **Date of Patent:** **** *Nov. 5, 2013**

(54) **ELECTRONIC DEVICE WITH COVER**

(75) Inventors: **Jody Akana**, San Francisco, CA (US);
Bartley K. Andre, Palo Alto, CA (US);
Jeremy Bataillou, San Francisco, CA
(US); **Daniel J. Coster**, San Francisco,
CA (US); **Daniele De Iuliis**, San
Francisco, CA (US); **M. Evans Hankey**,
San Francisco, CA (US); **Richard P.**
Howarth, San Francisco, CA (US);
Jonathan P. Ive, San Francisco, CA
(US); **Steve Jobs**, Palo Alto, CA (US);
Duncan Robert Kerr, San Francisco,
CA (US); **Shin Nishibori**, Kailua, HI
(US); **Matthew Dean Rohrbach**, San
Francisco, CA (US); **Peter**
Russell-Clarke, San Francisco, CA
(US); **Christopher J. Stringer**,
Woodside, CA (US); **Eugene Antony**
Whang, San Francisco, CA (US); **Rico**
Zörkendörfer, San Francisco, CA (US)

(73) Assignee: **Apple Inc.**, Cupertino, CA (US)

(*) Notice: This patent is subject to a terminal dis-
claimer.

(**) Term: **14 Years**

(21) Appl. No.: **29/432,299**

(22) Filed: **Sep. 14, 2012**

Related U.S. Application Data

(63) Continuation of application No. 29/399,329, filed on
Aug. 12, 2011, now Pat. No. Des. 669,071, which is a
continuation of application No. 29/376,054, filed on
Sep. 30, 2010, now Pat. No. Des. 644,218.

(51) **LOC (9) Cl.** **14-02**

(52) **U.S. Cl.**
USPC **D14/341**

(58) **Field of Classification Search**
USPC D14/341-347, 137, 138, 138.1, 138 AA,
D14/138 R, 138 AB, 138 AC, 138 AD, 138 C,

D14/138 G, 250-253, 203.1-203.7, 217,
D14/496, 426-428, 432, 429, 129, 130, 420,
D14/439-441, 448, 125, 147, 156, 218,
D14/247-248, 389, 336; D3/201, 218, 269,
D3/301, 273, 303; D13/103, 107-108;
220/4.02; 248/309.1; 361/679.56, 814;
455/575.1, 575.8; 190/100; 206/305,
206/320; D10/65, 104; D18/6-7; D21/29,
D21/686, 33, 324, 329, 330; D6/596, 601,
D6/605; D19/60; 345/169, 901, 905;
348/169; 341/122; 346/173;
379/433.04, 433.07, 433.11, 433.12,
379/433.13, 910, 916, 433.01, 433.06

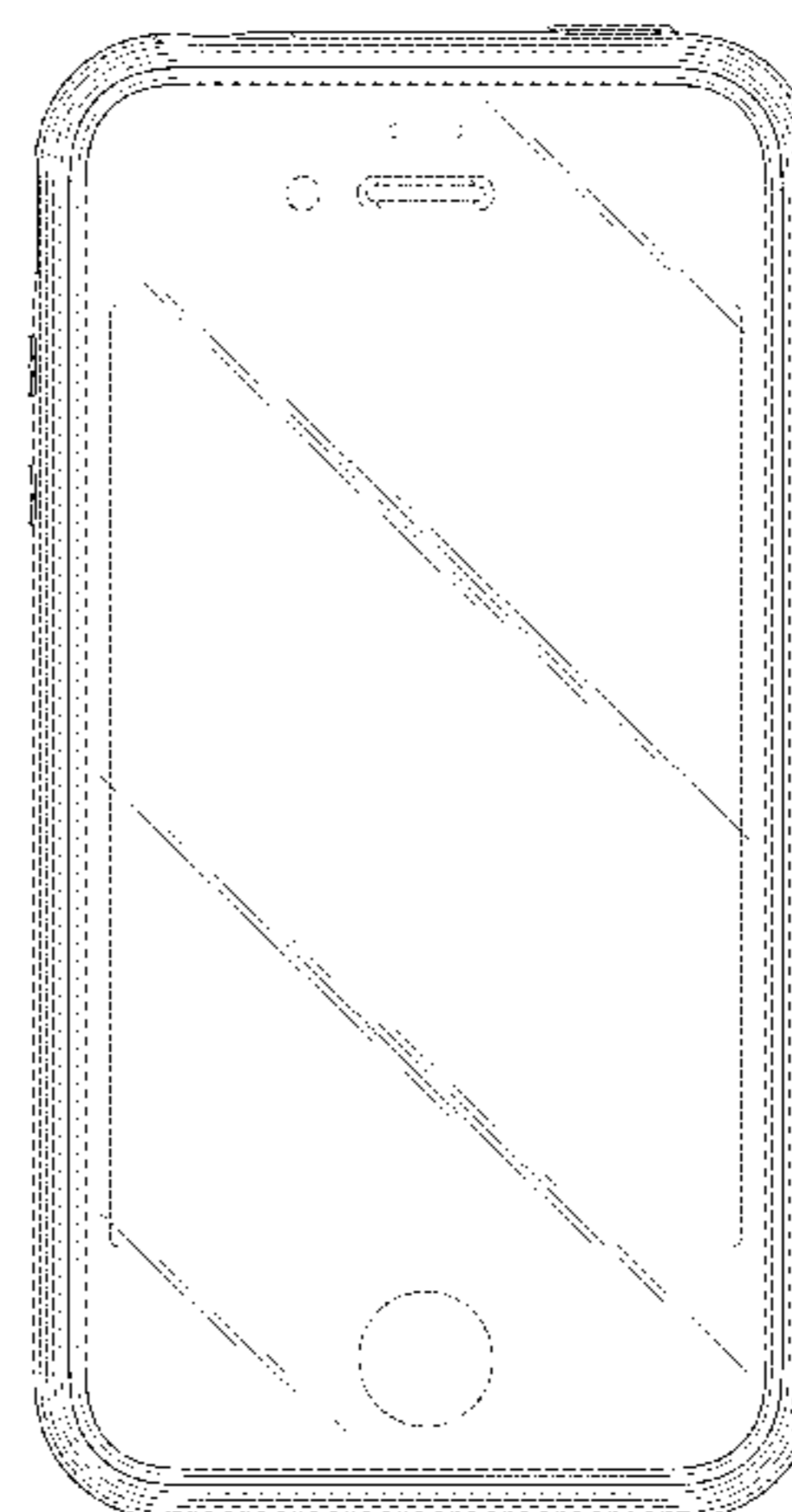
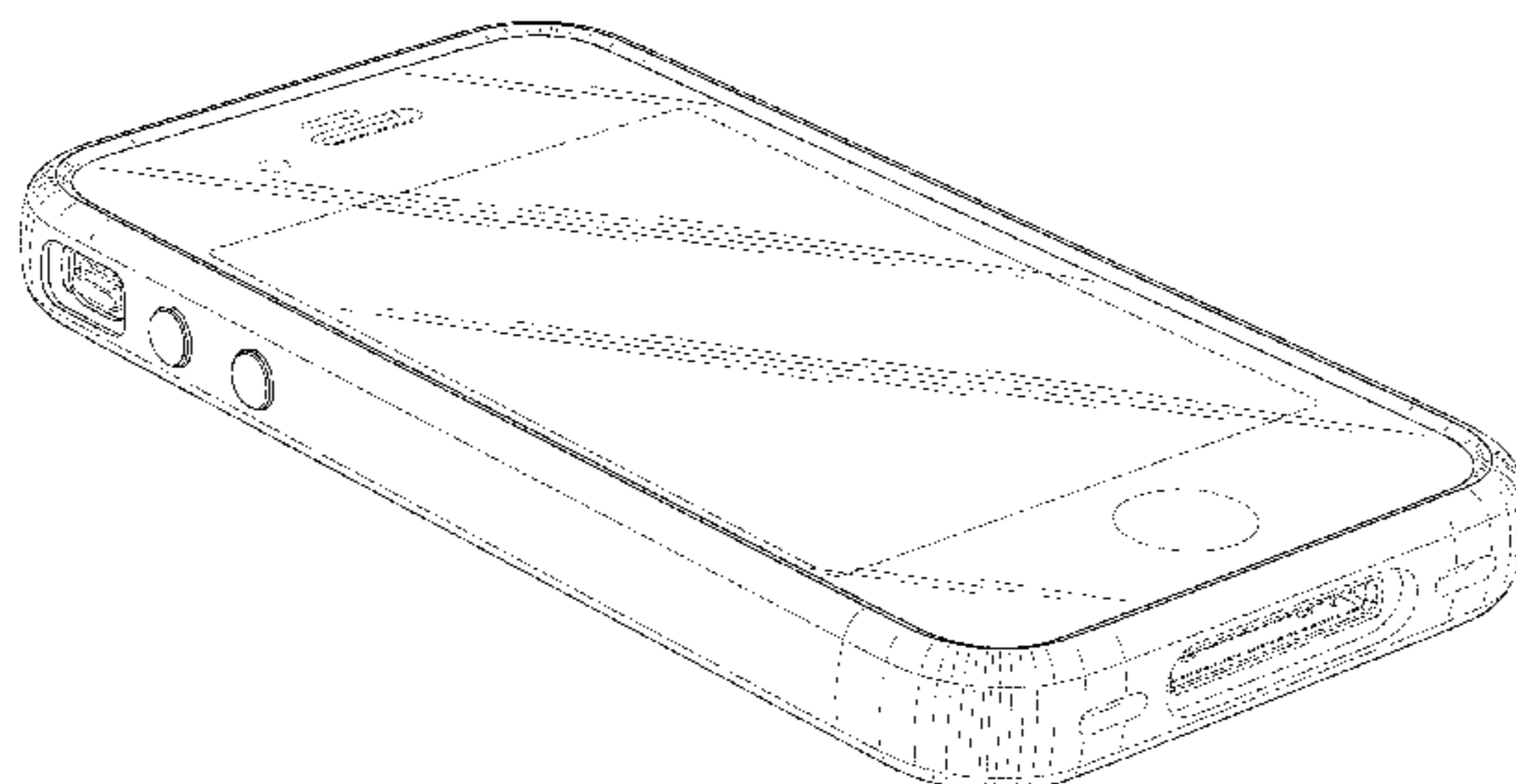
See application file for complete search history.

(56)

References Cited

U.S. PATENT DOCUMENTS

D297,518 S	9/1988	Yuen
D300,831 S	4/1989	Jenkins et al.
D302,336 S	7/1989	Erickson
D490,420 S	5/2004	Solomon et al.
6,781,819 B2	8/2004	Yang et al.
D506,937 S	7/2005	Lee et al.
D511,347 S	11/2005	Naruki
D513,617 S	1/2006	Tierney
D524,809 S	7/2006	Alcouloumre et al.
D527,176 S	8/2006	Andre et al.
D534,890 S	1/2007	Kim
D535,281 S	1/2007	Yang
D546,803 S	7/2007	Lee et al.
D556,211 S	11/2007	Howard
D558,460 S	1/2008	Yu et al.
D558,757 S	1/2008	Andre et al.
D558,758 S	1/2008	Andre et al.
D560,231 S	1/2008	Lee
D561,204 S	2/2008	Toh
D561,783 S	2/2008	Schmelling
D562,285 S	2/2008	Lim
D562,589 S	2/2008	Mellon
7,330,741 B2	2/2008	Park et al.
D563,938 S	3/2008	Kim et al.
D567,819 S	4/2008	Devericks et al.
D569,837 S	5/2008	Baik et al.
D574,819 S	8/2008	Andre et al.
D577,371 S	9/2008	Hu et al.
D579,898 S	11/2008	Lee et al.
D579,902 S	11/2008	Kim et al.
D580,387 S	11/2008	Andre et al.



D581,384 S 11/2008 Kim et al.
D581,922 S 12/2008 Andre et al.
D582,377 S 12/2008 Kim et al.
D582,887 S 12/2008 Poandl
D583,346 S 12/2008 Jung et al.
D583,796 S 12/2008 Tanaka
D584,272 S 1/2009 Chung et al.
D584,646 S 1/2009 Sanguinetti
D584,738 S 1/2009 Kim et al.
D591,252 S 4/2009 Kim et al.
D592,166 S 5/2009 Song
D592,628 S 5/2009 Kim et al.
D593,087 S 5/2009 Andre et al.
7,555,325 B2 6/2009 Goros
D598,414 S 8/2009 Joung et al.
D598,887 S 8/2009 Xiao et al.
D599,342 S 9/2009 Andre et al.
D600,241 S 9/2009 Andre et al.
D601,530 S 10/2009 Park et al.
D601,987 S 10/2009 Park et al.
D602,014 S 10/2009 Andre et al.
D602,015 S 10/2009 Andre et al.
D602,016 S 10/2009 Andre et al.
D602,017 S 10/2009 Andre et al.
D602,486 S 10/2009 Andre et al.
D603,834 S 11/2009 Lyman et al.
D604,297 S 11/2009 Andre et al.
D606,129 S 12/2009 Ben-Moshe
7,660,560 B2 2/2010 Zuo et al.
D613,735 S 4/2010 Andre et al.
D613,736 S 4/2010 Andre et al.
D615,083 S 5/2010 Andre et al.
D615,949 S 5/2010 Kim
D618,204 S 6/2010 Andre et al.
D619,361 S 7/2010 Andre et al.
D622,716 S 8/2010 Andre et al.
D623,180 S 9/2010 Diebel
D625,524 S 10/2010 Schwartz et al.
D627,778 S 11/2010 Akana et al.
D633,493 S 3/2011 Akana et al.
D633,908 S 3/2011 Akana et al.
D634,741 S 3/2011 Richardson et al.
D636,362 S 4/2011 Veiga et al.
7,933,123 B2 4/2011 Wang et al.
D641,013 S 7/2011 Richardson et al.
D643,028 S 8/2011 Richardson et al.
D644,218 S 8/2011 Akana et al.
D647,519 S 10/2011 Rothbaum et al.
8,051,980 B2 11/2011 Tai et al.
D659,132 S * 5/2012 Wen D14/250
D662,923 S * 7/2012 Piedra et al. D14/250
D671,930 S 12/2012 Akana et al.
D671,937 S 12/2012 Akana et al.
D672,343 S * 12/2012 Akana et al. D14/341
D674,789 S * 1/2013 Wen D14/250
2009/0111543 A1 4/2009 Tai et al.
2009/0114556 A1 5/2009 Tai et al.
2009/0247244 A1 10/2009 Mittleman et al.

2009/0315690 A1 12/2009 Hwang et al.
2010/0300909 A1 12/2010 Hung
2011/0192510 A1 8/2011 Bau
2011/0297578 A1 12/2011 Stiehl et al.

FOREIGN PATENT DOCUMENTS

EM 000569157-0005 9/2006
JP D1241383 6/2005

OTHER PUBLICATIONS

“LG KE850 Prada,” http://www.gsmarena.com/lg_ke850_prada-1828.php. Downloaded Feb. 20, 2007. 4 pages.
“Meizu’s M8? Apple lawyers, start your engines,” <http://www.engadget.com/2007/01/29/meizus-m8-apple-lawyers-start-your-engines/>. Downloaded Sep. 13, 2007. 3 pages.
U.S. Appl. No. 29/363,167, Akana et al., “Electronic Device”, filed Jun. 5, 2010. (unpublished).
U.S. Appl. No. 29/379,707, Akana et al., “Electronic Device”, filed Nov. 23, 2010. (unpublished).

* cited by examiner

Primary Examiner — Barbara Fox
(74) *Attorney, Agent, or Firm* — Sterne, Kessler, Goldstein & Fox PLLC

(57) **CLAIM**

The ornamental design for an electronic device with cover, as shown and described.

DESCRIPTION

FIG. 1 is a bottom front perspective view of an electronic device with cover showing our new design;
FIG. 2 is a top front perspective view thereof;
FIG. 3 is a top rear perspective view thereof;
FIG. 4 is a bottom rear perspective view thereof;
FIG. 5 is a front view thereof;
FIG. 6 is a rear view thereof;
FIG. 7 is a top view thereof;
FIG. 8 is bottom view thereof;
FIG. 9 is a left side view thereof; and,
FIG. 10 is a right side view thereof.
The shade lines in the Figures show contour and not surface ornamentation.
The broken lines in the Figures show portions of the electronic device with cover which form no part of the claimed design.

1 Claim, 8 Drawing Sheets

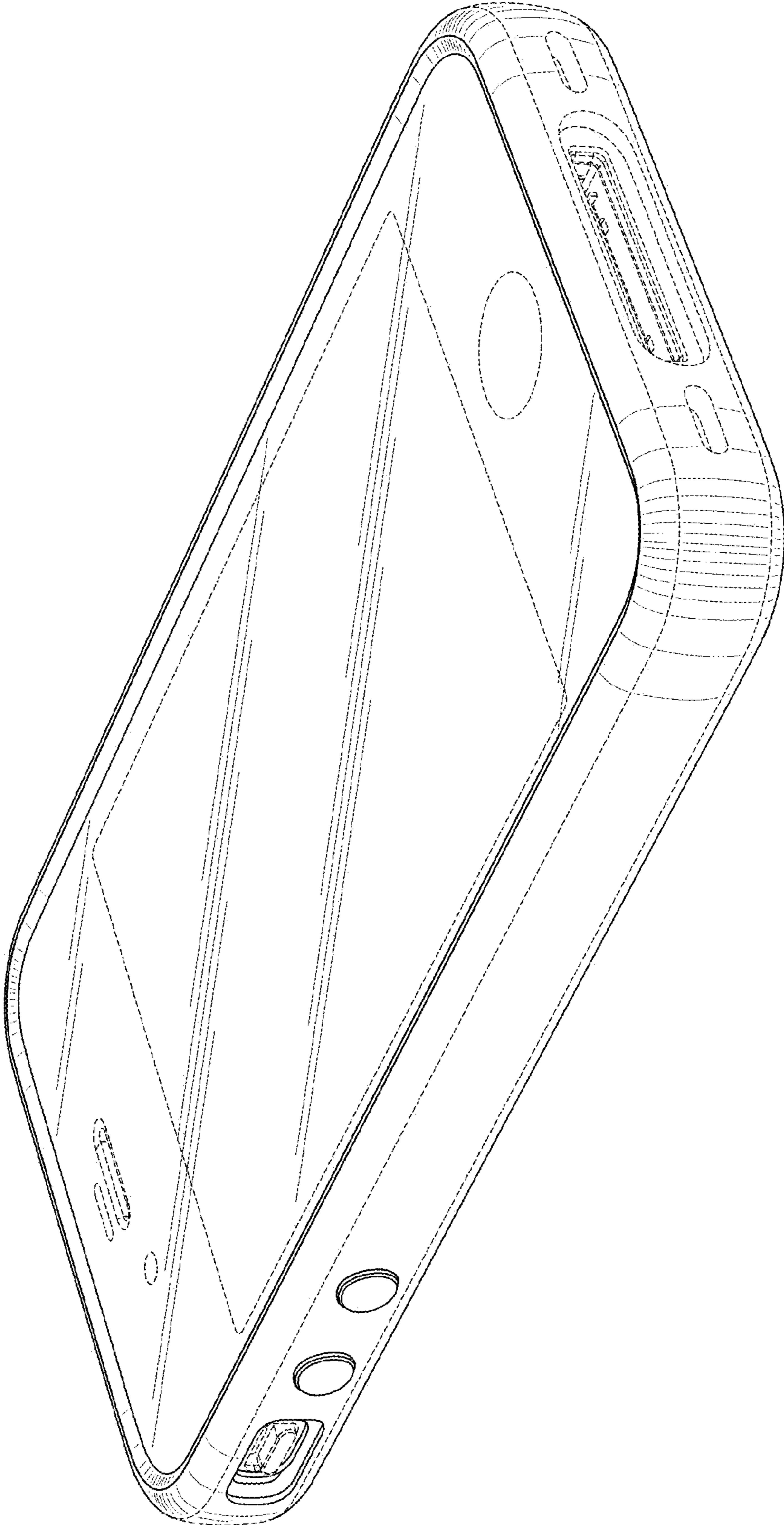


FIG. 1

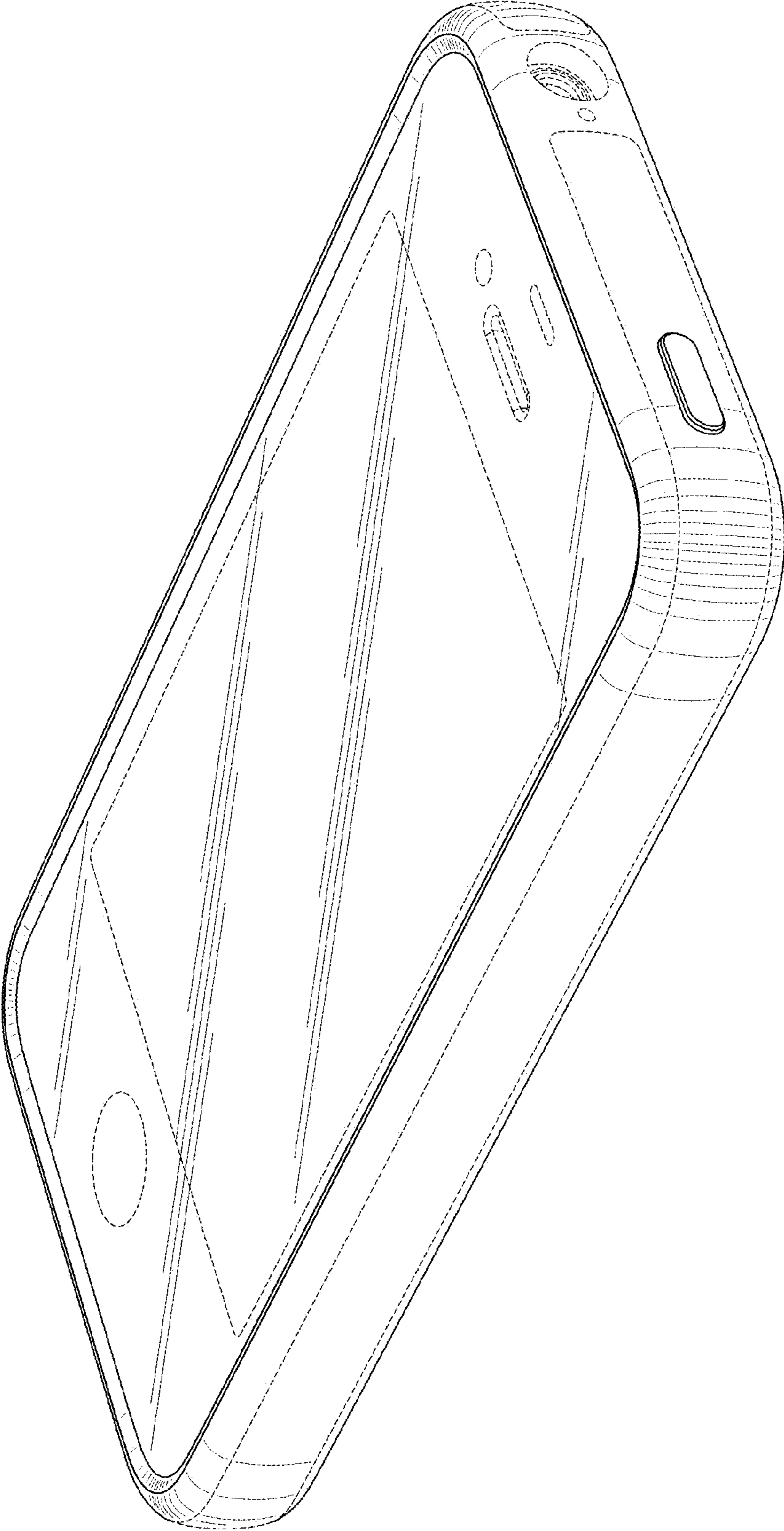


FIG. 2

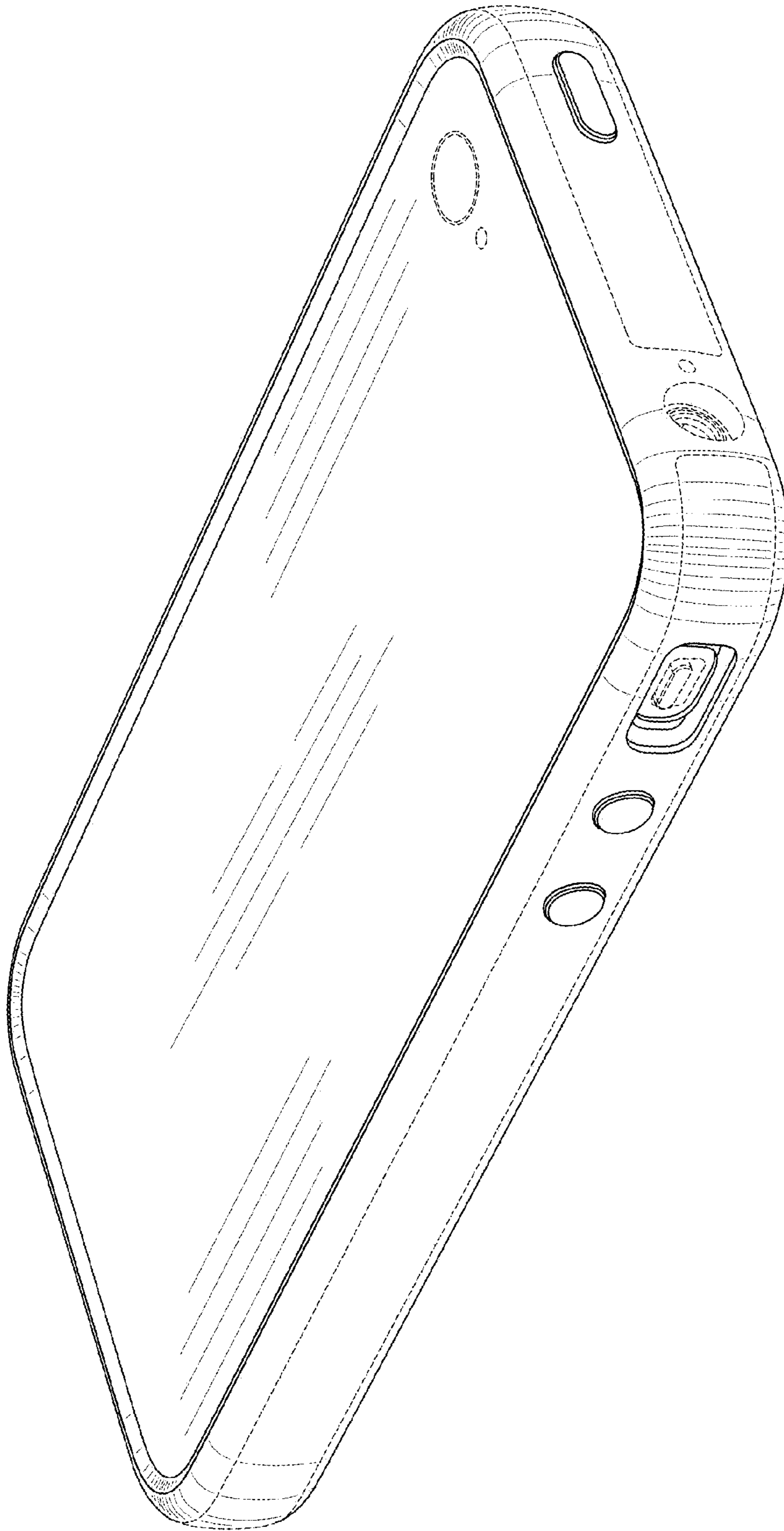


FIG. 3

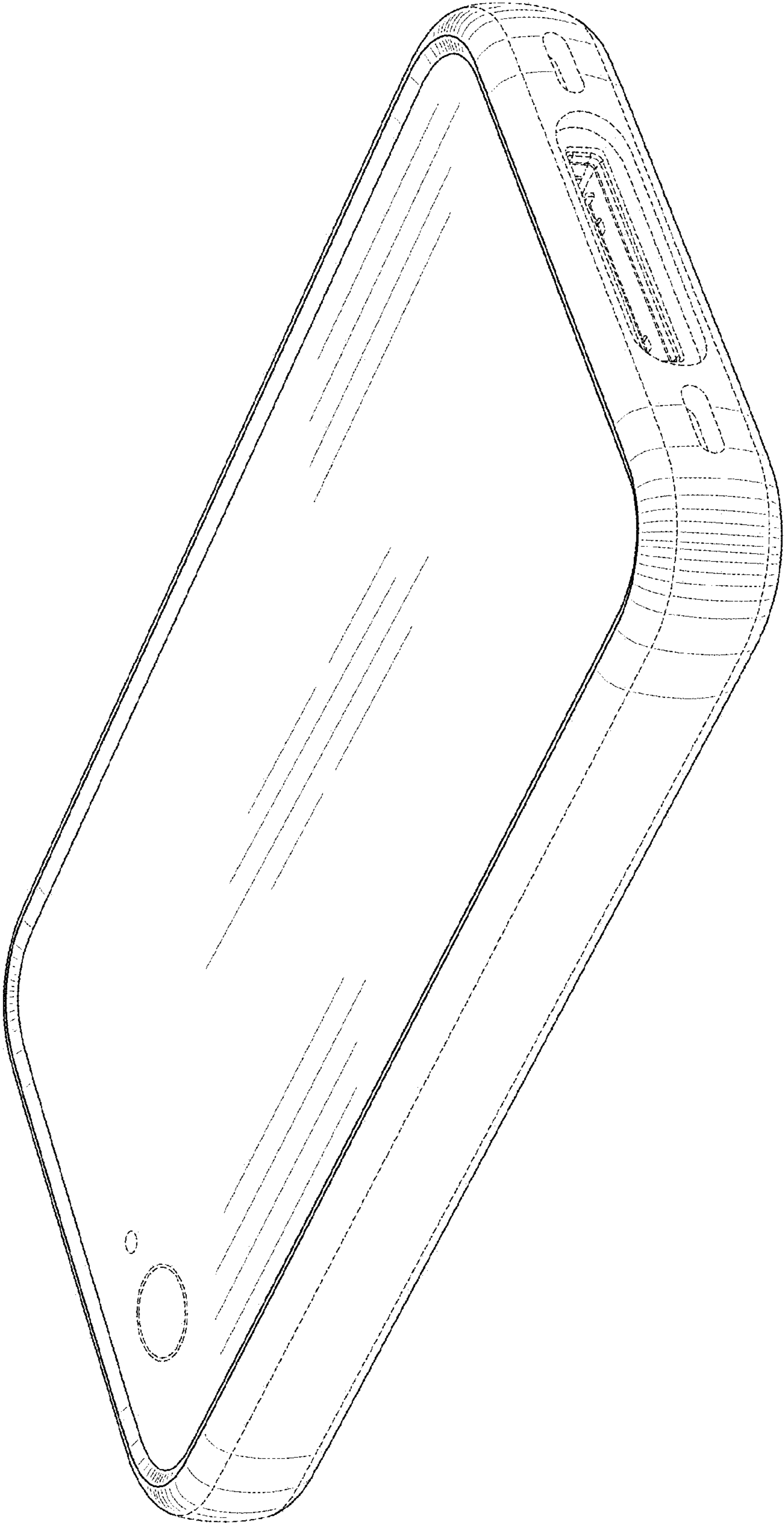


FIG. 4

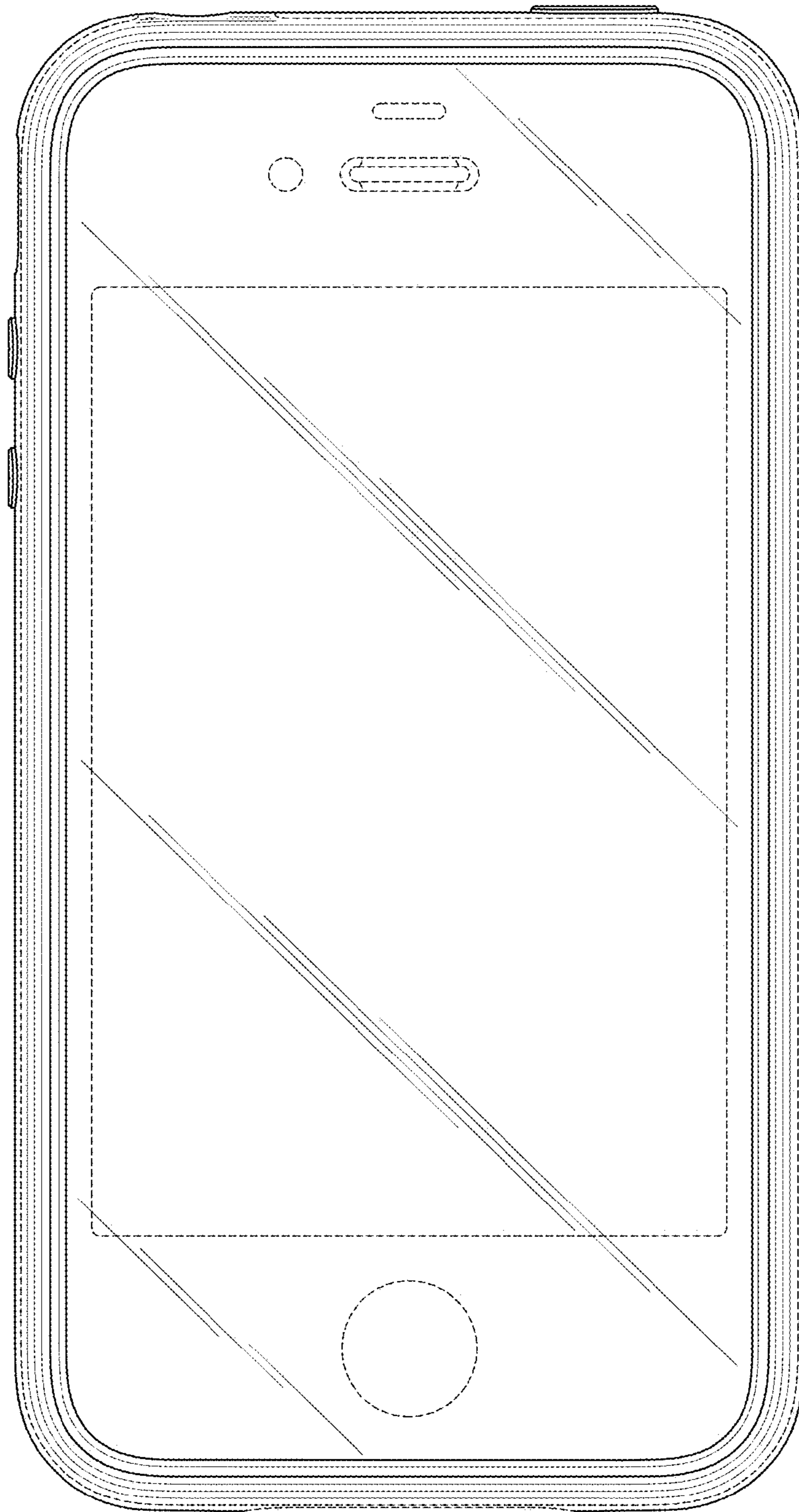


FIG. 5

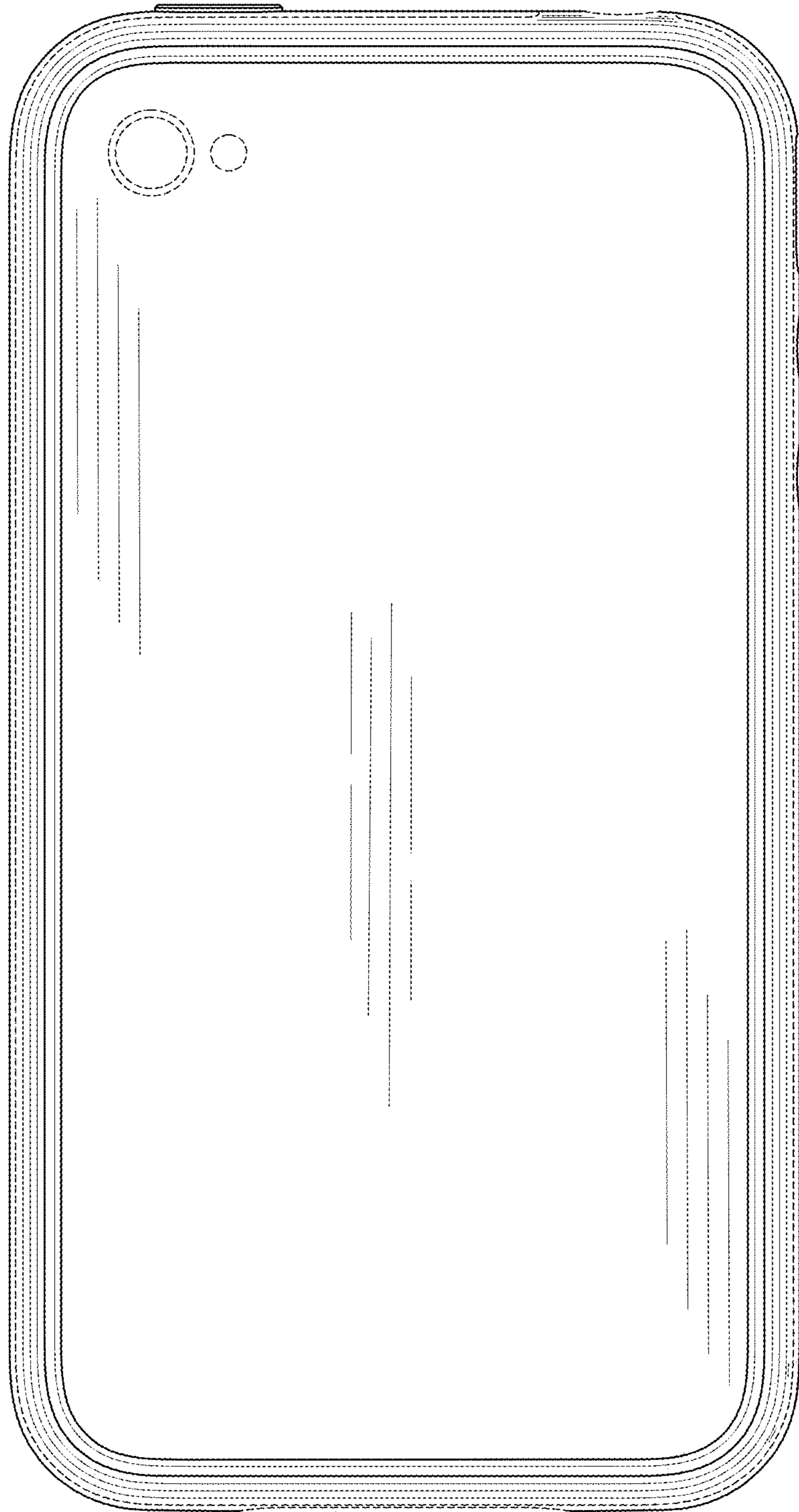


FIG. 6

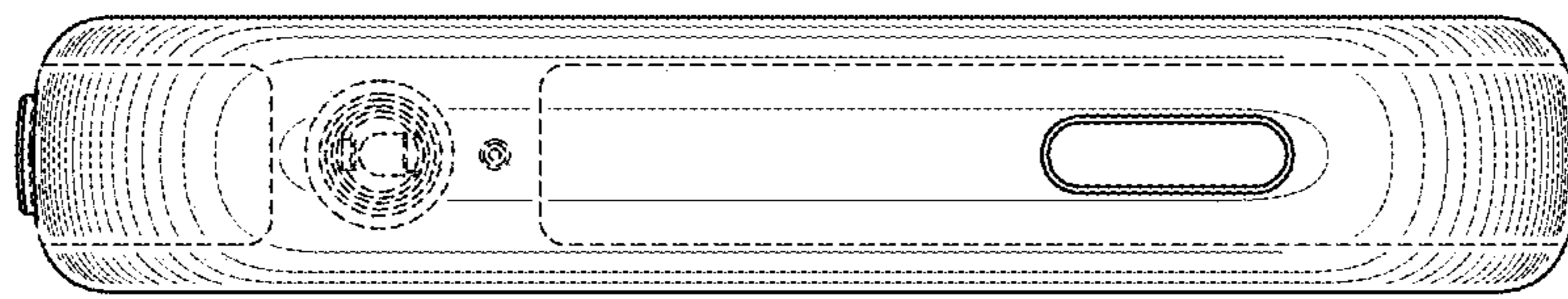


FIG. 7



FIG. 8

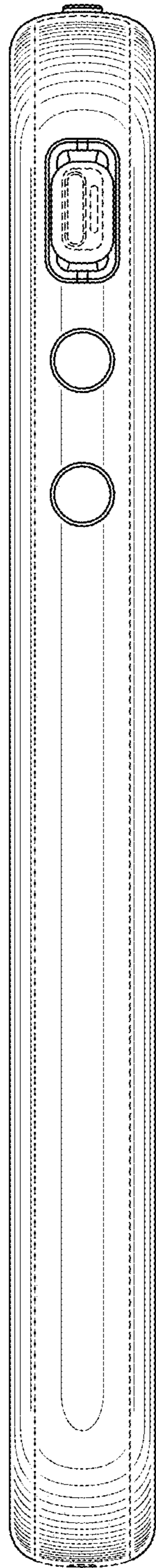


FIG. 9

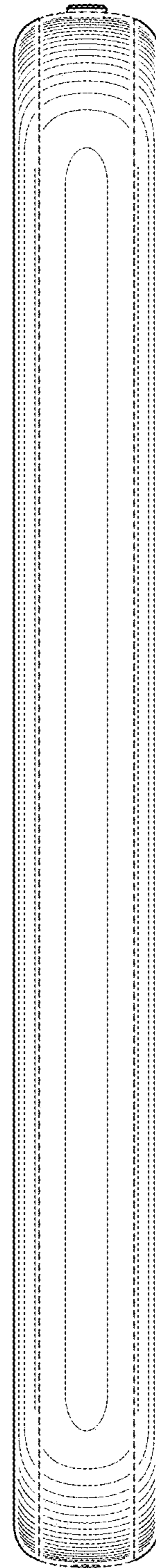


FIG. 10