



US00D692868S

(12) **United States Design Patent**
Roka

(10) **Patent No.:** **US D692,868 S**

(45) **Date of Patent:** **** Nov. 5, 2013**

(54) **REMOTE CONTROL**

(71) Applicant: **Cox Communications, Inc.**, Atlanta, GA (US)

(72) Inventor: **Pujan Roka**, Atlanta, GA (US)

(73) Assignee: **Cox Communications, Inc.**, Atlanta, GA (US)

(**) Term: **14 Years**

(21) Appl. No.: **29/441,999**

(22) Filed: **Jan. 11, 2013**

(51) **LOC (9) Cl.** **14-03**

(52) **U.S. Cl.**
USPC **D14/218**

(58) **Field of Classification Search**
USPC D14/218, 455; D13/168; D21/566;
D10/104, 106; 345/169; 348/14.05,
348/114, 211.99, 734; 340/825.24; 341/22;
455/92, 95, 128, 151.1-151.4, 352,
455/355, FOR. 121; 700/65

See application file for complete search history.

(56) **References Cited**

U.S. PATENT DOCUMENTS

D350,744 S *	9/1994	Hino	D14/138 R
D368,264 S *	3/1996	Laituri	D14/218
D393,628 S *	4/1998	Ledbetter et al.	D13/168
D396,232 S *	7/1998	Renk et al.	D14/218
6,192,221 B1 *	2/2001	Hasegawa	455/575.3
D476,975 S *	7/2003	Rodriquez, Sr.	D14/218
D492,283 S *	6/2004	Adam	D14/218
D518,031 S *	3/2006	Wu	D14/218
D520,495 S *	5/2006	Dukerschein et al.	D14/218
D568,298 S *	5/2008	Lundgren et al.	D14/218
D614,607 S *	4/2010	Kamegi	D14/218
D643,023 S *	8/2011	Lee et al.	D14/218
D652,819 S *	1/2012	Behar	D14/218
D653,240 S *	1/2012	Wakata	D14/218
D660,825 S *	5/2012	Harden et al.	D14/218
D661,688 S *	6/2012	Weitgasser	D14/218

* cited by examiner

Primary Examiner — John Windmuller

(74) *Attorney, Agent, or Firm* — Benjamin A. Balsler; Balsler & Grell IP Law, LLC

(57) **CLAIM**

The ornamental design for a remote control, as shown and described.

DESCRIPTION

FIG. 1 is a top perspective view of the remote control in an open position;
 FIG. 2 is a side perspective view of the remote control in an open position;
 FIG. 3 is a side perspective view of the remote control in an open position;
 FIG. 4 is an end perspective view of the remote control in an open position;
 FIG. 5 is an end perspective view of the remote control in an open position;
 FIG. 6 is a top perspective view of the remote control in an open position;
 FIG. 7 is a bottom perspective view of the remote control in an open position;
 FIG. 8 is a bottom perspective view of the remote control in an open position;
 FIG. 9 is a top perspective view of the remote control in an open position;
 FIG. 10 is a side perspective view of the remote control in an open position;
 FIG. 11 is a side perspective view of the remote control in an open position;
 FIG. 12 is an end perspective view of the remote control in an open position;
 FIG. 13 is an end perspective view of the remote control in an open position;
 FIG. 14 is a top perspective view of the remote control in an open position;
 FIG. 15 is a bottom perspective view of the remote control in an open position;
 FIG. 16 is a bottom perspective view of the remote control in an open position;
 FIG. 17 is a top perspective view of the remote control in a closed position;

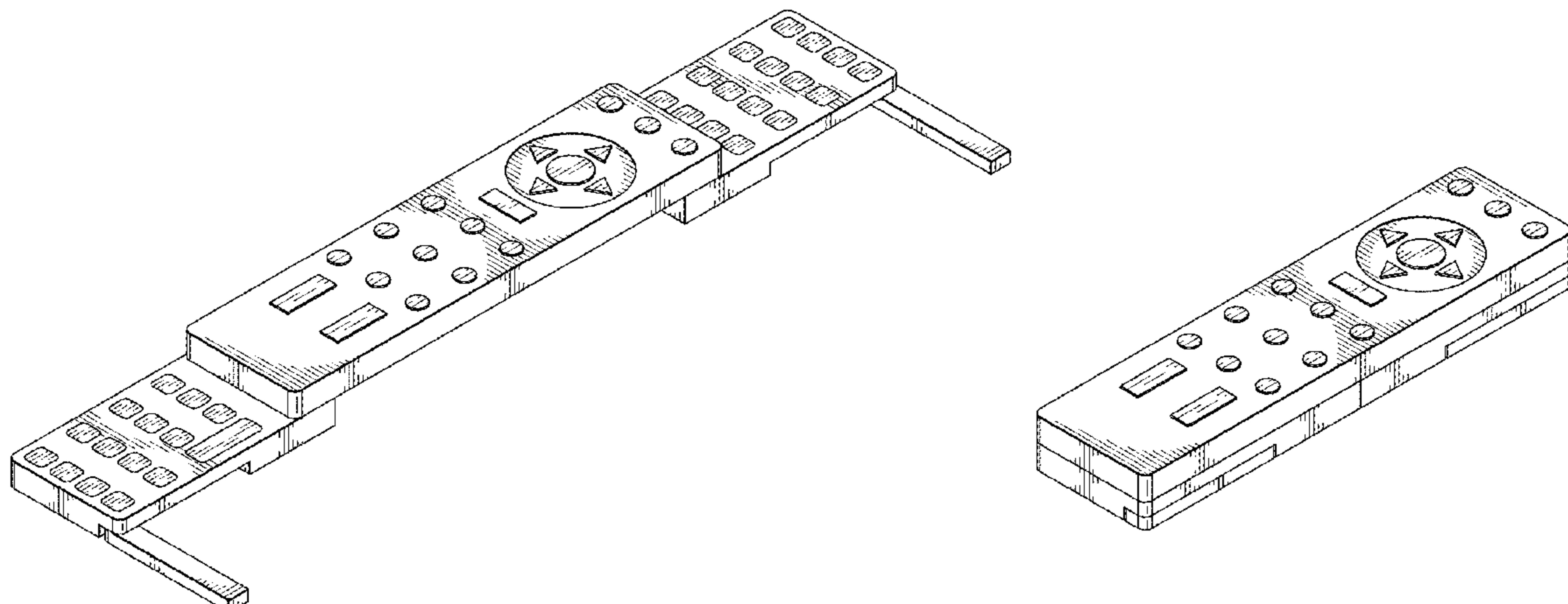


FIG. **18** is a side perspective view of the remote control in a closed position;

FIG. **19** is a side perspective view of the remote control in a closed position;

FIG. **20** is an end perspective view of the remote control in a closed position;

FIG. **21** is an end perspective view of the remote control in a closed position;

FIG. **22** is a top perspective view of the remote control in a closed position;

FIG. **23** is a bottom perspective view of the remote control in a closed position; and,

FIG. **24** is a bottom perspective view of the remote control in a closed position.

1 Claim, 16 Drawing Sheets

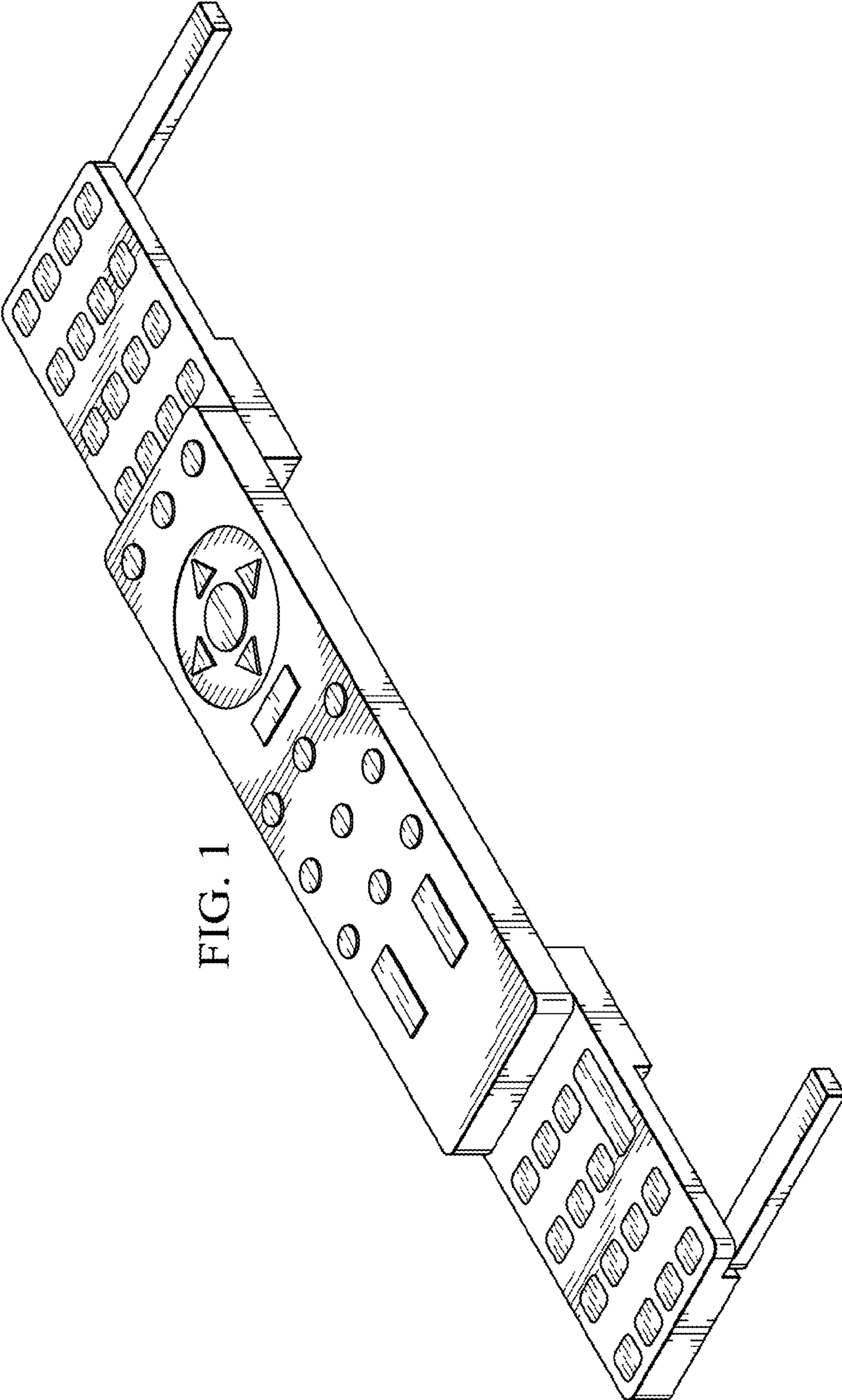


FIG. 1

FIG. 2



FIG. 3



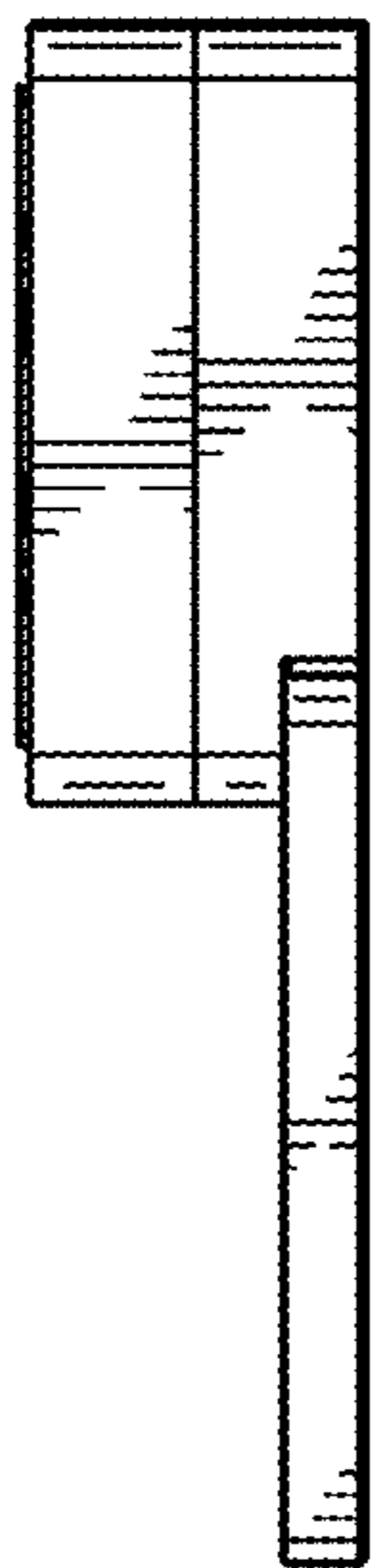


FIG. 4

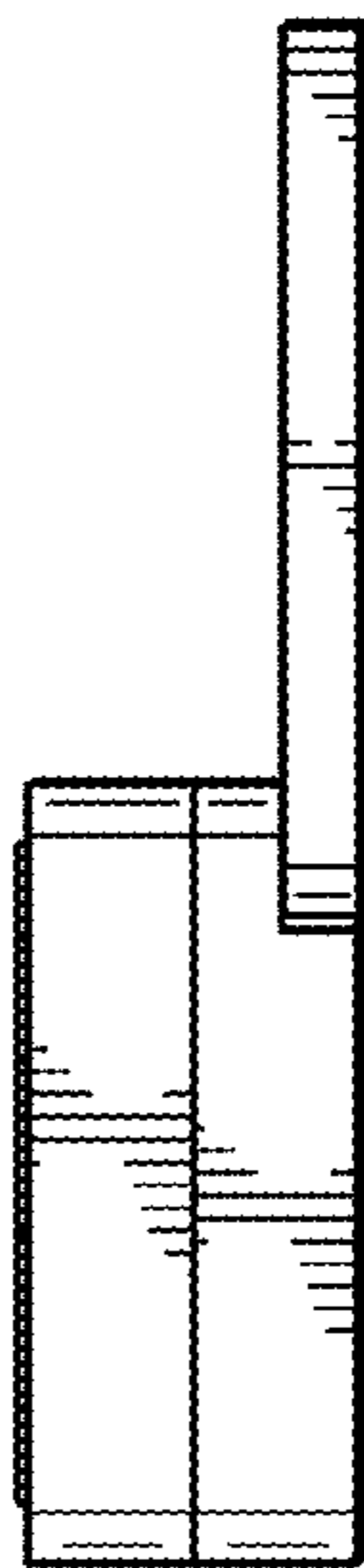


FIG. 5

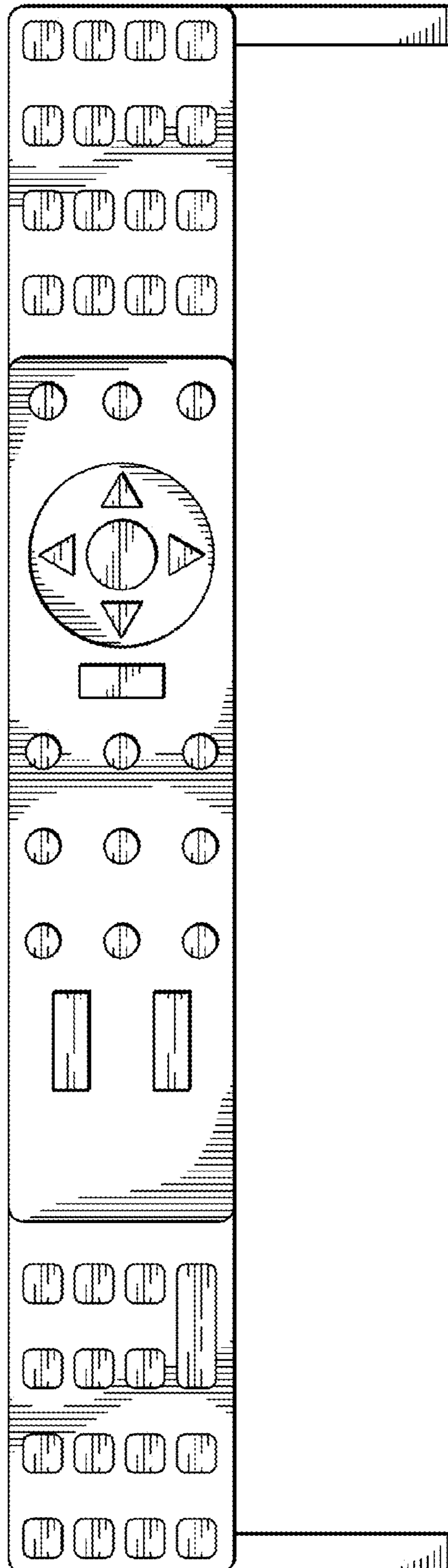
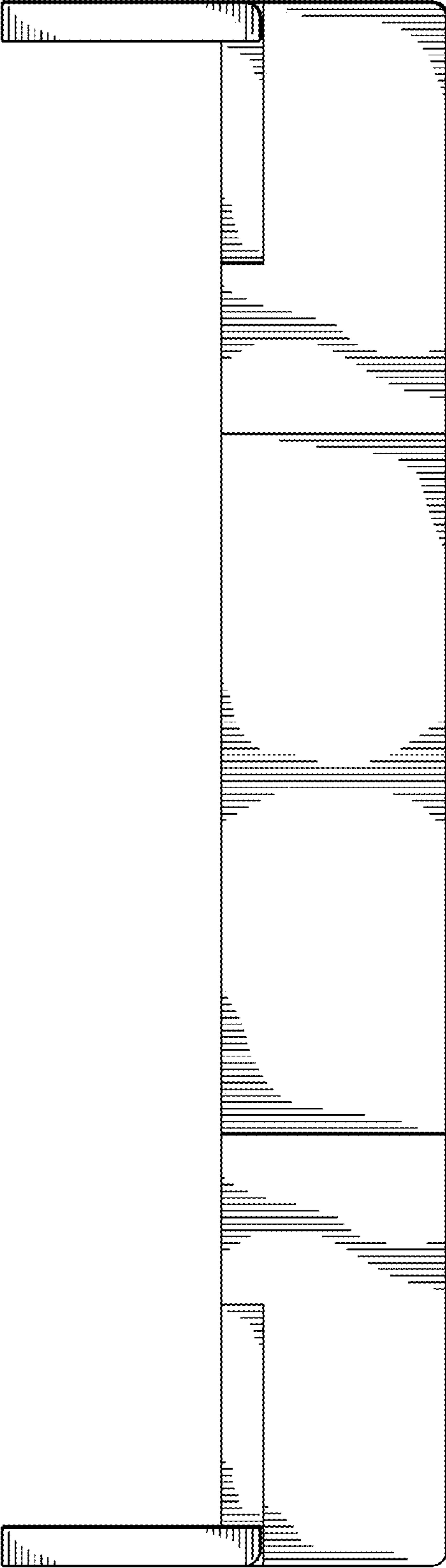


FIG. 6

FIG. 7



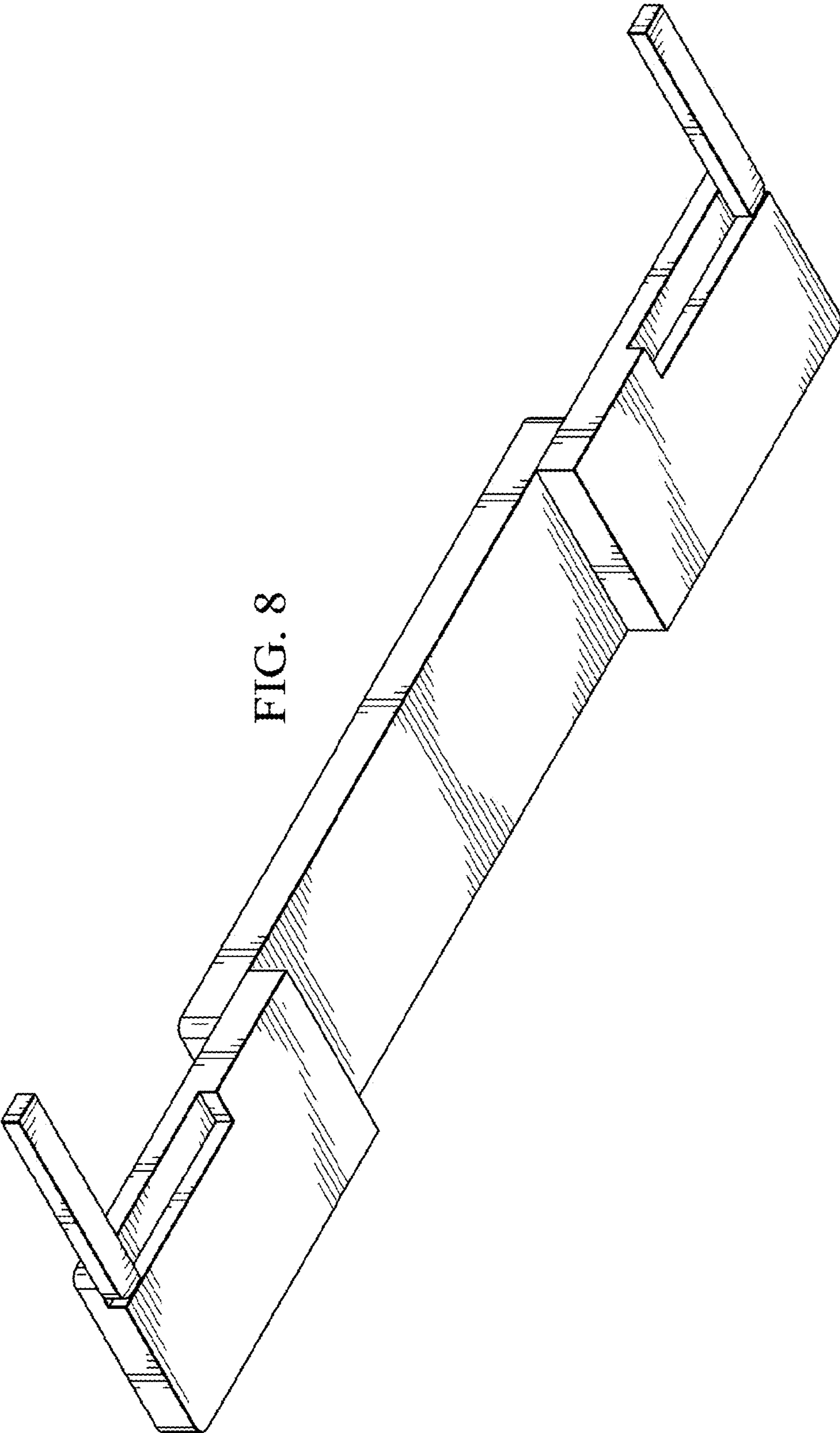


FIG. 8

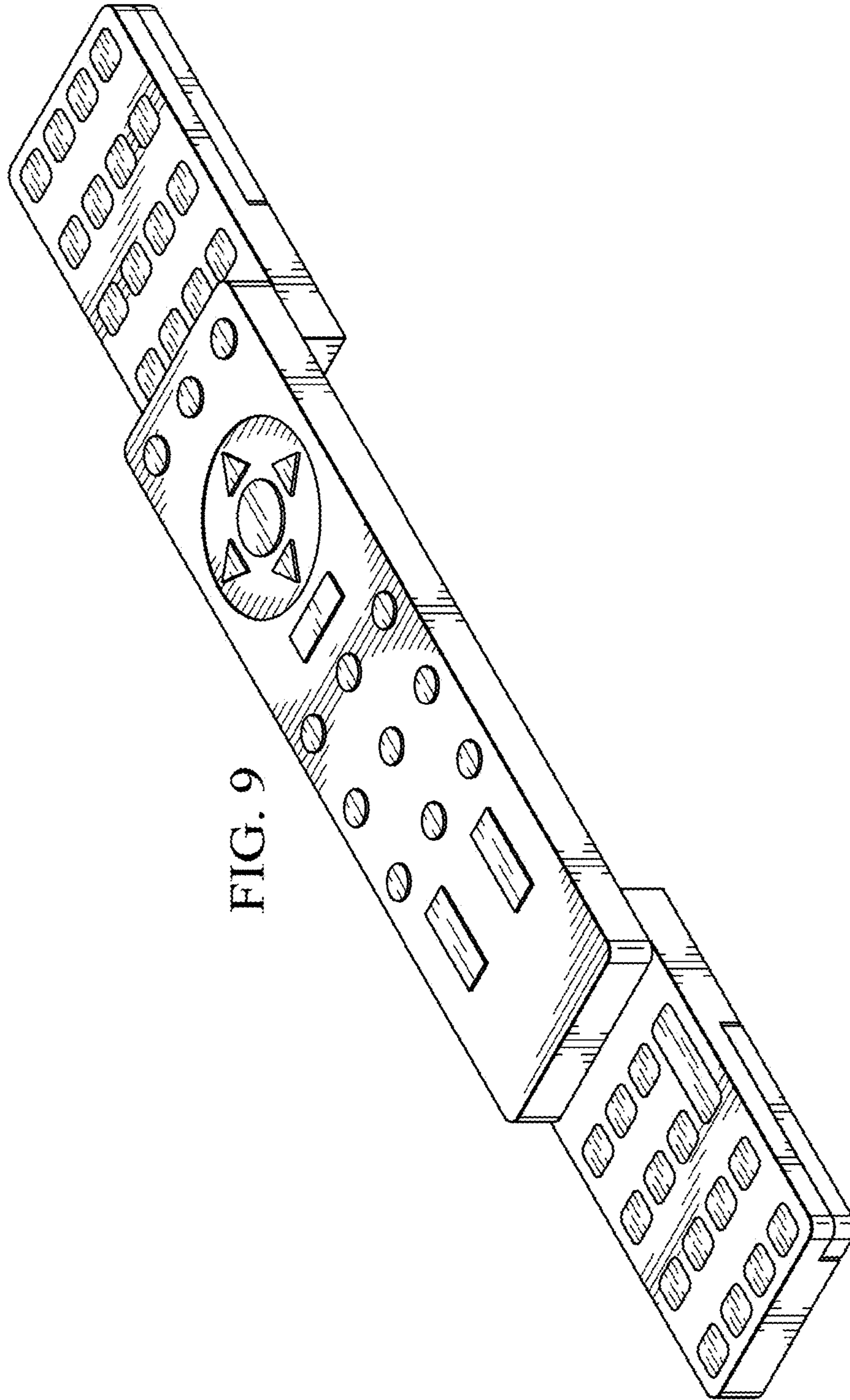


FIG. 9

FIG. 10



FIG. 11

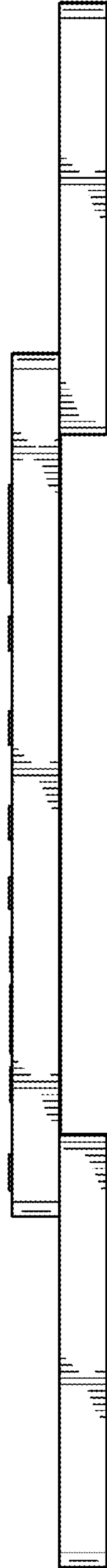




FIG. 12

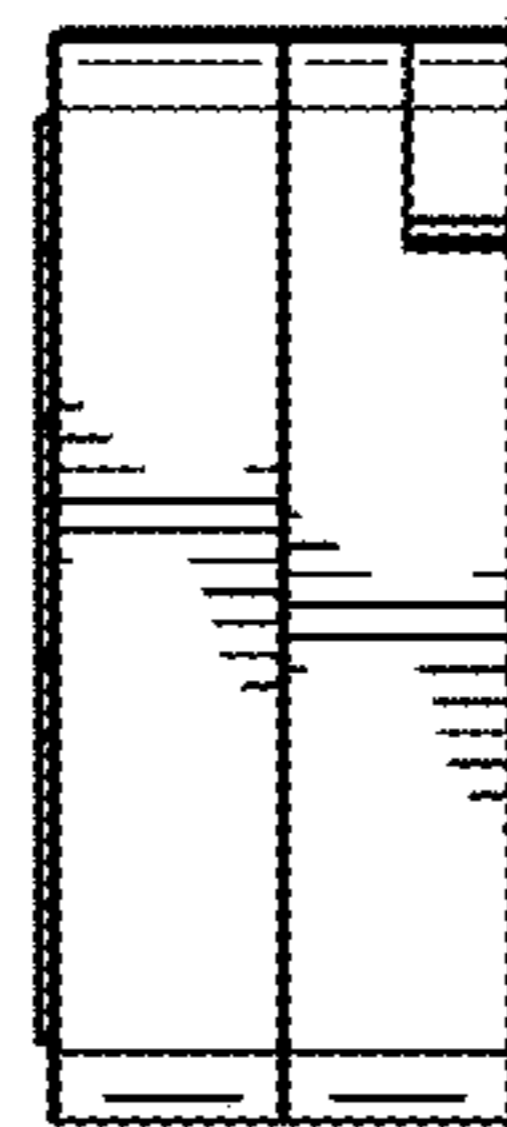


FIG. 13

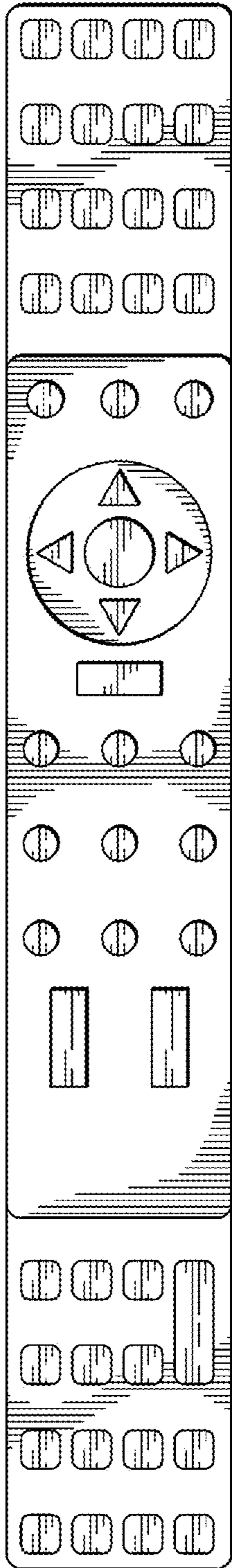


FIG. 14

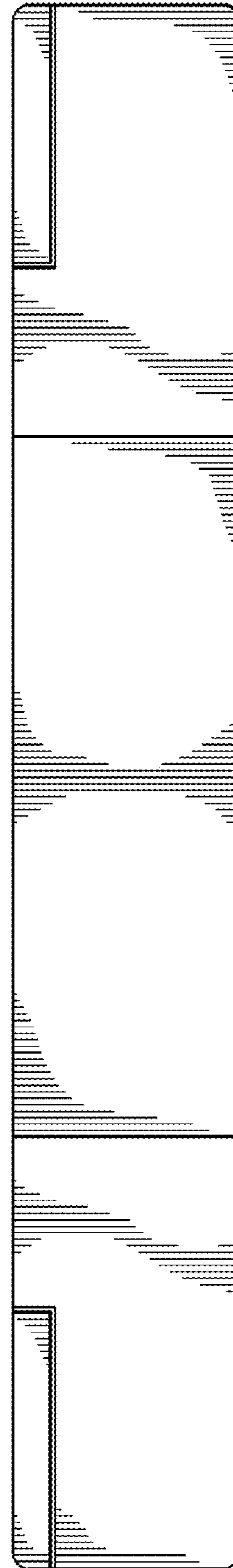


FIG. 15

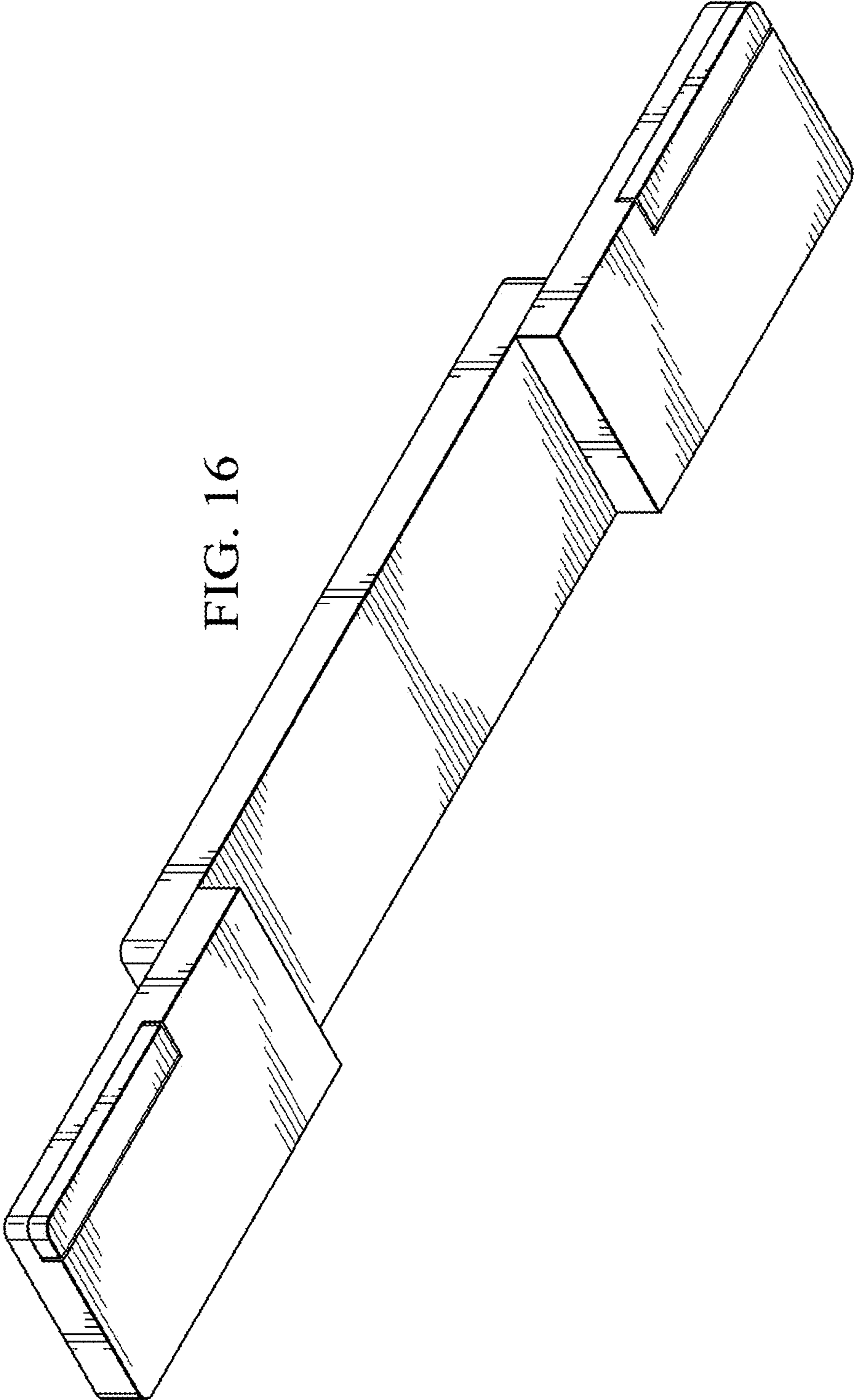


FIG. 16

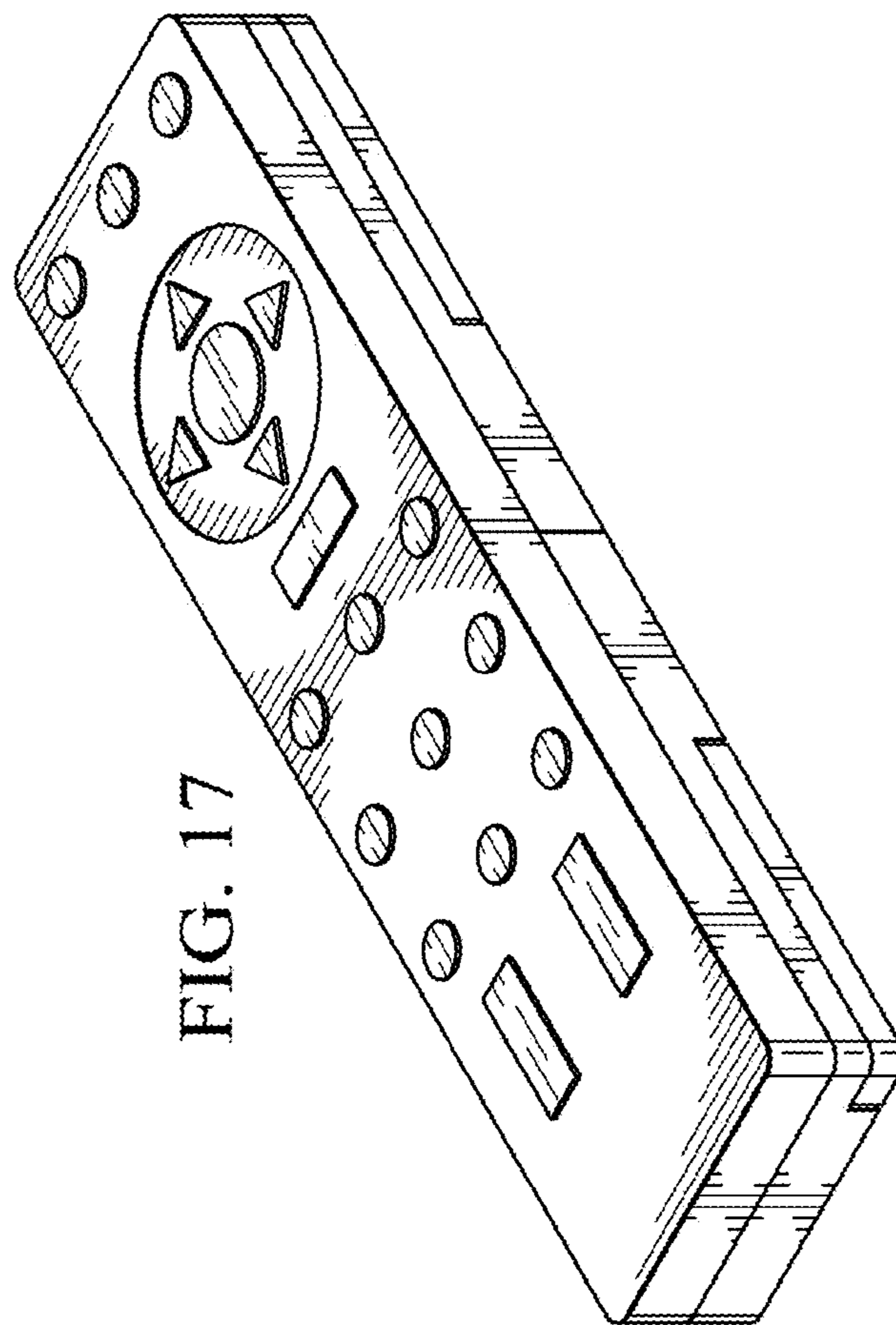


FIG. 17

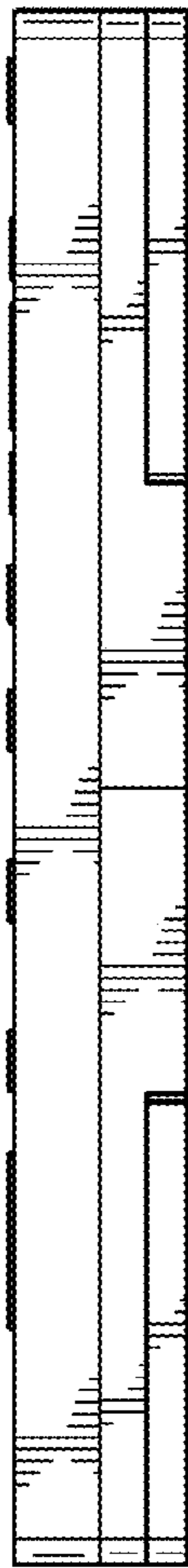


FIG. 18



FIG. 19

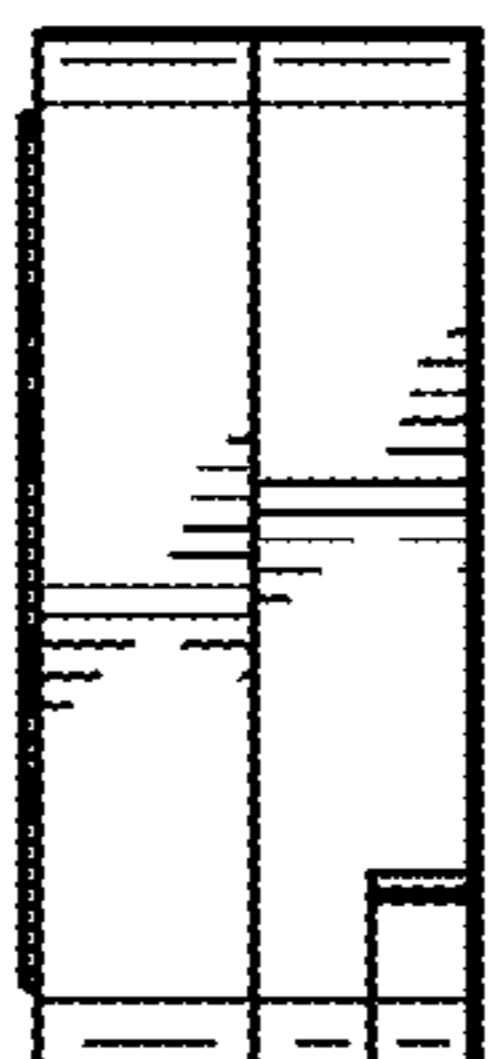


FIG. 20



FIG. 21

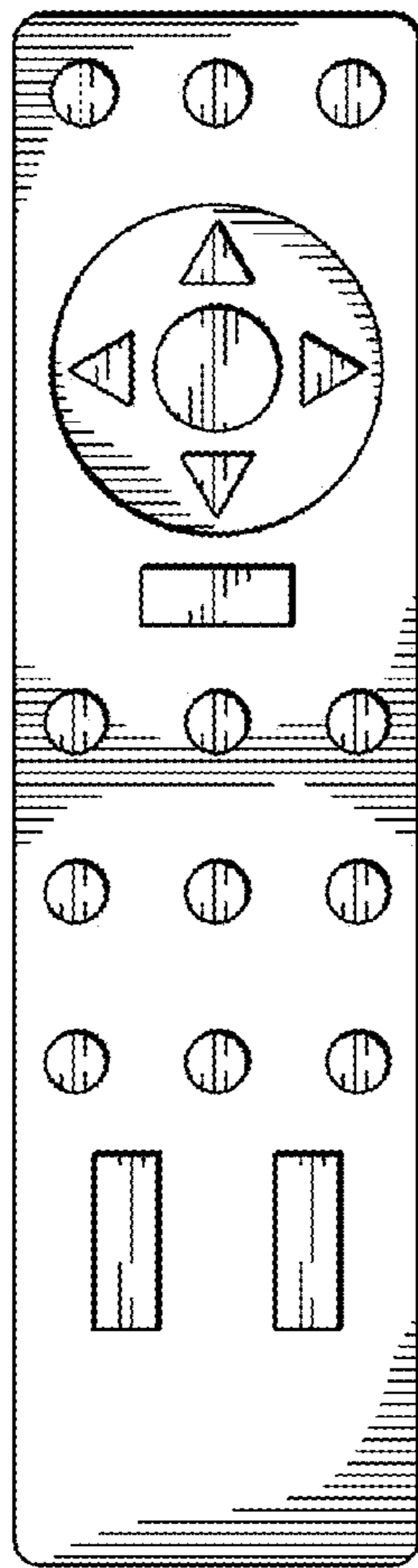


FIG. 22



FIG. 23

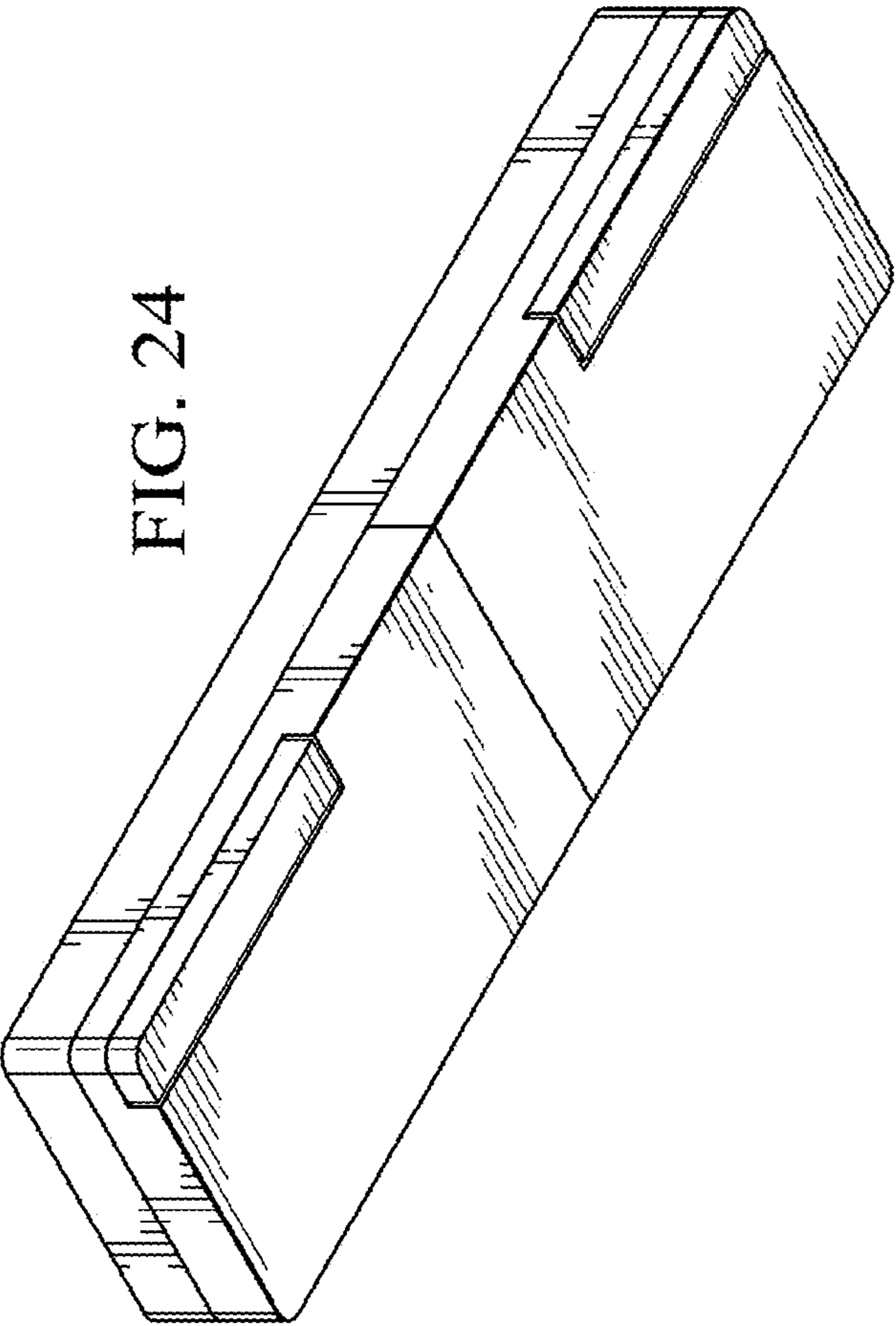


FIG. 24