



US00D692866S

(12) **United States Design Patent**
Tanaka

(10) **Patent No.:** **US D692,866 S**

(45) **Date of Patent:** **** Nov. 5, 2013**

(54) **SPEAKER**

(71) Applicant: **Yamaha Corporation**, Hamamatsu (JP)

(72) Inventor: **Soichiro Tanaka**, Shizuoka (JP)

(73) Assignee: **Yamaha Corporation**, Shizuoka (JP)

(**) Term: **14 Years**

(21) Appl. No.: **29/439,308**

(22) Filed: **Dec. 10, 2012**

(30) **Foreign Application Priority Data**

Aug. 29, 2012 (JP) 2012-020710

(51) **LOC (9) Cl.** **14-03**

(52) **U.S. Cl.**
USPC **D14/215**

(58) **Field of Classification Search**

USPC D14/167, 168, 170–172, 188, 194–196,
D14/204, 207, 209.1, 210–216, 221, 222;
181/143, 144, 147, 148, 150, 153, 157,
181/198, 199; 381/300–303, 306, 332, 333,
381/336, 345, 361–364, 386–388;
D13/107, 108; 455/344–351; 369/6–12
See application file for complete search history.

(56) **References Cited**

U.S. PATENT DOCUMENTS

D317,008 S * 5/1991 Emmerling D14/215
D417,217 S * 11/1999 Heath D14/215

D531,988 S * 11/2006 Green D14/215
D547,750 S * 7/2007 Yuyama D14/214
D548,222 S * 8/2007 Kim D14/214
D571,786 S * 6/2008 Cho D14/215
D624,047 S * 9/2010 Kim D14/215
D627,329 S * 11/2010 Ryu et al. D14/168
D638,401 S * 5/2011 Woo et al. D14/214
D638,824 S * 5/2011 Hotta D14/215
D645,453 S * 9/2011 Kim et al. D14/215
D664,119 S * 7/2012 Won et al. D14/215
D671,527 S * 11/2012 Lee et al. D14/215

* cited by examiner

Primary Examiner — Keli L Hill

(74) *Attorney, Agent, or Firm* — Sughrue Mion, PLLC

(57) **CLAIM**

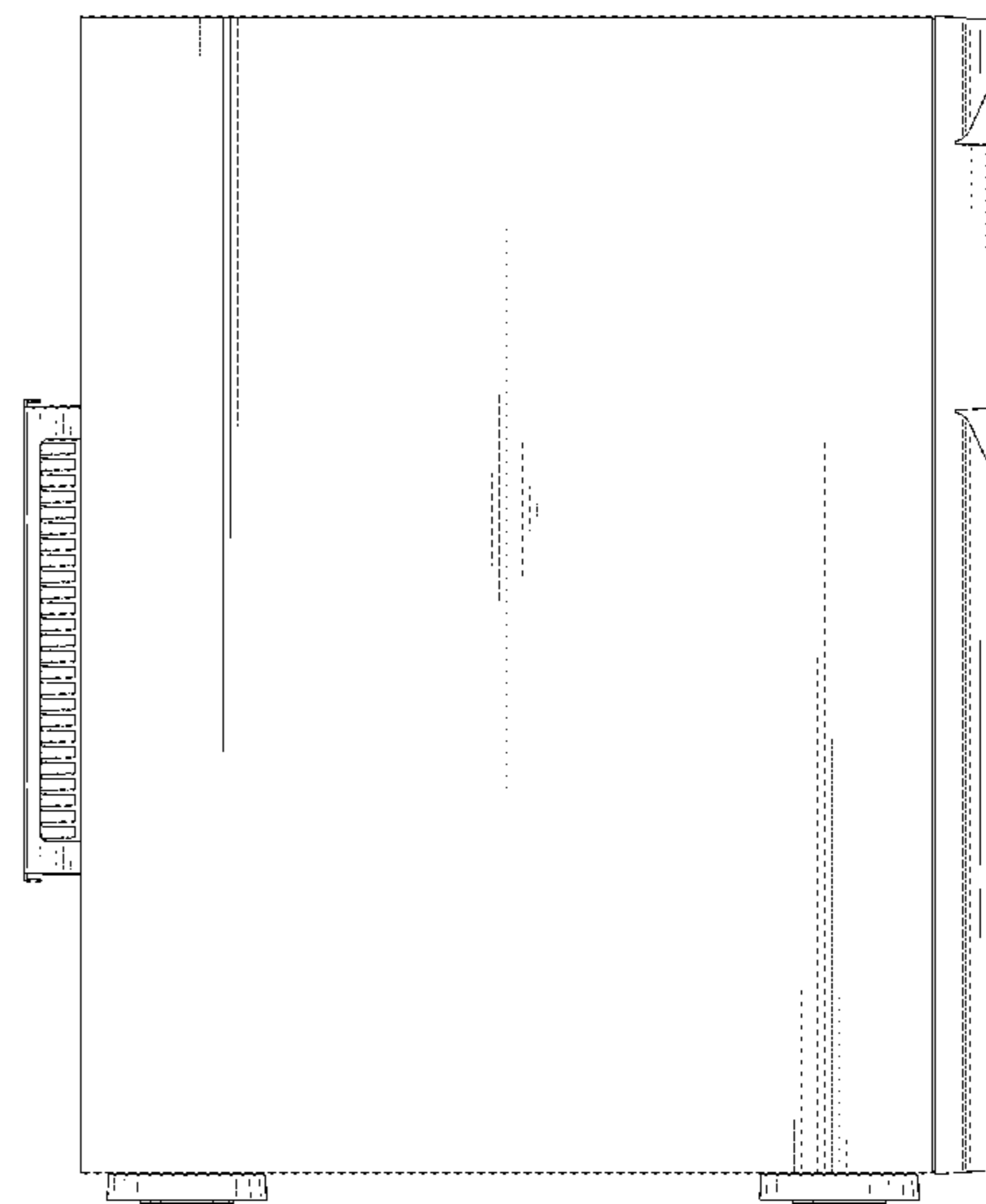
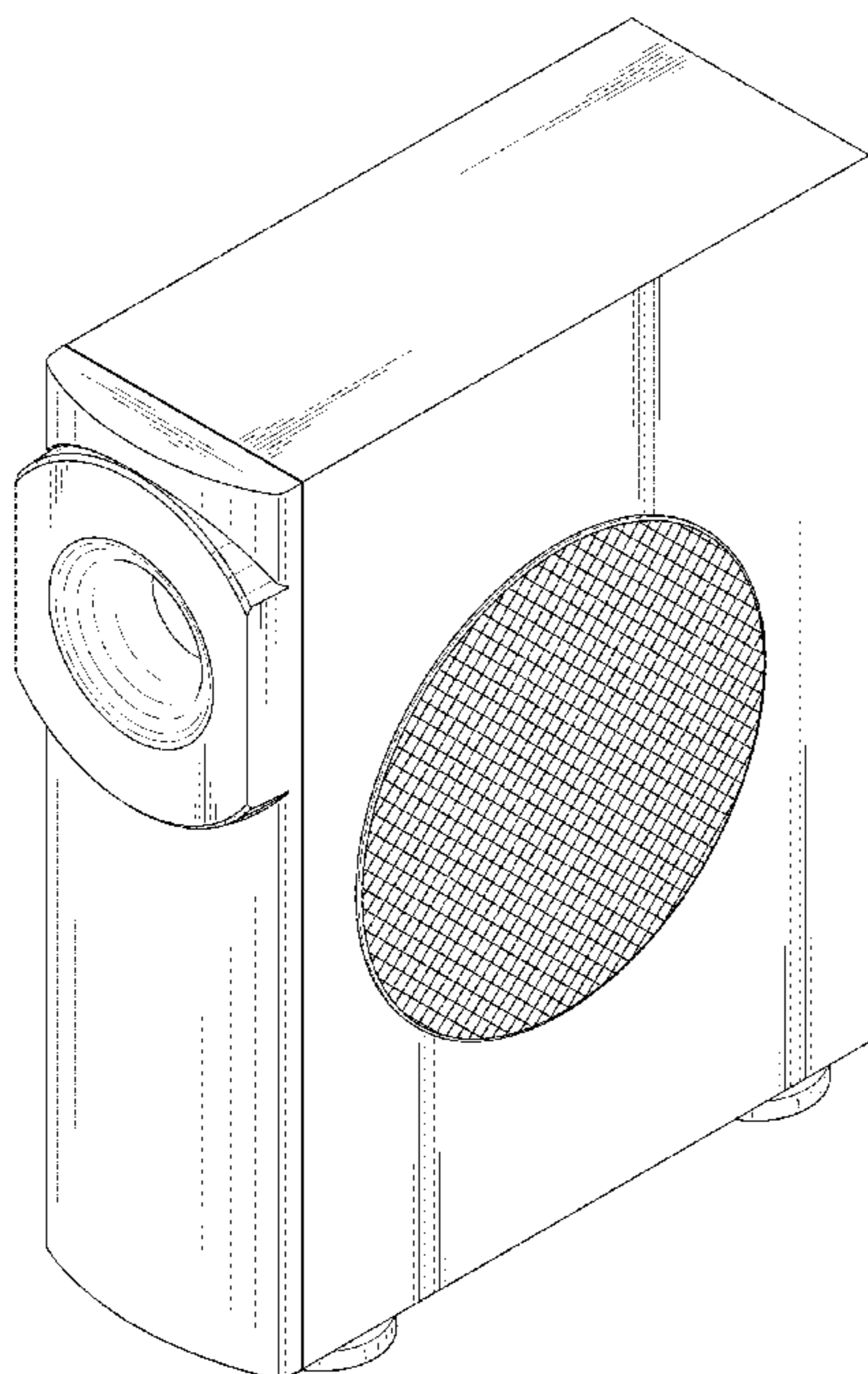
The ornamental design for a speaker, as shown and described.

DESCRIPTION

FIG. 1 is a perspective view of the front, top and right side of a speaker showing my new design;
FIG. 2 is a front view thereof;
FIG. 3 is a rear view thereof;
FIG. 4 is a left side view thereof;
FIG. 5 is a right side view thereof;
FIG. 6 is a top plan view thereof; and,
FIG. 7 is a bottom view thereof.

The broken line showing of the speaker is included for the purpose of illustrating portions of the speaker and forms no part of the claimed design.

1 Claim, 5 Drawing Sheets



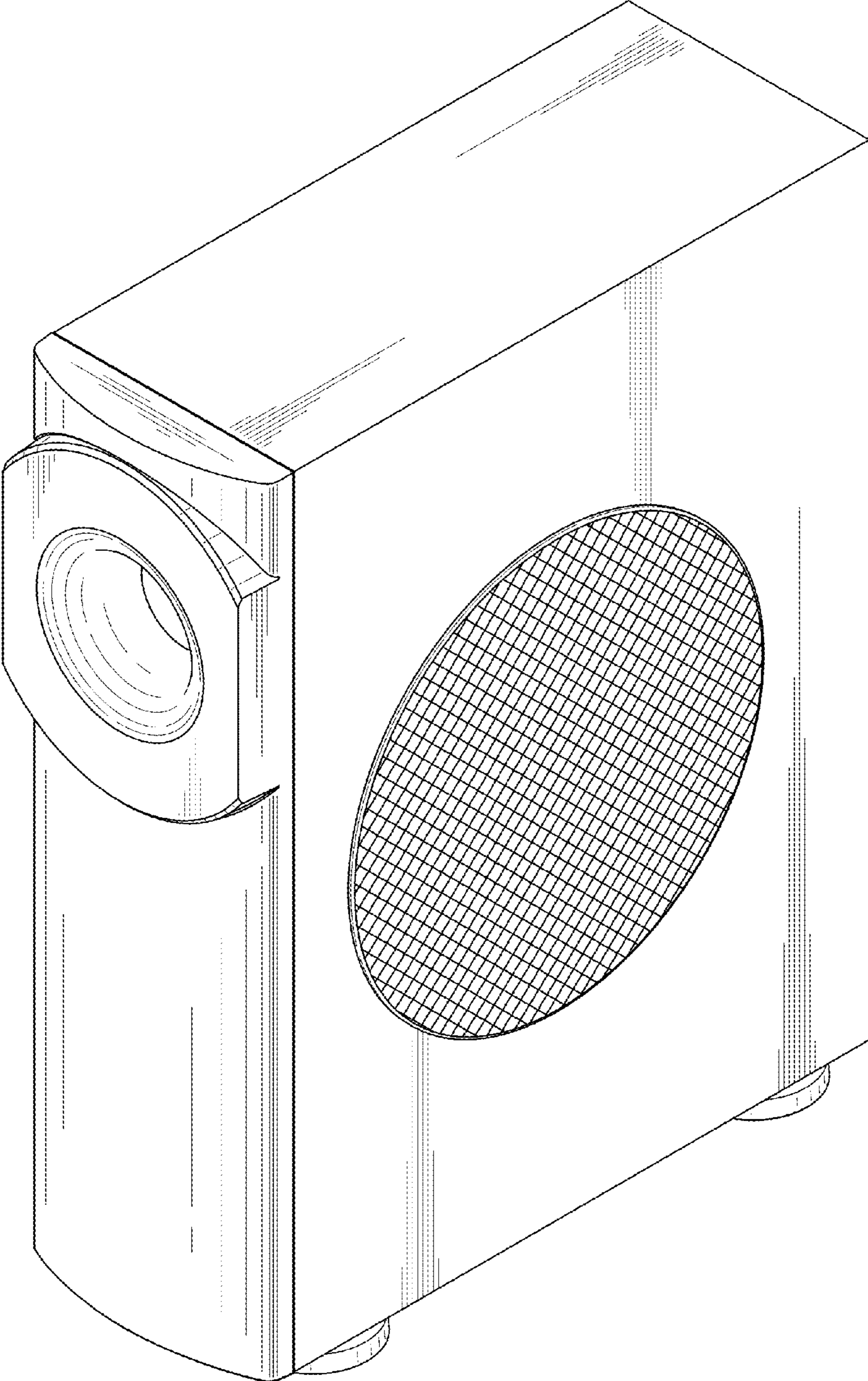


FIG. 1

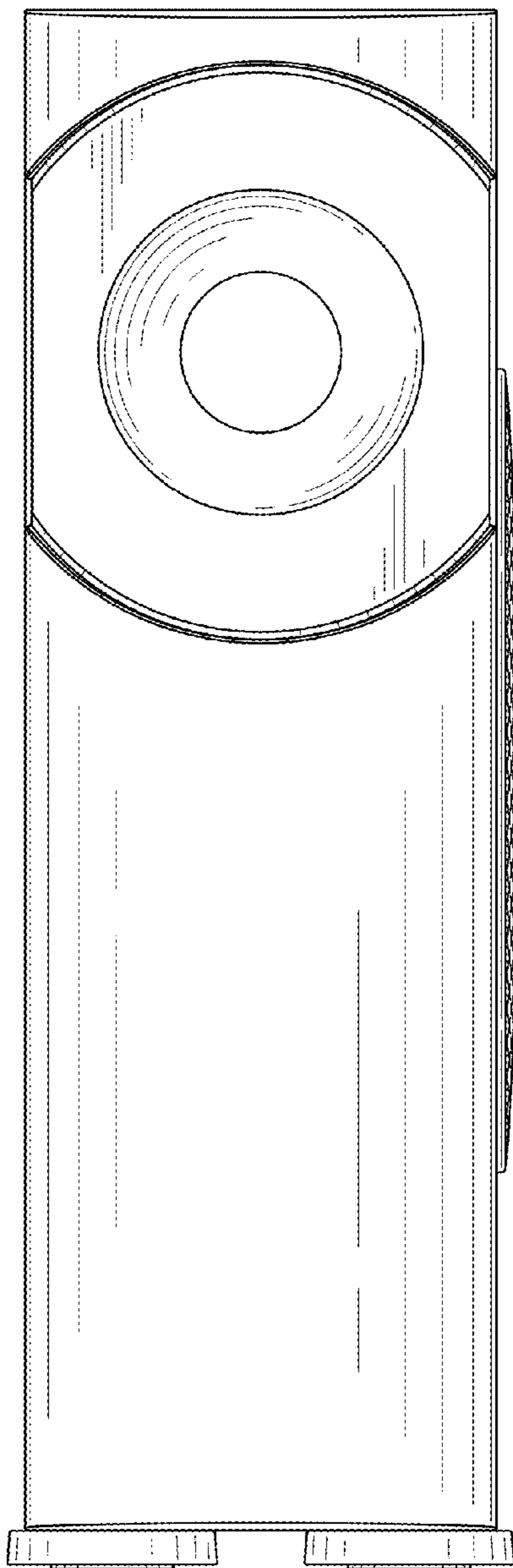


FIG. 2

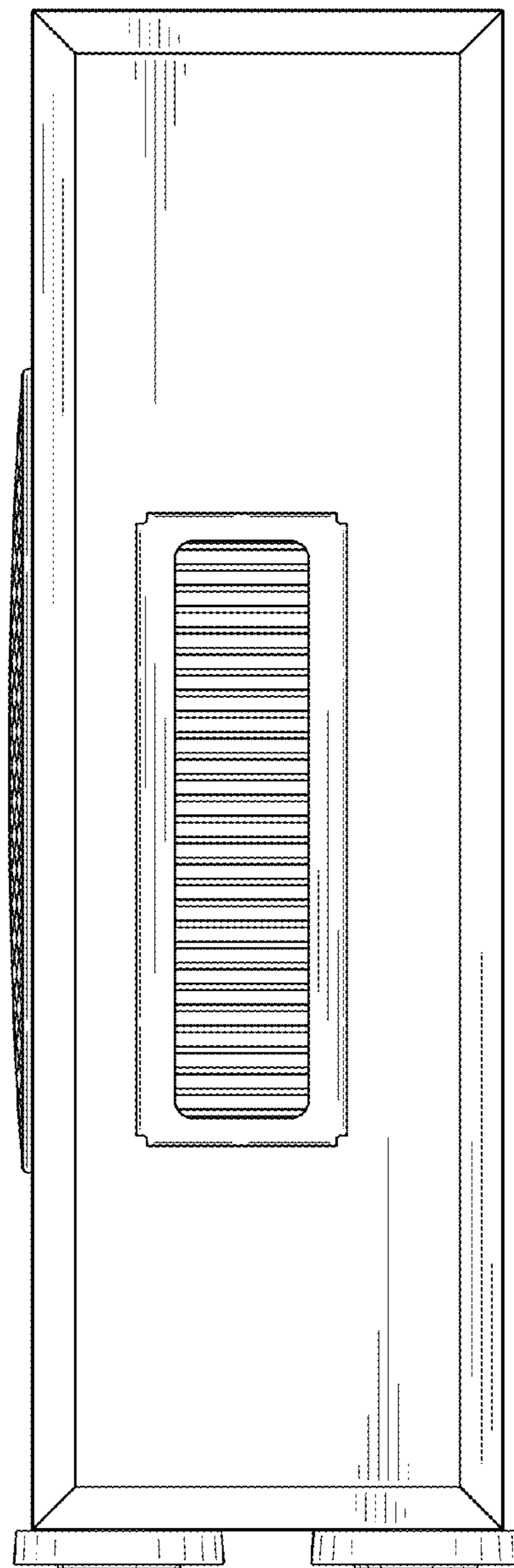


FIG. 3

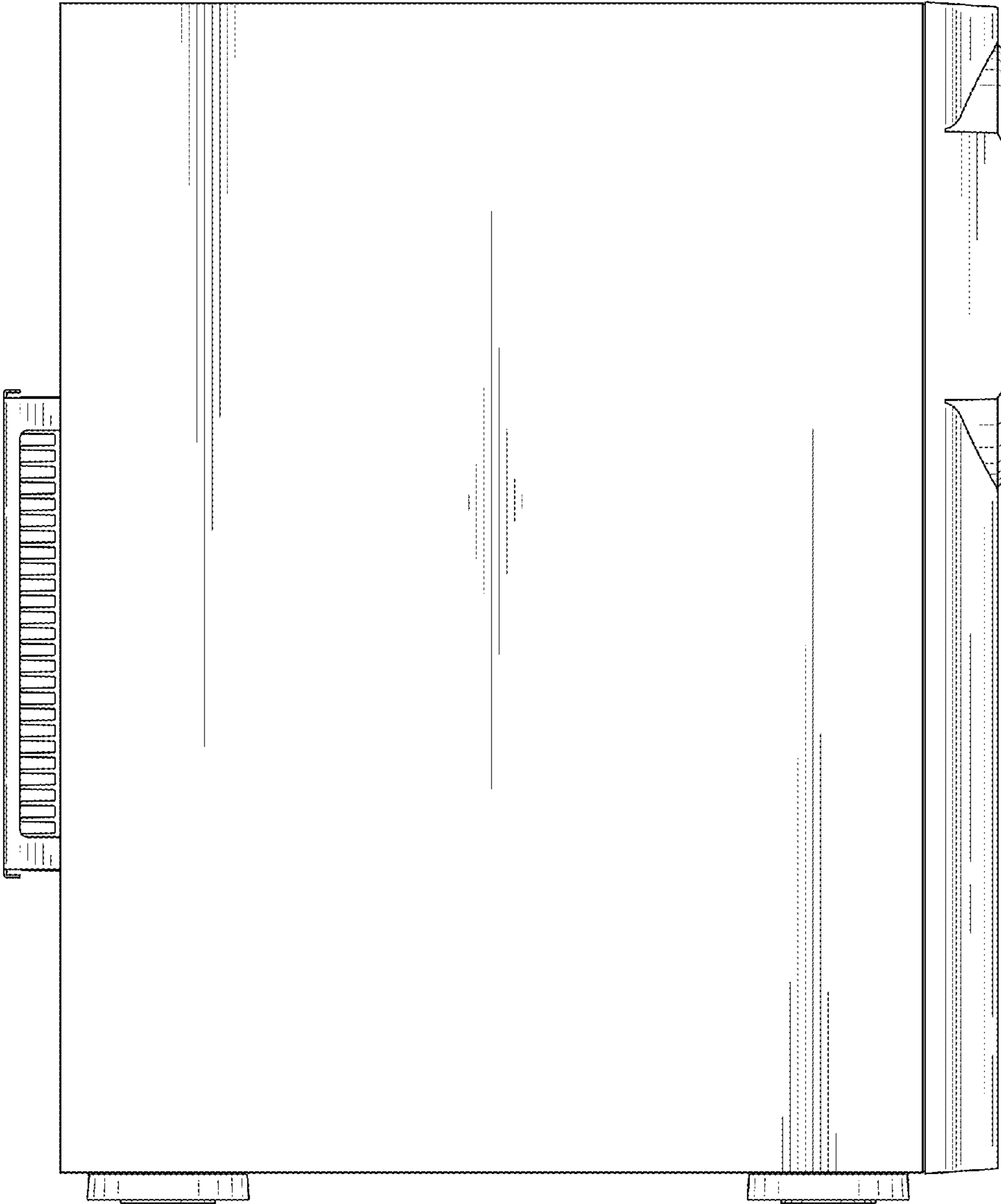


FIG. 4

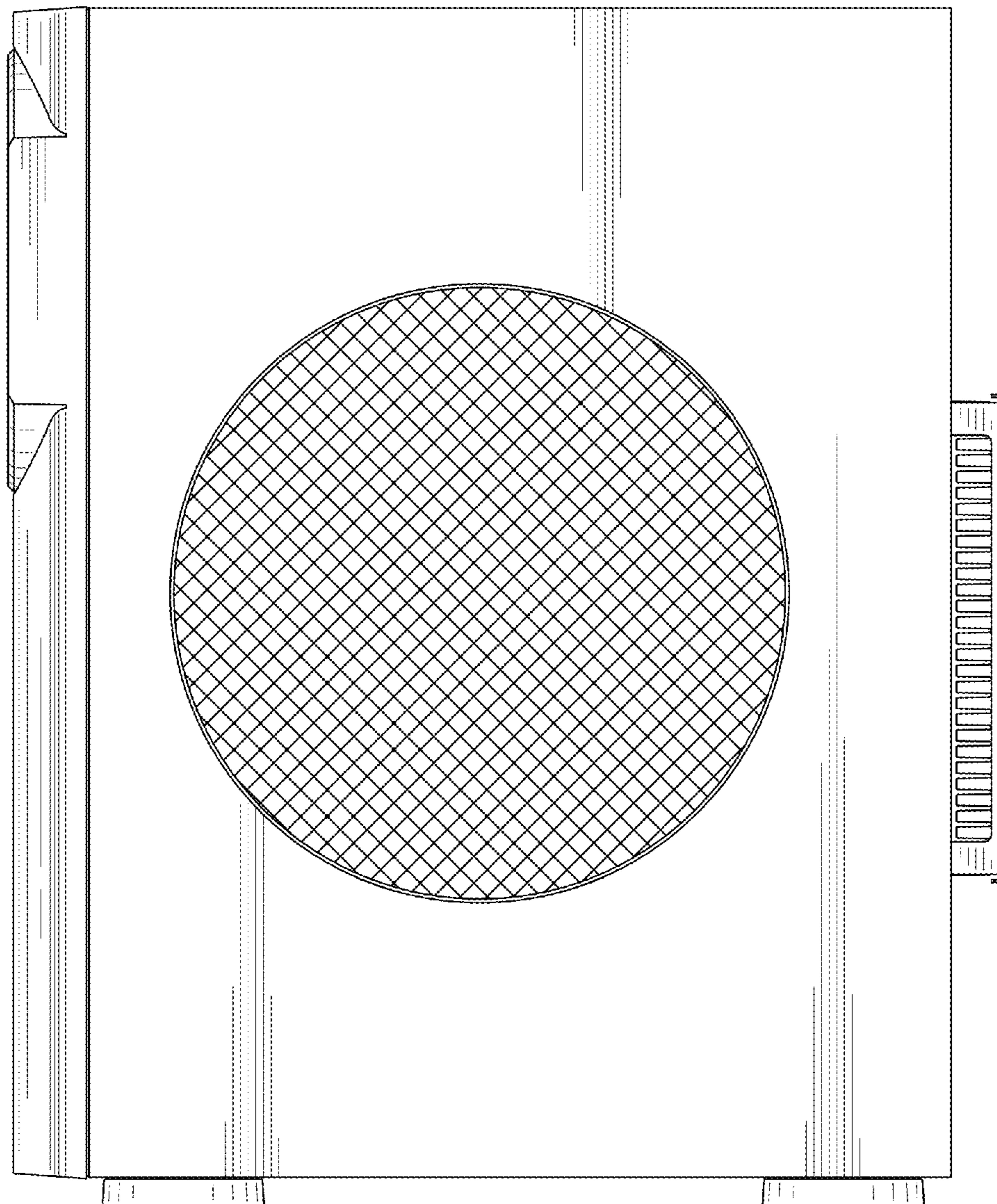


FIG. 5

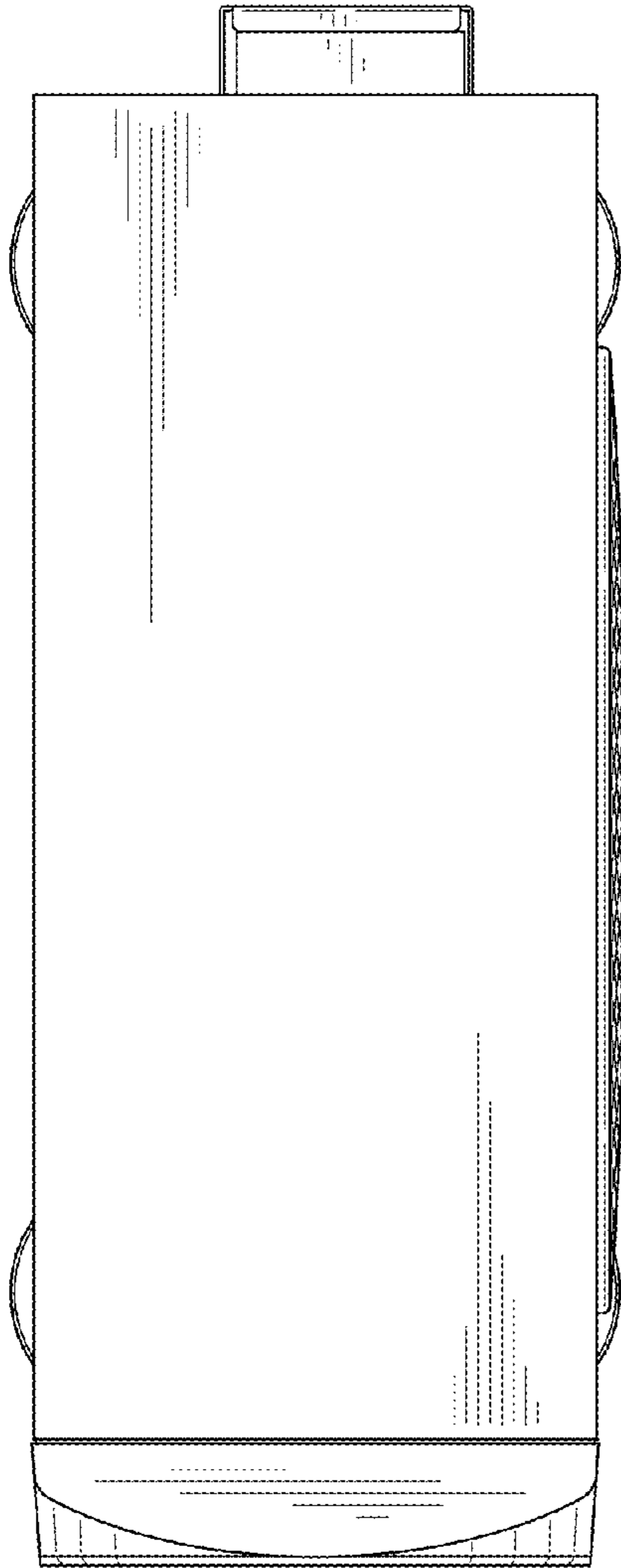


FIG. 6

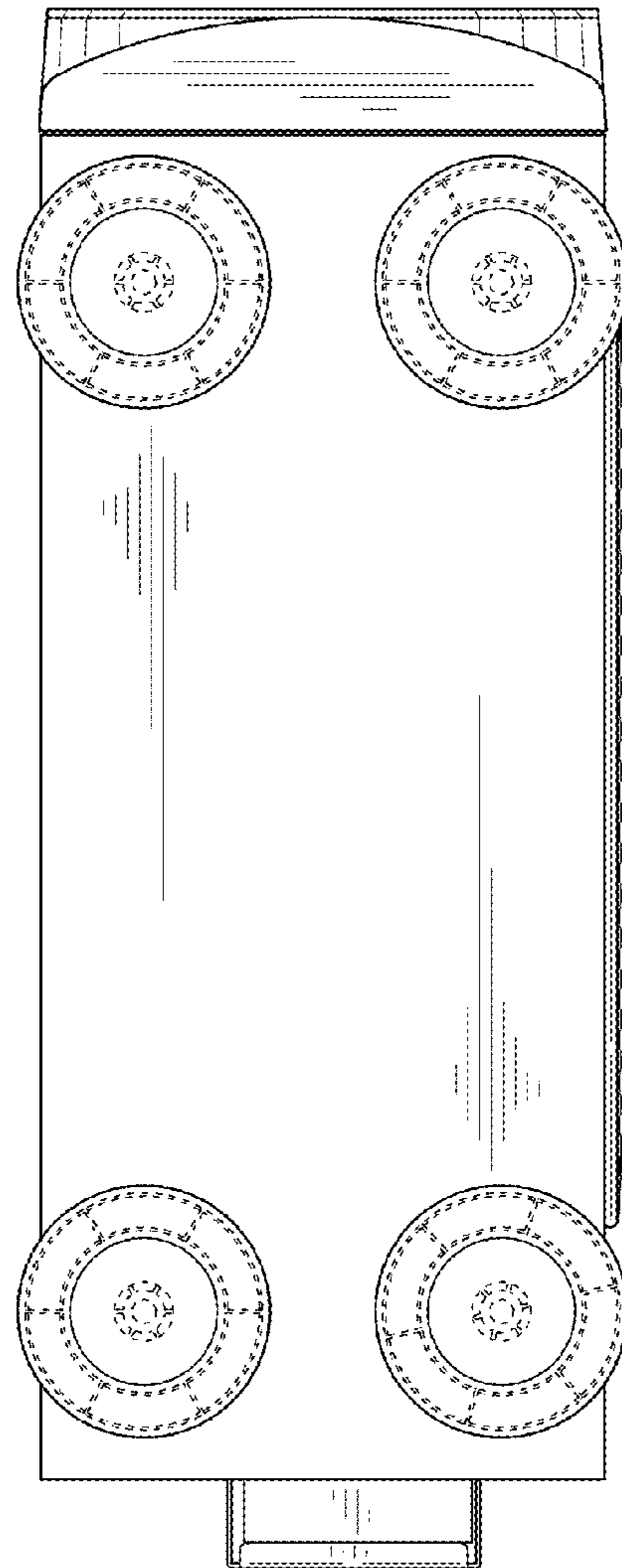


FIG. 7