

US00D692864S

(12) **United States Design Patent**
Givre et al.

(10) **Patent No.:** **US D692,864 S**

(45) **Date of Patent:** **** Nov. 5, 2013**

(54) **LOUDSPEAKER BOX**

(71) Applicant: **NEXO**, Plailly (FR)

(72) Inventors: **Christophe Givre**, Bussy Saint Georges (FR); **Eric Ecosse**, Vitry sur Seine (FR)

(73) Assignee: **NEXO**, Plailly (FR)

(**) Term: **14 Years**

(21) Appl. No.: **29/440,695**

(22) Filed: **Dec. 26, 2012**

(30) **Foreign Application Priority Data**

Jun. 22, 2012 (EM) 002062489-0003

(51) **LOC (9) Cl.** **14-03**

(52) **U.S. Cl.**
USPC **D14/214**

(58) **Field of Classification Search**
USPC D14/167, 168, 170-172, 188, 194-196,
D14/204, 207, 209.1, 210-216, 221, 222;
181/143, 144, 147, 148, 150, 153, 157,
181/198, 199; 381/300-303, 306, 332, 333,
381/336, 345, 361-364, 386-388;
D13/107, 108; 455/344-351; 369/6-12

See application file for complete search history.

(56) **References Cited**

U.S. PATENT DOCUMENTS

D317,919 S *	7/1991	Kawanabe	D14/239
D531,986 S *	11/2006	Azumi et al.	D14/214
D537,070 S *	2/2007	Warden	D14/214
D568,868 S *	5/2008	Baird	D14/214
D641,006 S *	7/2011	Anthony et al.	D14/214
D654,474 S *	2/2012	Hawkins et al.	D14/214
D654,906 S *	2/2012	Warden et al.	D14/214
D663,719 S *	7/2012	Warden et al.	D14/214
D675,188 S *	1/2013	Hawkins et al.	D14/210
D675,597 S *	2/2013	Hawkins et al.	D14/210
D683,718 S *	6/2013	Brunner et al.	D14/209.1

* cited by examiner

Primary Examiner — Keli L Hill

(74) *Attorney, Agent, or Firm* — Young & Thompson

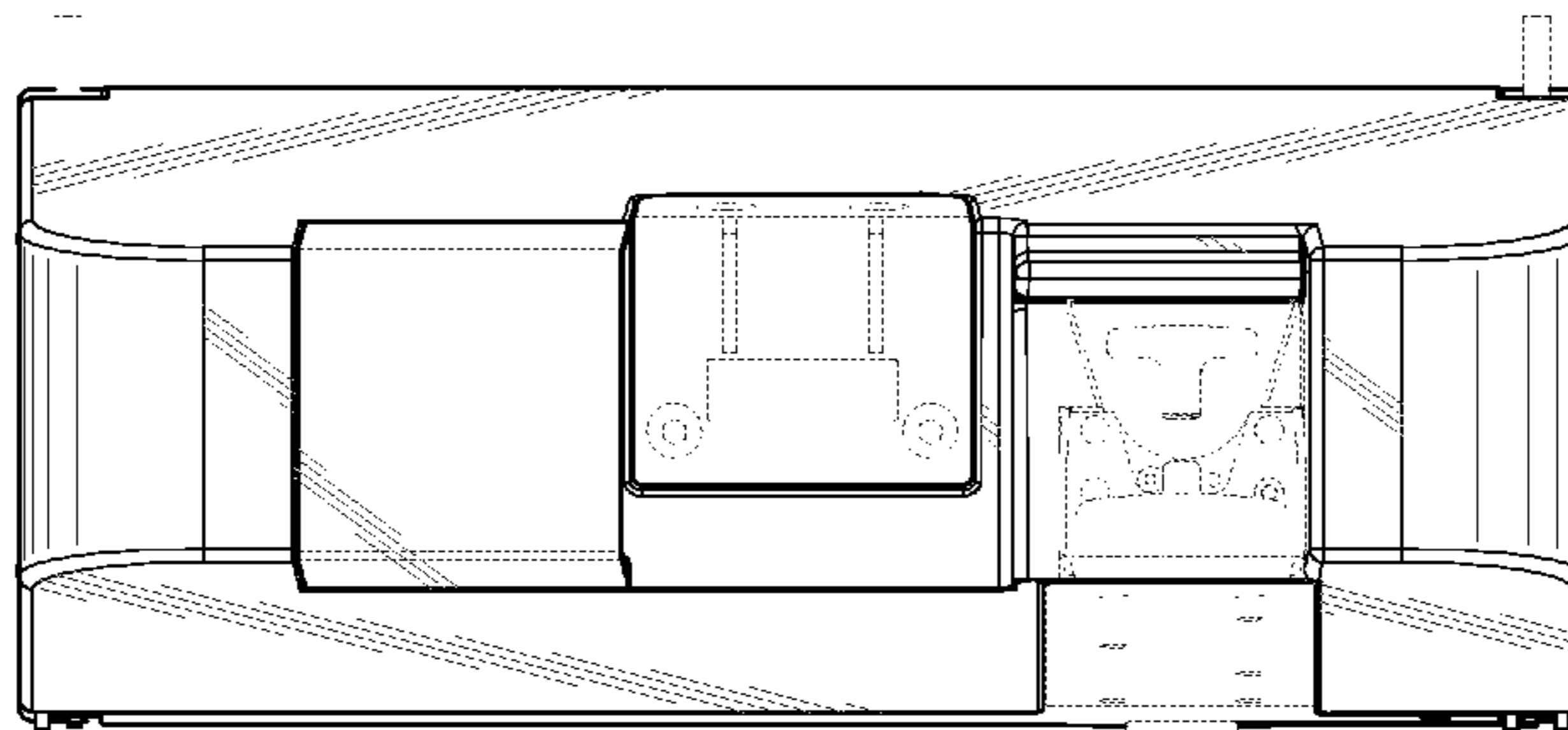
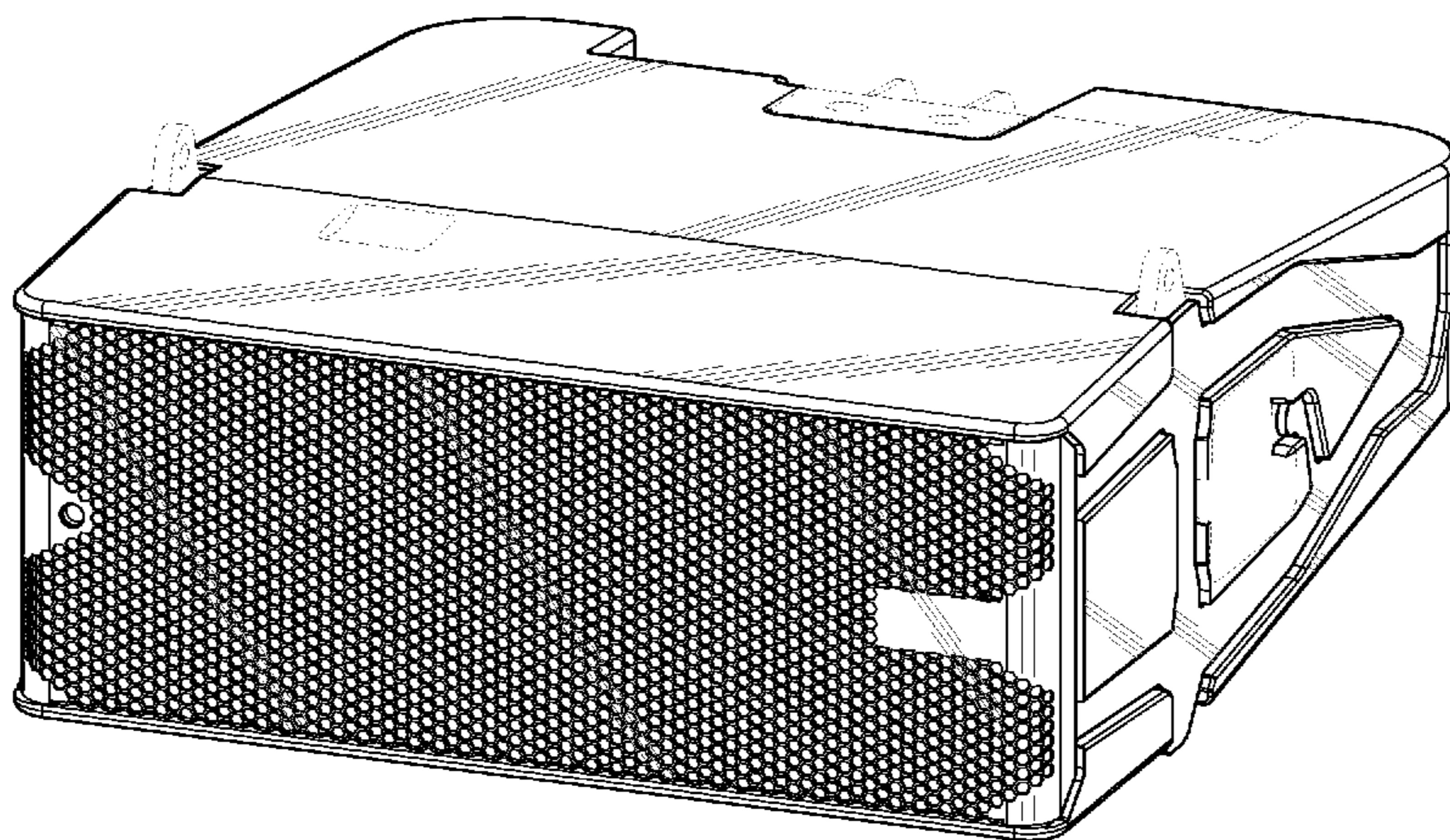
(57) **CLAIM**

The ornamental design for a loudspeaker box, as shown and described.

DESCRIPTION

FIG. 1 is a front, left side and top perspective view of a loudspeaker box showing the new design; FIG. 2 is a front elevation view thereof; FIG. 3 is a rear elevation view thereof; FIG. 4 is a right side elevation view thereof; FIG. 5 is a left side elevation view thereof; and, FIG. 6 is a top plan view thereof. The portions of the design shown in broken lines show unclaimed subject matter.

1 Claim, 6 Drawing Sheets



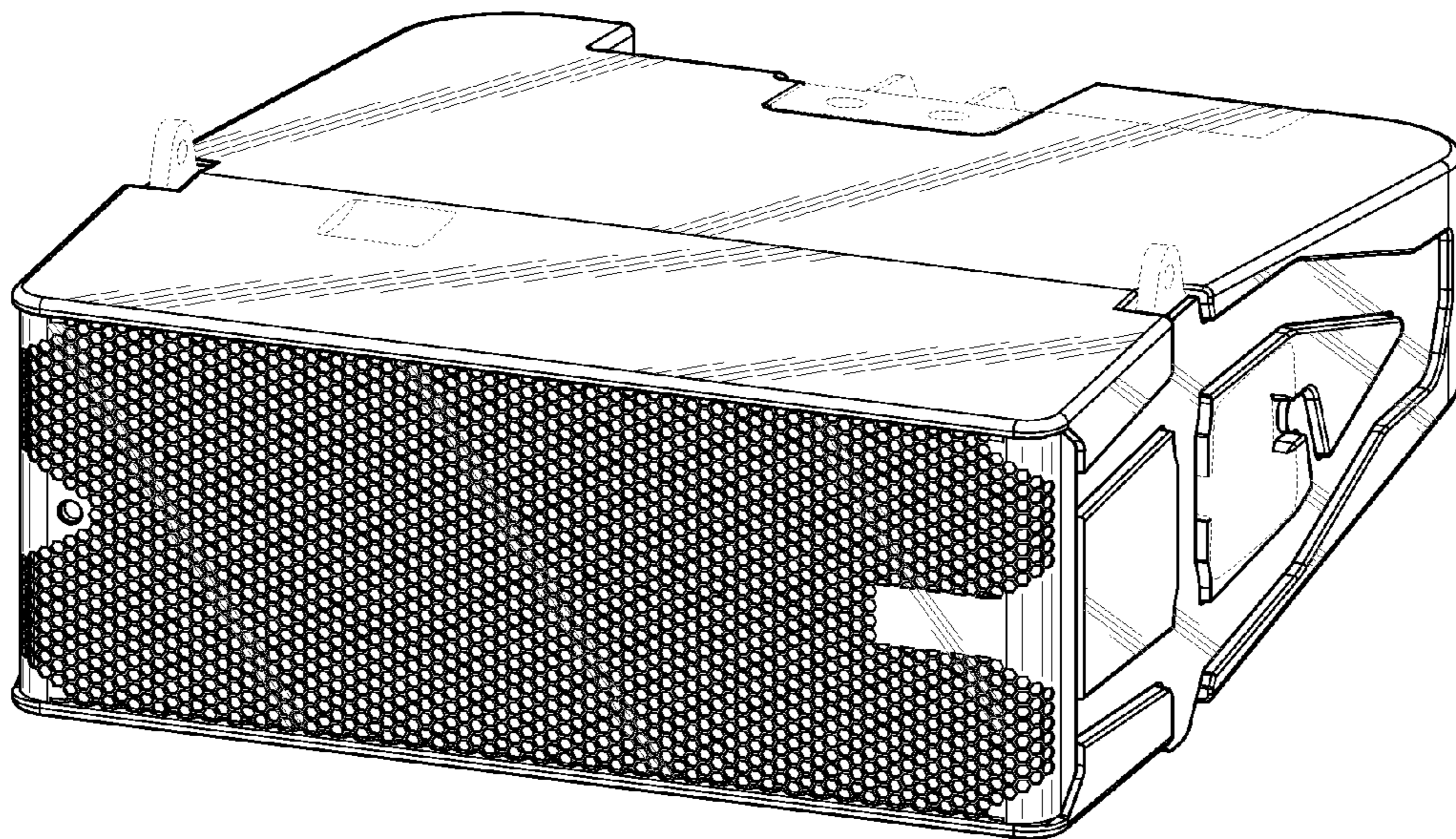


Fig. 1

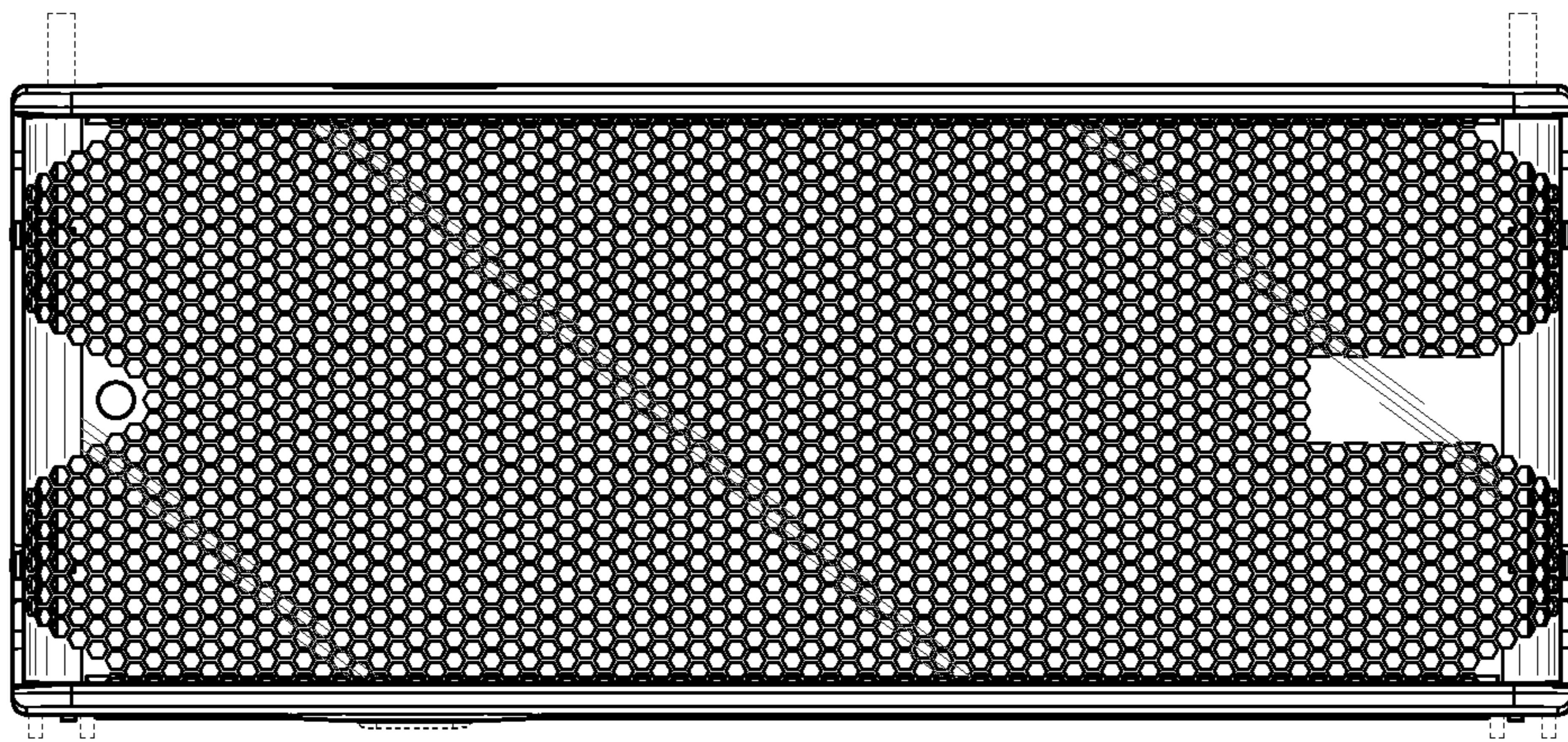


Fig. 2

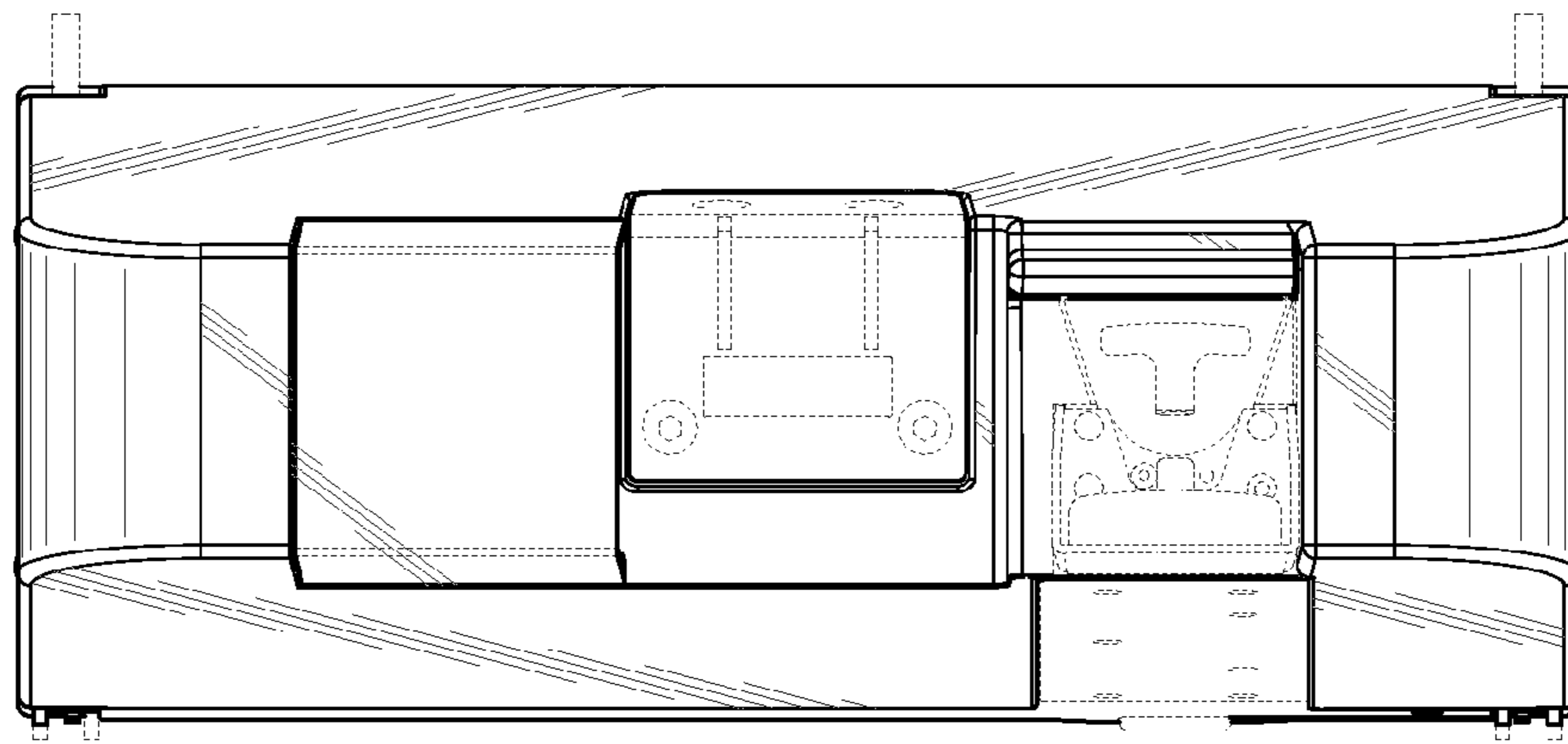


Fig. 3

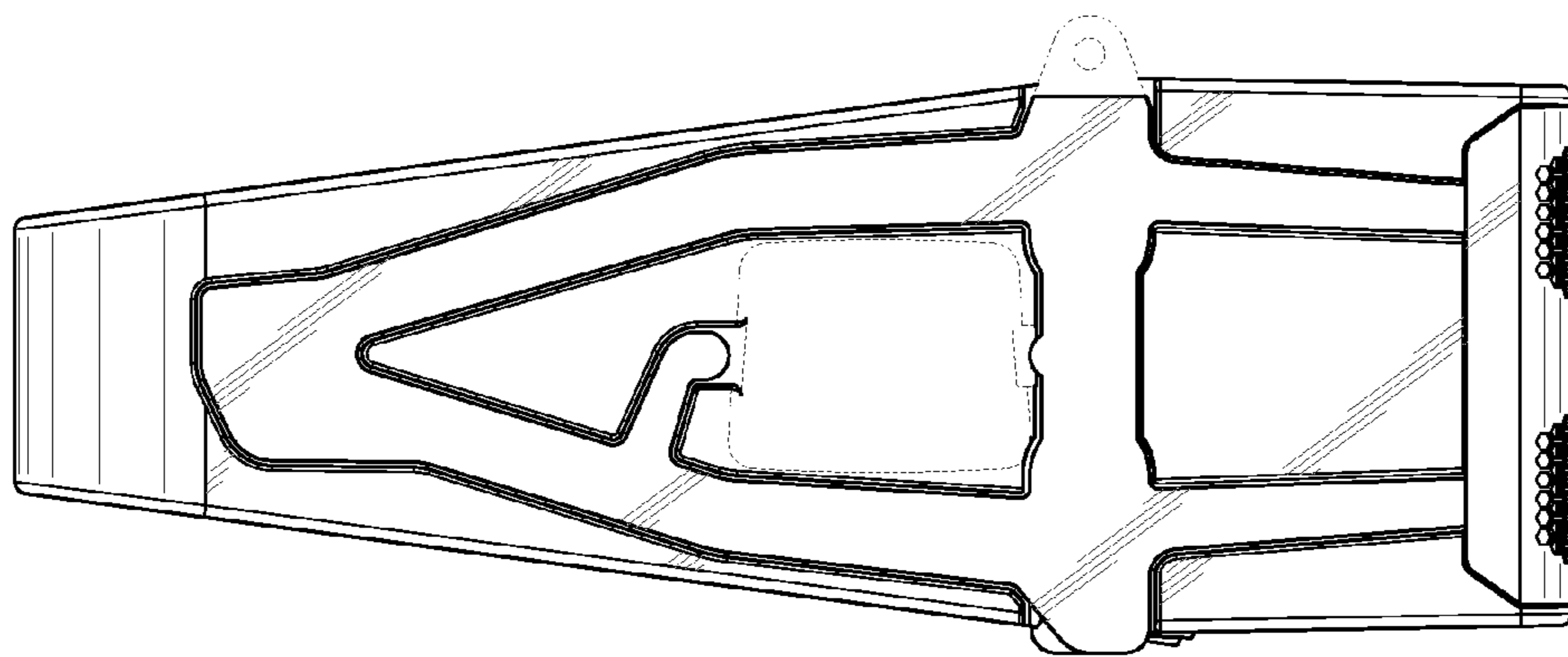


Fig. 4

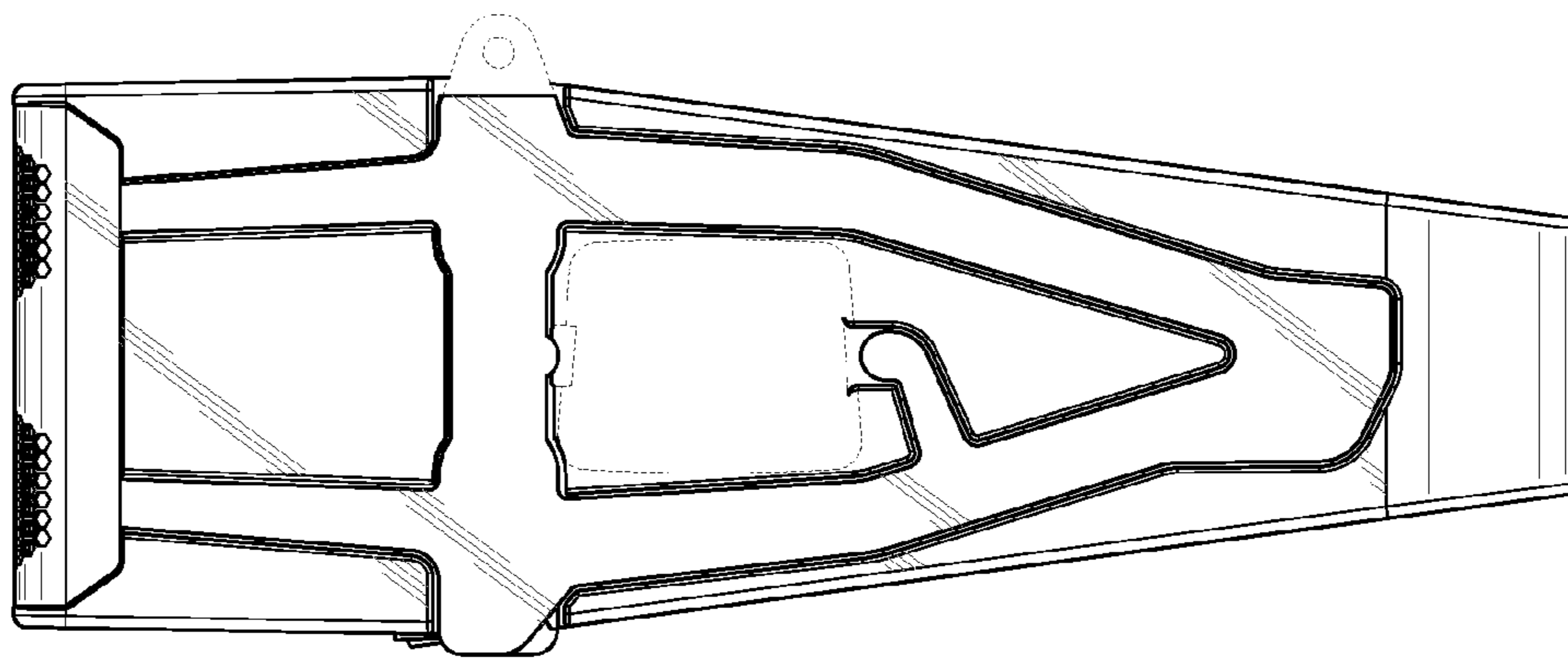


Fig. 5

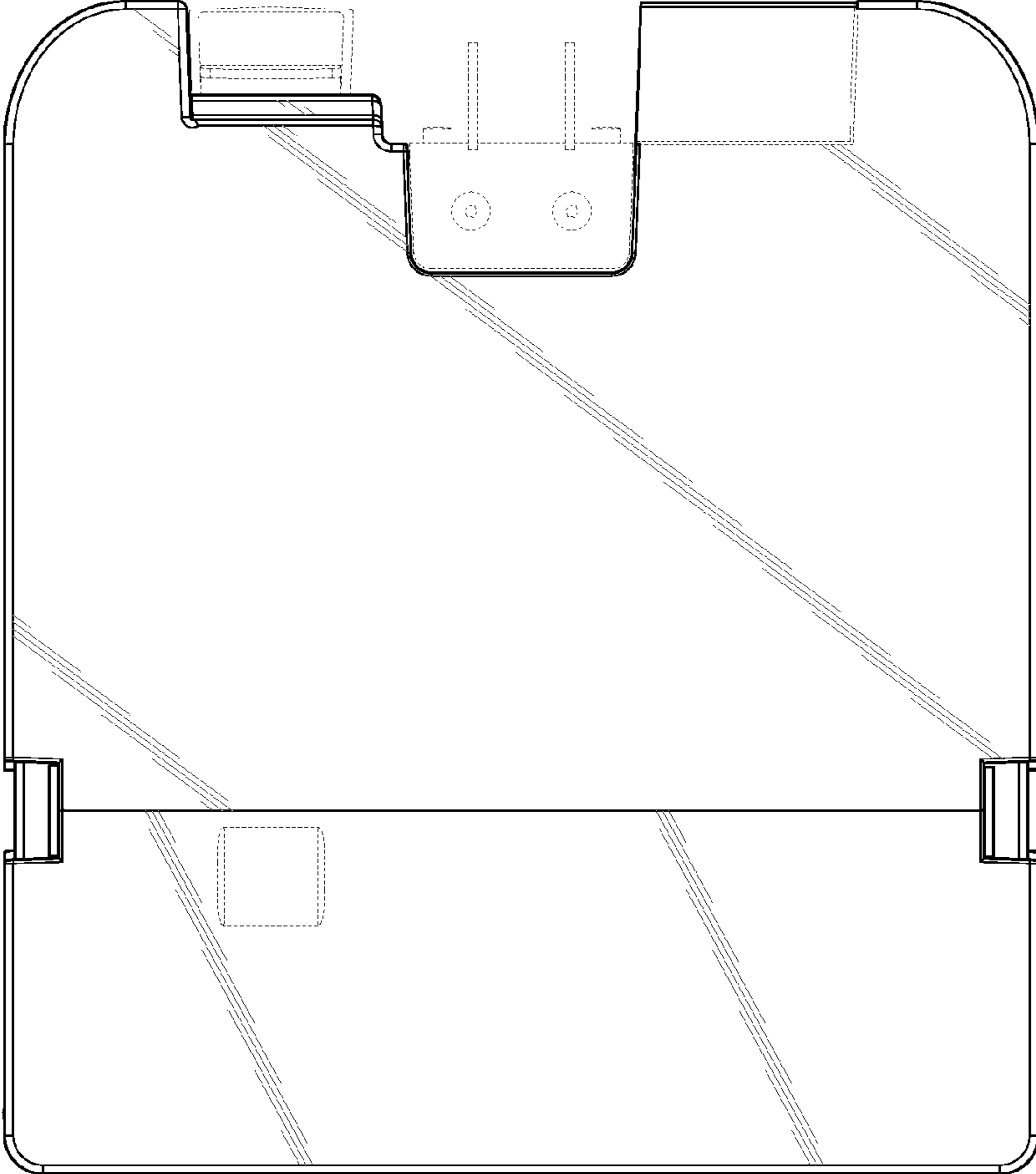


Fig. 6