

US00D692859S

(12) **United States Design Patent**  
**Ohashi**

(10) **Patent No.:** **US D692,859 S**

(45) **Date of Patent:** **\*\* Nov. 5, 2013**

(54) **SPEAKER BOX**

D671,908 S \* 12/2012 Choi ..... D14/188  
D674,779 S \* 1/2013 Joseph ..... D14/214  
D679,265 S \* 4/2013 Lee ..... D14/209.1

(75) Inventor: **Satoshi Ohashi**, Kanagawa (JP)

(73) Assignee: **Pioneer Corporation**, Kawasaki-shi,  
Kanagawa (JP)

(\*\*) Term: **14 Years**

(21) Appl. No.: **29/419,933**

(22) Filed: **May 3, 2012**

(30) **Foreign Application Priority Data**

Jan. 10, 2012 (JP) ..... 2012-000268

(51) **LOC (9) Cl.** ..... **14-03**

(52) **U.S. Cl.**  
USPC ..... **D14/214**

(58) **Field of Classification Search**  
USPC ..... D14/167, 172, 194–196, 204, 207,  
D14/209.1, 210–216, 221, 222; 181/143,  
181/144, 147, 148, 150, 153, 157, 198,  
181/199; 381/300–303, 306, 332, 333, 336,  
381/345, 361–364, 386–388  
See application file for complete search history.

(56) **References Cited**

**U.S. PATENT DOCUMENTS**

D514,090 S \* 1/2006 Carbone et al. .... D14/209.1  
D523,840 S \* 6/2006 Heath et al. .... D14/188  
D563,388 S \* 3/2008 Aquillano ..... D14/214  
D576,148 S \* 9/2008 Lee et al. .... D14/188  
D603,368 S \* 11/2009 Jang ..... D14/194  
D633,474 S \* 3/2011 Ohashi ..... D14/209.1

**FOREIGN PATENT DOCUMENTS**

JP 1201017 S 4/2004

**OTHER PUBLICATIONS**

Pioneer Corporation, "Pioneer Components Catalog," Oct. 2010.  
pioneer.jp/components/.

\* cited by examiner

*Primary Examiner* — Keli L Hill

(74) *Attorney, Agent, or Firm* — Drinker Biddle & Reath  
LLP

(57) **CLAIM**

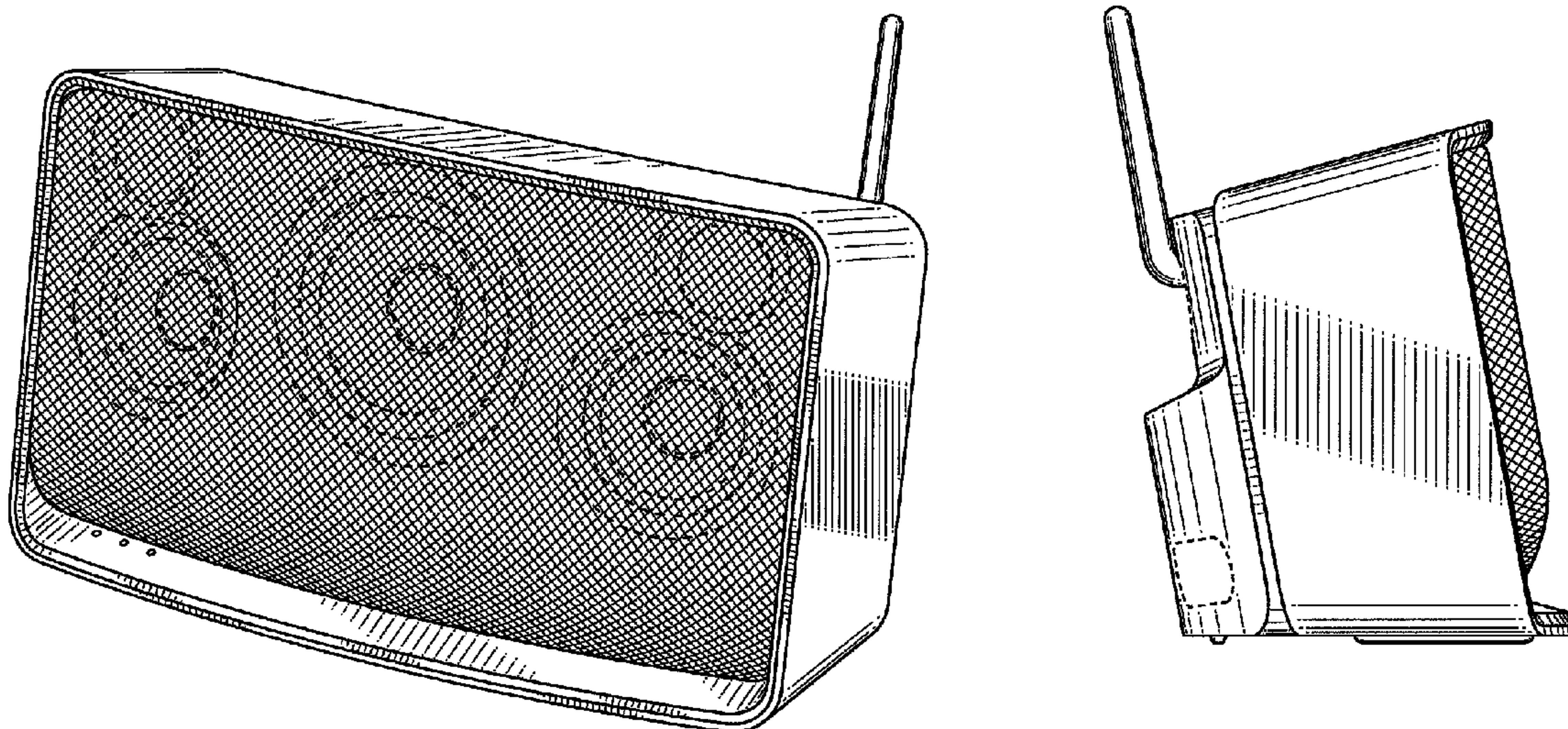
The ornamental design for a speaker box, as shown and  
described.

**DESCRIPTION**

FIG. 1 is a perspective view of the front, top and right side of  
a speaker box showing my new design;  
FIG. 2 is a front view thereof;  
FIG. 3 is a rear view thereof;  
FIG. 4 is a left side view thereof;  
FIG. 5 is a right side view thereof;  
FIG. 6 is a top view thereof; and,  
FIG. 7 is a bottom view thereof.

The broken lines showing of the speaker box is included for  
the purpose of illustrating portions of the speaker box and  
forms no part of the claimed design.

**1 Claim, 4 Drawing Sheets**





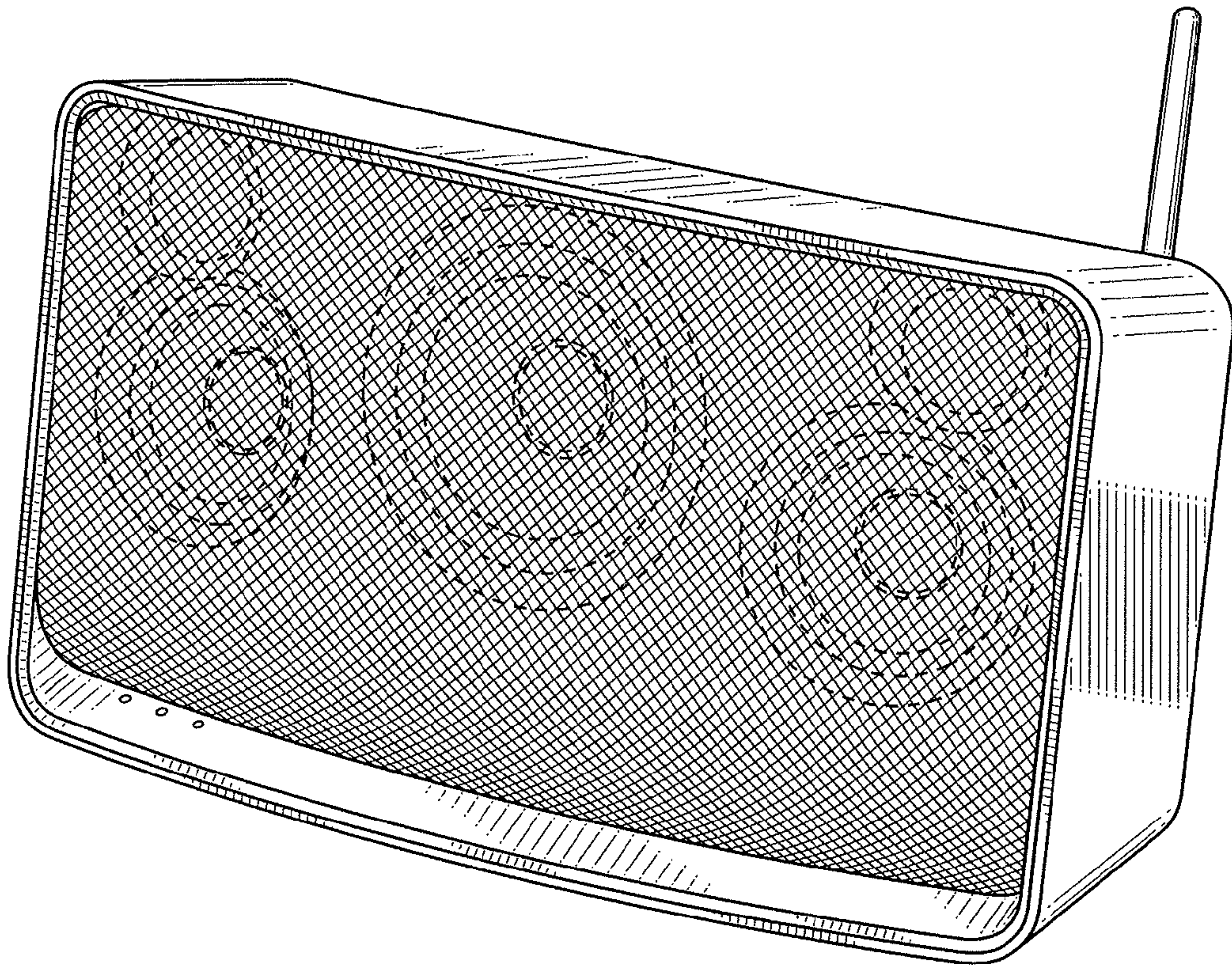


FIG. 1



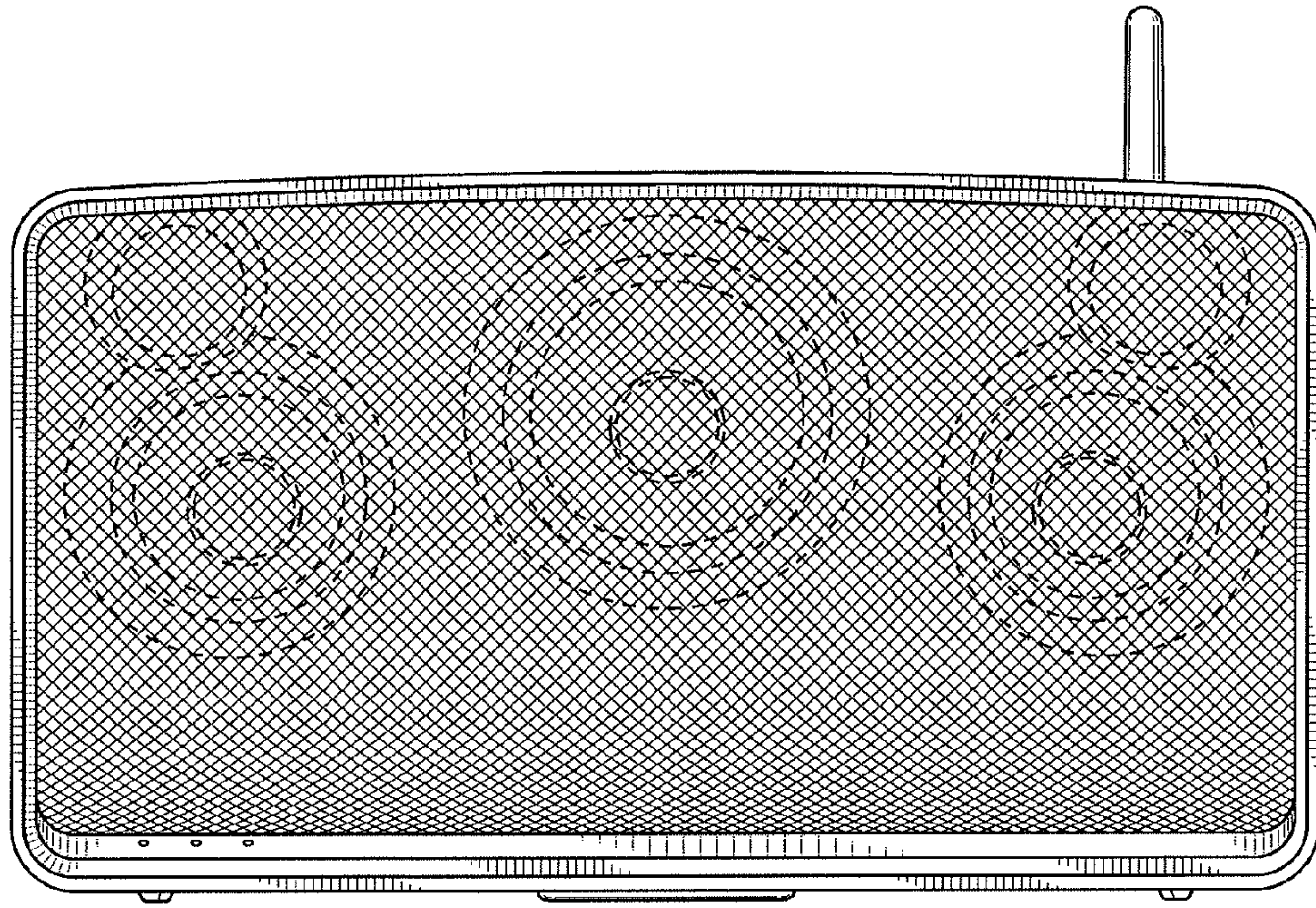


FIG. 2

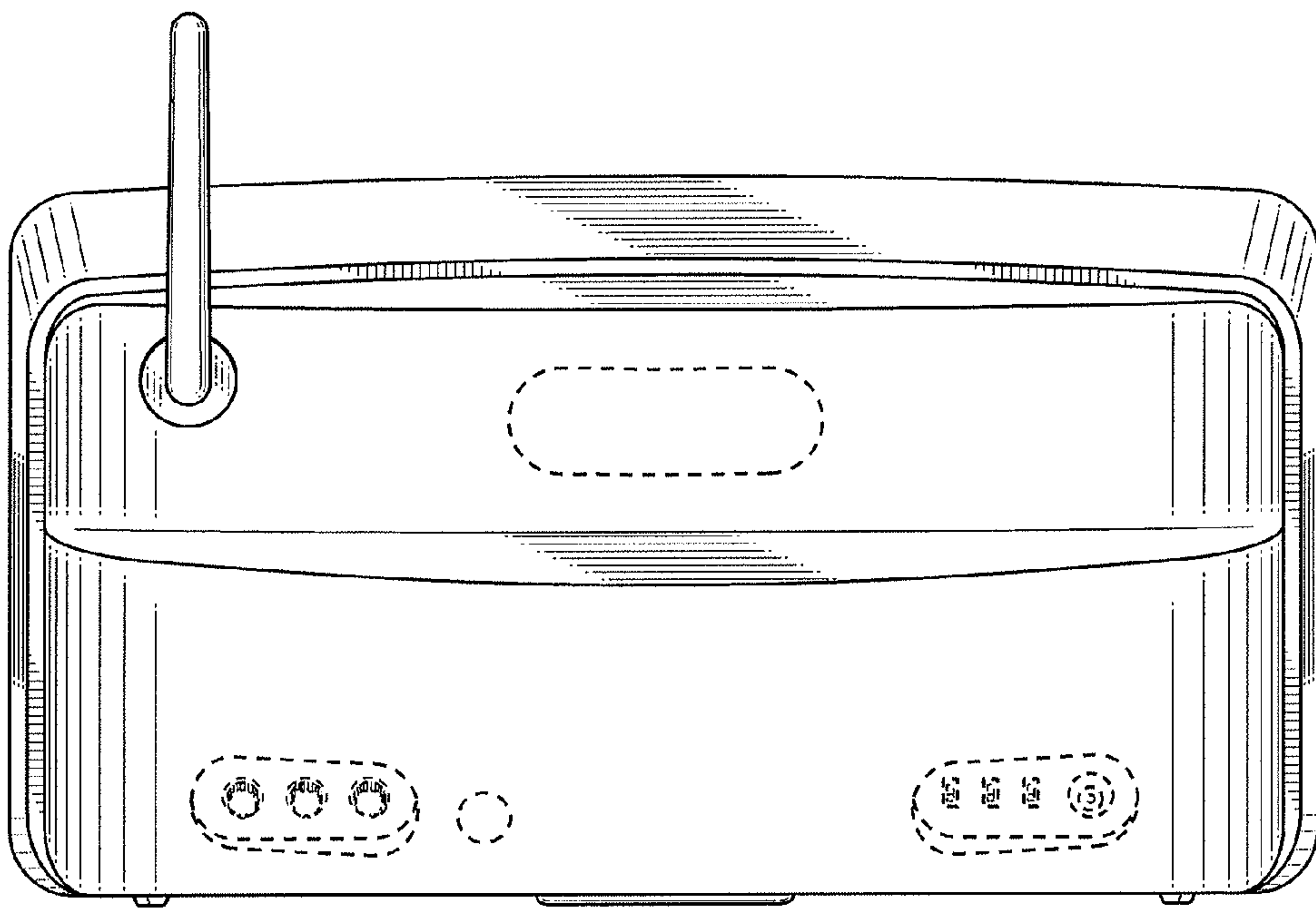


FIG. 3

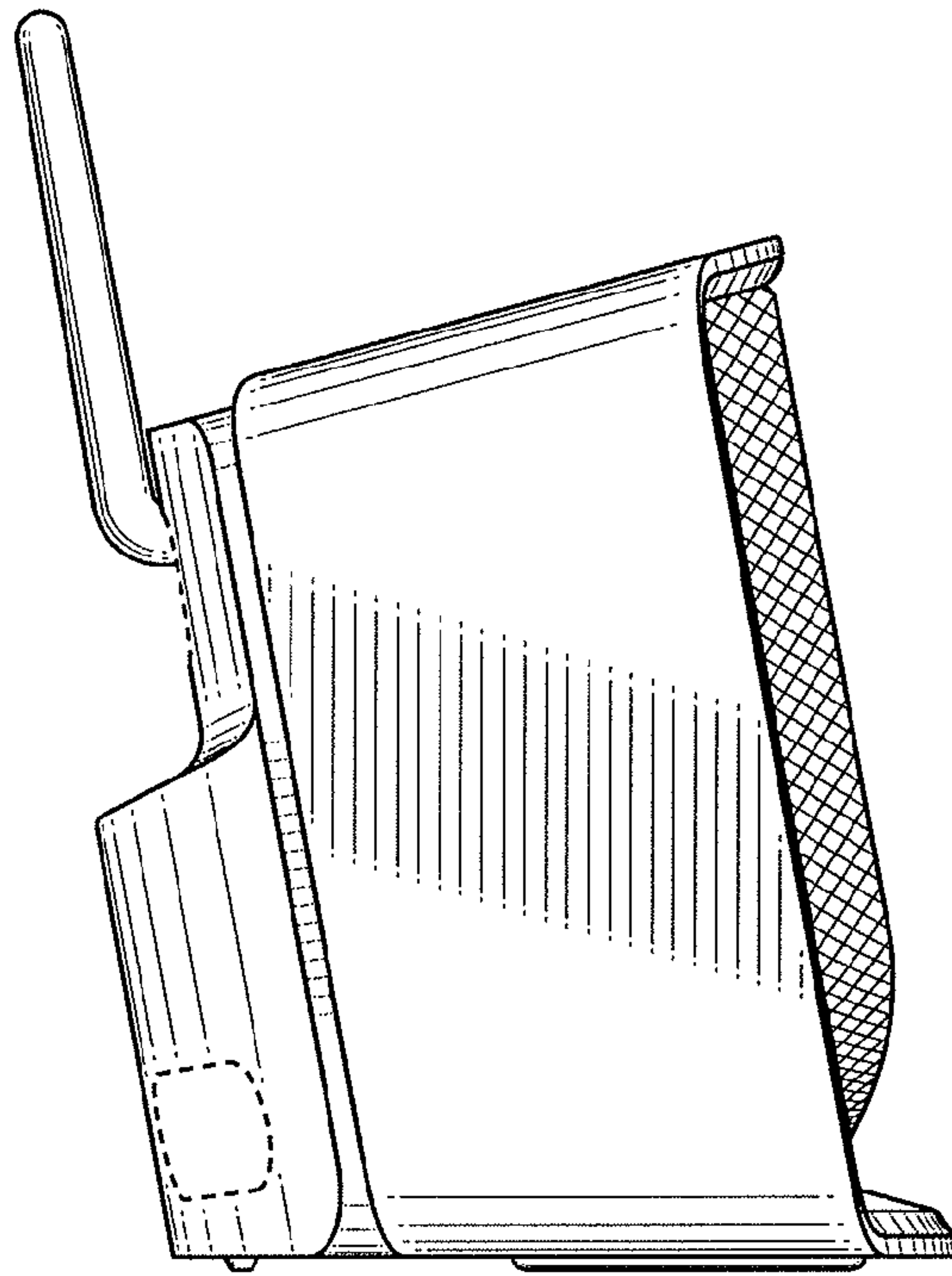


FIG. 4

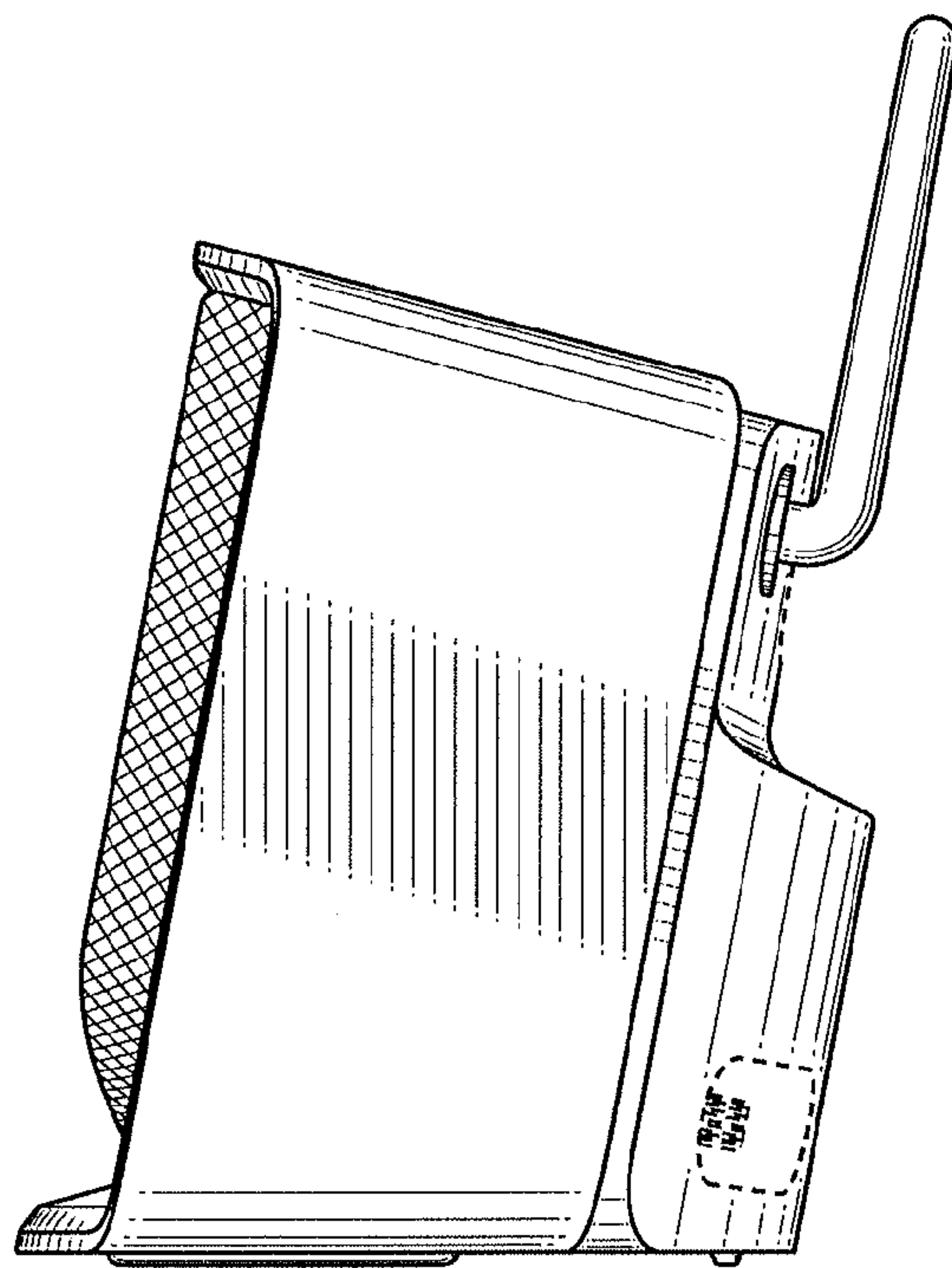


FIG. 5



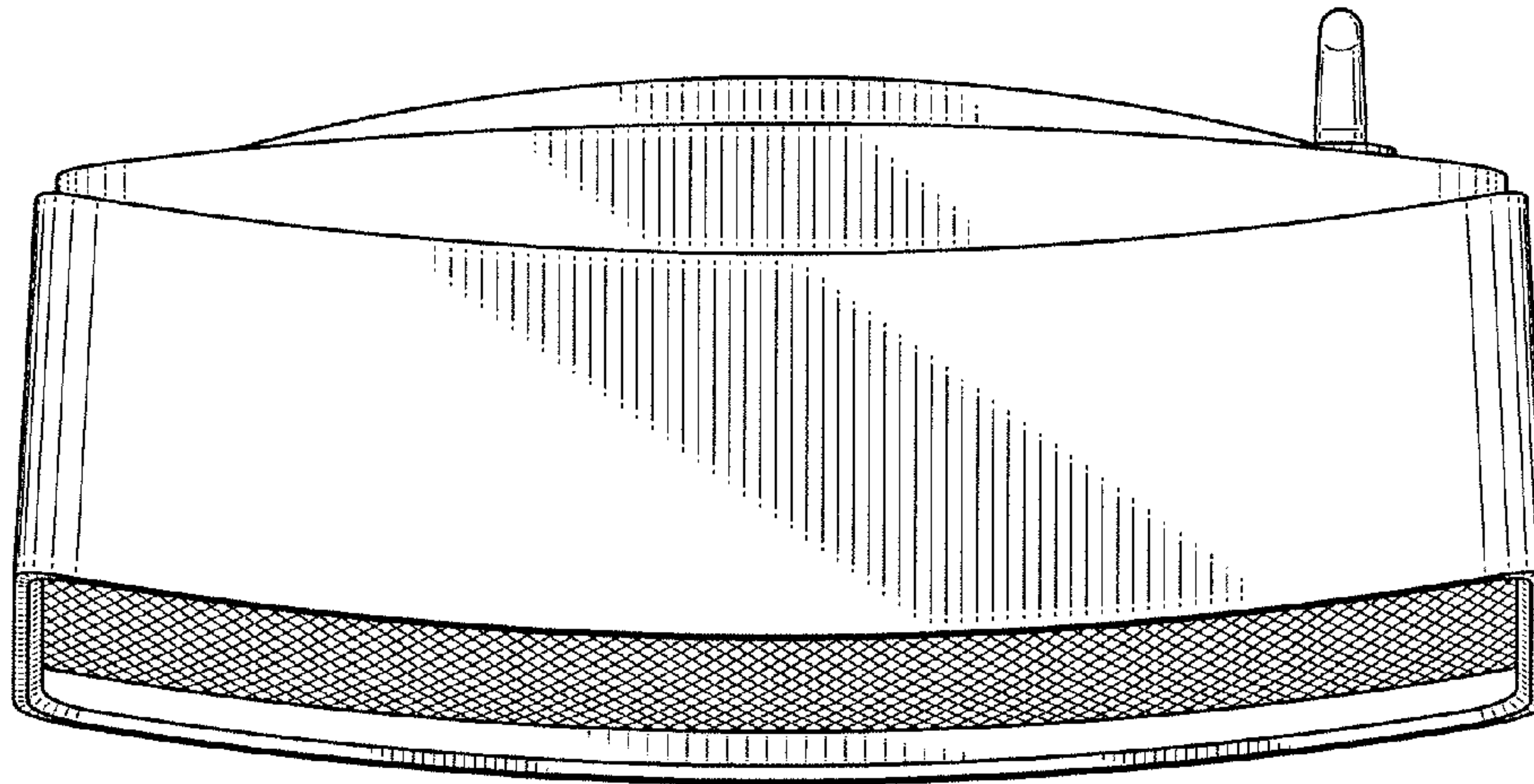


FIG. 6

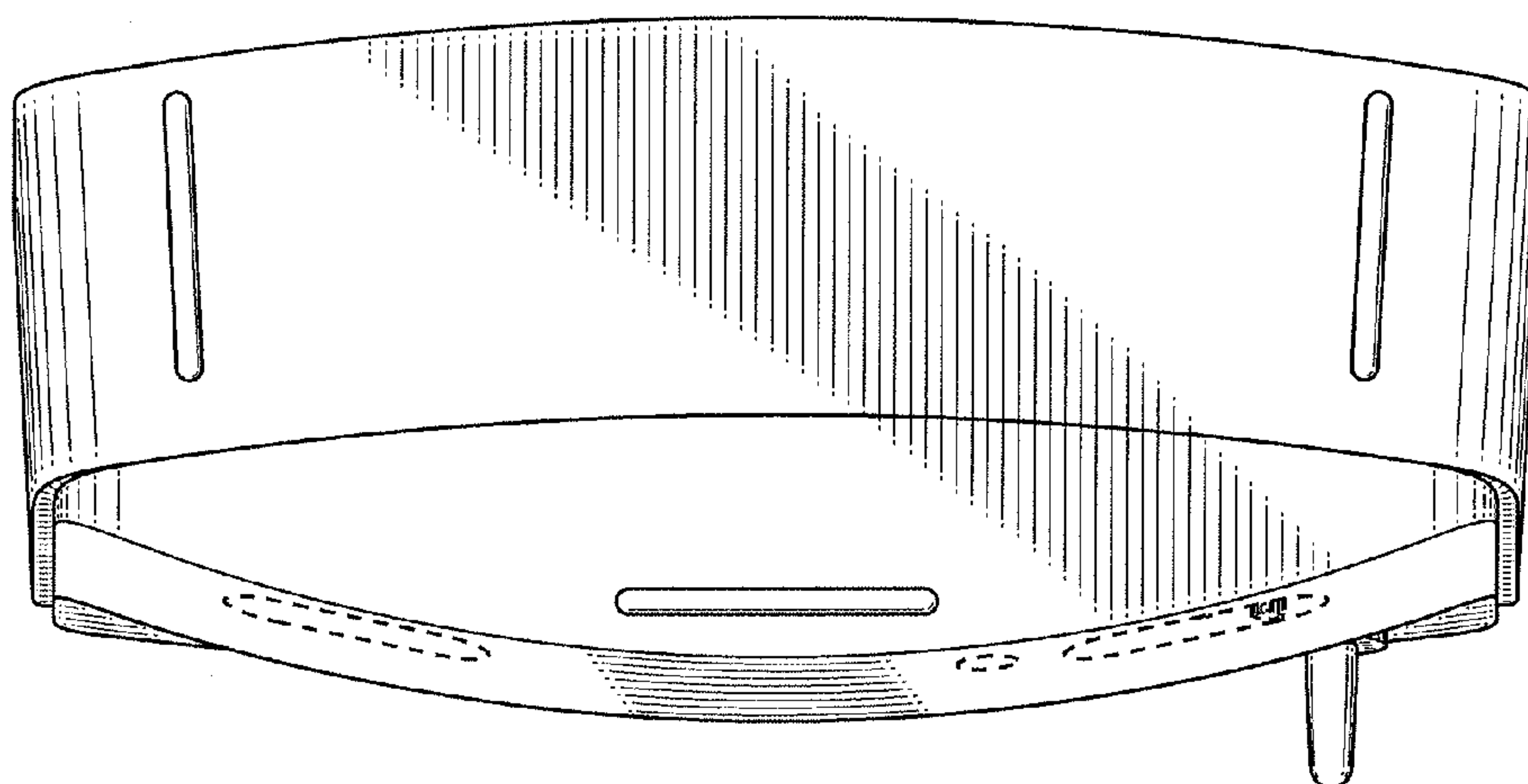


FIG. 7