

US00D692858S

(12) **United States Design Patent**
Millora et al.

(10) **Patent No.:** **US D692,858 S**

(45) **Date of Patent:** **** Nov. 5, 2013**

(54) **DESKTOP SPEAKER**

(75) Inventors: **Wesley Millora**, Irvine, CA (US); **Scott McManigal**, Newport Beach, CA (US); **William Wang**, Irvine, CA (US)

(73) Assignee: **Vizio Inc.**, Irvine, CA (US)

(**) Term: **14 Years**

(21) Appl. No.: **29/398,727**

(22) Filed: **Aug. 3, 2011**

(51) **LOC (9) Cl.** **14-03**

(52) **U.S. Cl.**
USPC **D14/214**

(58) **Field of Classification Search**
USPC D14/167, 172, 194-196, 204, 207,
D14/209.1, 210-216, 221, 222; 181/143,
181/144, 147, 148, 150, 153, 157, 198,
181/199; 381/300-303, 306, 332, 333, 336,
381/345, 361-364, 386-388

See application file for complete search history.

(56) **References Cited**

U.S. PATENT DOCUMENTS

D472,542 S * 4/2003 Oikawa D14/172
D540,310 S * 4/2007 Yuyama D14/214

D645,449 S * 9/2011 Kusuki D14/214
D655,690 S * 3/2012 Yagi D14/214
D659,677 S * 5/2012 Kim et al. D14/214
D660,284 S * 5/2012 Carbone D14/214
D669,883 S * 10/2012 Cheng D14/214

* cited by examiner

Primary Examiner — Keli L Hill

(74) *Attorney, Agent, or Firm* — Law Office of Scott C. Harris, Inc.

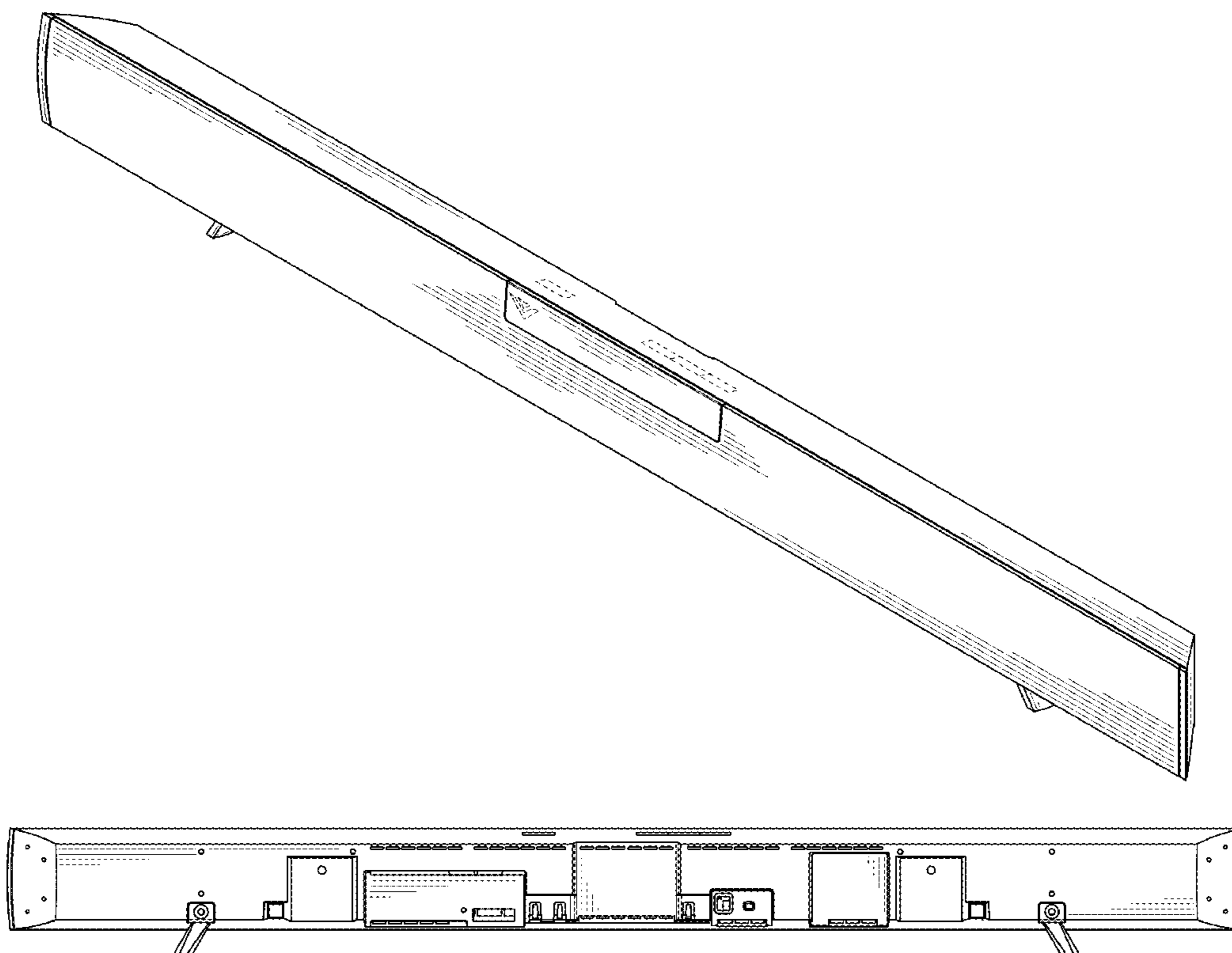
(57) **CLAIM**

The ornamental design for a desktop speaker, as shown and described.

DESCRIPTION

FIG. 1 is a perspective view of the desktop speaker; FIGS. 2 and 3 are front and back views, respectively of the desktop speaker; FIGS. 4 and 5 show alternate side views of the desktop speaker; and, FIGS. 6 and 7 show top and bottom views respectively of the desktop speaker. The broken lines shown are included for the purpose of illustrating the unclaimed portions of the article and form no part of the claim.

1 Claim, 3 Drawing Sheets



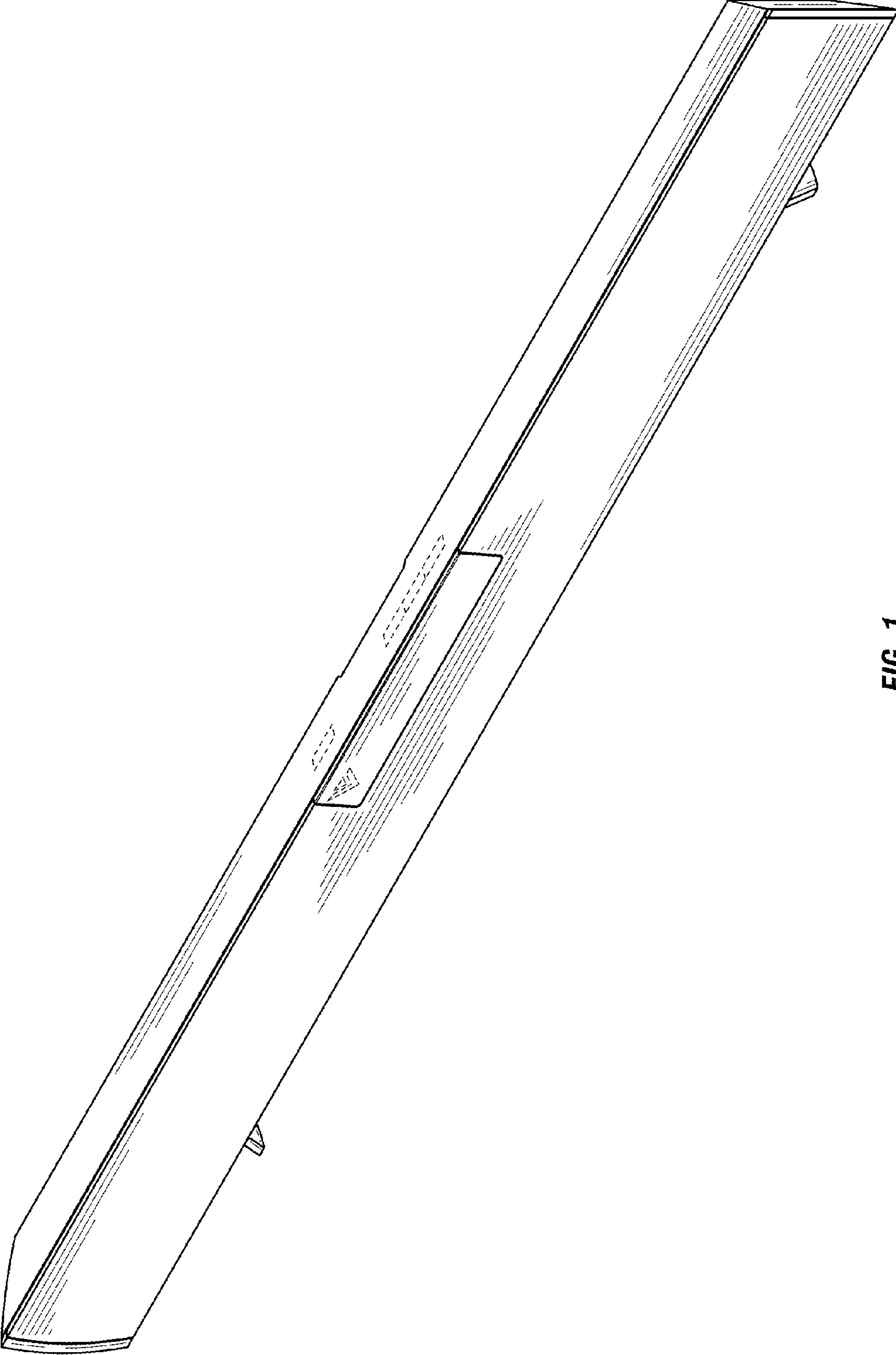


FIG. 1

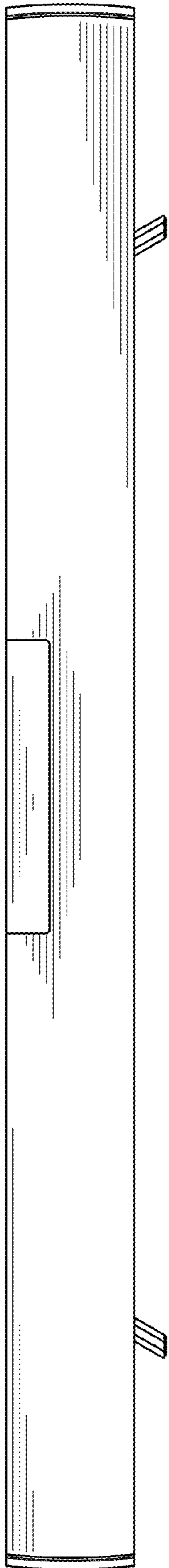


FIG. 2

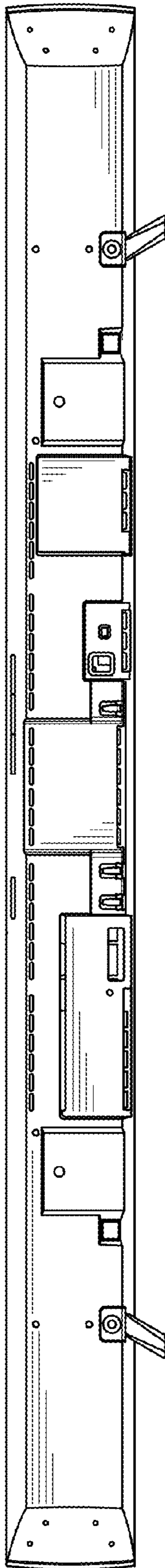


FIG. 3

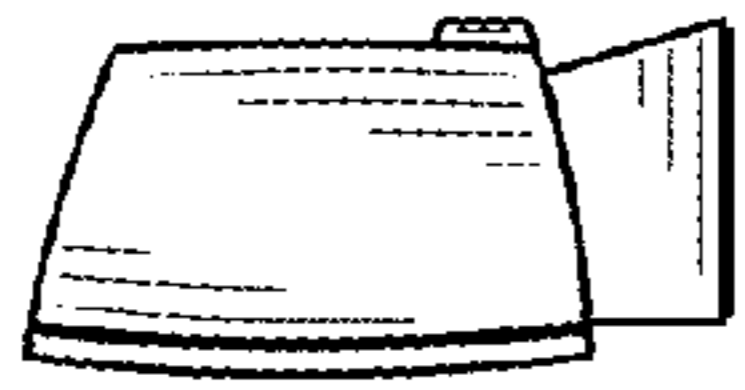


FIG. 4

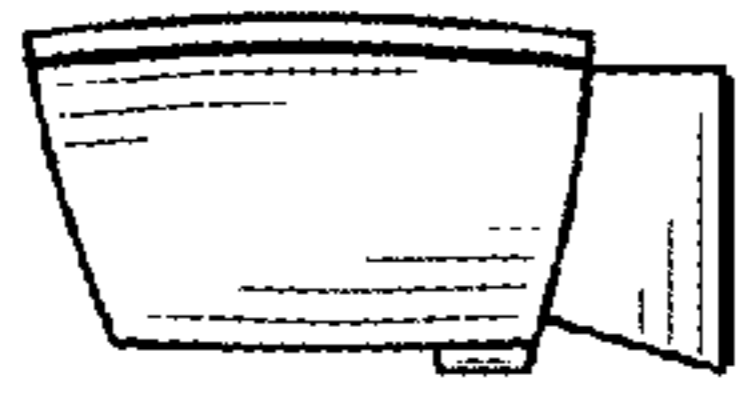


FIG. 5

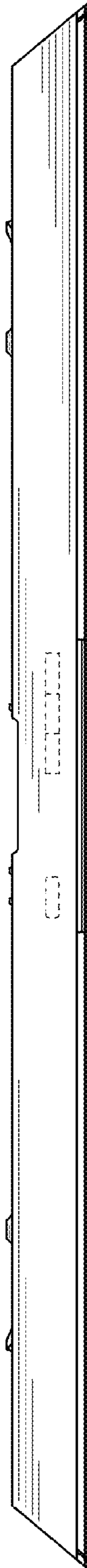


FIG. 6

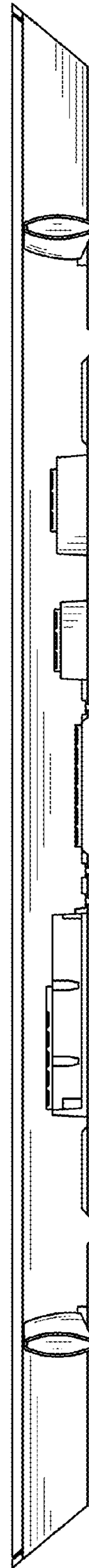


FIG. 7