



US00D692856S

(12) **United States Design Patent**
Holzer

(10) **Patent No.:** **US D692,856 S**

(45) **Date of Patent:** **** Nov. 5, 2013**

(54) **RECHARGEABLE PORTABLE SPEAKER SYSTEM**

(75) Inventor: **Eric Holzer**, Piscataway, NJ (US)

(73) Assignee: **SDI Technologies, Inc.**, Rahway, NJ (US)

(**) Term: **14 Years**

(21) Appl. No.: **29/429,848**

(22) Filed: **Aug. 17, 2012**

(51) **LOC (9) Cl.** **14-01**

(52) **U.S. Cl.**
USPC **D14/209.1**

(58) **Field of Classification Search**
USPC D14/204, 207, 210–216, 172, 209.1;
181/143, 144, 147, 148, 150–153, 157,
181/198, 199; 381/300–303, 306, 332, 333,
381/336, 345, 361–364, 386–388;
D11/160, 162, 606–609, 832

See application file for complete search history.

(56) **References Cited**

U.S. PATENT DOCUMENTS

7,095,867 B2 * 8/2006 Schul et al. 381/334
D545,810 S * 7/2007 Hussaini et al. D14/168
D593,540 S * 6/2009 Skurdal D14/215
D596,156 S * 7/2009 Morisawa D14/209.1

7,689,197 B2 * 3/2010 Laude et al. 455/344
D639,275 S * 6/2011 Silvera D14/209.1
D677,245 S * 3/2013 Joseph D14/209.1
D679,265 S * 4/2013 Lee D14/209.1

* cited by examiner

Primary Examiner — Prabhakar Deshmukh

(74) *Attorney, Agent, or Firm* — Ostrolenk Faber LLP

(57) **CLAIM**

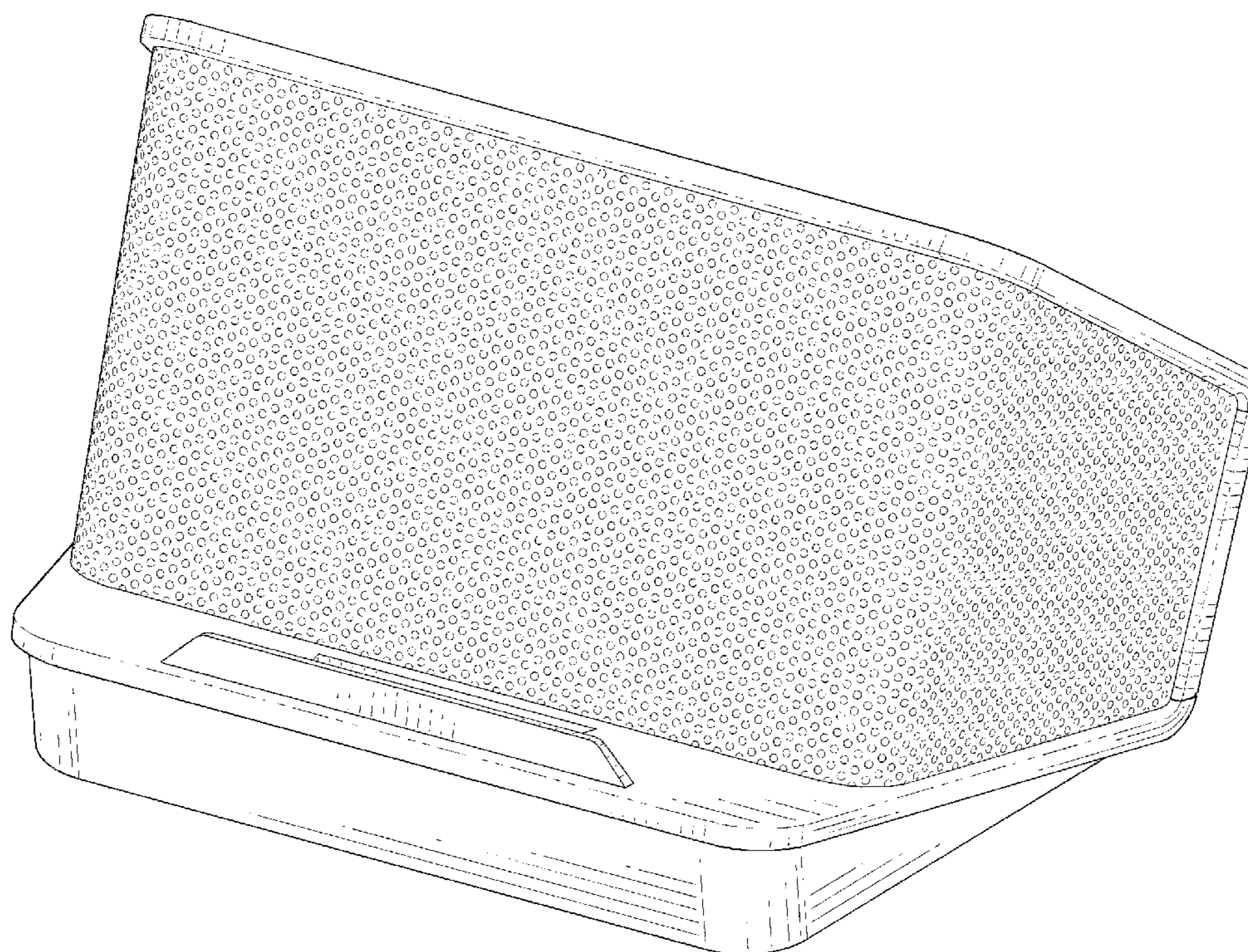
The ornamental design for a rechargeable portable speaker system, as shown and described.

DESCRIPTION

FIG. 1 is a front, right side, perspective view of a rechargeable portable speaker system showing my new design;
FIG. 2 is a front view thereof;
FIG. 3 is a rear view thereof;
FIG. 4 is a top view thereof;
FIG. 5 is a bottom view thereof;
FIG. 6 is a right side view thereof, the other side view being a mirror image;
FIG. 7 is a cross sectional view thereof along line 7-7 in FIG. 3; and,
FIG. 8 is a cross-sectional view thereof along line 8-8 in FIG. 2.

The uniformly broken lines in the drawings illustrate environmental material that forms no part of the claimed design.

1 Claim, 8 Drawing Sheets



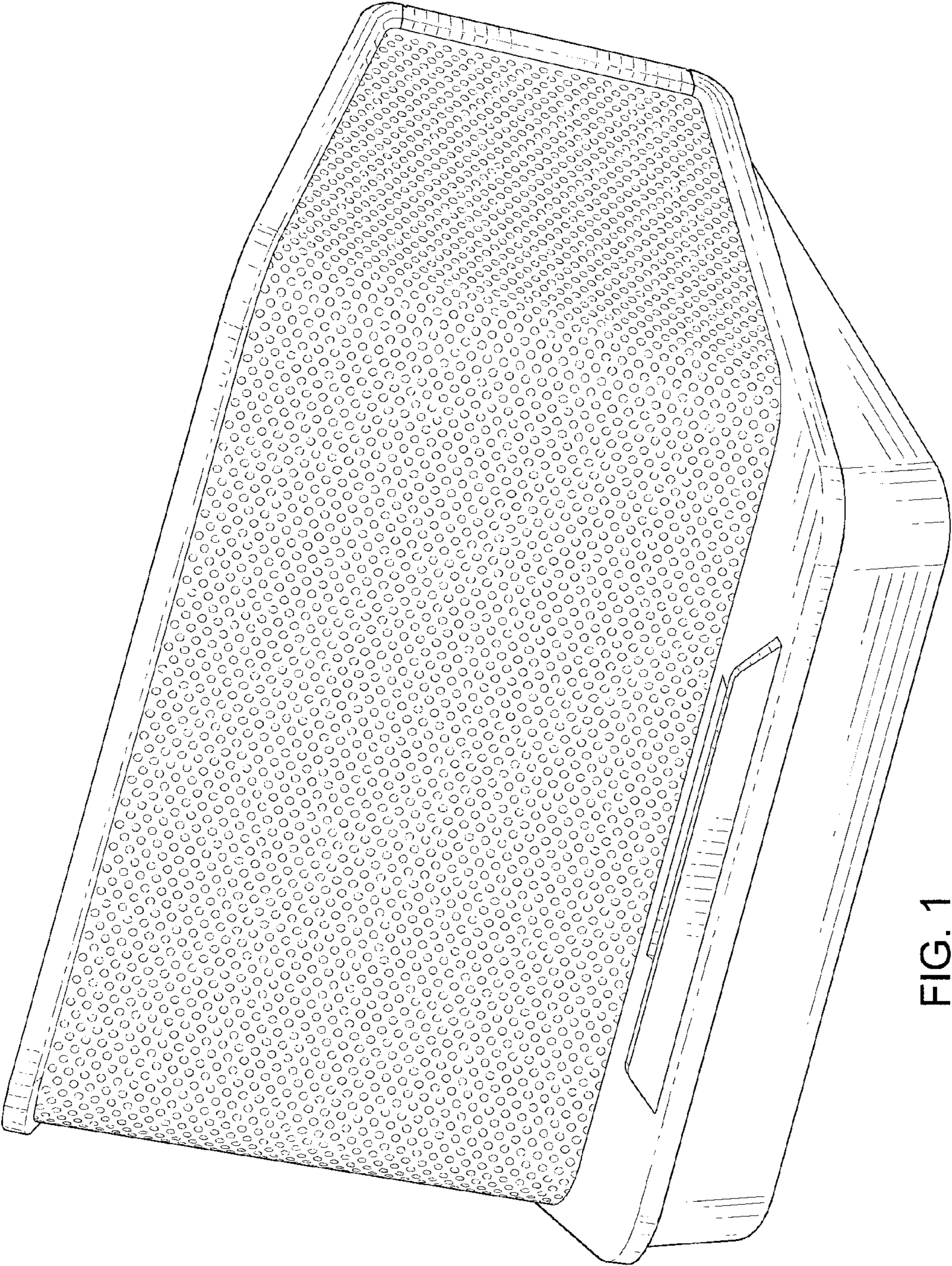


FIG. 1

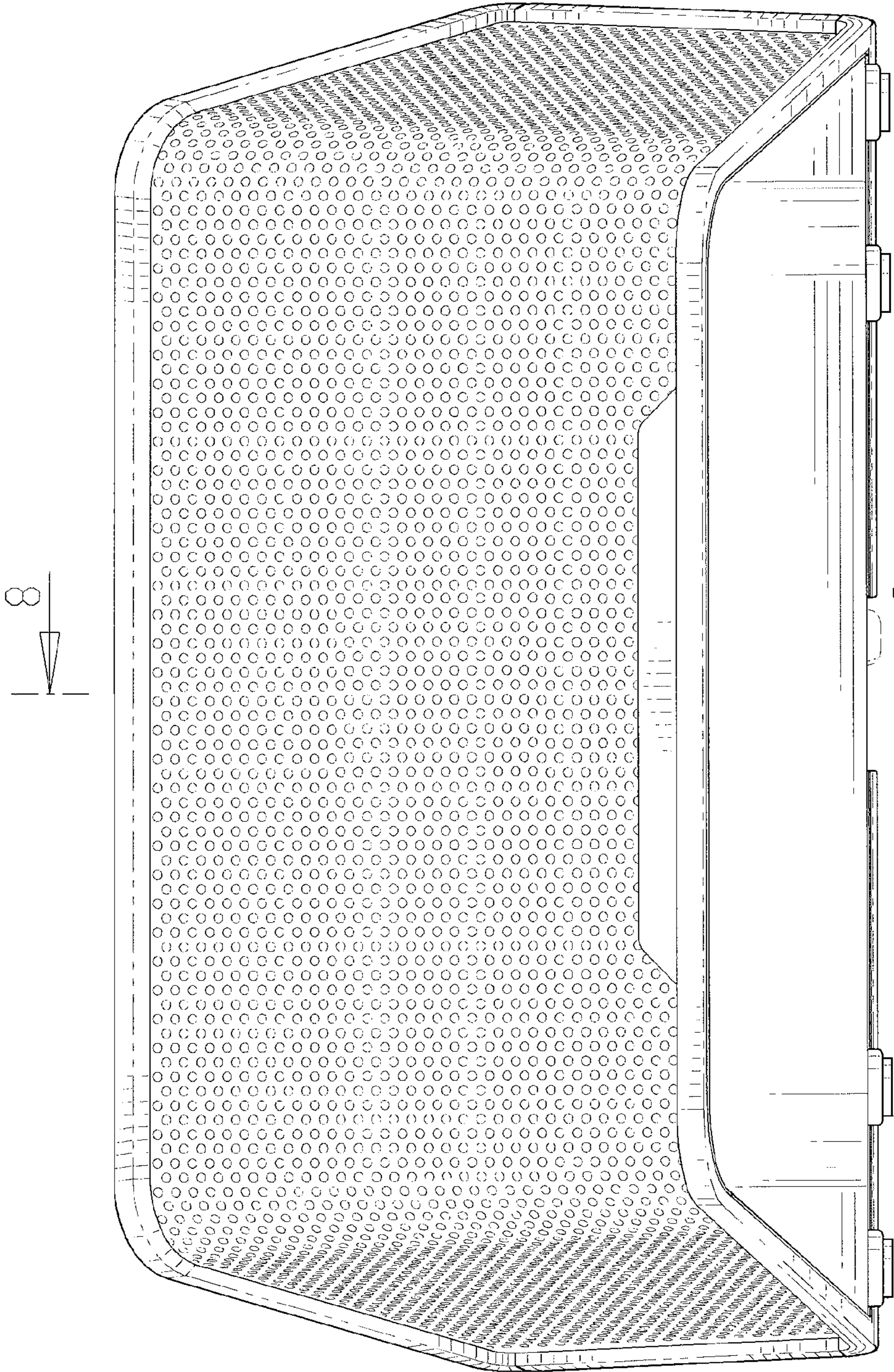


FIG. 2

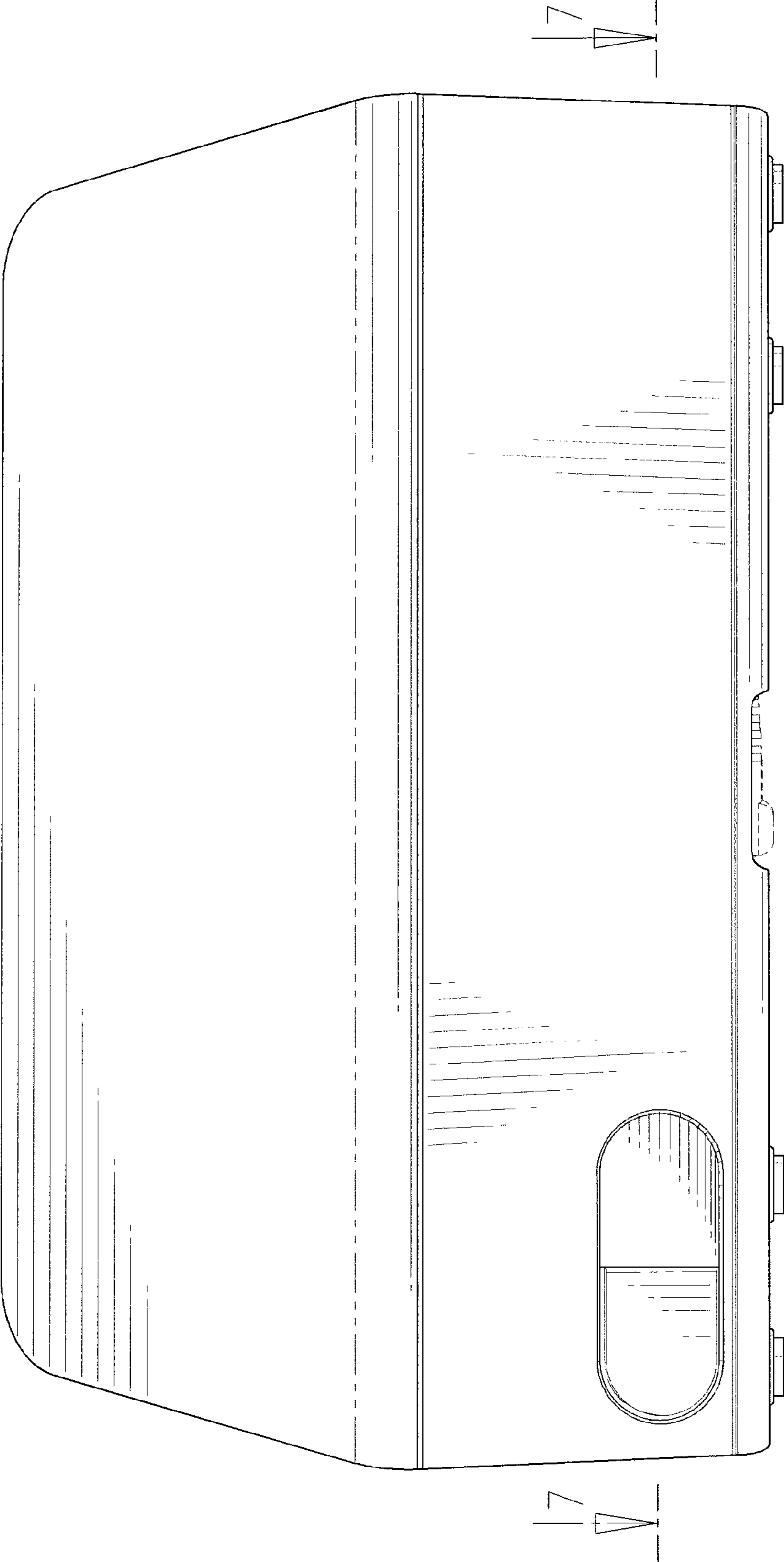


FIG. 3

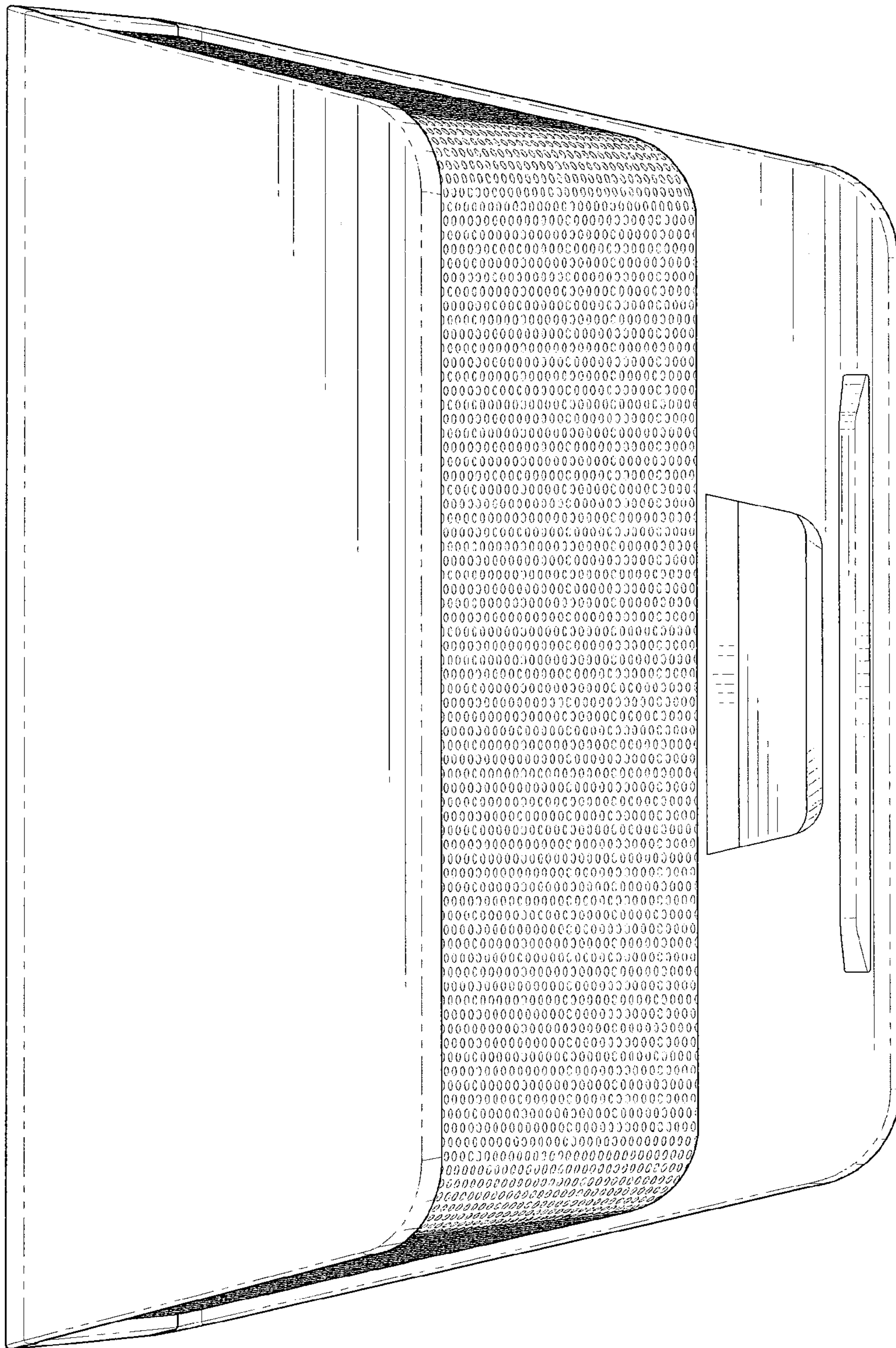


FIG. 4

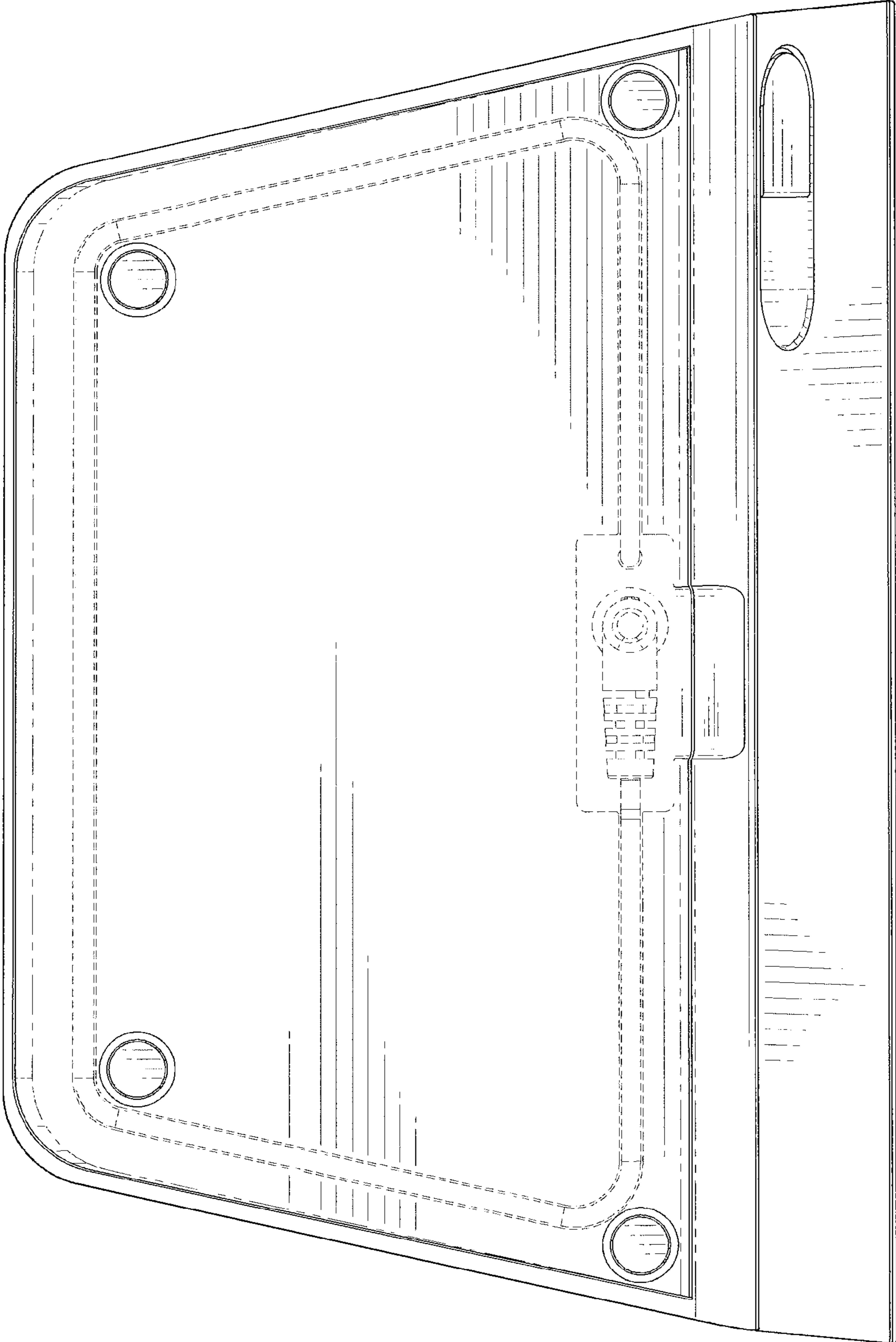


FIG. 5

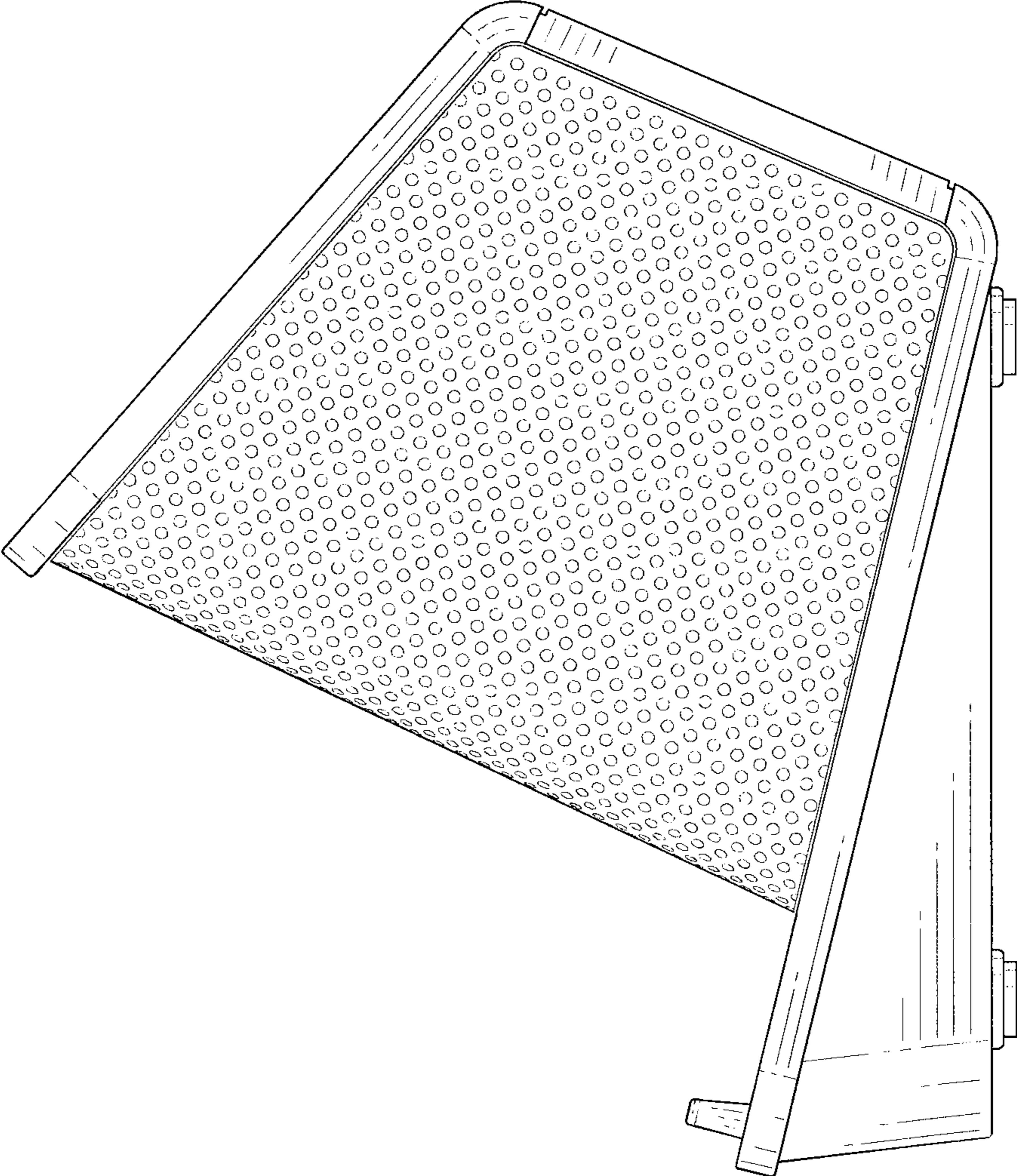


FIG. 6

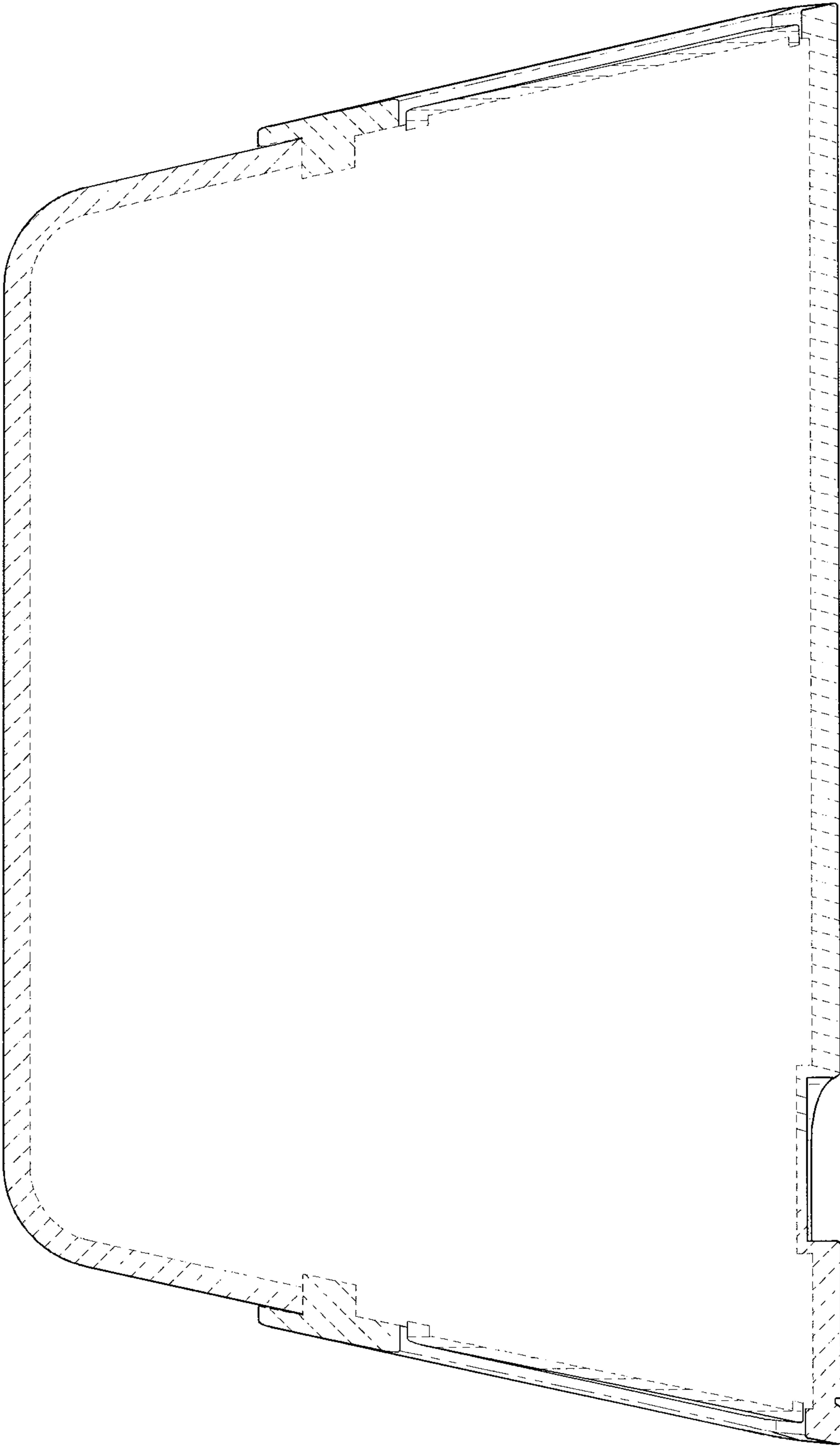


FIG. 7

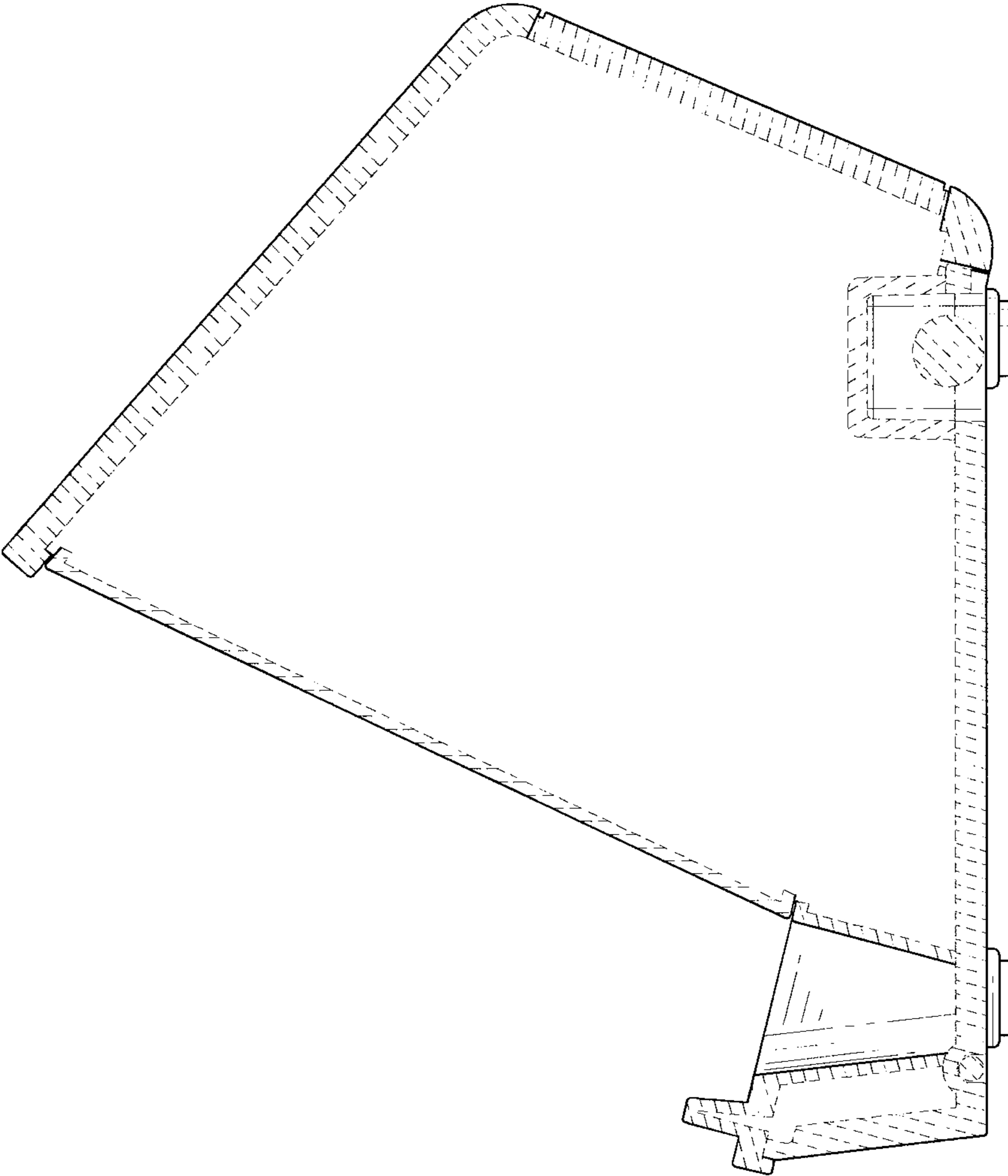


FIG. 8