



US00D692855S

(12) **United States Design Patent**
Hawes

(10) **Patent No.:** **US D692,855 S**
(45) **Date of Patent:** **** Nov. 5, 2013**

- (54) **DOCK AND SPEAKERS**
- (76) Inventor: **Darryle Hawes**, Brooklyn, NY (US)
- (**) Term: **14 Years**
- (21) Appl. No.: **29/416,219**
- (22) Filed: **Mar. 20, 2012**
- (51) **LOC (9) Cl.** **14-01**
- (52) **U.S. Cl.**
USPC **D14/209.1**
- (58) **Field of Classification Search**
USPC D14/204, 204.1, 210–216, 172, 188;
181/143, 144, 147, 148, 150–153, 157,
181/198, 199; 381/300–306, 332, 333, 336,
381/345, 361–364; 455/344–347
See application file for complete search history.

- D620,923 S * 8/2010 Orfali D14/209.1
- D651,193 S * 12/2011 Chang D14/209.1
- D659,119 S * 5/2012 Brunner et al. D14/209.1
- 8,180,095 B2 * 5/2012 Zhang 381/387
- D677,244 S * 3/2013 Funayama D14/209.1
- D678,863 S * 3/2013 Inada D14/209.1

* cited by examiner

Primary Examiner — Prabhakar Deshmukh

(74) *Attorney, Agent, or Firm* — Kelly D. Talcott

(56) **References Cited**

U.S. PATENT DOCUMENTS

- D210,013 S * 1/1968 Osberg D12/421
- 3,512,605 A * 5/1970 McCorkle 381/301
- D228,523 S * 10/1973 Wilkes D14/172
- 5,146,618 A * 9/1992 Wenner 455/345
- 5,546,468 A * 8/1996 Beard 381/86
- D618,214 S * 6/2010 Wang et al. D14/209.1

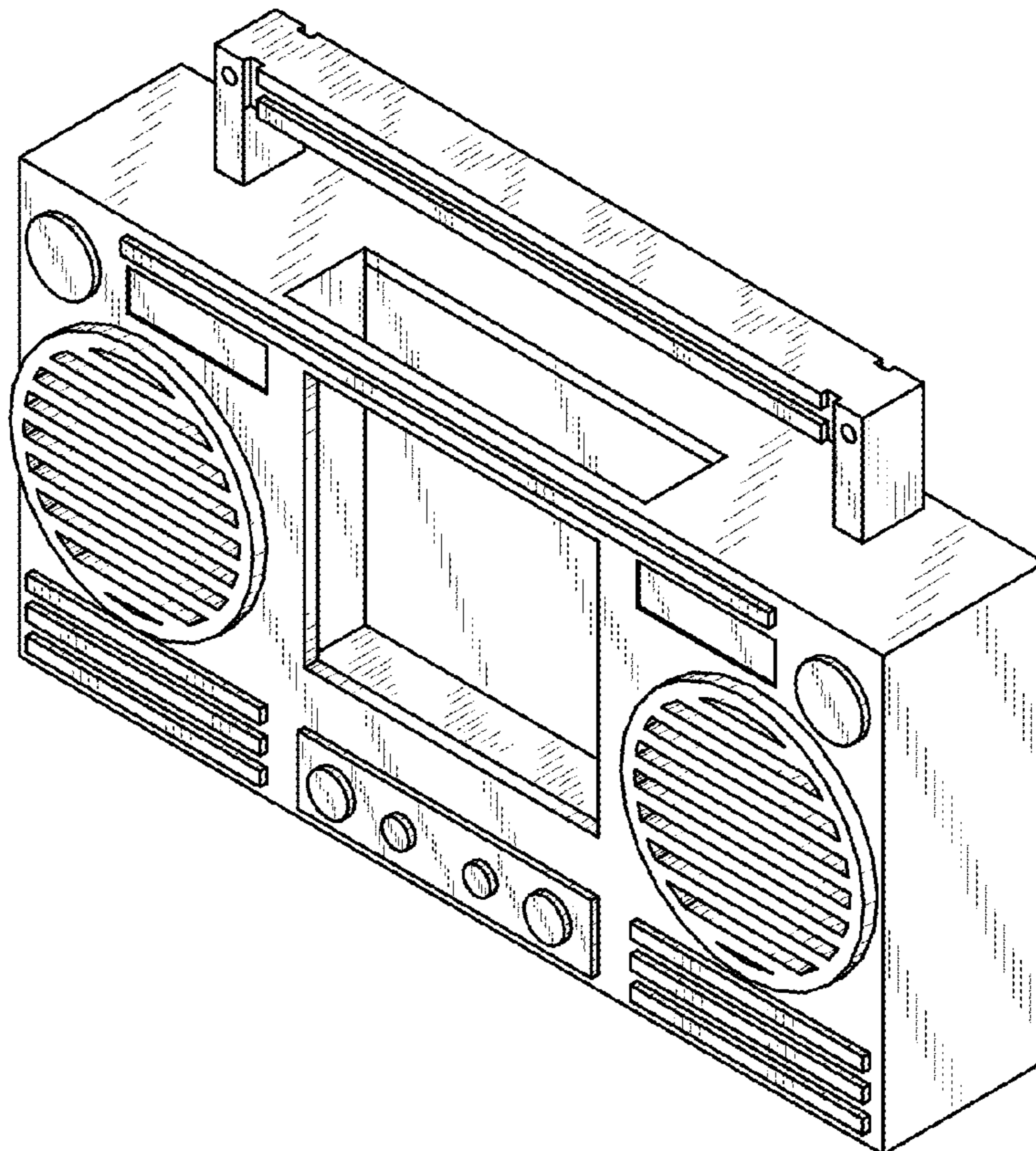
(57) **CLAIM**

The ornamental design for a dock and speakers, as shown and described.

DESCRIPTION

FIG. 1 is a front/side perspective view of the dock and speakers showing my new design;
 FIG. 2 is a front view thereof;
 FIG. 3 is a rear view thereof;
 FIG. 4 is a left-side view thereof;
 FIG. 5 is a right-side view thereof; and,
 FIG. 6 is a top view thereof.
 The broken lines are for illustrative purpose only and form no part of the claimed design.

1 Claim, 3 Drawing Sheets



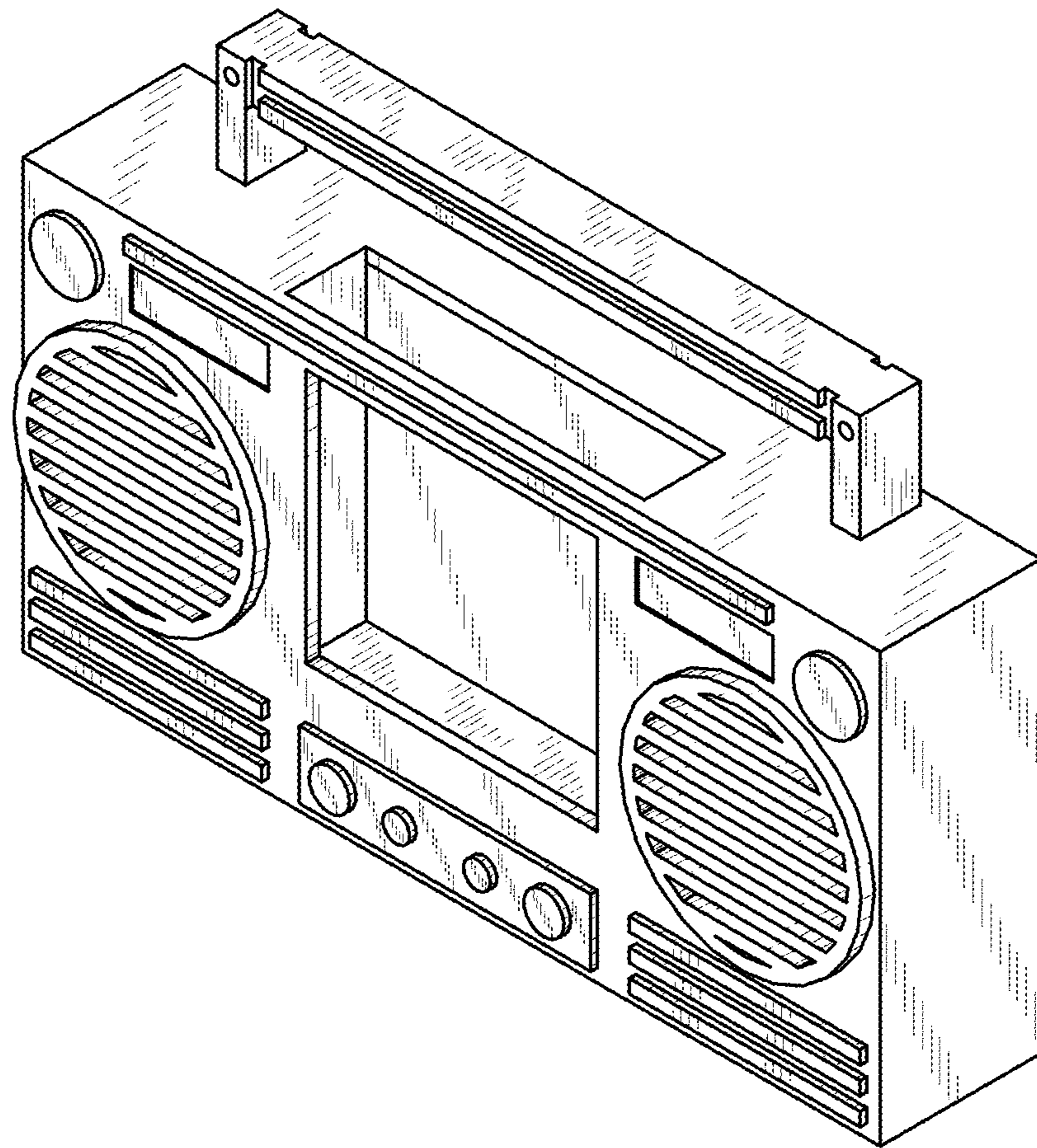


FIG. 1

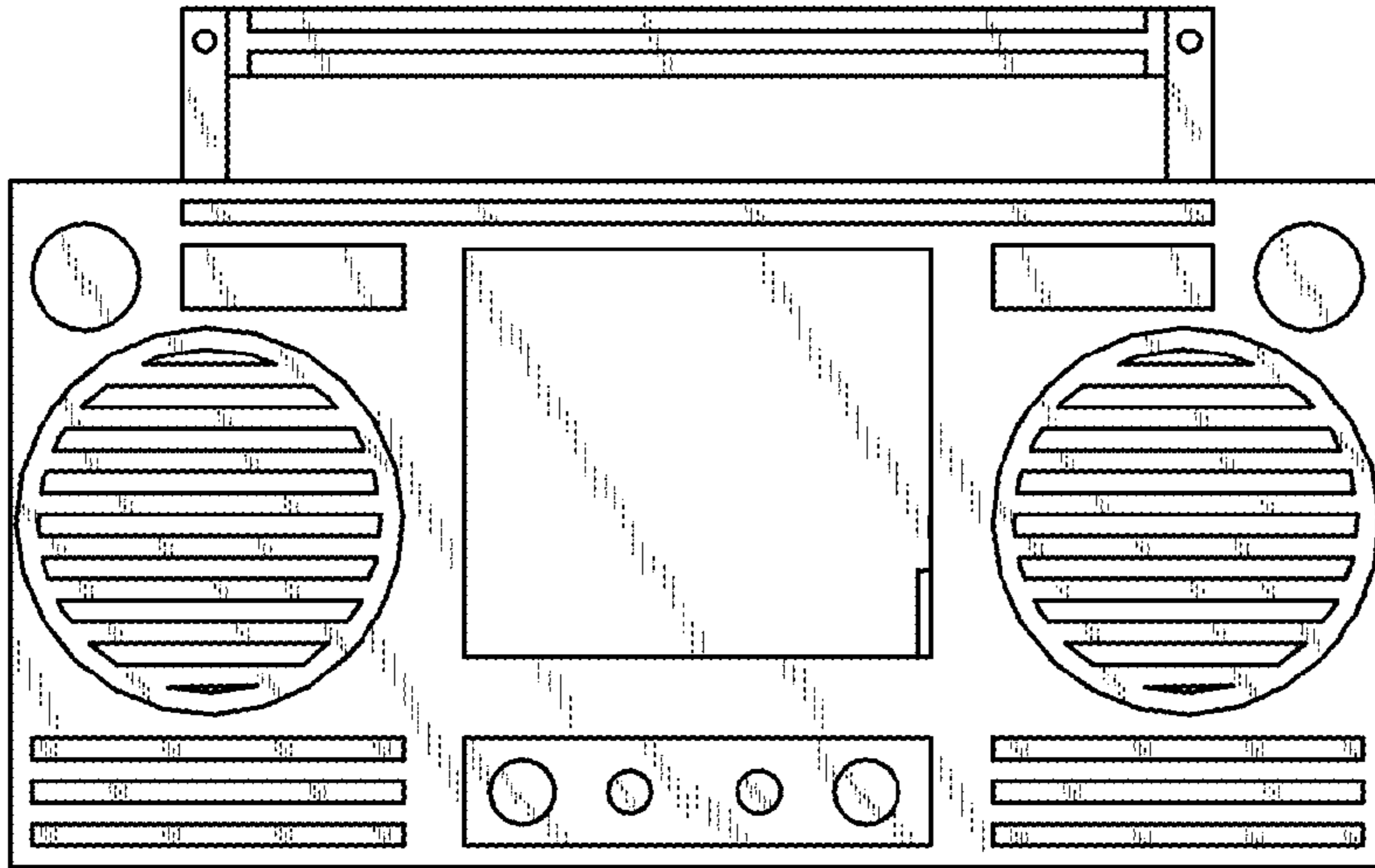


FIG. 2

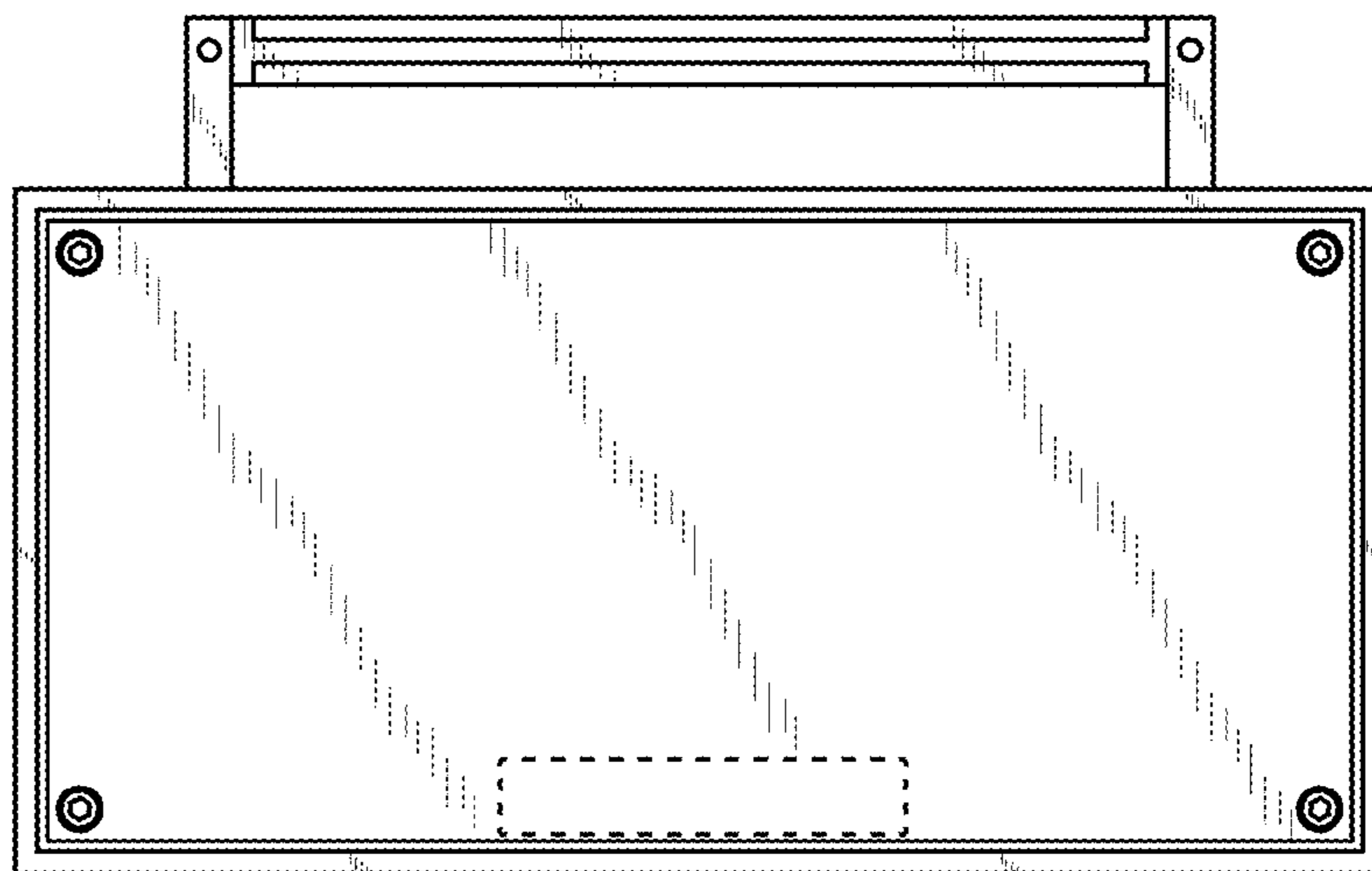


FIG. 3

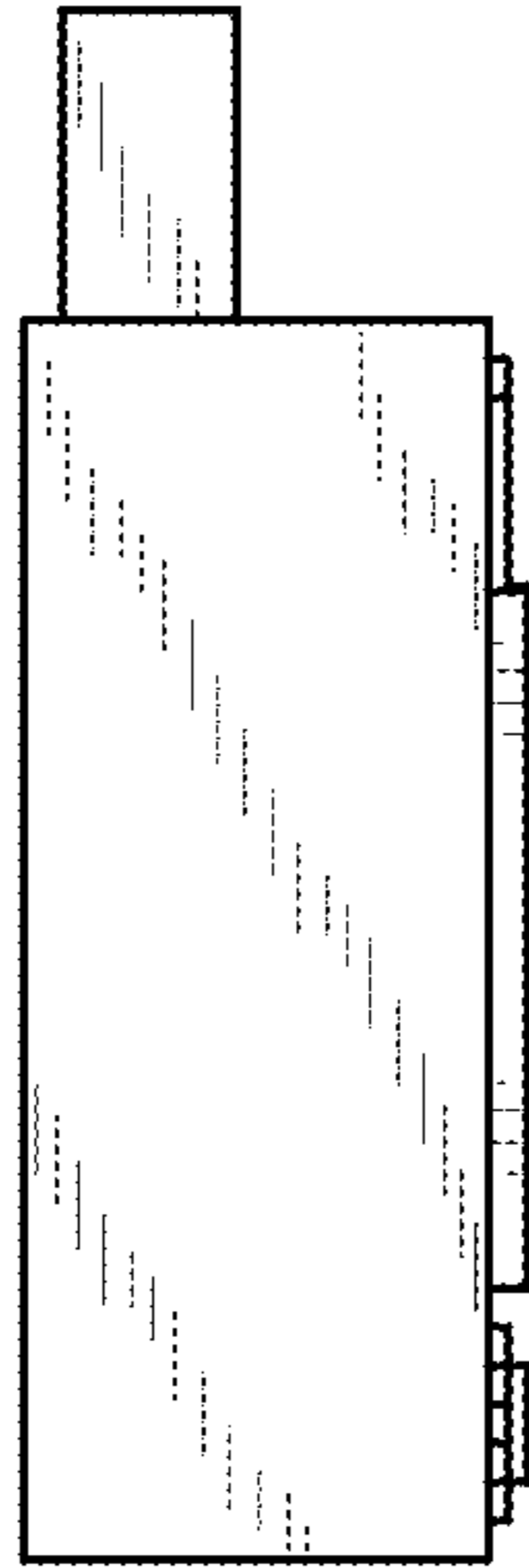


FIG. 4

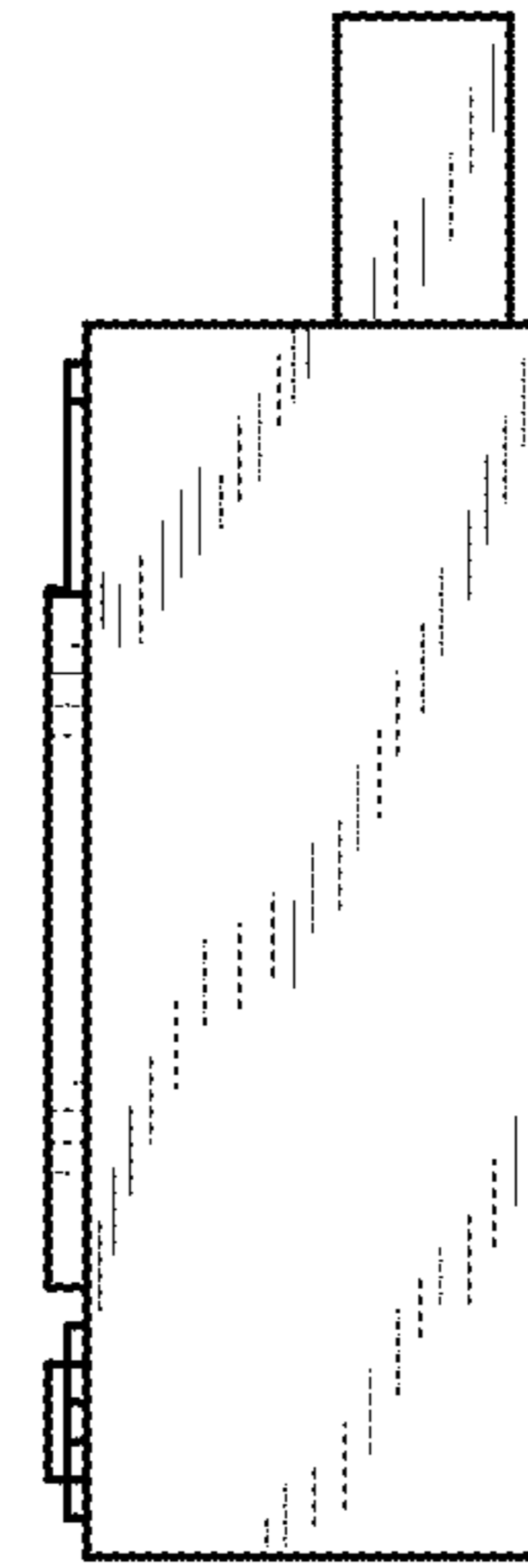


FIG. 5

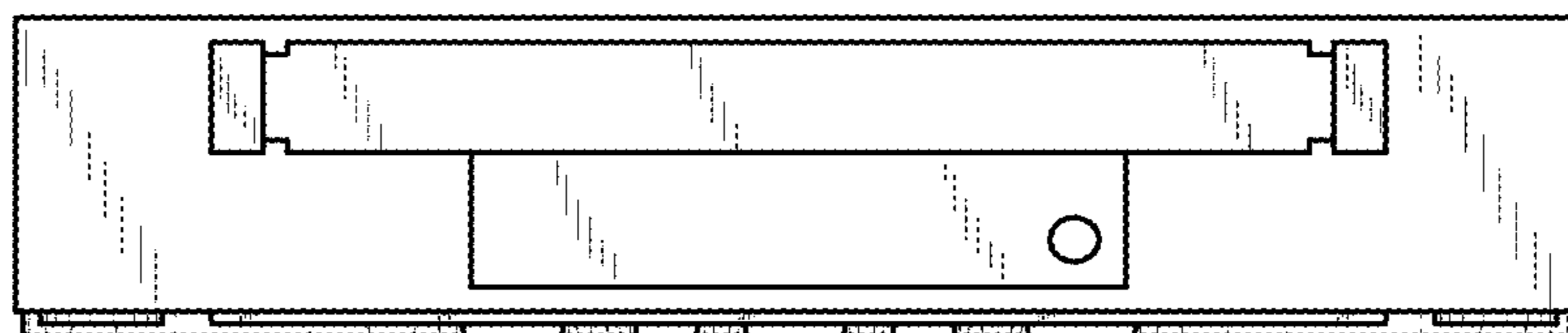


FIG. 6