



US00D692853S

(12) **United States Design Patent**  
**Nokuo**

(10) **Patent No.:** **US D692,853 S**

(45) **Date of Patent:** **\*\* Nov. 5, 2013**

(54) **HEADPHONE**

(75) Inventor: **Taichi Nokuo**, Tokyo (JP)

(73) Assignee: **Sony Computer Entertainment Inc.**,  
Tokyo (JP)

(\*\*) Term: **14 Years**

(21) Appl. No.: **29/421,079**

(22) Filed: **May 17, 2012**

(51) **LOC (9) Cl.** ..... **14-01**

(52) **U.S. Cl.**  
USPC ..... **D14/205**

(58) **Field of Classification Search**  
USPC ..... D14/205, 206, 223; D29/112; 2/209;  
379/430, 431, 433; 381/380, 381;  
455/90.3, 575.1

See application file for complete search history.

(56) **References Cited**

**U.S. PATENT DOCUMENTS**

4,821,318	A *	4/1989	Wu	379/430
D333,137	S *	2/1993	Burke	D14/206
5,381,486	A *	1/1995	Ludeke et al.	381/375
5,469,505	A *	11/1995	Gathey et al.	379/430
5,793,865	A *	8/1998	Leifer	379/430
5,841,859	A *	11/1998	Chen	379/433.01
D409,197	S *	5/1999	Nakamura	D14/205
D430,140	S *	8/2000	Roman	D14/205
D443,603	S *	6/2001	Taylor et al.	D14/206

D518,479	S *	4/2006	Skulley	D14/225
D609,694	S	2/2010	Komiyama	
D616,418	S *	5/2010	Morisawa	D14/205
D620,474	S	7/2010	Komiyama	
D637,176	S *	5/2011	Brunner et al.	D14/205
D641,725	S *	7/2011	Chong et al.	D14/205
D657,346	S *	4/2012	Park	D14/205
D662,912	S *	7/2012	Iijima et al.	D14/205
D672,745	S *	12/2012	Abed et al.	D14/205

\* cited by examiner

*Primary Examiner* — Paula Greene

(74) *Attorney, Agent, or Firm* — Rader, Fishman & Grauer  
PLLC

(57) **CLAIM**

The ornamental design for a headphone, as shown and described.

**DESCRIPTION**

FIG. 1 is a front, top, right perspective view of a headphone showing my new design, the opposite headphone ear cup is a mirror image;

FIG. 2 is a rear, bottom, left perspective view thereof;

FIG. 3 is a front elevational view thereof;

FIG. 4 is a rear elevational view thereof;

FIG. 5 is a left side elevational view thereof;

FIG. 6 is a right side elevational view thereof;

FIG. 7 is a top plan view thereof; and,

FIG. 8 is a bottom plan view thereof.

The broken lines form no part of the claimed design.

**1 Claim, 7 Drawing Sheets**

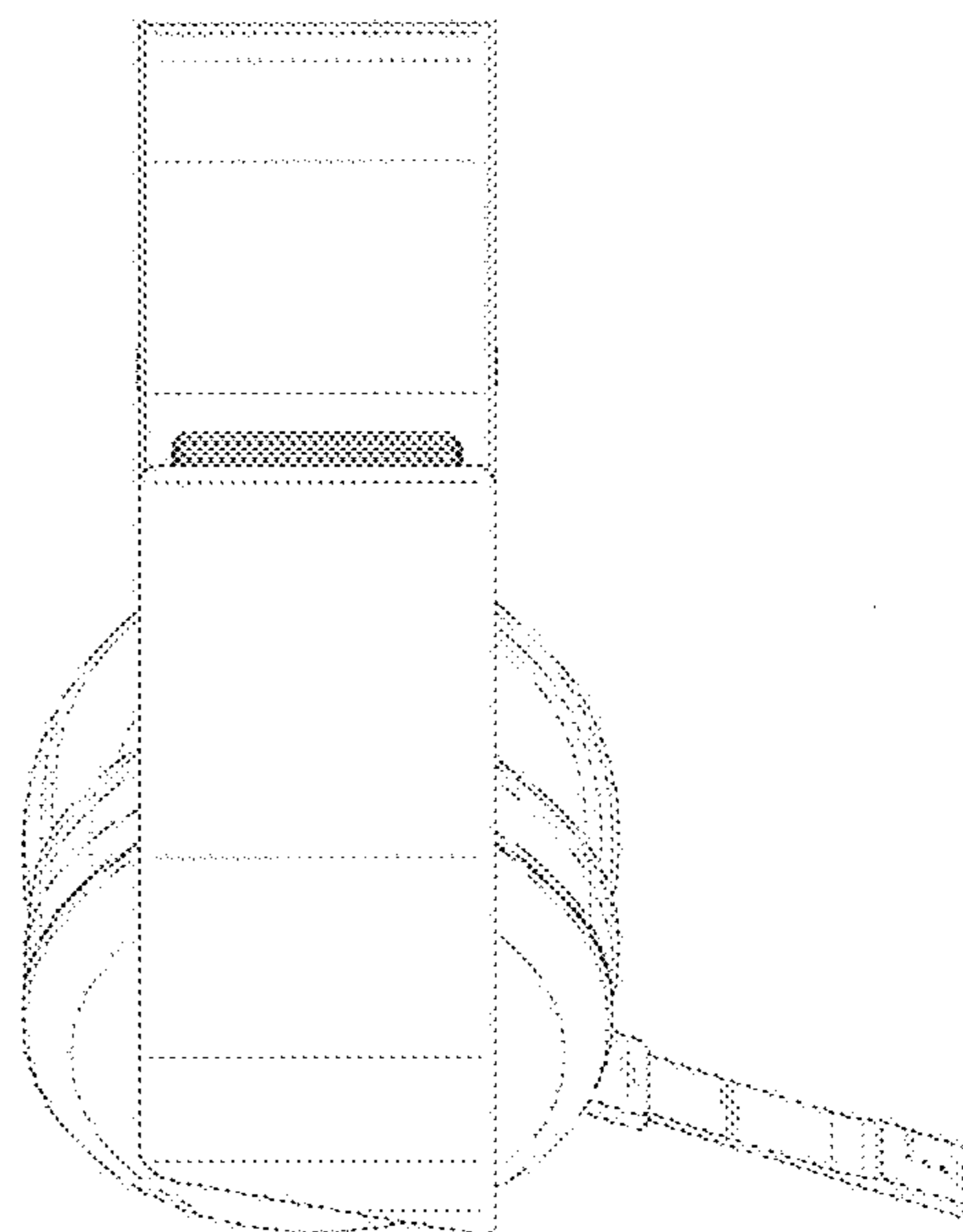
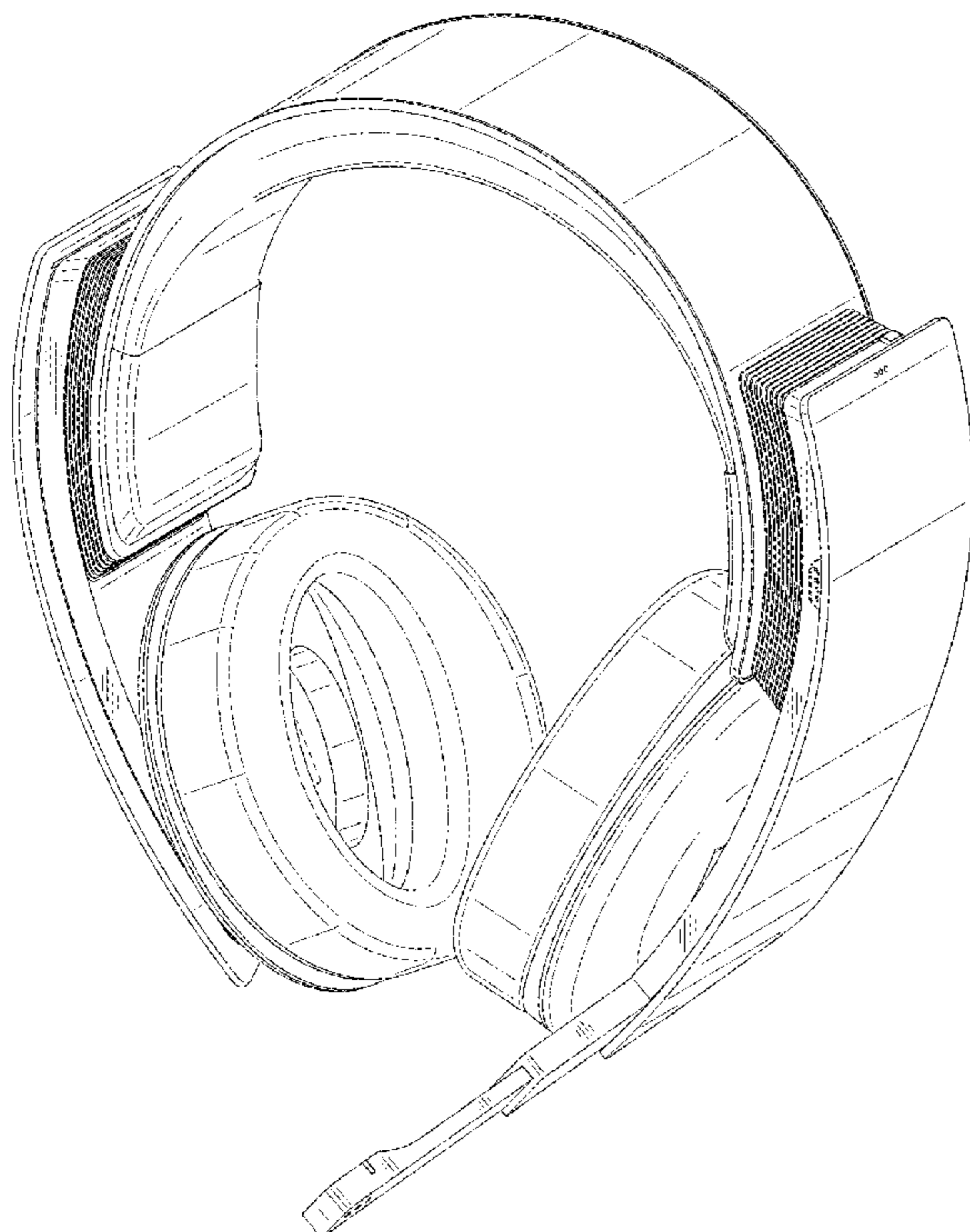


FIG. 1

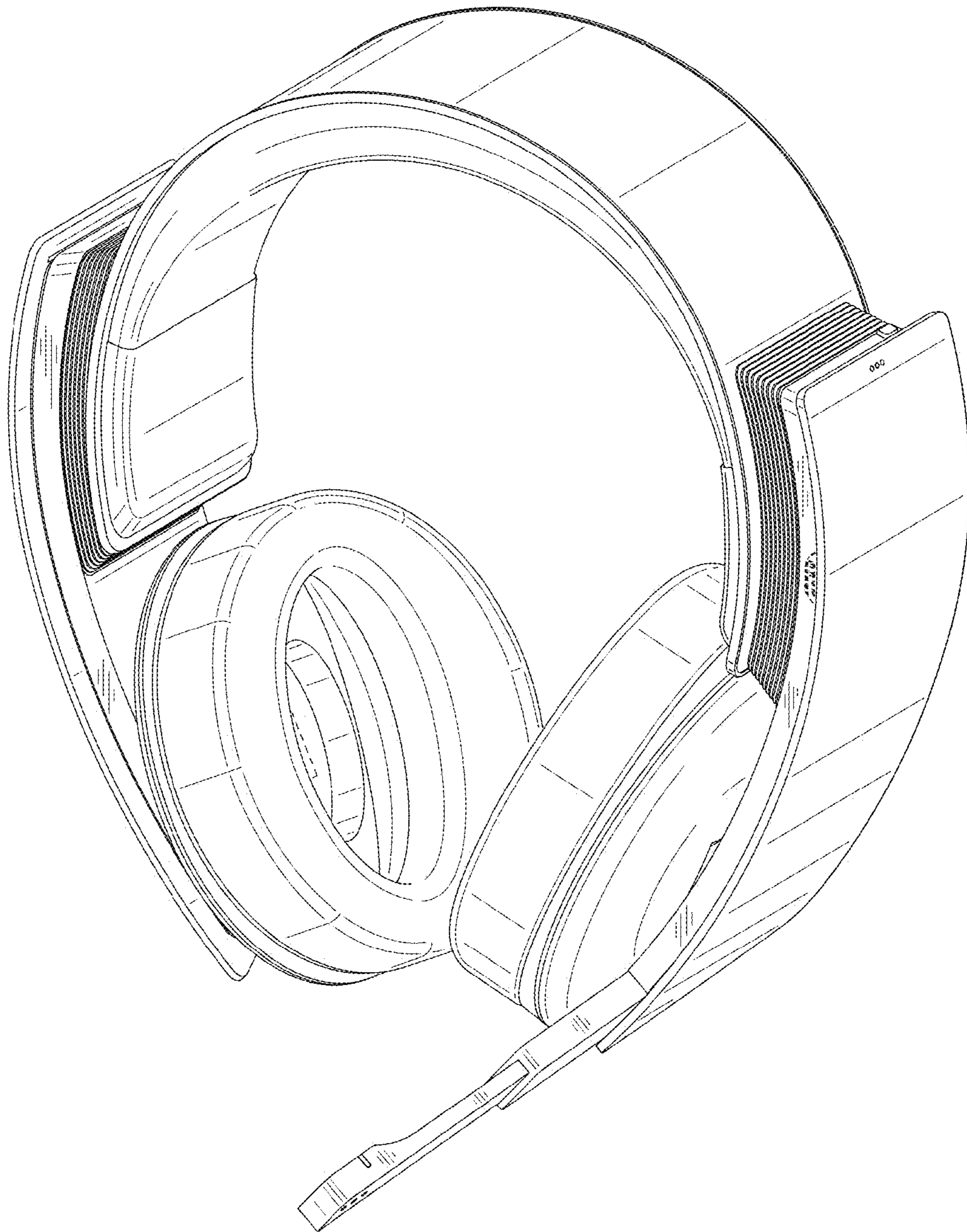




FIG.2

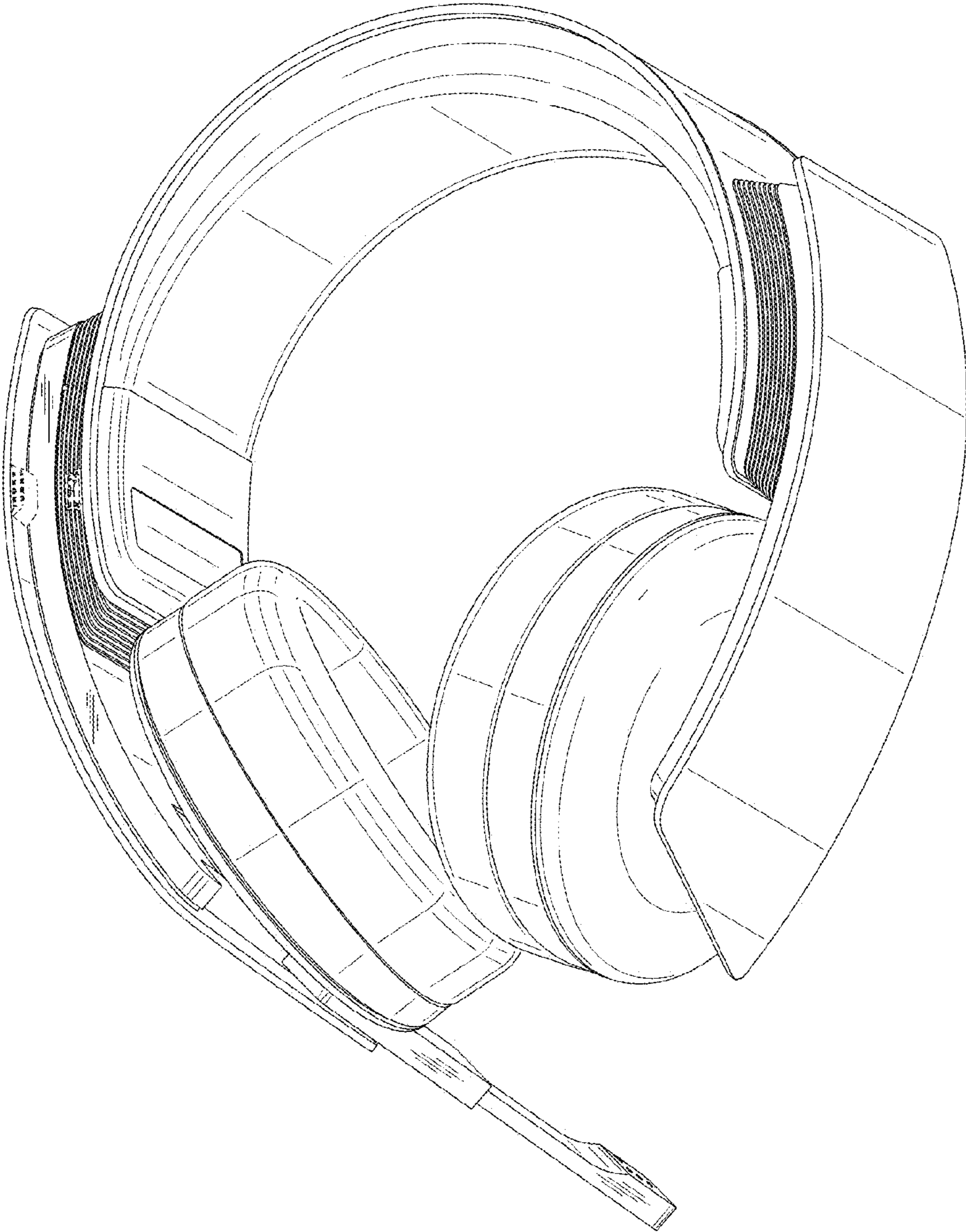


FIG.3



FIG.4





FIG. 5

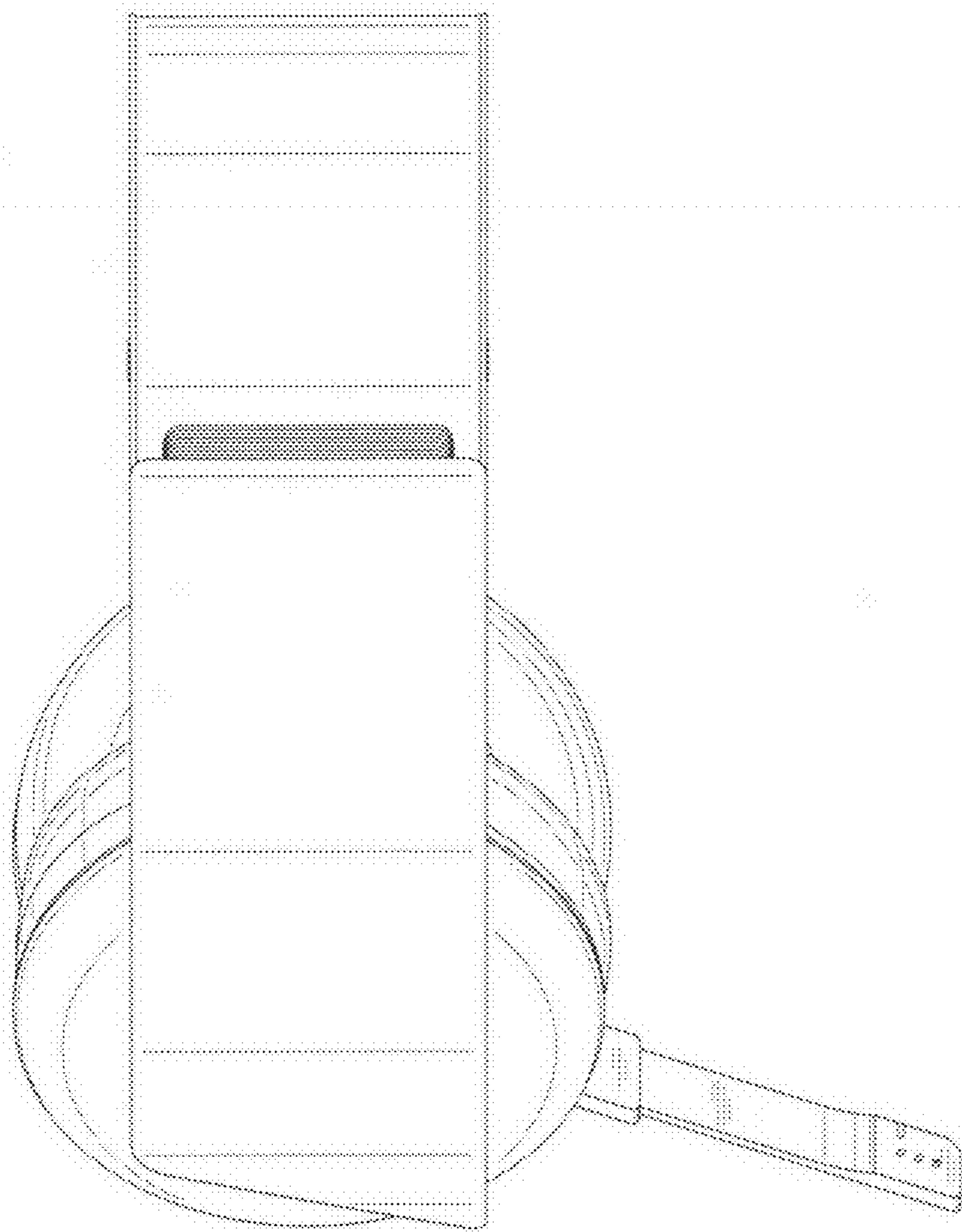


FIG.6

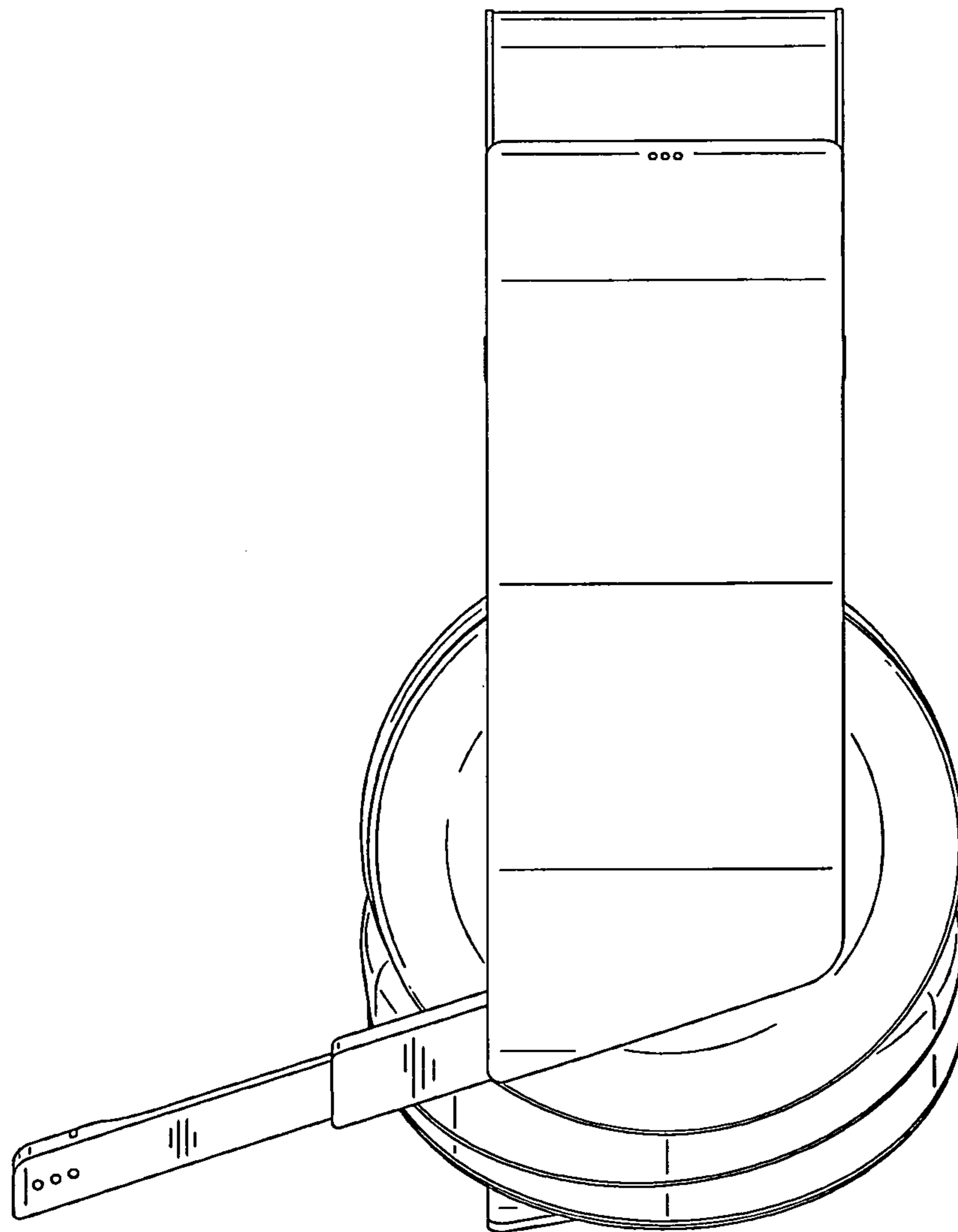


FIG. 7

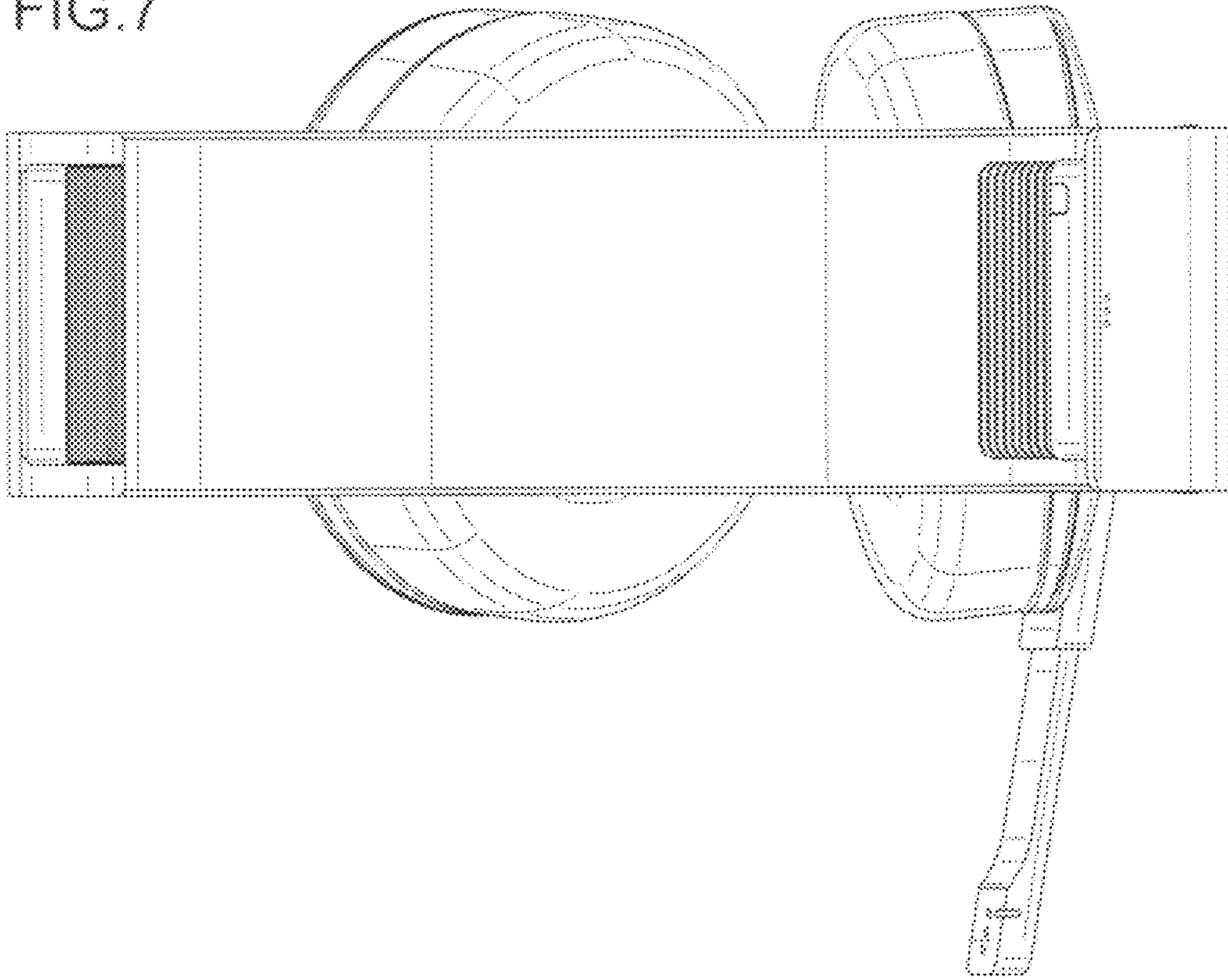


FIG. 8

