

US00D692848S

(12) **United States Design Patent**  
**Poandl**

(10) **Patent No.:** **US D692,848 S**  
(45) **Date of Patent:** **\*\* Nov. 5, 2013**

- (54) **PORTABLE BLUETOOTH SPEAKER WITH FM RADIO**
- (75) Inventor: **Mary Beth Poandl**, Red Bank, NJ (US)
- (73) Assignee: **SDI Technologies, Inc.**, Rahway, NJ (US)
- (\*\*) Term: **14 Years**
- (21) Appl. No.: **29/429,862**
- (22) Filed: **Aug. 17, 2012**
- (51) **LOC (9) Cl.** ..... **14-01**
- (52) **U.S. Cl.**  
USPC ..... **D14/172; D14/188**
- (58) **Field of Classification Search**  
USPC ..... D14/204, 209–216, 135, 168, 172, 502, D14/188, 194, 197, 167, 497, 125, 238.1, D14/239, 265; 181/143, 144, 147, 148, 150, 181/157, 198, 199, 151, 153; 381/330–302, 381/306, 333, 345, 361–364, 386–388, 331, 381/336; 340/286.01; 369/6–12; 455/344, 455/347–351  
See application file for complete search history.

D551,679	S	*	9/2007	Hayes	.....	D14/496
D620,923	S	*	8/2010	Orfali	.....	D14/209.1
7,810,750	B2	*	10/2010	Abreu	.....	242/378.1
D636,759	S	*	4/2011	Chen	.....	D14/214
D644,627	S	*	9/2011	Garrett	.....	D14/214
D676,627	S	*	2/2013	Doss	.....	D2/624

\* cited by examiner

*Primary Examiner* — Prabhakar Deshmukh  
(74) *Attorney, Agent, or Firm* — Ostrolenk Faber LLP

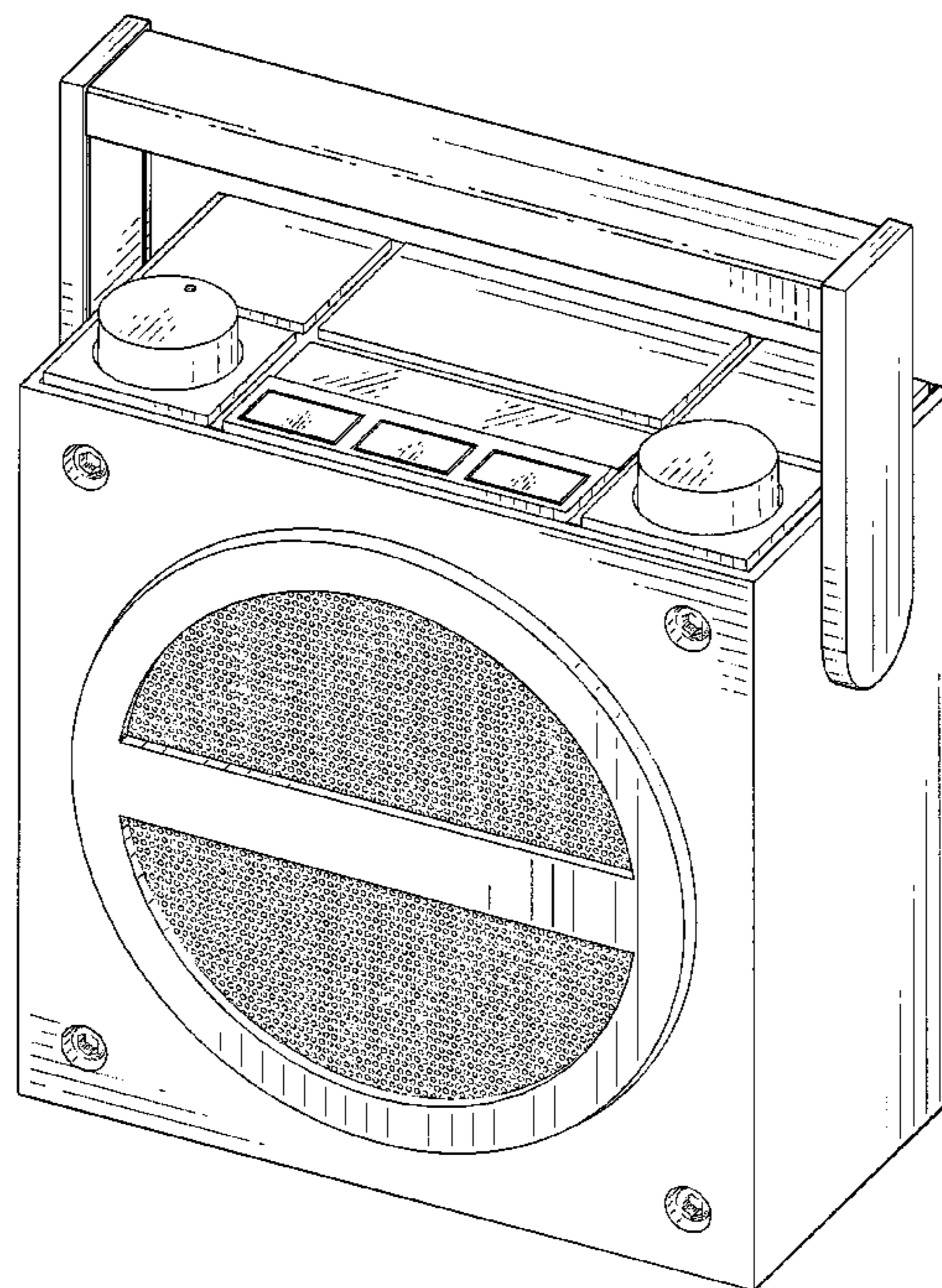
(57) **CLAIM**  
The ornamental design for a portable bluetooth speaker with FM radio, as shown and described.

**DESCRIPTION**

FIG. 1 is a front perspective view of a portable bluetooth speaker with FM radio showing my new design;  
 FIG. 2 is a front view thereof;  
 FIG. 3 is a rear view thereof;  
 FIG. 4 is a top view thereof;  
 FIG. 5 is a bottom view thereof;  
 FIG. 6 is a side view thereof, the opposite side view being a mirror image;  
 FIG. 7 is a cross-sectional view thereof along line 7-7 in FIG. 2;  
 FIG. 8 is a front perspective view thereof, with the handle shown in resting position;  
 FIG. 9 is a front view thereof;  
 FIG. 10 is a rear view thereof;  
 FIG. 11 is a top view thereof;  
 FIG. 12 is a bottom view thereof; and,  
 FIG. 13 is a side view thereof, the opposite side view being a mirror image.

**1 Claim, 13 Drawing Sheets**

- (56) **References Cited**  
U.S. PATENT DOCUMENTS
- |           |    |   |         |                 |       |           |
|-----------|----|---|---------|-----------------|-------|-----------|
| 4,676,619 | A  | * | 6/1987  | Woolley         | ..... | 396/432   |
| 5,471,659 | A  | * | 11/1995 | Wong            | ..... | 455/132   |
| 5,546,468 | A  | * | 8/1996  | Beard           | ..... | 381/86    |
| 5,867,774 | A  | * | 2/1999  | Summers et al.  | ..... | 455/575.1 |
| 6,328,570 | B1 | * | 12/2001 | Ng              | ..... | 434/307 A |
| D486,816  | S  | * | 2/2004  | Nakajima et al. | ..... | D14/169   |
| D534,154  | S  | * | 12/2006 | Shen            | ..... | D14/188   |



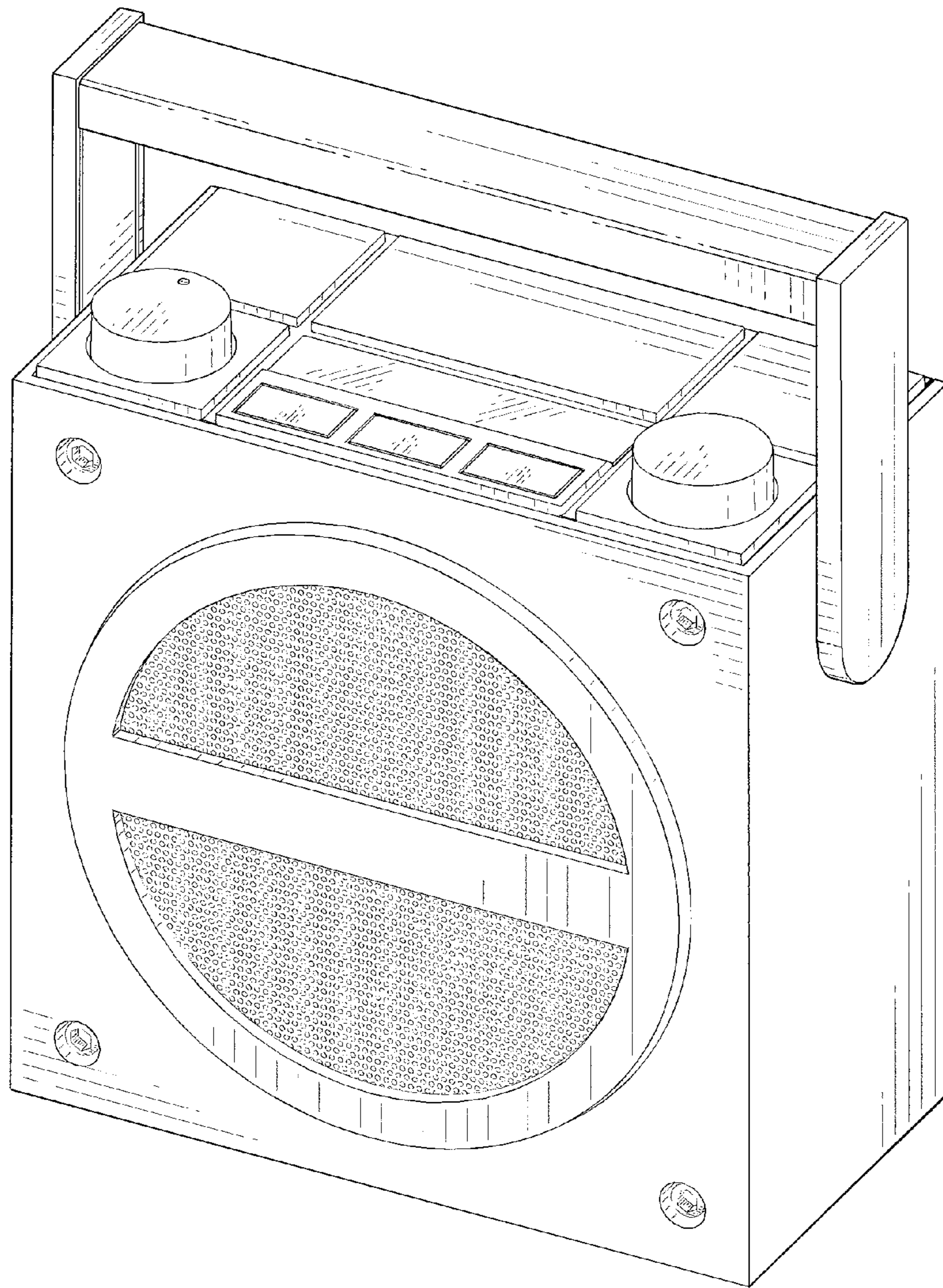


FIG. 1

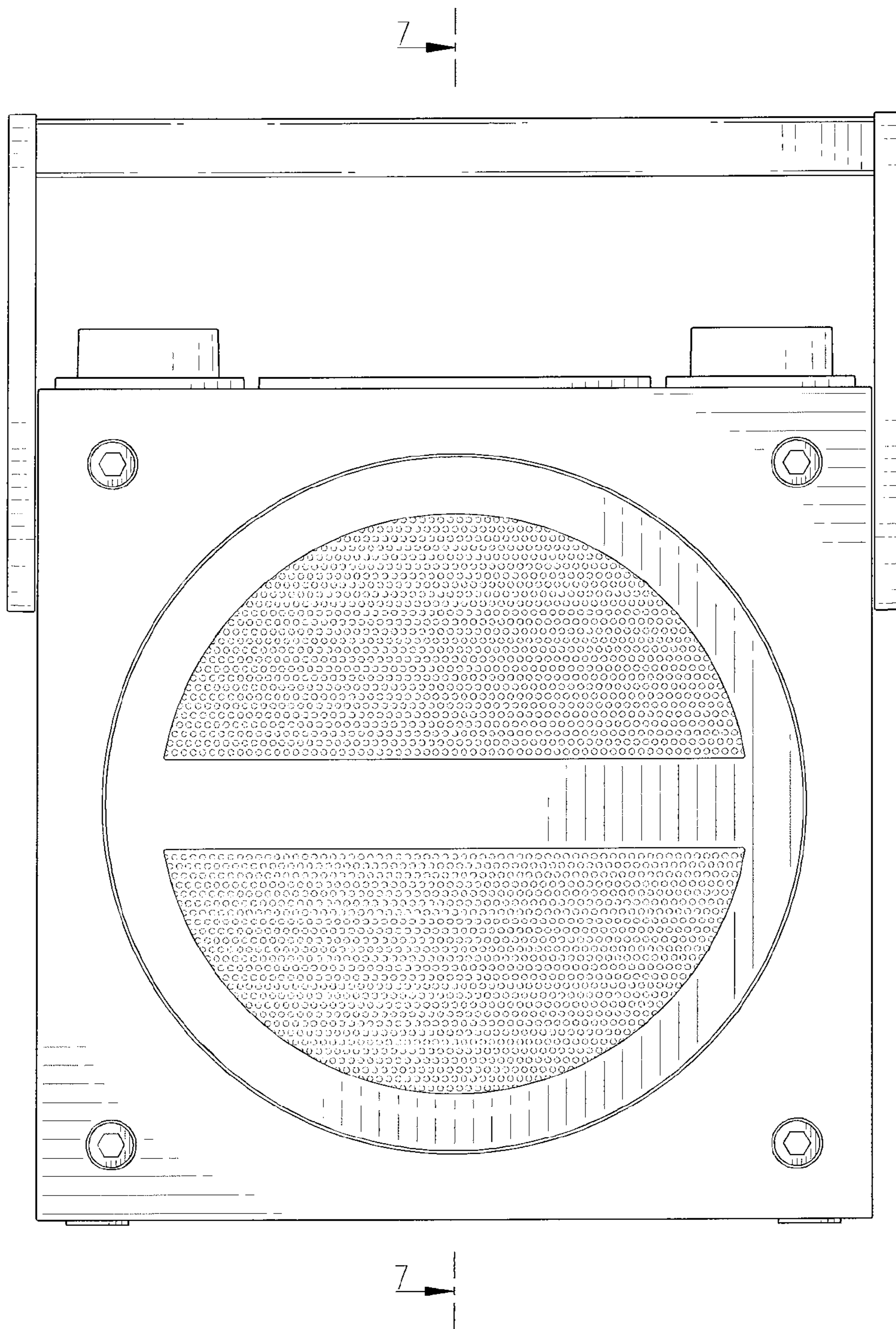


FIG. 2

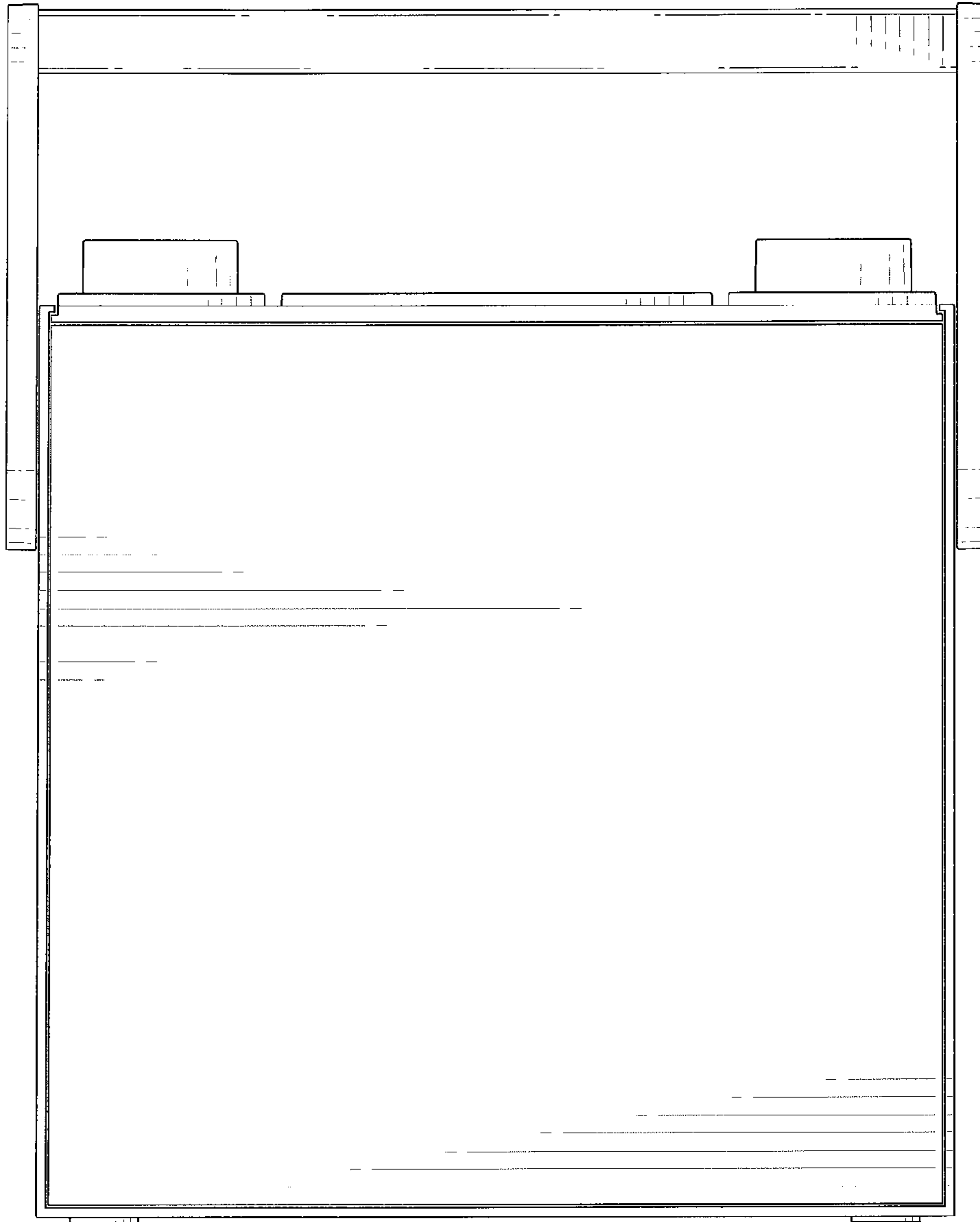


FIG. 3

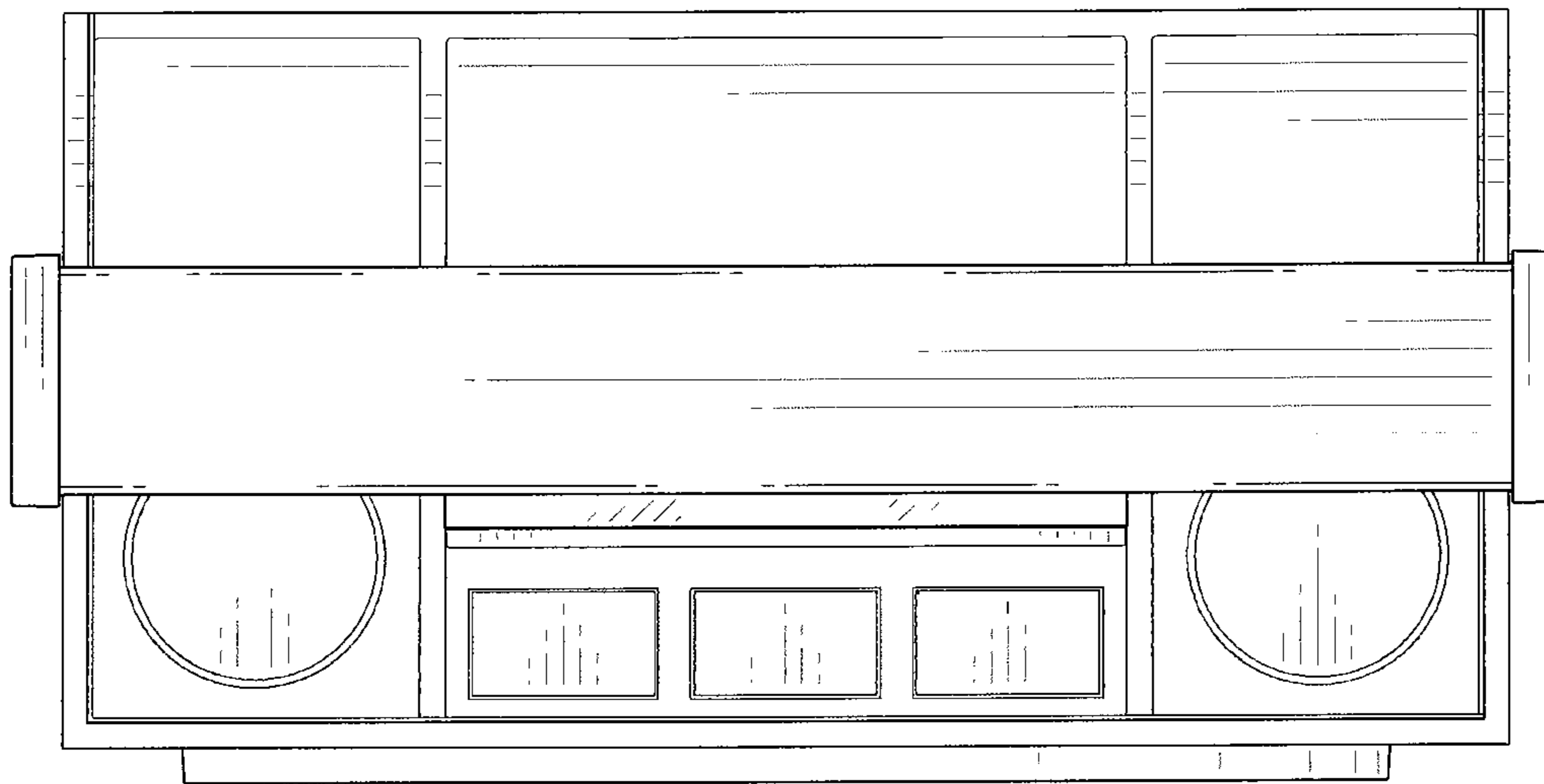


FIG. 4

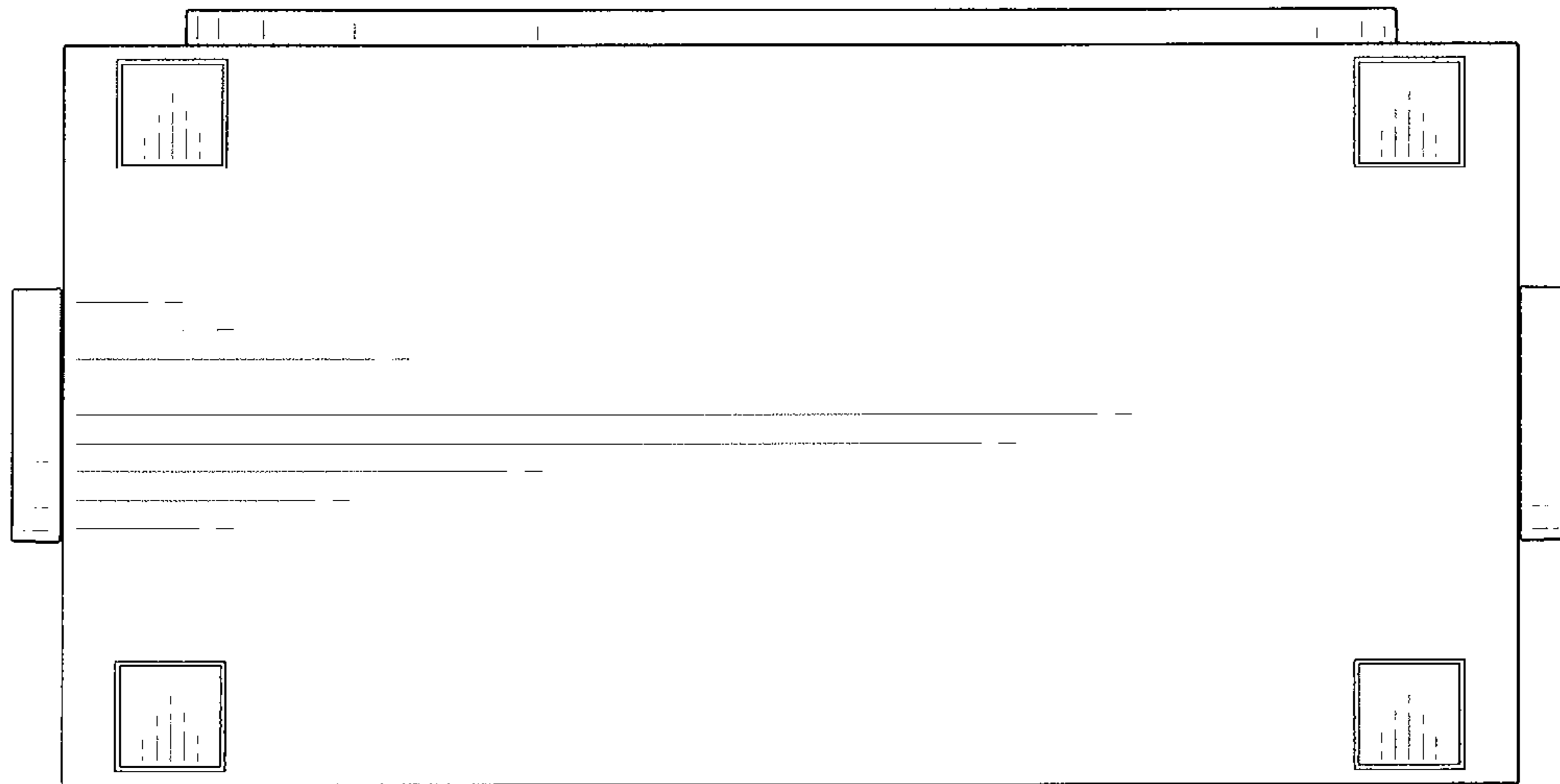


FIG. 5

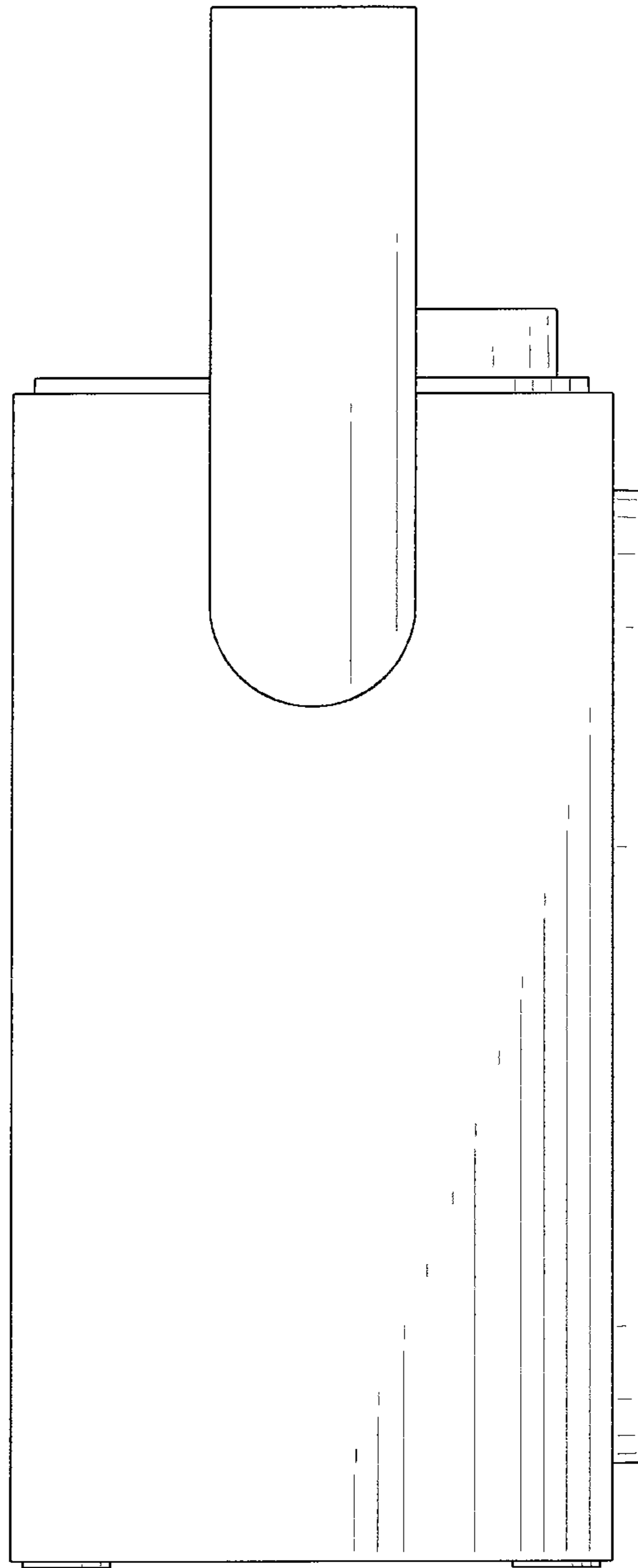


FIG. 6

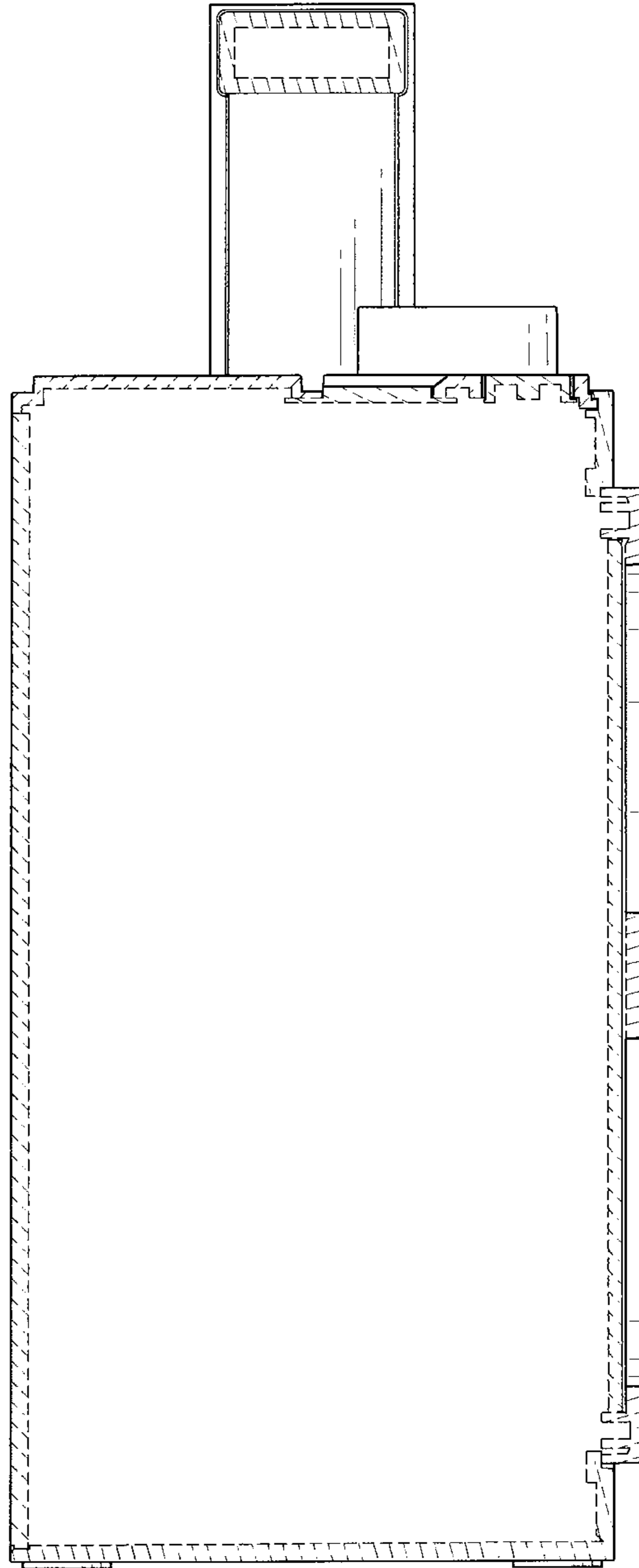


FIG. 7



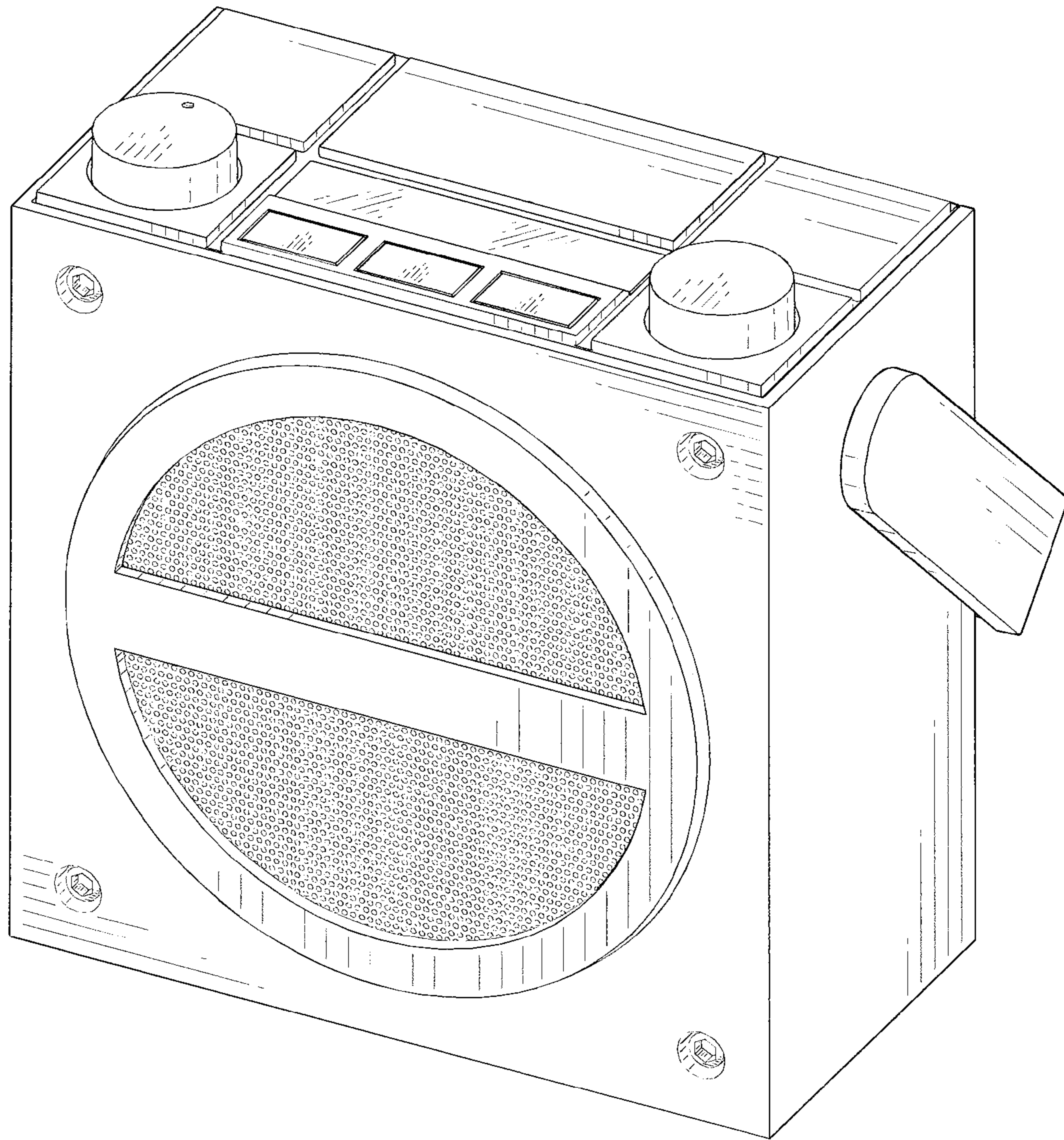


FIG. 8

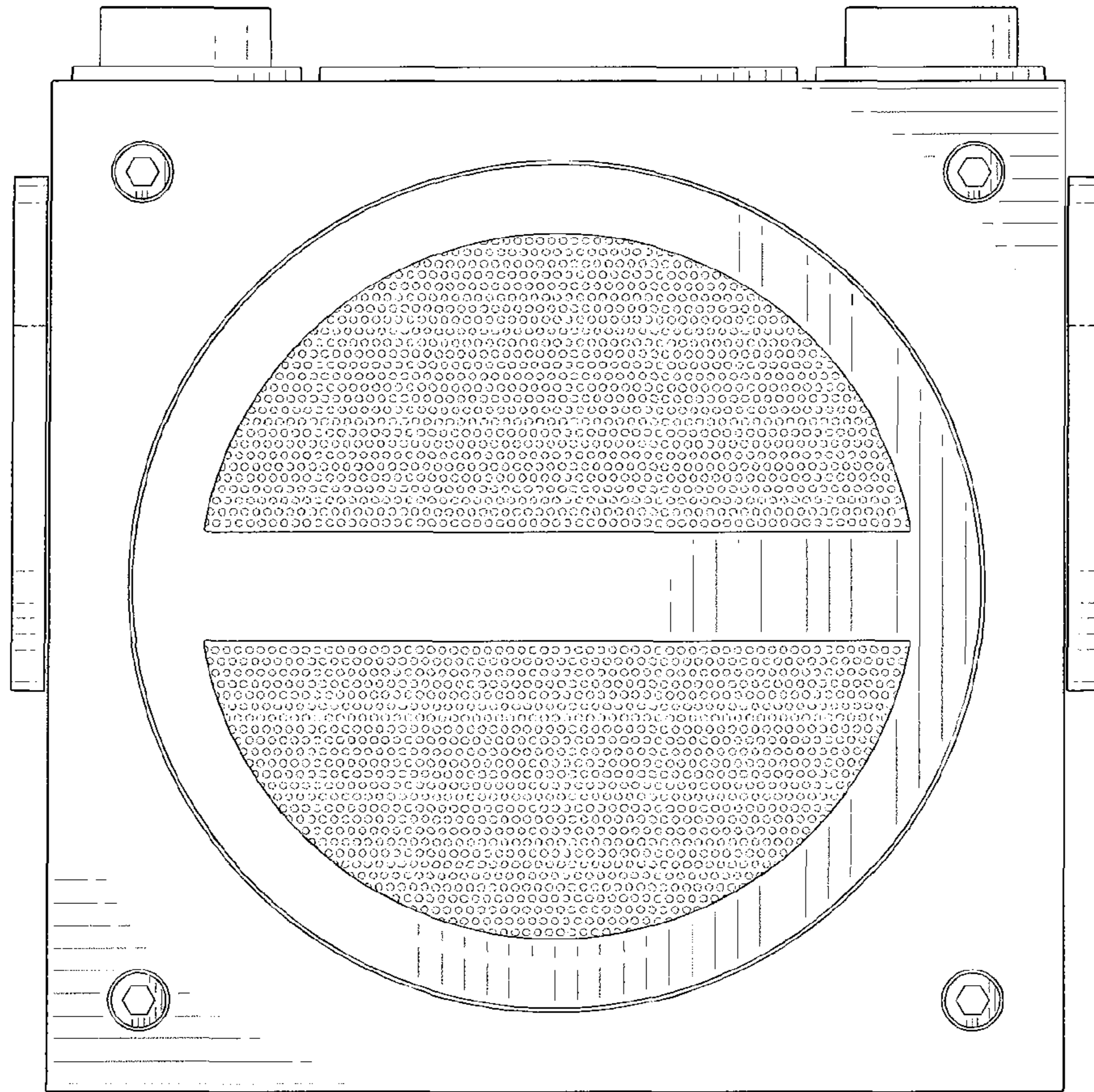


FIG. 9

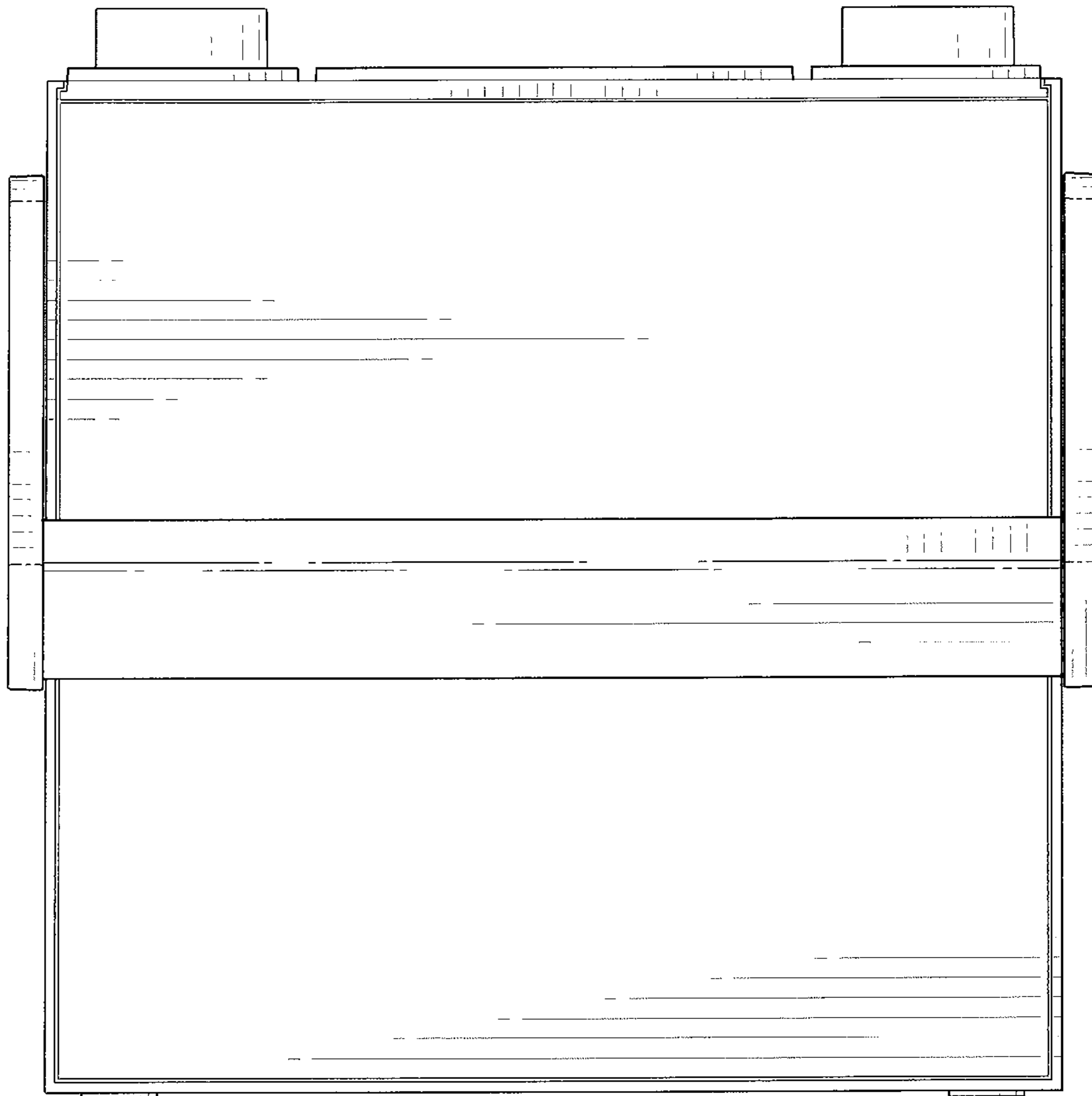


FIG. 10

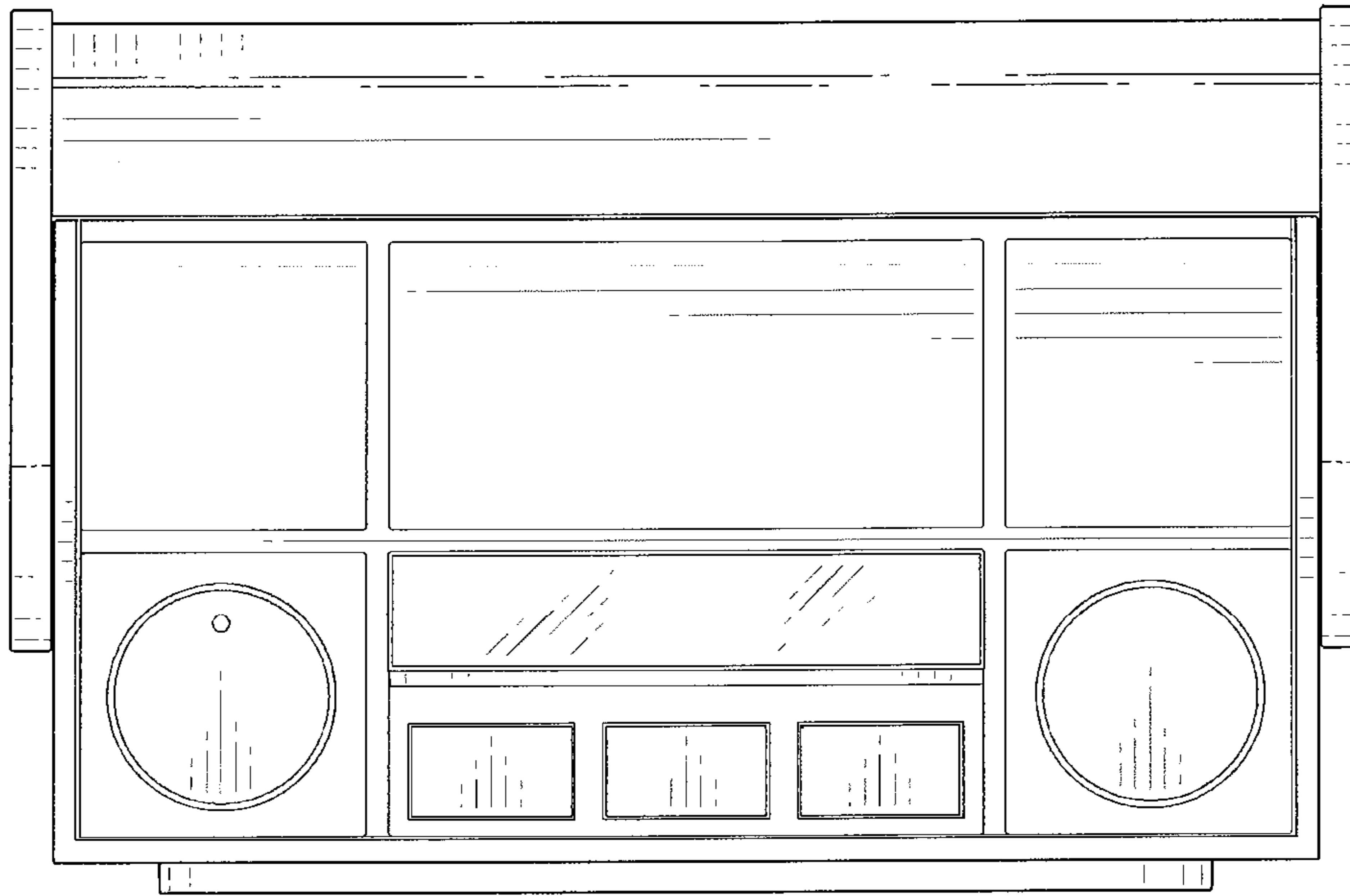


FIG. 11

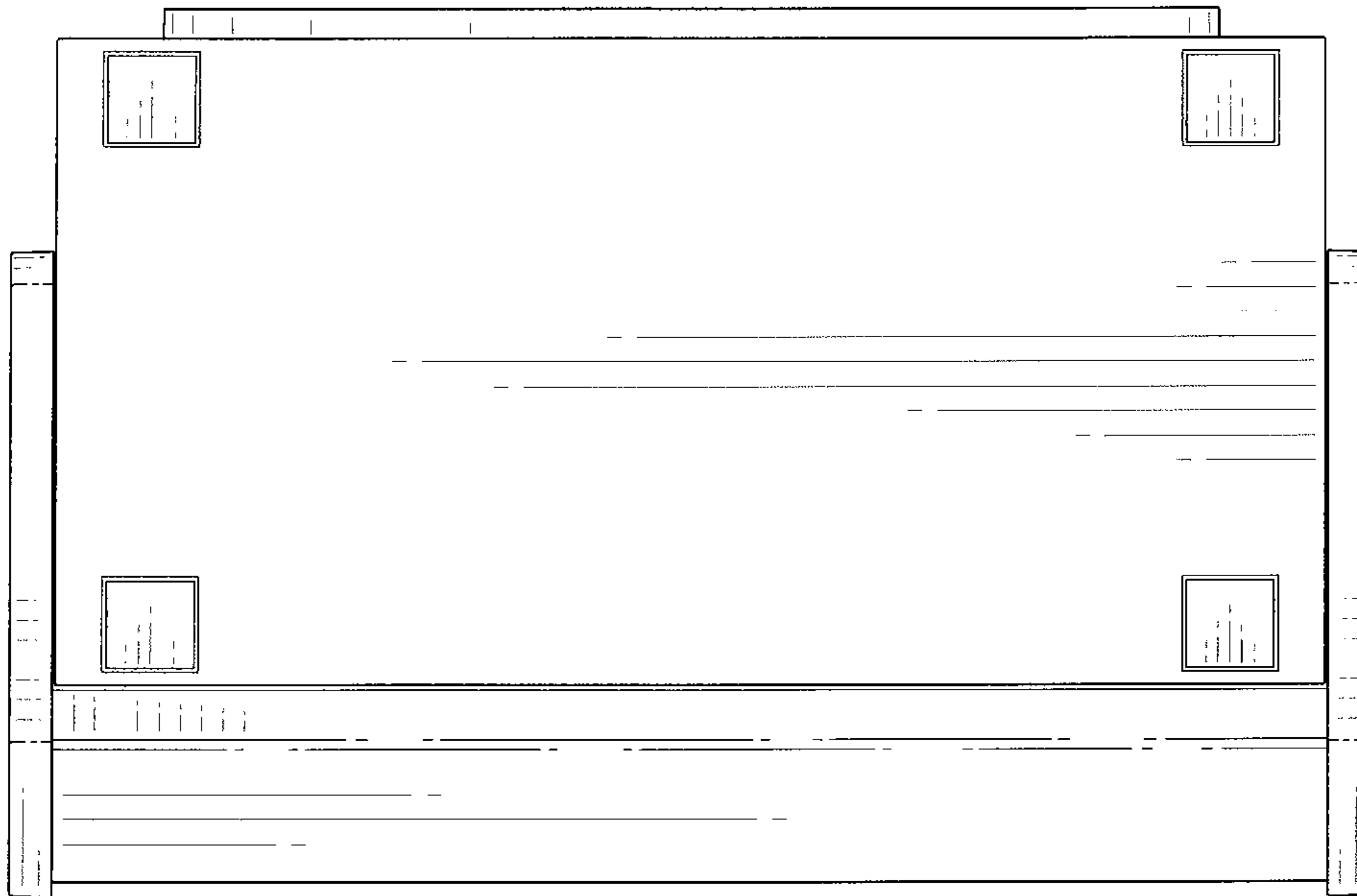


FIG. 12

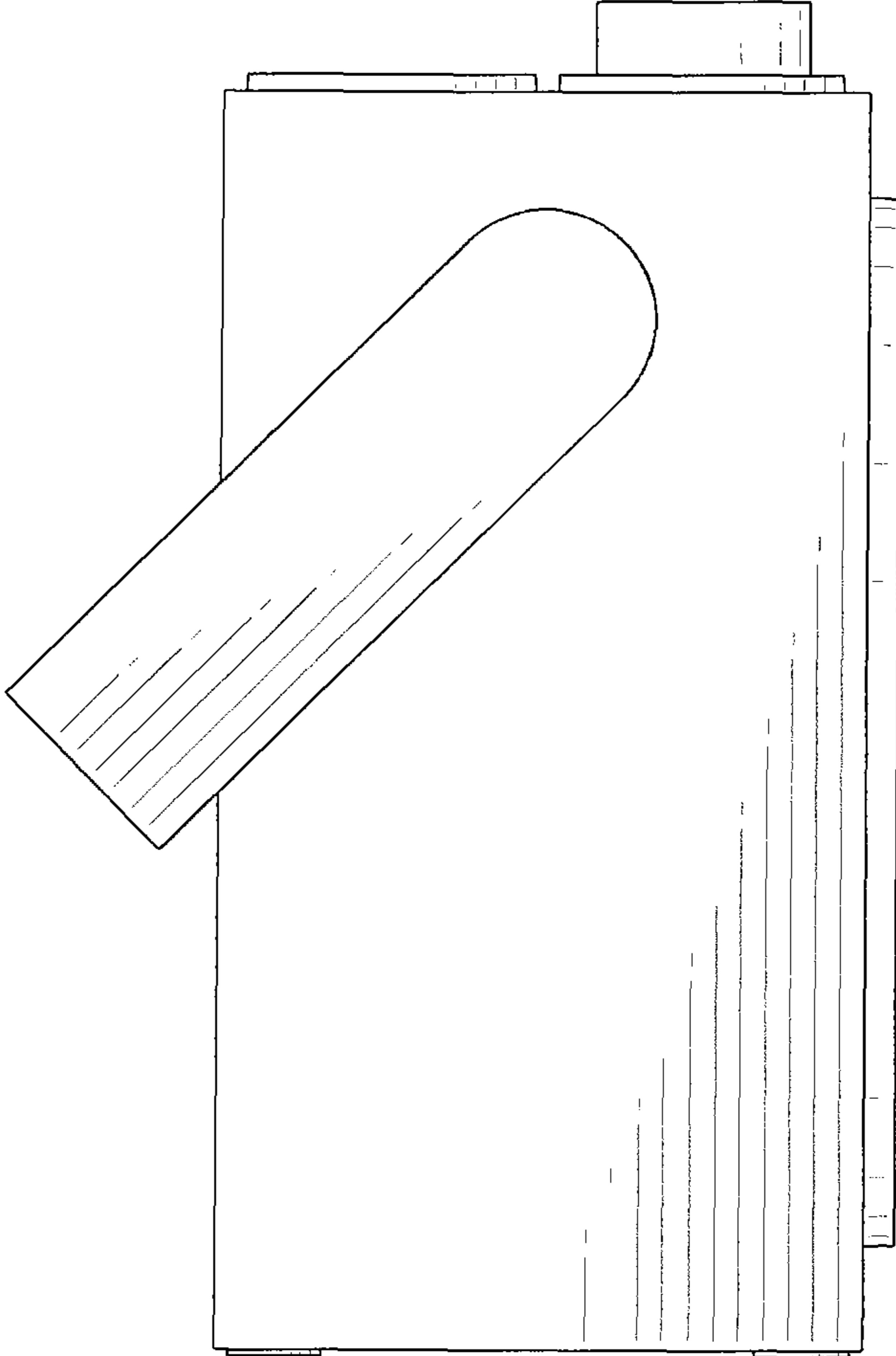


FIG. 13