



US00D692847S

(12) **United States Design Patent**  
**Barley et al.**

(10) **Patent No.:** **US D692,847 S**  
(45) **Date of Patent:** **\*\* Nov. 5, 2013**

(54) **MOBILE WIRELESS SOUND MONITOR  
BASE**

D647,502 S \* 10/2011 Holzer ..... D14/171  
D666,575 S \* 9/2012 Marsh ..... D14/159  
D670,877 S \* 11/2012 Geringer et al. .... D32/21

(75) Inventors: **Christopher B. Barley**, Grand Prairie,  
TX (US); **James Brandon Roach**,  
Grand Prairie, TX (US)

**OTHER PUBLICATIONS**

(73) Assignee: **WGI Innovations Ltd.**, Grand Prairie,  
TX (US)

Slim&Clear Digital Audio Monitor, 2 web pages, Slim& Clear Digital Audio Monitor Set, 1 web page, www.summerinfant.com, Jan. 6, 2011.

(\*\*) Term: **14 Years**

900 MHz BabyCall Nursery Monitor, Model 910Dual, 2 web pages, Model 910YLW, 2 web pages, www.sonystyle.com, Jan. 6, 2011.

(21) Appl. No.: **29/389,899**

Glow & Go Duo Monitoring System, 3 web pages, www.safety1st.com, Jan. 6, 2011.

(22) Filed: **Apr. 18, 2011**

Crystal Clear Monitor—2 Receiver Set, 3 web pages, www.safety1st.com, Jan. 6, 2011.

(51) **LOC (9) Cl.** ..... **14-03**

Sound View Monitor, 3 web pages, www.safety1st.com, Jan. 6, 2011.

(52) **U.S. Cl.**

True View Color Video Monitor, 3 web pages, www.safety1st.com, Jan. 6, 2011.

USPC ..... **D14/159**

(Continued)

(58) **Field of Classification Search**

USPC ..... D14/167, 154, 168, 188, 496, 156, 160,  
D14/161, 162, 163, 164, 165, 158, 253, 192,  
D14/159, 155, 138 AB, 137, 104.1; 455/351,  
455/350, 353; D10/104, 106, 65, 78, 104.1,  
D10/106.5, 81; 340/573.4, 573.1; D16/202,  
D16/219

*Primary Examiner* — Austin Murphy

(74) *Attorney, Agent, or Firm* — Geoffrey A. Mantooth

See application file for complete search history.

(57) **CLAIM**

The ornamental design for a mobile wireless sound monitor base, as shown and described.

(56) **References Cited**

**DESCRIPTION**

**U.S. PATENT DOCUMENTS**

D346,598 S \* 5/1994 McCay et al. .... D14/137  
D371,086 S \* 6/1996 Collins ..... D10/106.1  
D422,521 S \* 4/2000 Morrow ..... D10/106.5  
D430,546 S \* 9/2000 Gibson ..... D14/137  
D455,165 S \* 4/2002 Tsang et al. .... D16/202  
D460,707 S \* 7/2002 Gubitosi ..... D10/104.1  
D474,169 S \* 5/2003 Fletcher ..... D14/159  
D537,095 S \* 2/2007 Alden et al. .... D16/219  
D539,251 S \* 3/2007 Heath ..... D14/137  
D548,247 S \* 8/2007 Lee ..... D14/496  
D603,022 S \* 10/2009 Schonherr et al. .... D23/245  
D627,670 S \* 11/2010 Gonzales ..... D10/81  
D637,173 S \* 5/2011 Elkerbout ..... D14/159

FIG. 1 is a perspective front, bottom and left side view of a mobile wireless sound monitor base, showing our new design;

FIG. 2 is a bottom side view thereof;

FIG. 3 is a left side view thereof, the right side view being a mirror image thereof;

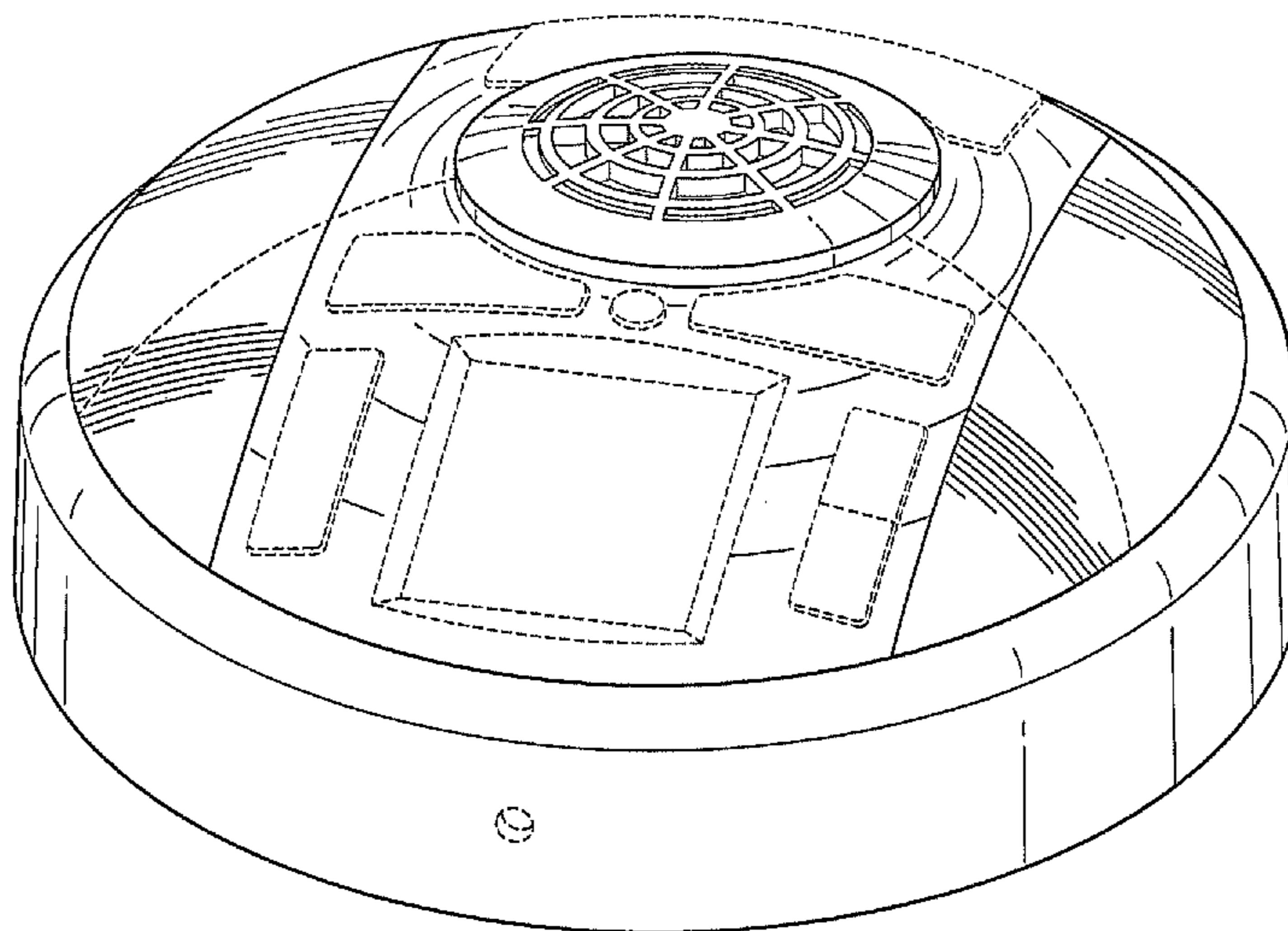
FIG. 4 is a top side view thereof;

FIG. 5 is a front side view thereof; and,

FIG. 6 is a bottom side view thereof.

The portions of the article in broken lines are for illustrative purposes only and form no part of the claimed design.

**1 Claim, 4 Drawing Sheets**



(56)

**References Cited**

OTHER PUBLICATIONS

SecureSleep Audio Baby Monitor, 1 web page, [www.summerinfant.com](http://www.summerinfant.com), Jan. 6, 2011.

Close2You Cordless Baby Monitor, 1 web page, [www.summerinfant.com](http://www.summerinfant.com), Jan. 6, 2011.

Fischer-Price Remote Control Musical Audio Monitor, 6 web pages, [www.toysrus.com](http://www.toysrus.com), Jan. 6, 2011.

AC401-Movement and sound monitor, 2 web pages, AC201-2P

Movement and Sound Monitor, 1 web page, [www.angelcare-monitor.com](http://www.angelcare-monitor.com), Jan. 6, 2011.

2 selected pages from Philips Avent Model SCD530 brochure, Jan. 6, 2011.

\* cited by examiner

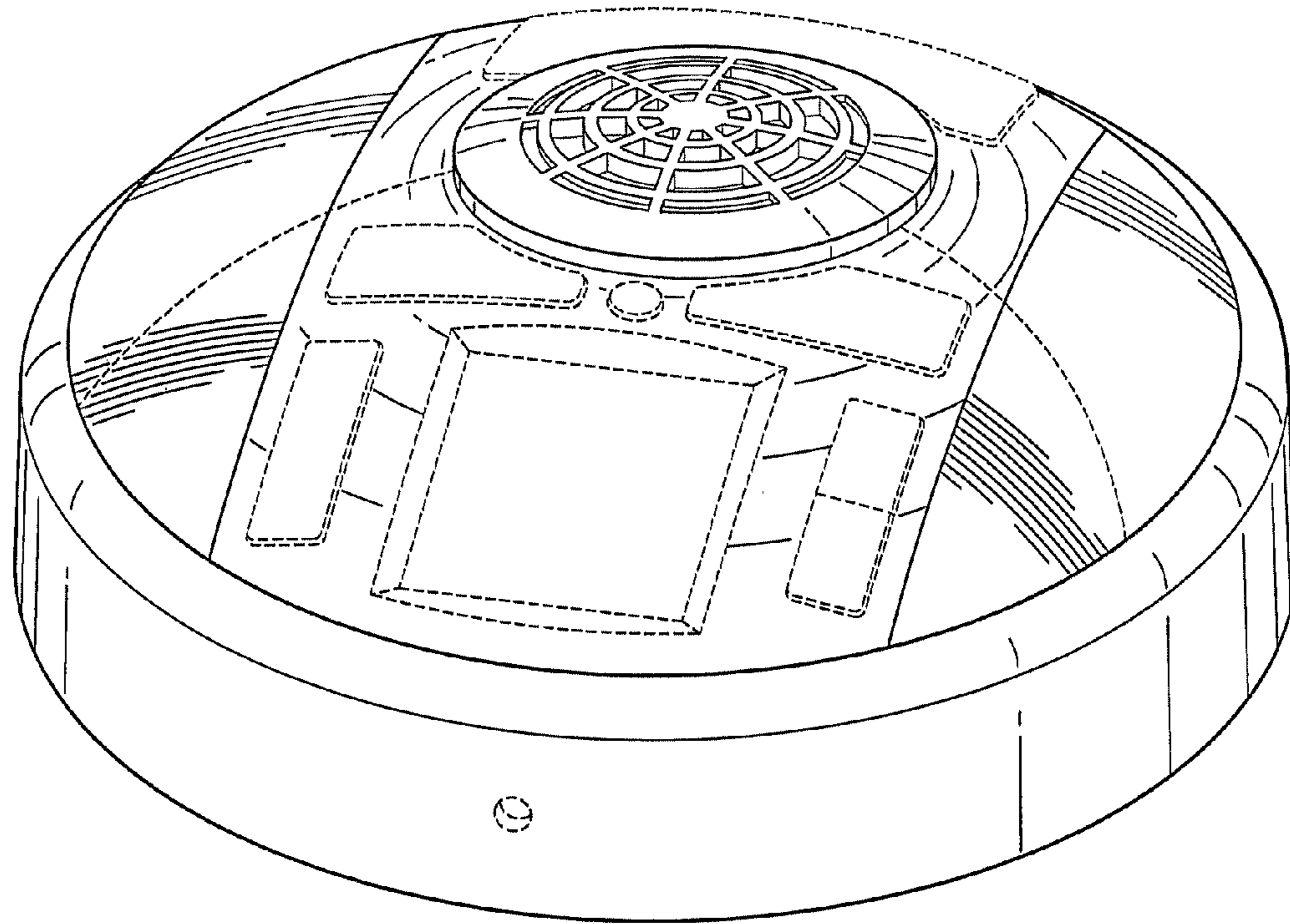


FIG. 1

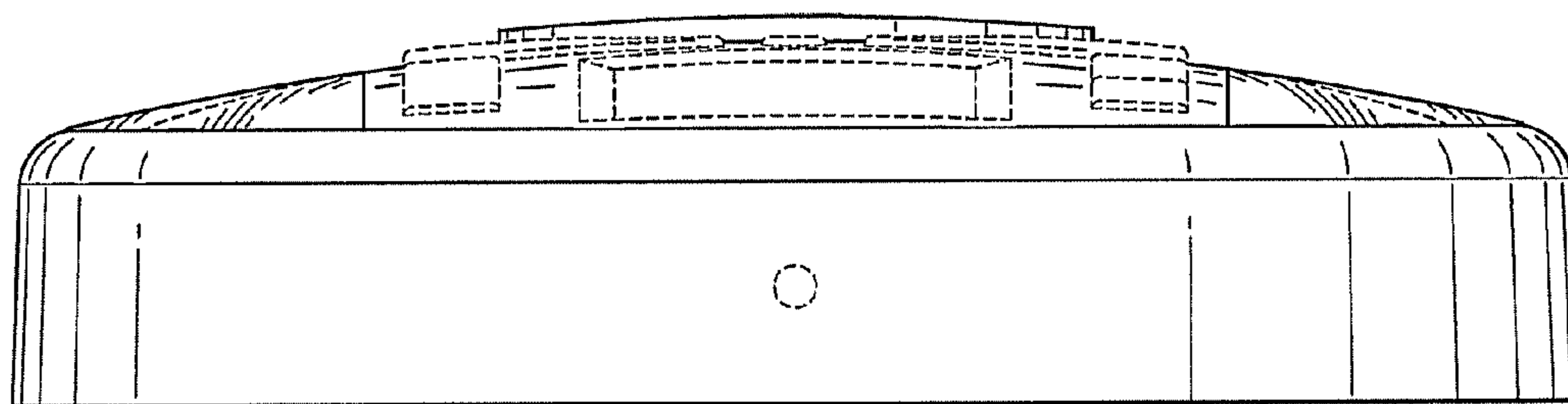


FIG. 2

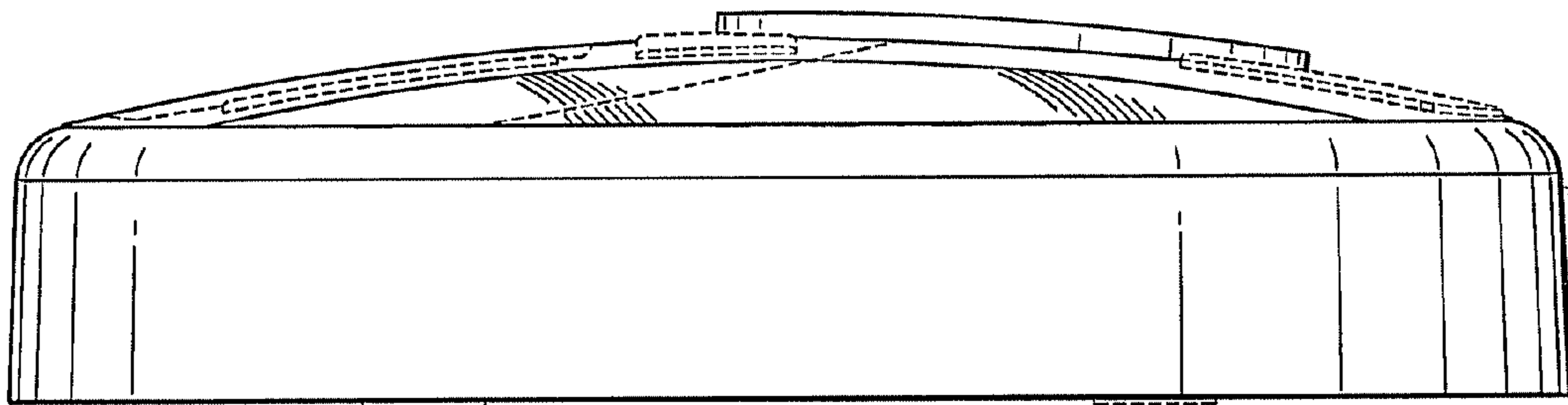


FIG. 3

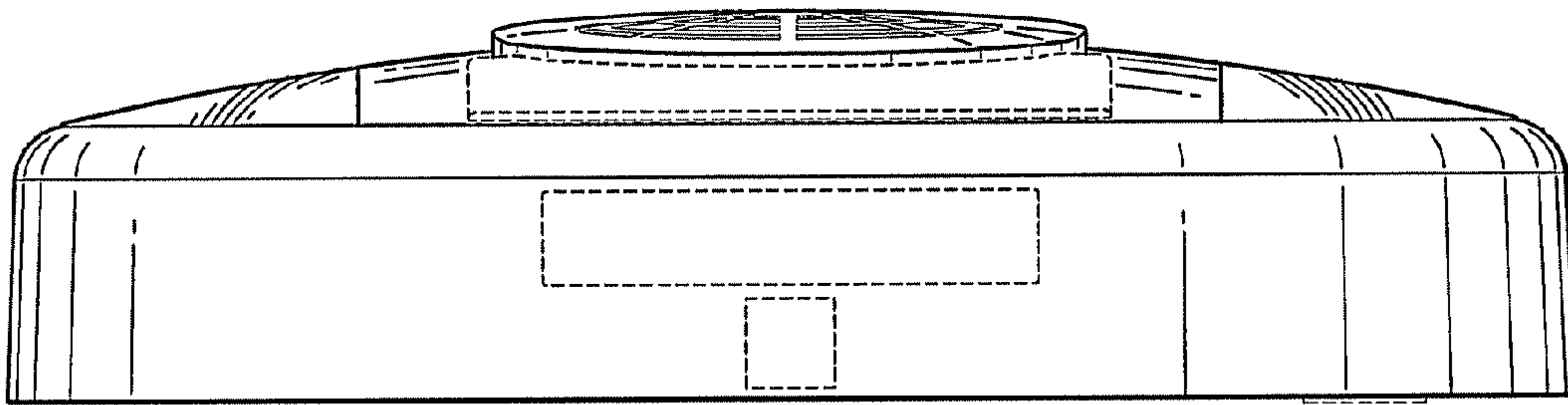


FIG. 4

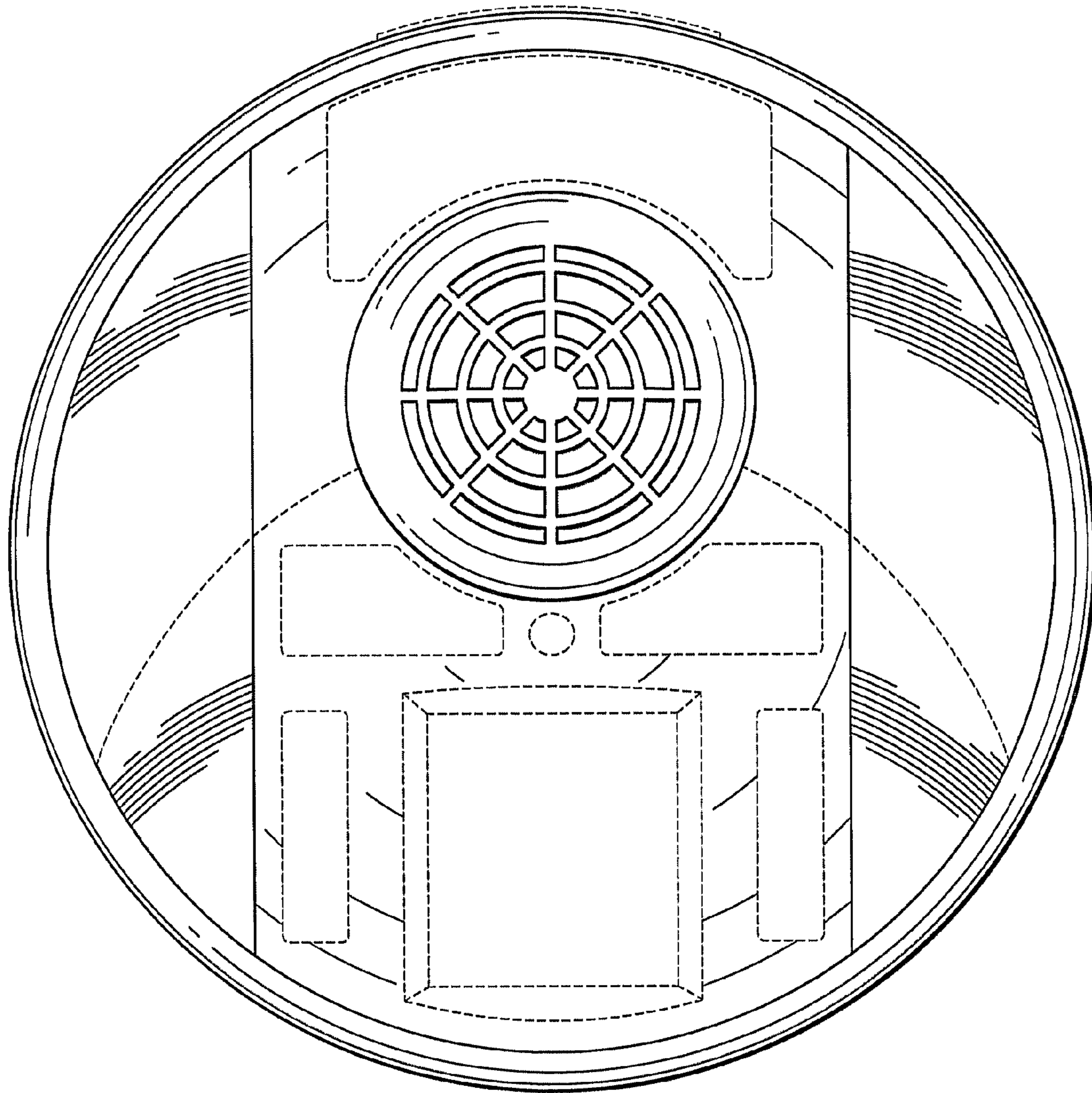


FIG. 5

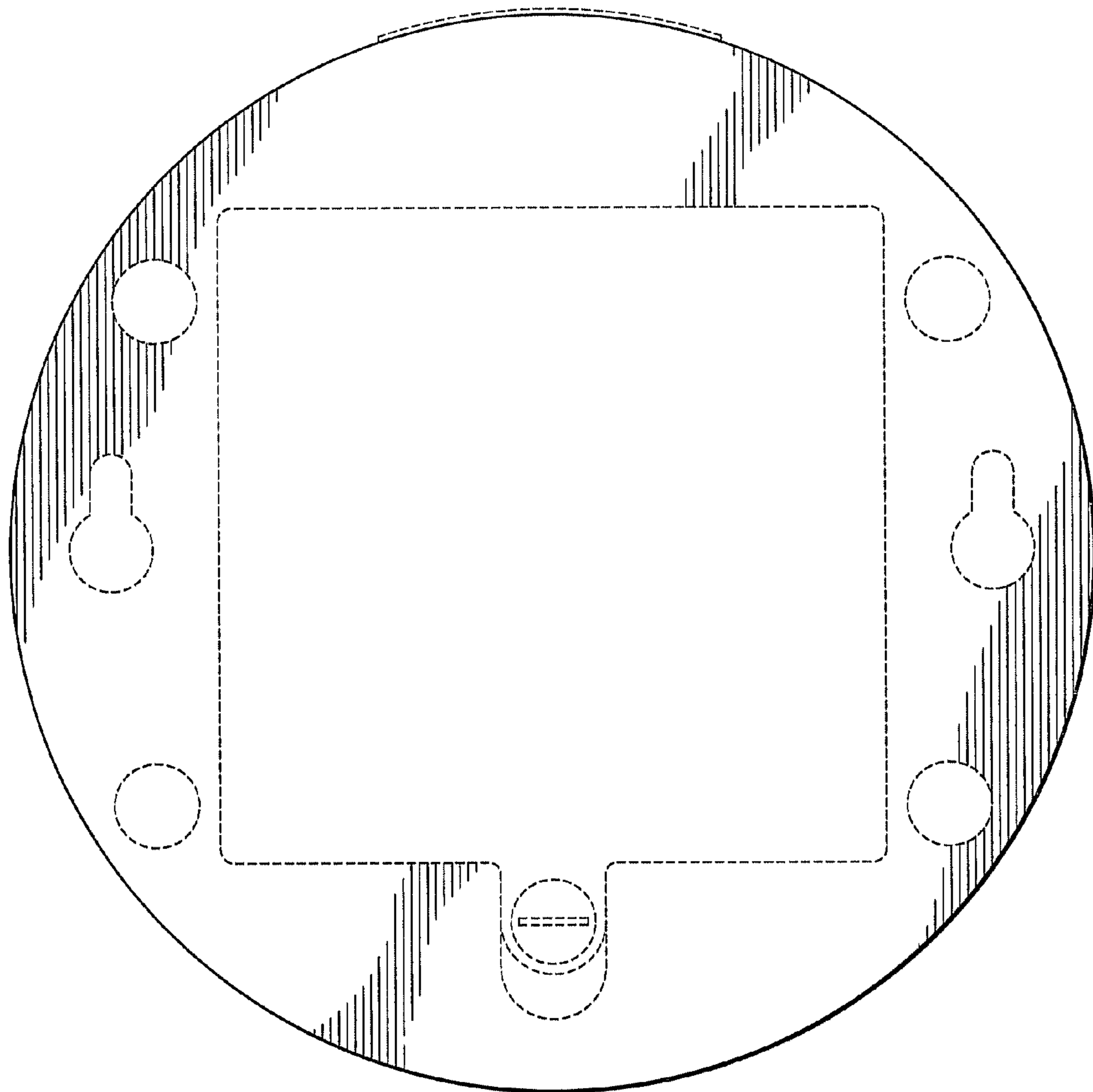


FIG. 6