



US00D692844S

(12) **United States Design Patent**
Seong

(10) **Patent No.:** **US D692,844 S**

(45) **Date of Patent:** **** Nov. 5, 2013**

(54) **TELEVISION RECEIVER**

(71) Applicant: **Samsung Electronics Co., Ltd.**,
Suwon-si (KR)

(72) Inventor: **Bo-Kyung Seong**, Seoul (KR)

(73) Assignee: **Samsung Electronics Co., Ltd.**,
Suwon-si (KR)

(**) Term: **14 Years**

(21) Appl. No.: **29/449,578**

(22) Filed: **Mar. 15, 2013**

(30) **Foreign Application Priority Data**

Oct. 23, 2012 (KR) 30-2012-0050295

(51) **LOC (9) Cl.** **14-03**

(52) **U.S. Cl.**
USPC **D14/126**

(58) **Field of Classification Search**

USPC D14/125-134, 239, 371, 136, 374-377,
D14/440, 450, 448, 336, 342, 159; 312/7.2;
348/836, 838, 180, 184, 325, 739;
341/12; 248/917-924, 465; 345/104,
345/133, 156, 168, 87, 173; 720/605, 669,
720/600, 655; 369/99, 197; D21/329, 515,
D21/577, 622, 333, 433, 448, 452, 450,
D21/331; D6/477, 479, 300; 273/148 B;
446/484, 175, 356; D10/15, 26

See application file for complete search history.

(56) **References Cited**

U.S. PATENT DOCUMENTS

D536,677 S * 2/2007 Kim et al. D14/126
D539,242 S * 3/2007 Lee et al. D14/126
D597,041 S * 7/2009 Cho et al. D14/126
D667,806 S * 9/2012 Asanuma et al. D14/129
D669,047 S * 10/2012 Asanuma et al. D14/126

* cited by examiner

Primary Examiner — Raphael Barkai

(74) *Attorney, Agent, or Firm* — NSIP Law

(57) **CLAIM**

The ornamental design for a television receiver, as shown and described.

DESCRIPTION

FIG. 1 is a front perspective view of a television receiver; FIG. 2 is a front view of the television receiver of FIG. 1; FIG. 3 is a rear view of the television receiver of FIG. 1; FIG. 4 is a left-side view of the television receiver of FIG. 1; FIG. 5 is a right-side view of the television receiver of FIG. 1; FIG. 6 is a top plan view of the television receiver of FIG. 1; FIG. 7 is a bottom plan view of the television receiver of FIG. 1; and, FIG. 8 is a rear perspective view of the television receiver of FIG. 1.

1 Claim, 6 Drawing Sheets

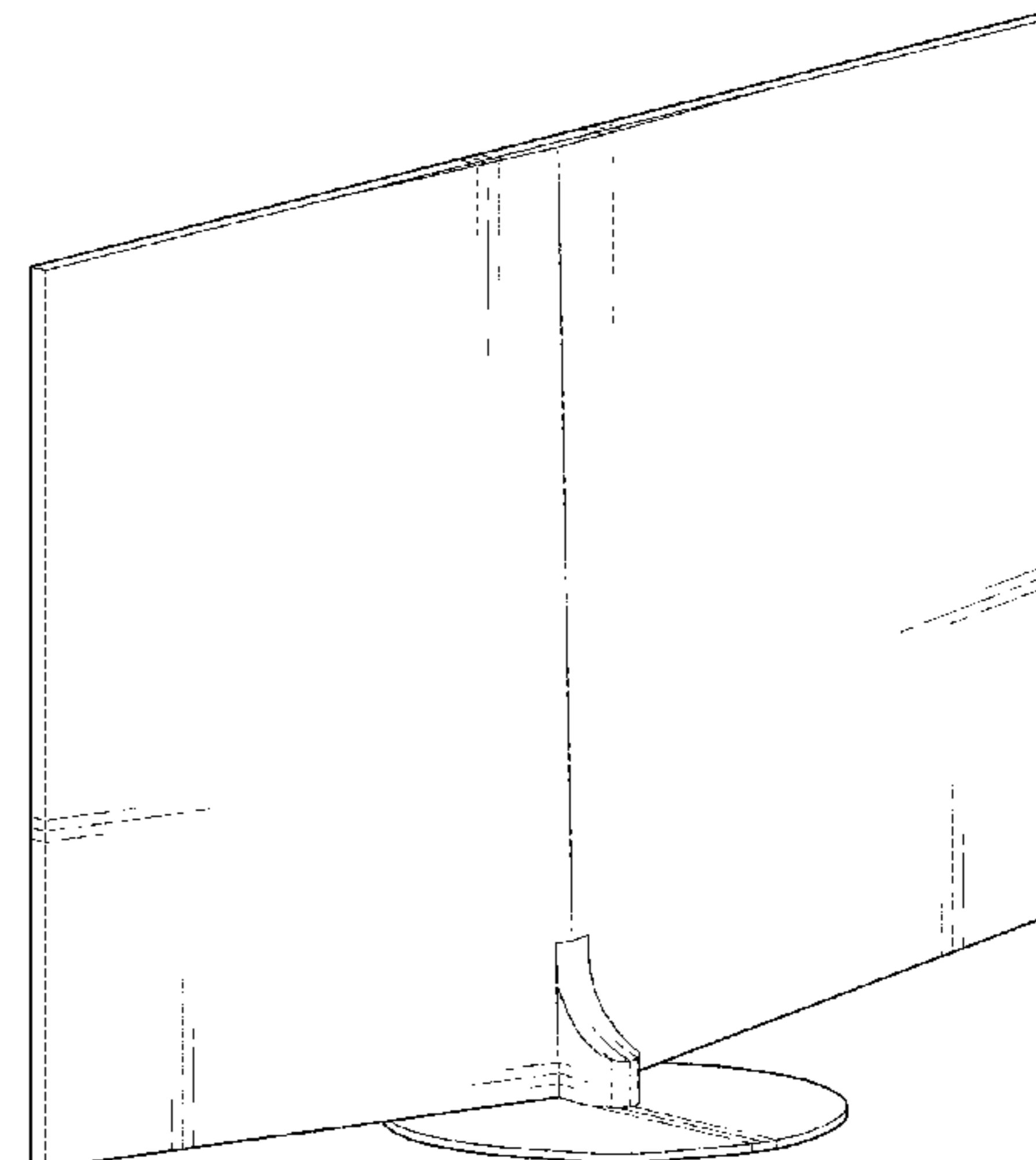
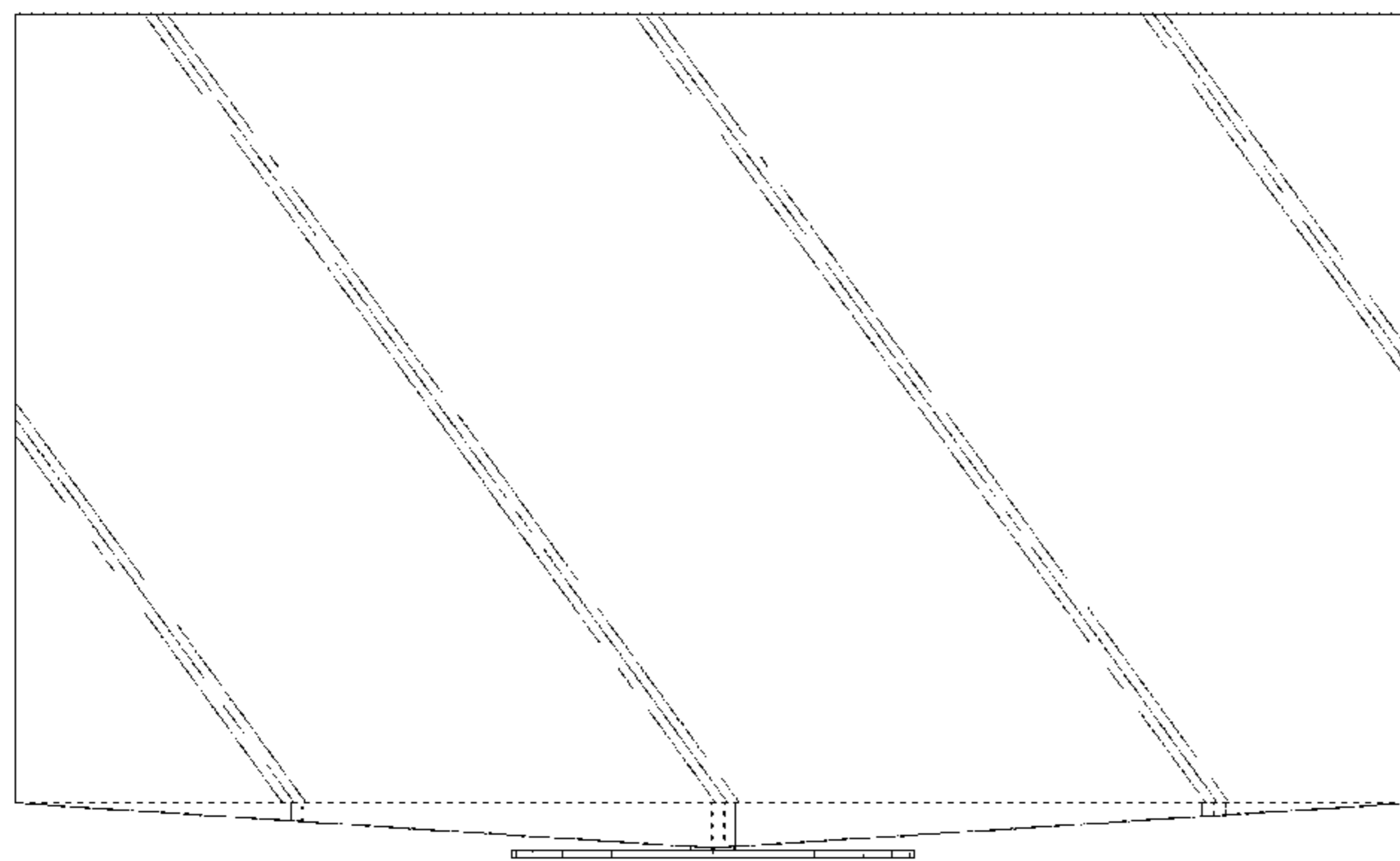


FIG. 1

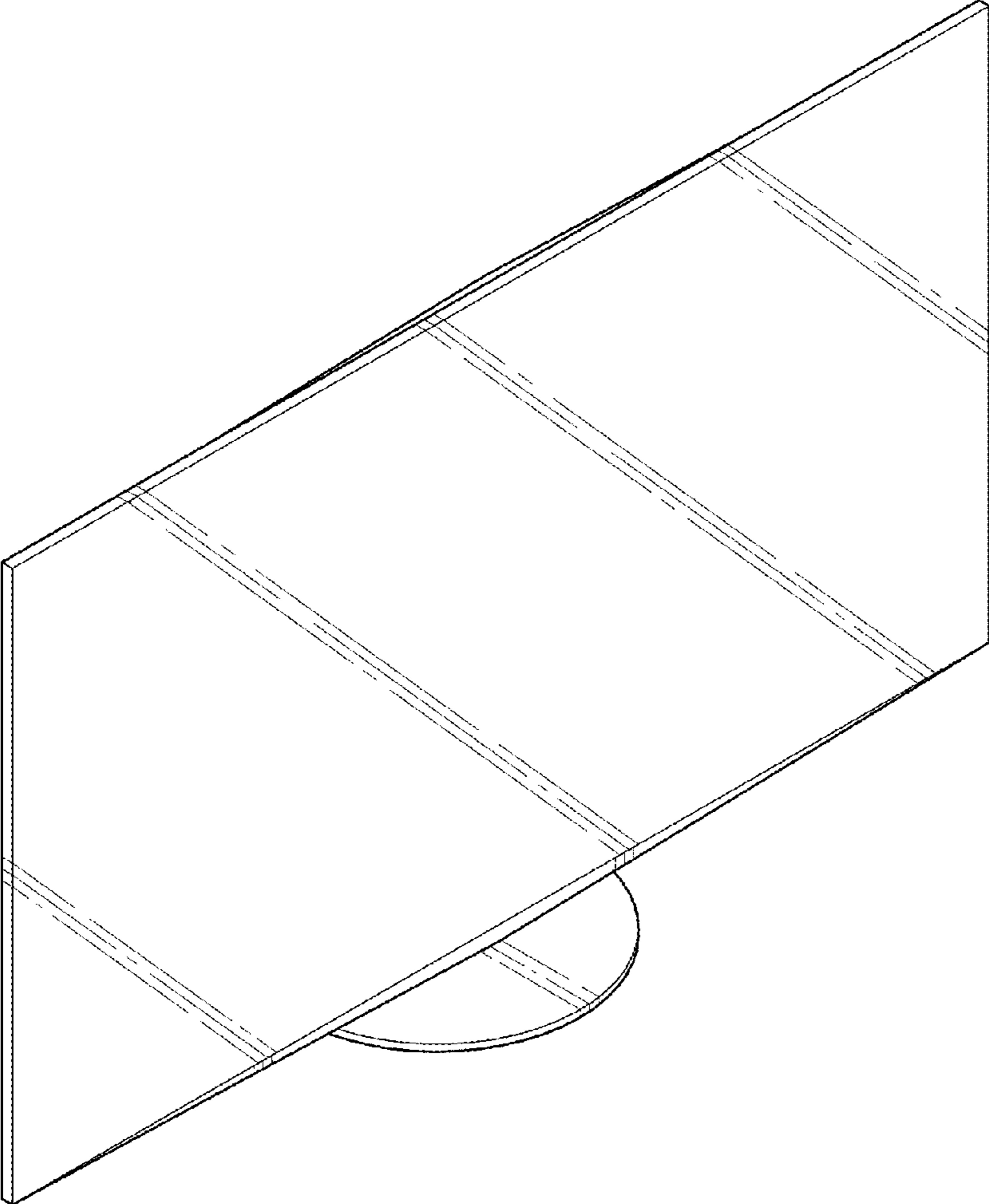


FIG. 2

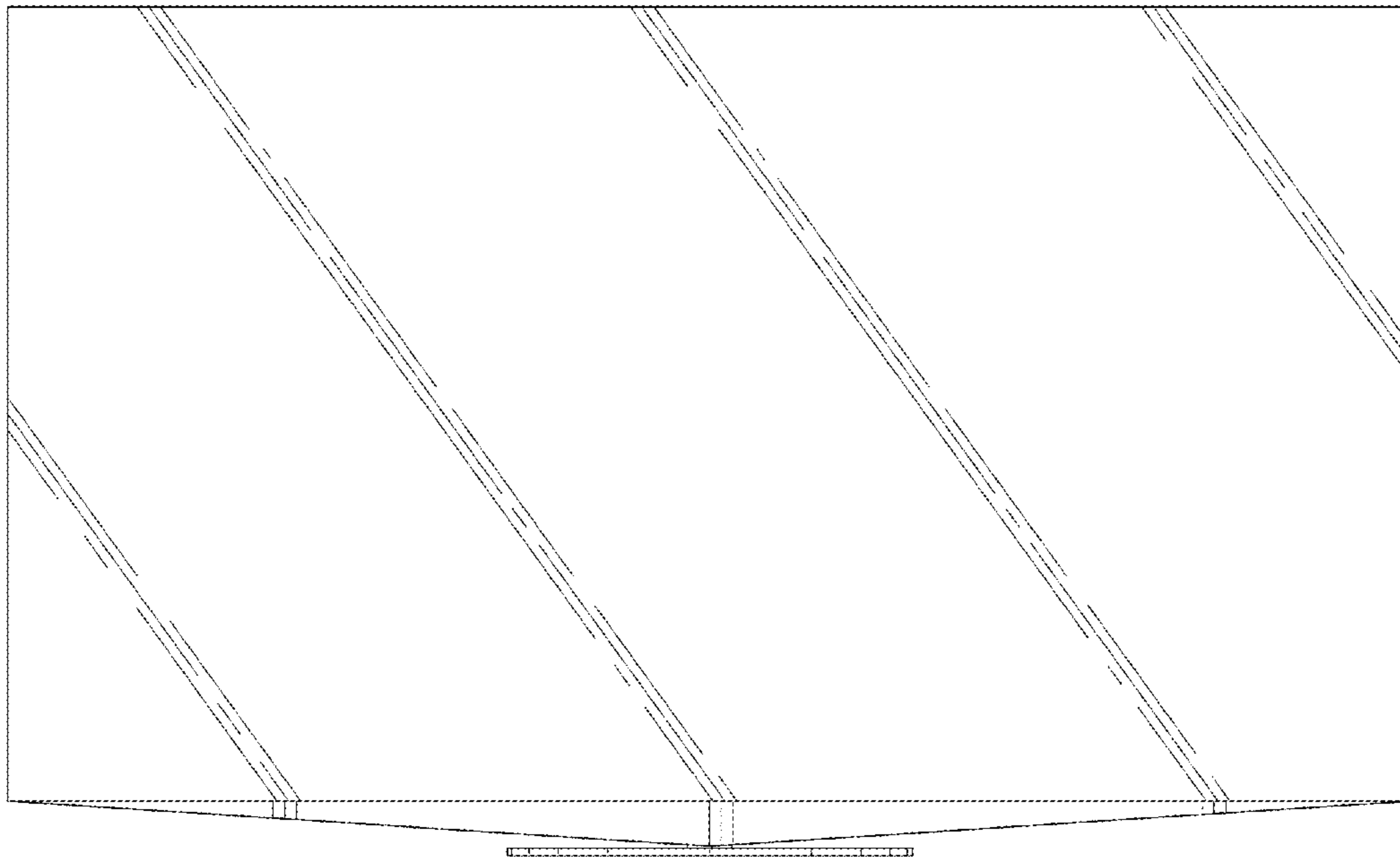


FIG. 3

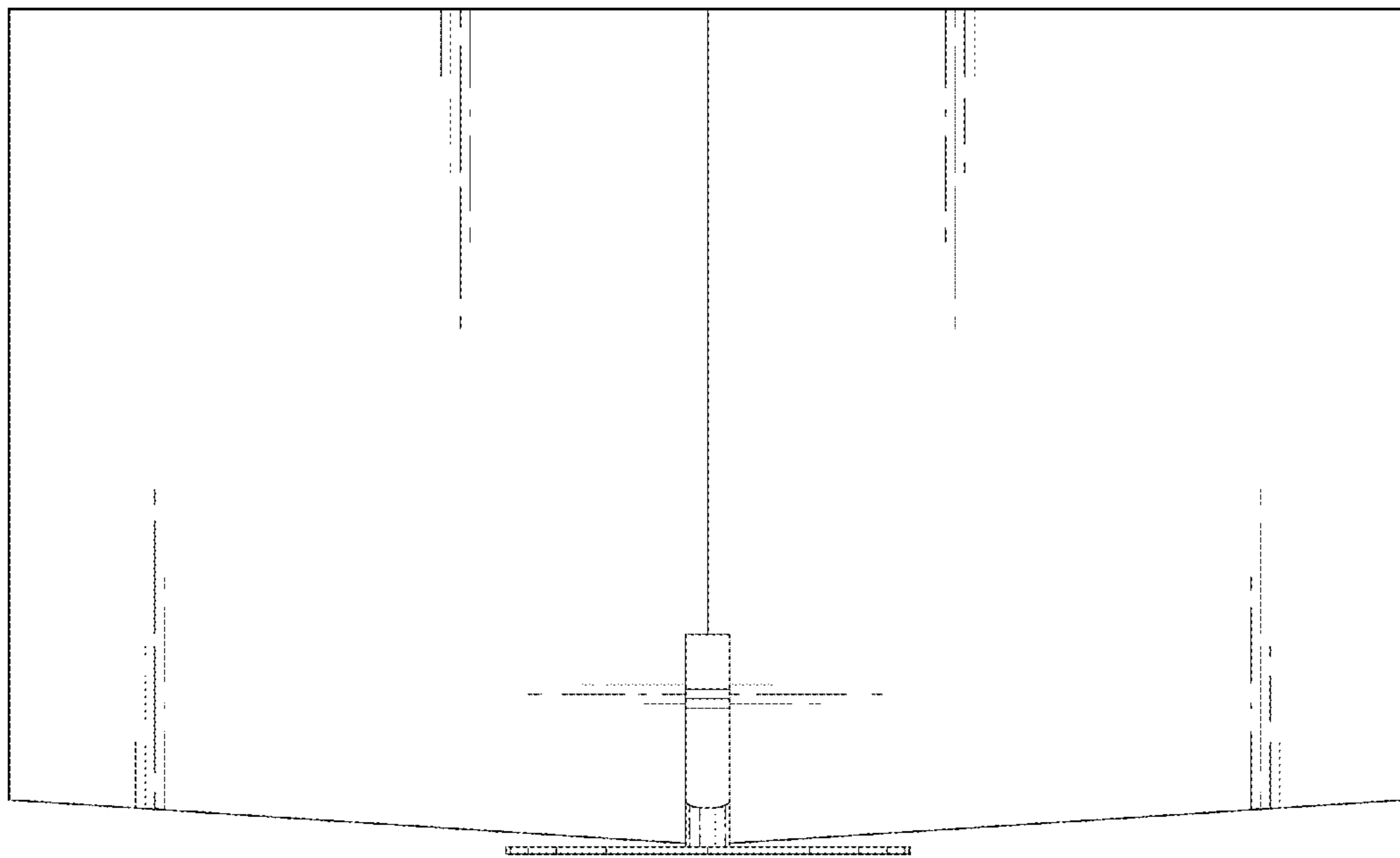


FIG. 4

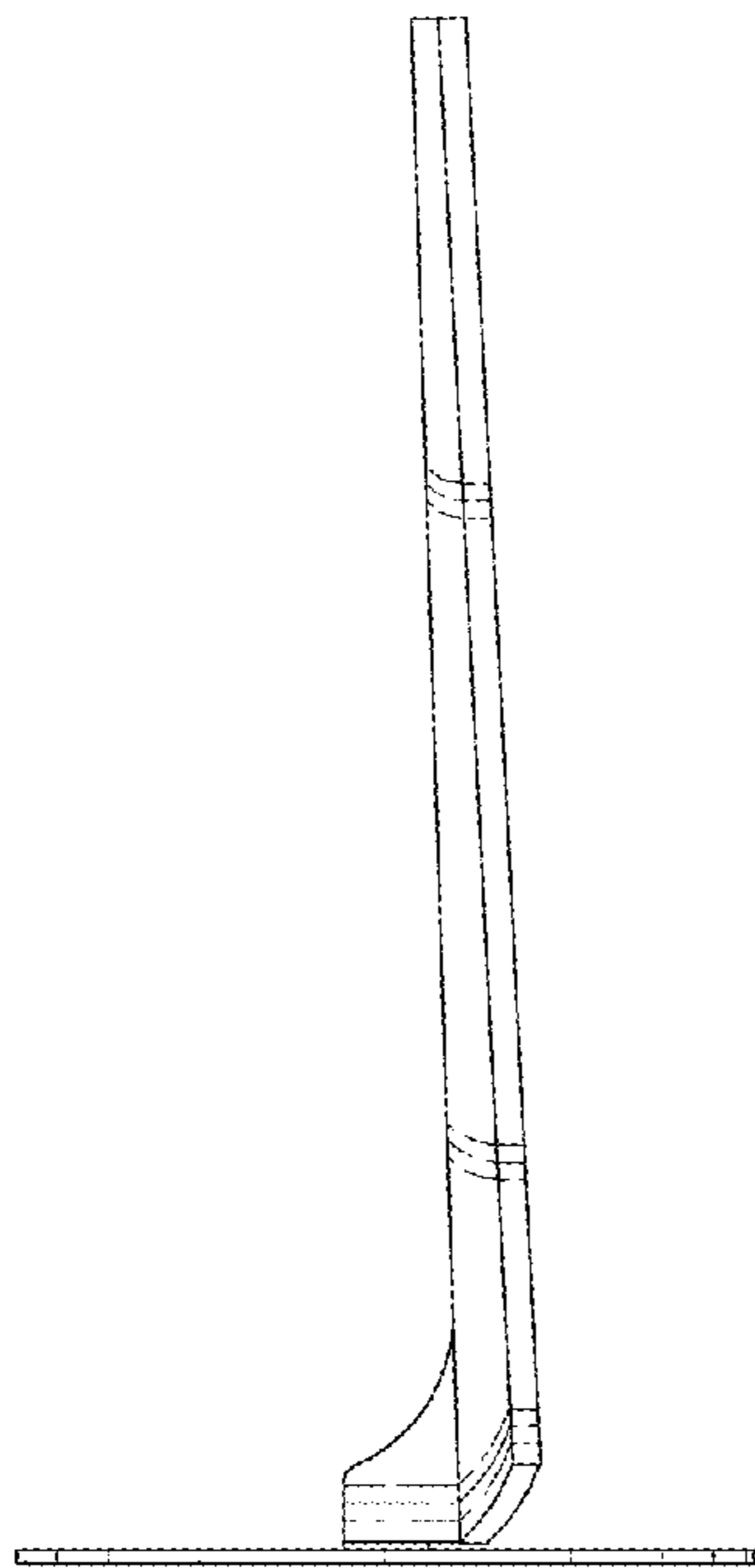


FIG. 5

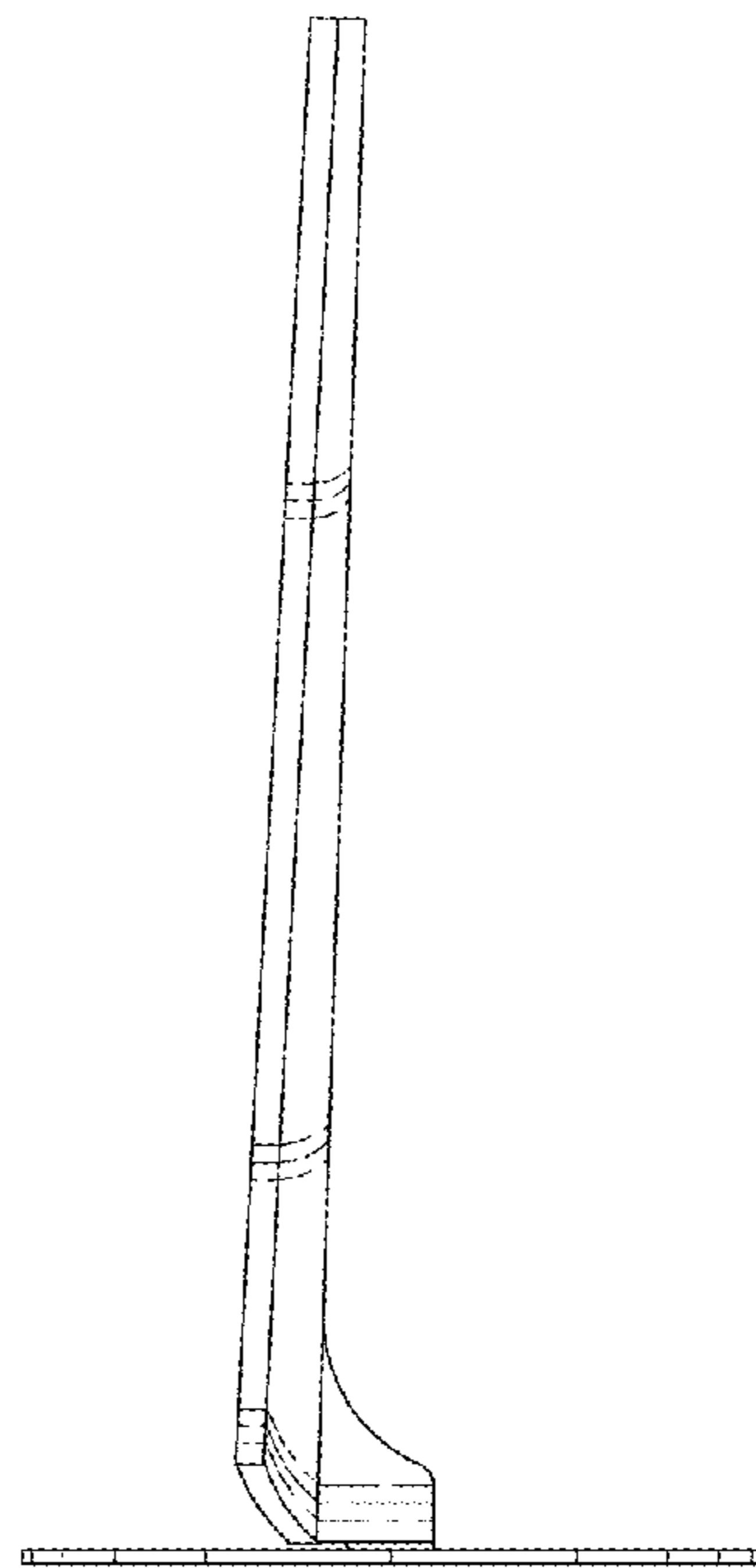


FIG. 6

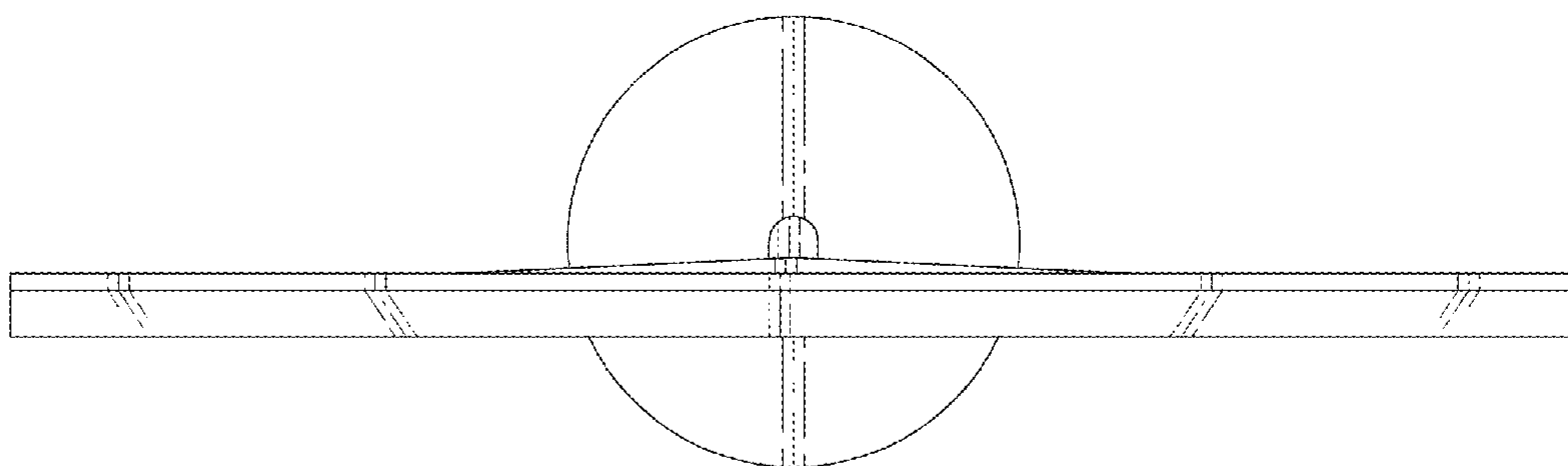


FIG. 7

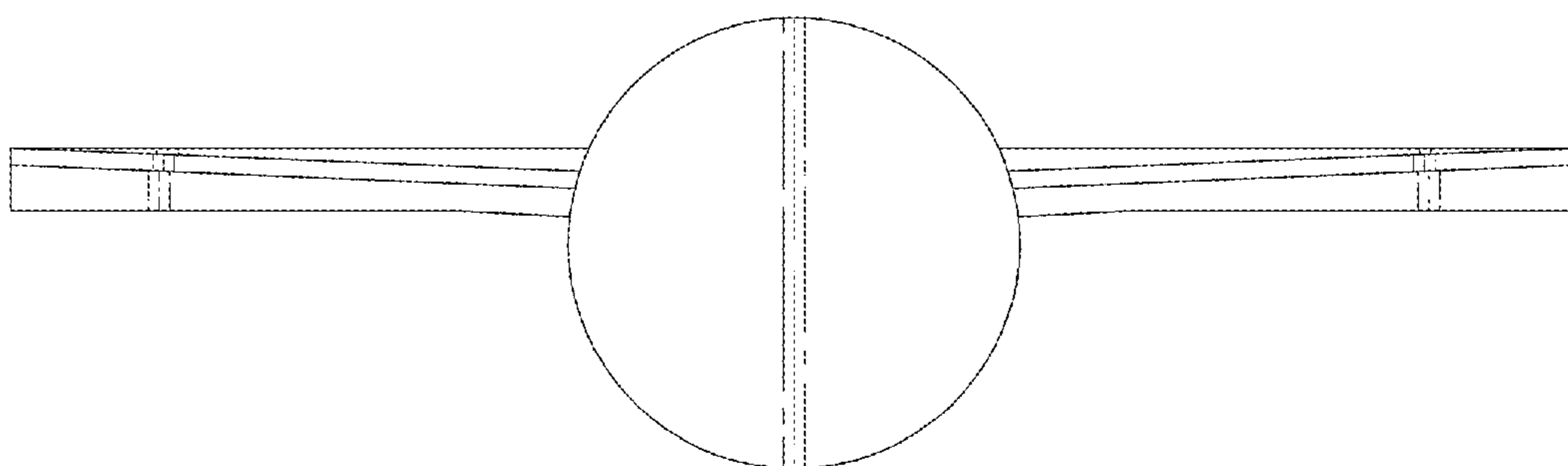


FIG. 8

