

US00D692842S

(12) **United States Design Patent**
Mullert

(10) **Patent No.:** **US D692,842 S**

(45) **Date of Patent:** **** Nov. 5, 2013**

(54) **HEAT SINK**

(71) Applicant: **Acacia Communications Inc.**, Maynard, MA (US)

(72) Inventor: **David Mullert**, Rehoboth, MA (US)

(73) Assignee: **Acacia Communications Inc.**, Maynard, MA (US)

(**) Term: **14 Years**

(21) Appl. No.: **29/441,982**

(22) Filed: **Jan. 11, 2013**

(51) **LOC (9) Cl.** **13-03**

(52) **U.S. Cl.**
USPC **D13/179**

(58) **Field of Classification Search**
USPC D13/179; 165/80.3, 104.33, 165/122, 151, 185; 257/706, 707, 718-722; 361/695, 697, 700, 702, 704, 709, 710, 361/711, 719

See application file for complete search history.

(56) **References Cited**

U.S. PATENT DOCUMENTS

5,949,648	A *	9/1999	Liao	361/700
6,724,624	B1 *	4/2004	Dodson	361/695
7,447,029	B2 *	11/2008	Lai et al.	361/700
D586,763	S *	2/2009	Hua et al.	D13/179
7,495,915	B2 *	2/2009	Chen et al.	361/700
7,679,912	B1 *	3/2010	Xiong et al.	361/700

8,243,451	B2 *	8/2012	Dede et al.	361/702
8,411,431	B2 *	4/2013	Qiu et al.	361/679.49
2006/0005950	A1 *	1/2006	Wang et al.	165/104.26
2008/0164010	A1 *	7/2008	Kang et al.	165/104.26
2009/0194252	A1 *	8/2009	Lee et al.	165/67
2011/0096497	A1 *	4/2011	Huang	361/692
2011/0100607	A1 *	5/2011	Li et al.	165/104.26

* cited by examiner

Primary Examiner — Selina Sikder

(74) *Attorney, Agent, or Firm* — Brosemer, Kolefas & Assoc.

(57) **CLAIM**

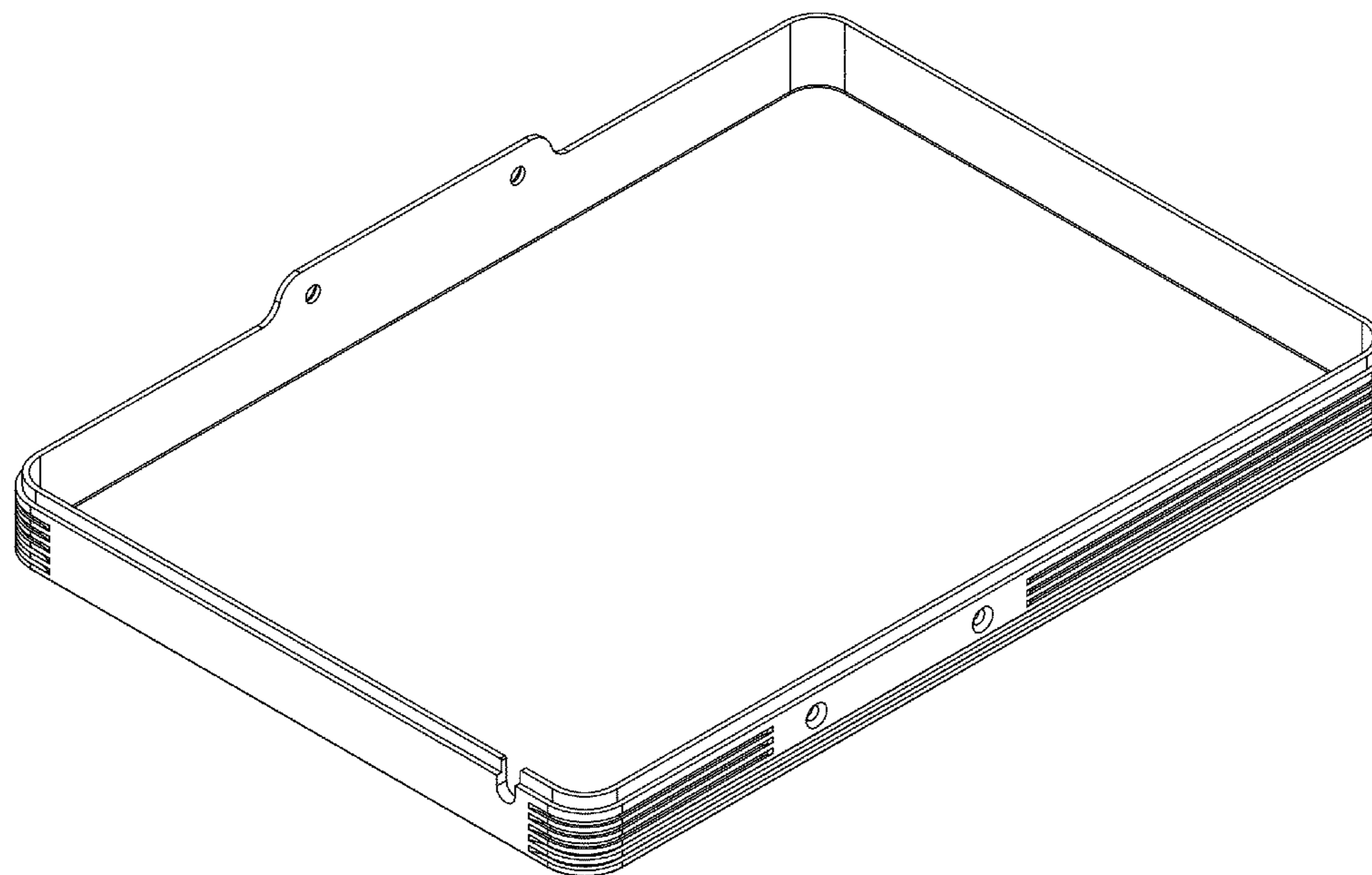
The ornamental design for a heat sink, as shown and described.

DESCRIPTION

FIG. 1 is a perspective view of a heat sink showing my new design;
FIG. 2 is a front view thereof;
FIG. 3 is a back view thereof;
FIG. 4 is a right side view thereof;
FIG. 5 is a left side view thereof;
FIG. 6 is a top view thereof;
FIG. 7 is a bottom view thereof;
FIG. 8 is a top view depicting a reference line "A"; and,
FIG. 9 is a sectional view along reference line A.

Any shading shown represents a contrast in appearance for illustrative purposes and forms no part of the claimed design and does not depict any specific color, material, or texture.

1 Claim, 8 Drawing Sheets



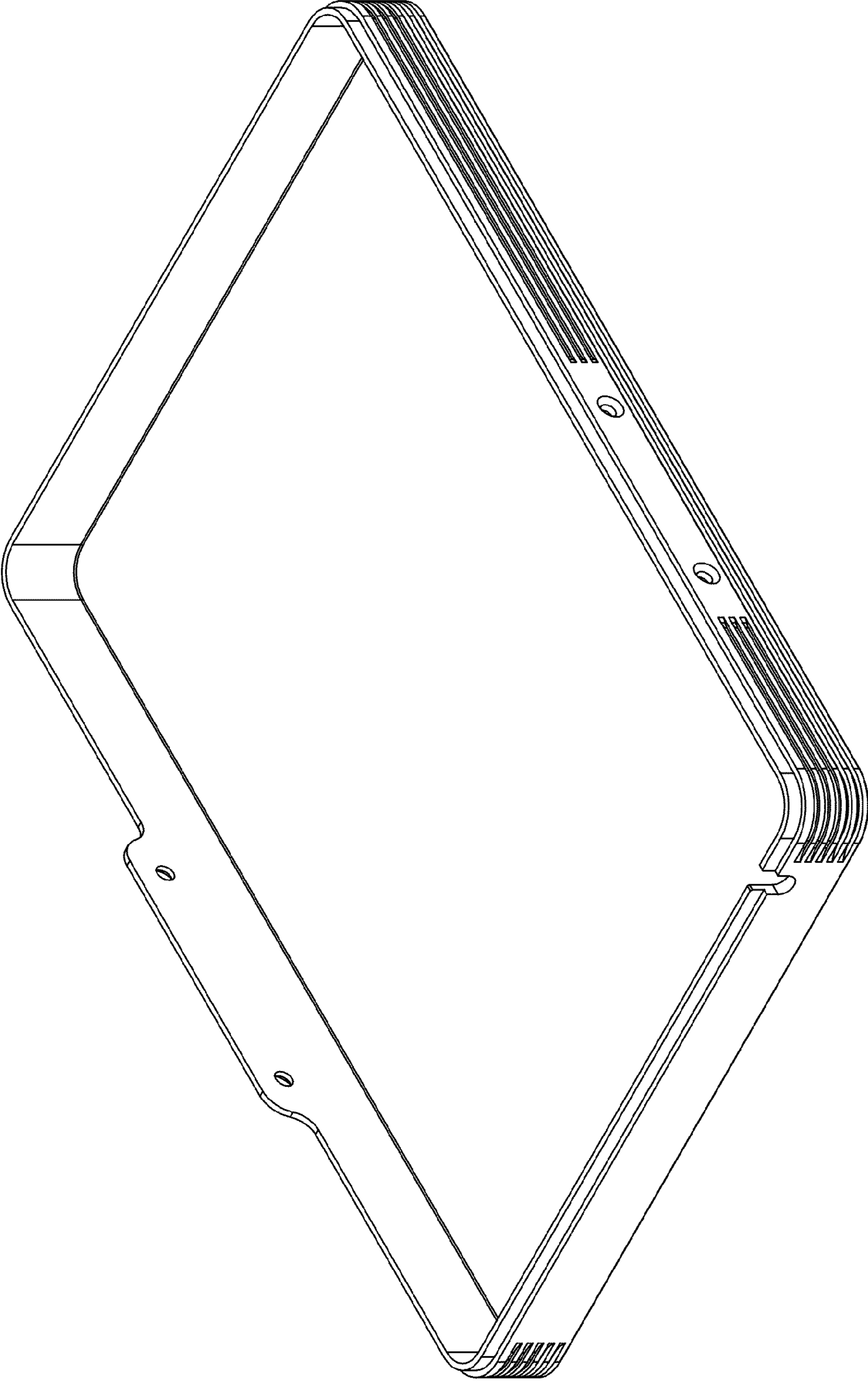


FIGURE 1

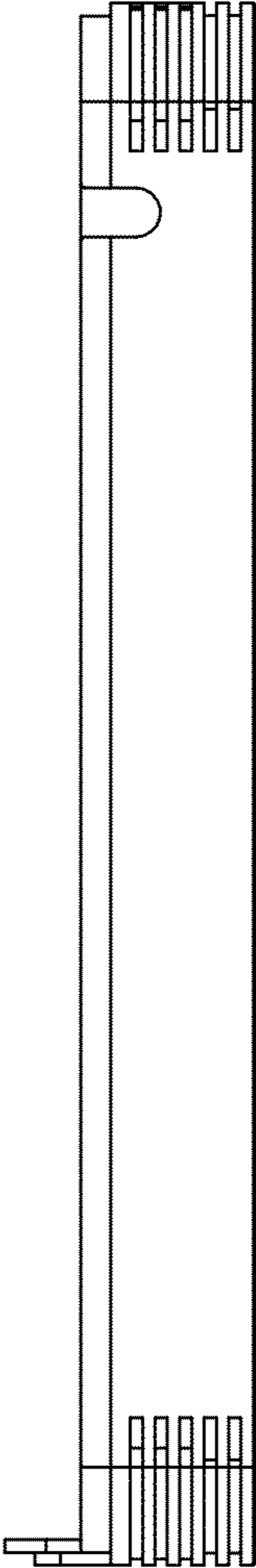


FIGURE 2

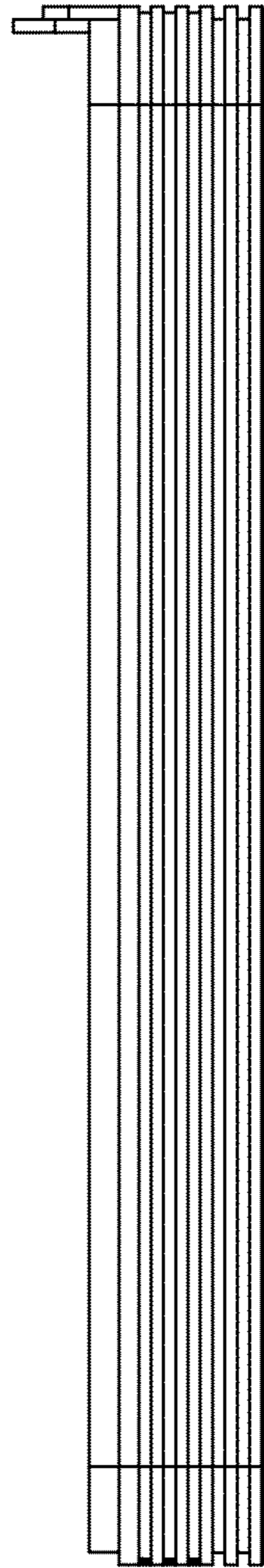


FIGURE 3

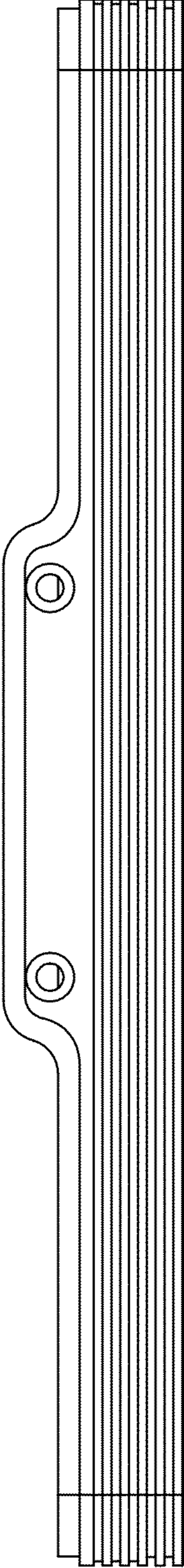


FIGURE 4

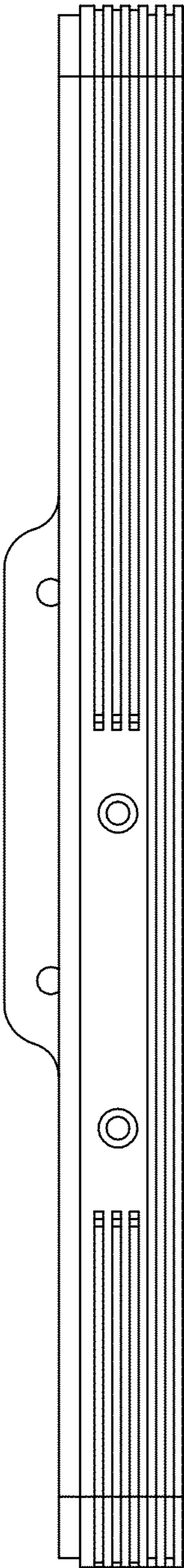


FIGURE 5

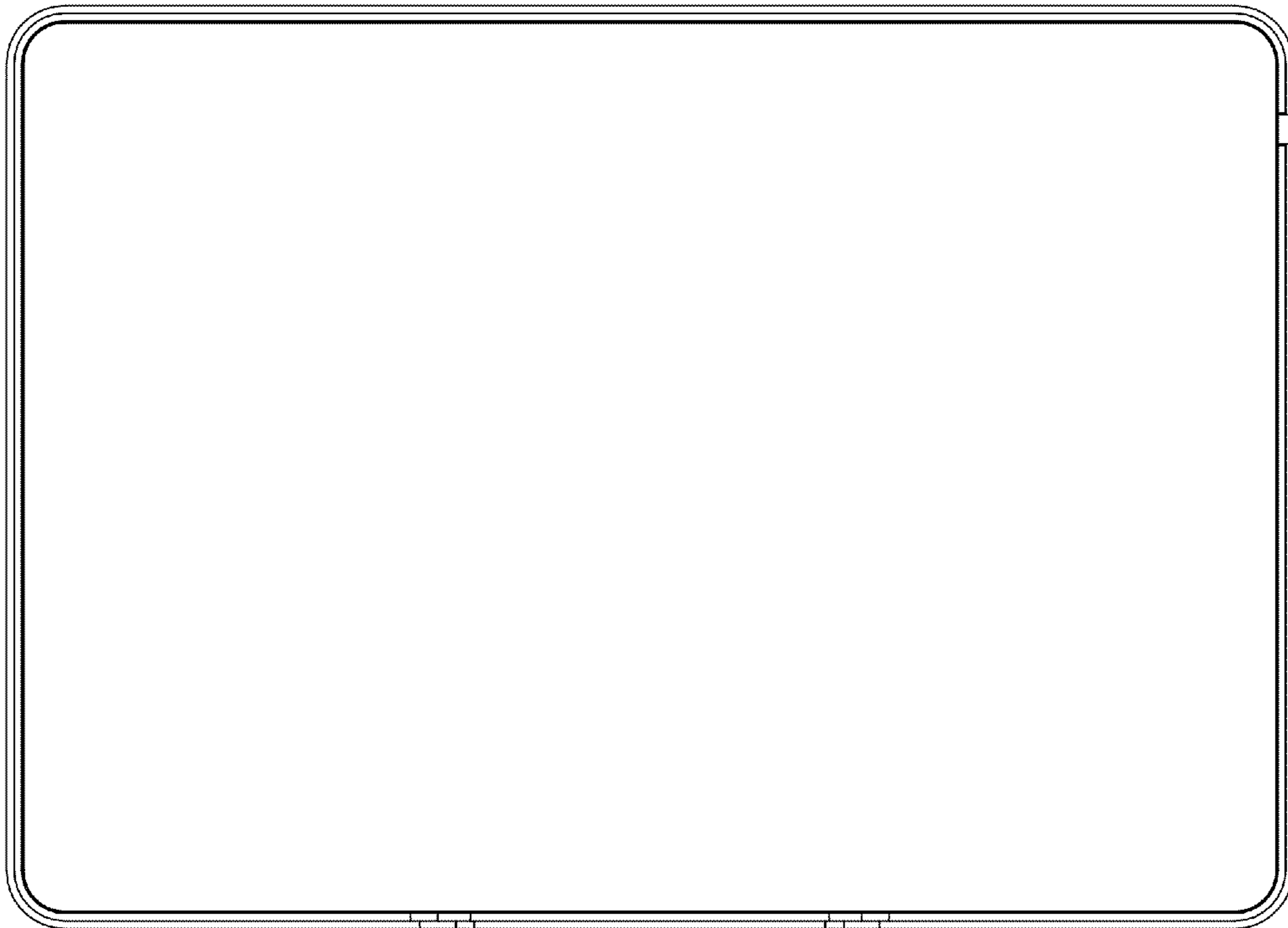


FIGURE 6



FIGURE 7

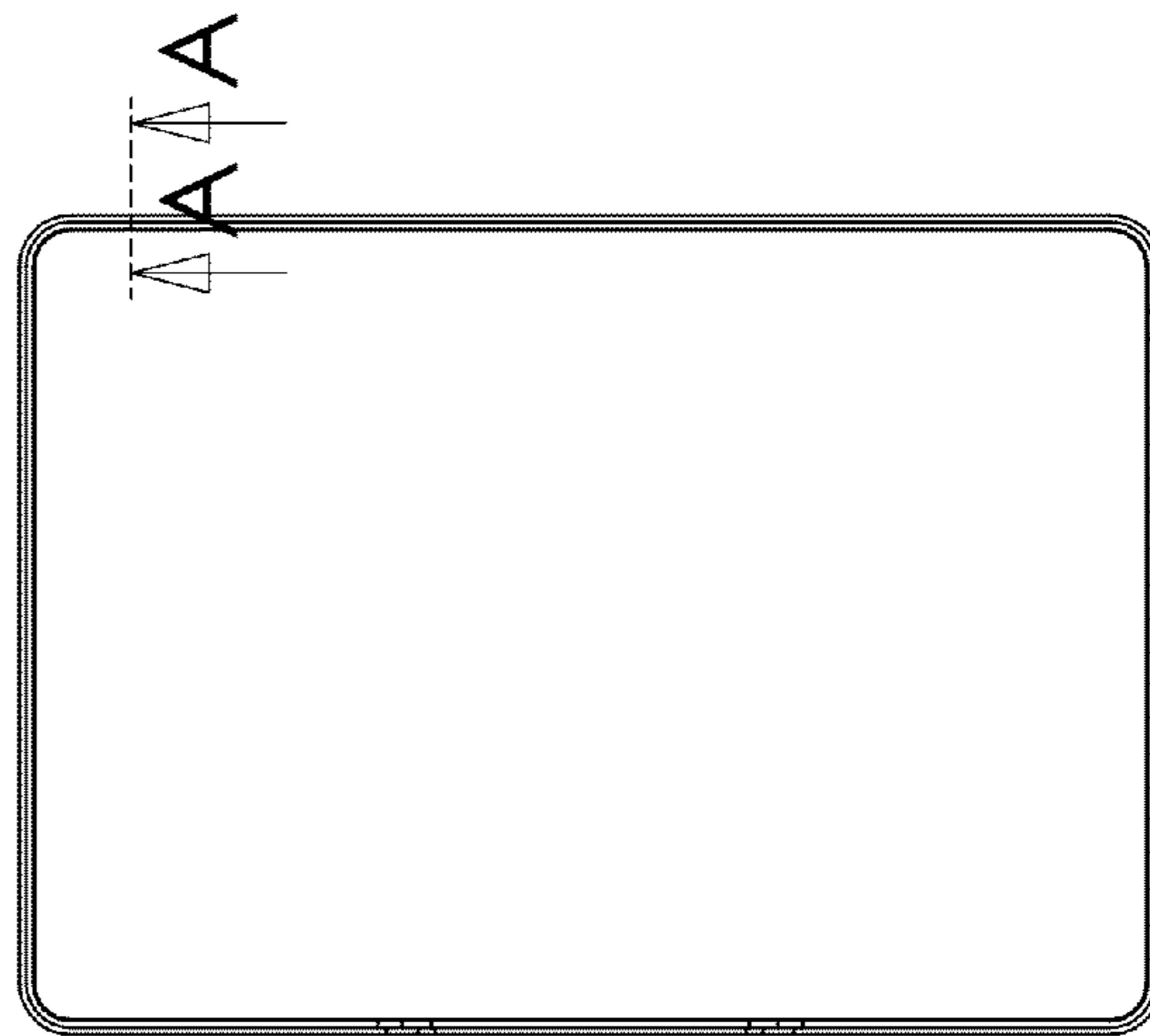
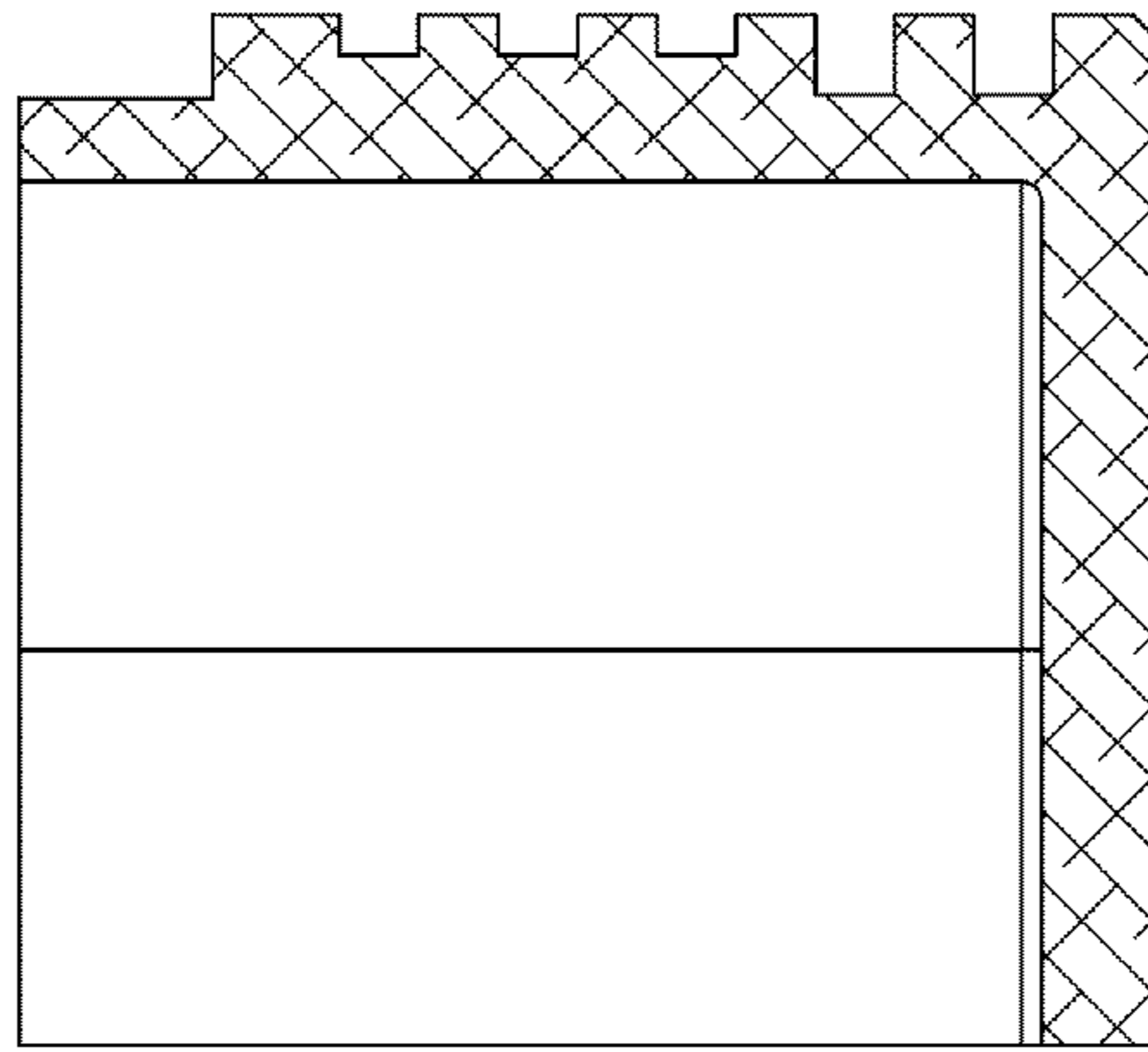


FIGURE 8



SECTION A-A
SCALE 5:1
FIGURE 9