



US00D692839S

(12) **United States Design Patent**
Shang

(10) **Patent No.:** **US D692,839 S**

(45) **Date of Patent:** **** Nov. 5, 2013**

(54) **OUTDOOR POLE PART**

(75) Inventor: **Wenkai Shang**, Ratingen (DE)

(73) Assignee: **ABB Technology AG**, Zurich (CH)

(**) Term: **14 Years**

(21) Appl. No.: **29/408,204**

(22) Filed: **Dec. 8, 2011**

(30) **Foreign Application Priority Data**

Jun. 9, 2011 (EM) 001875584-0001

(51) **LOC (9) Cl.** **13-03**

(52) **U.S. Cl.**
USPC **D13/158**

(58) **Field of Classification Search**
USPC D13/120, 158, 160, 184, 199; 218/118,
218/119, 7, 77, 78, 79, 2, 102; 251/172;
361/605, 612

See application file for complete search history.

(56) **References Cited**

U.S. PATENT DOCUMENTS

D554,592 S * 11/2007 Mildes et al. D13/158
D558,147 S * 12/2007 Ruemenapp D13/158
D583,332 S * 12/2008 Shang D13/158
D658,589 S * 5/2012 Shang et al. D13/158

* cited by examiner

Primary Examiner — Thomas Johannes

(74) *Attorney, Agent, or Firm* — Buchanan Ingersoll & Rooney PC

(57) **CLAIM**

The ornamental design for an outdoor pole part, as shown and described.

DESCRIPTION

FIG. 1 is a perspective view of an outdoor pole part showing my new design.

FIG. 2 is a right side elevational view thereof.

FIG. 3 is a left side elevational view thereof.

FIG. 4 is a front elevational view thereof.

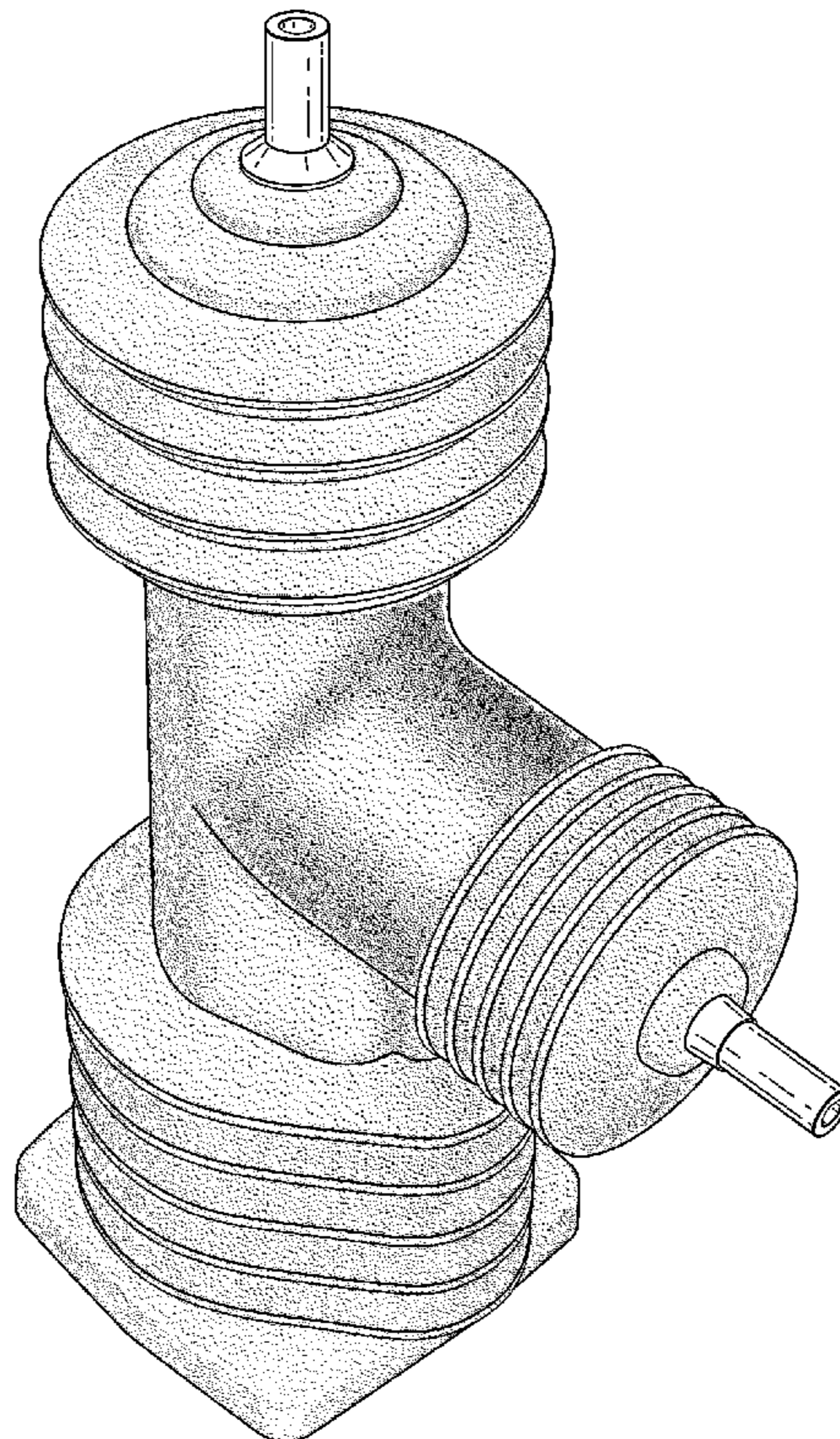
FIG. 5 is a rear elevational view thereof.

FIG. 6 is a top plan view thereof; and,

FIG. 7 is a bottom plan view thereof.

The broken line portion of the figure drawings is included to show unclaimed subject matter only and forms no part of the claimed design.

1 Claim, 7 Drawing Sheets



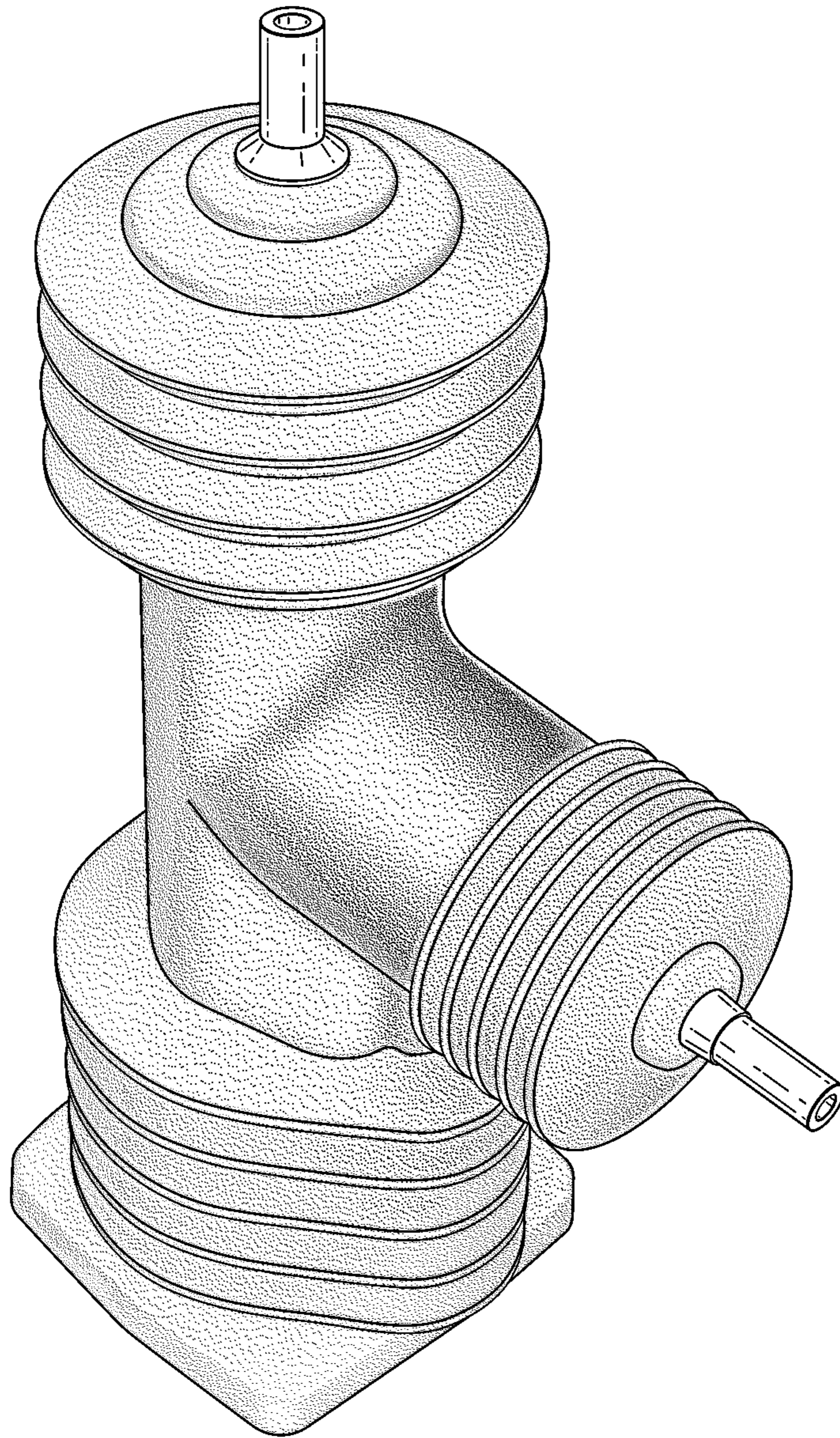


FIG. 1

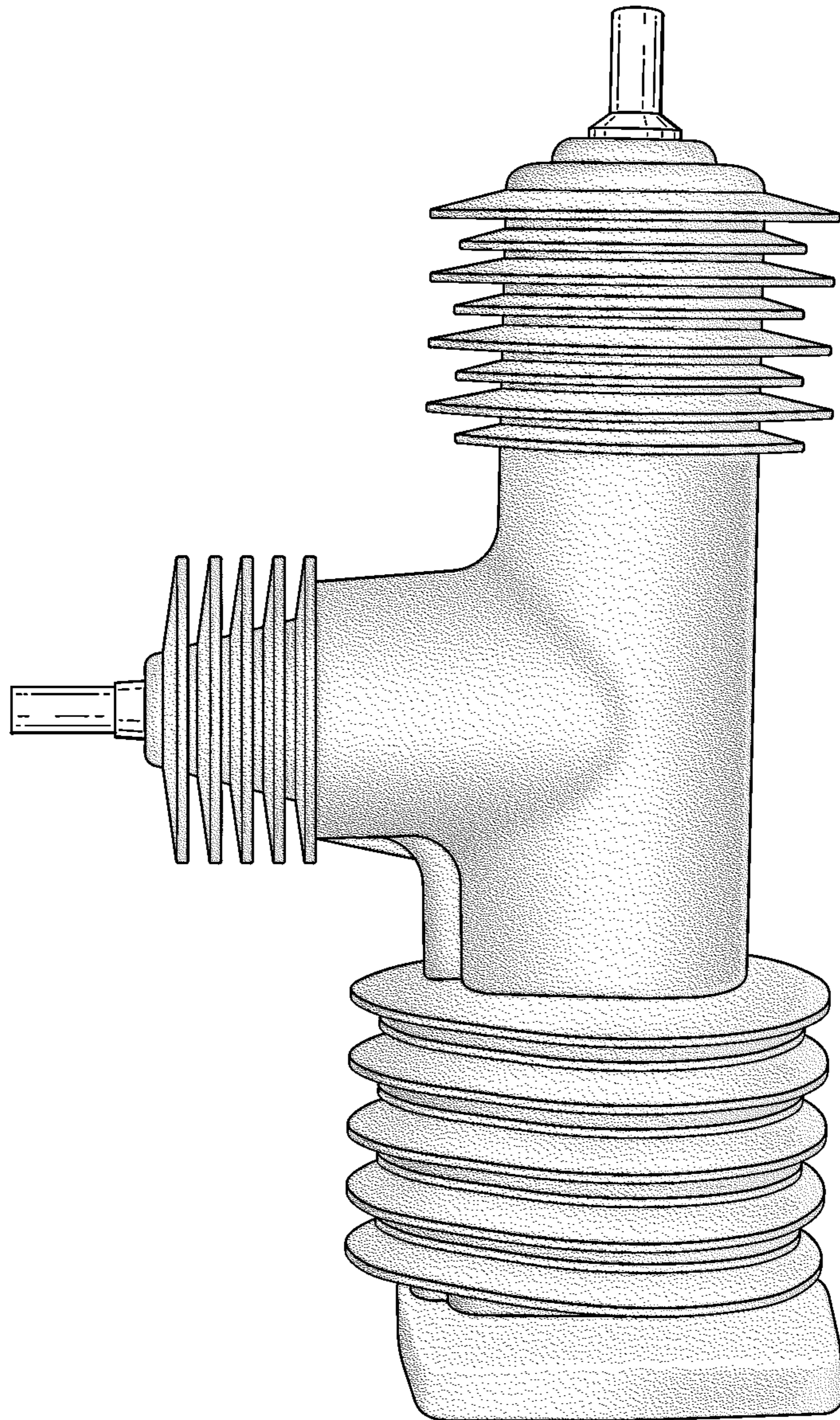


FIG. 2

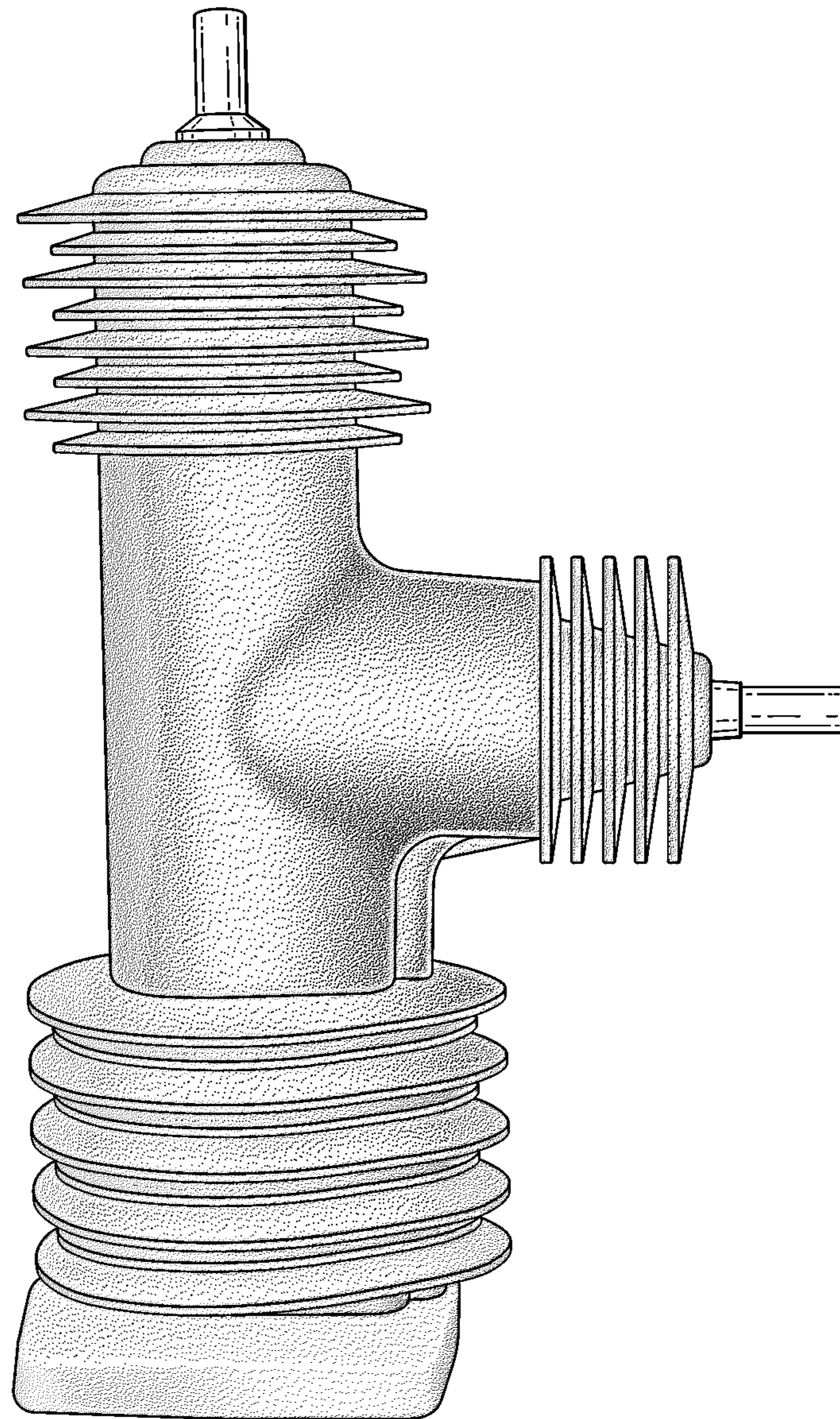


FIG. 3

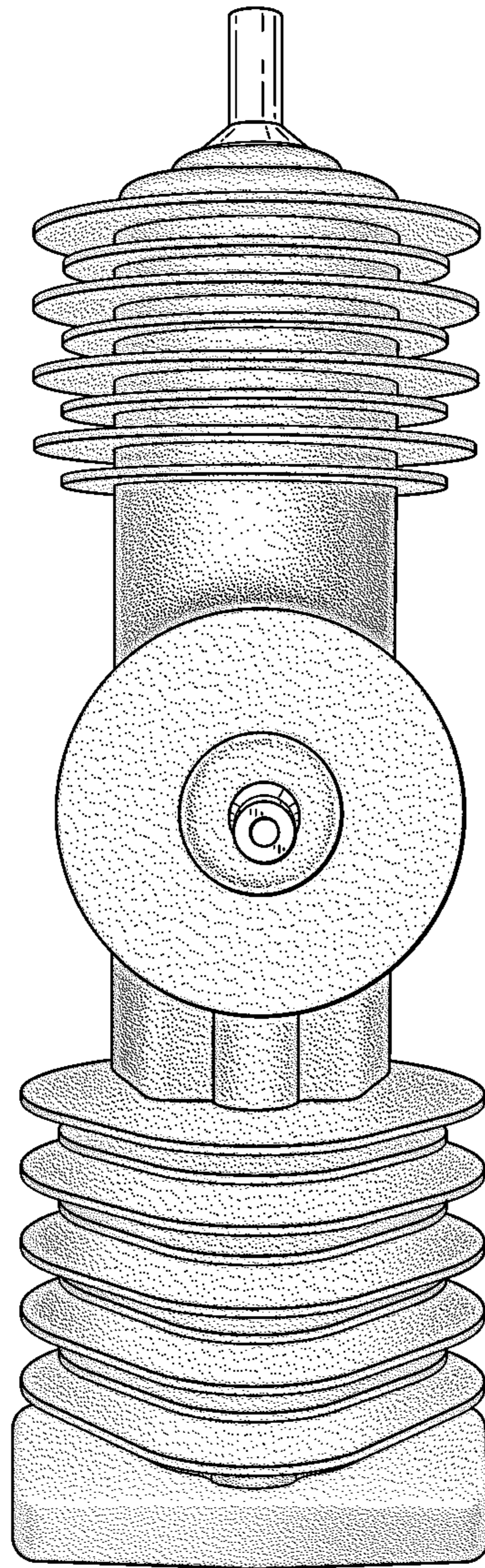


FIG. 4

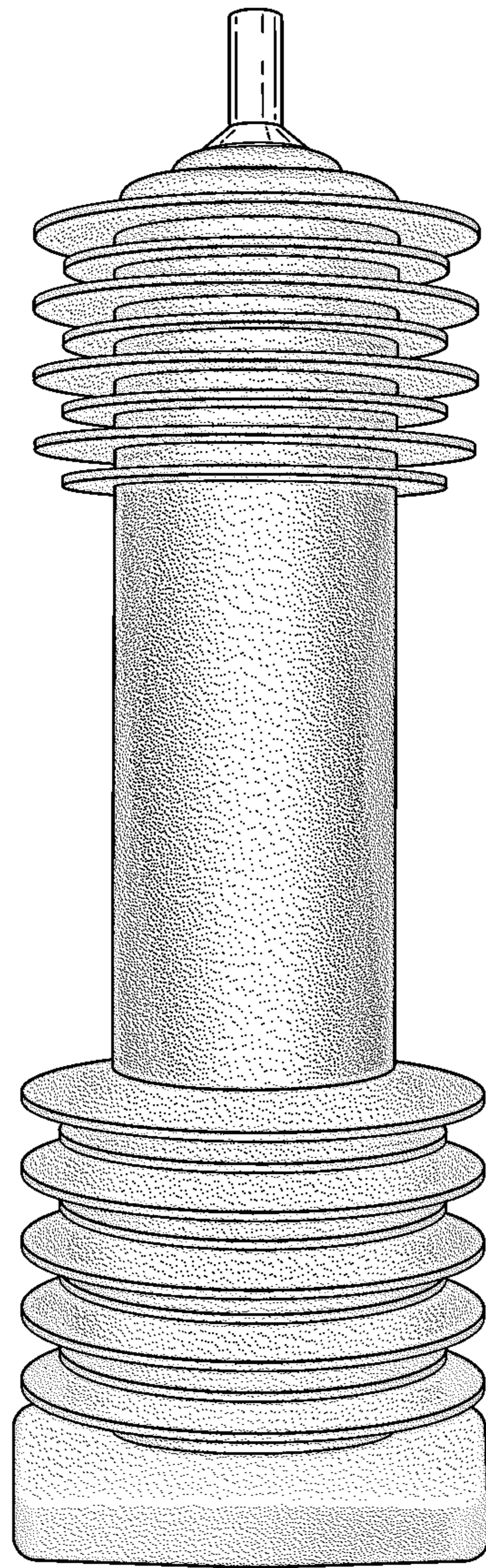


FIG. 5

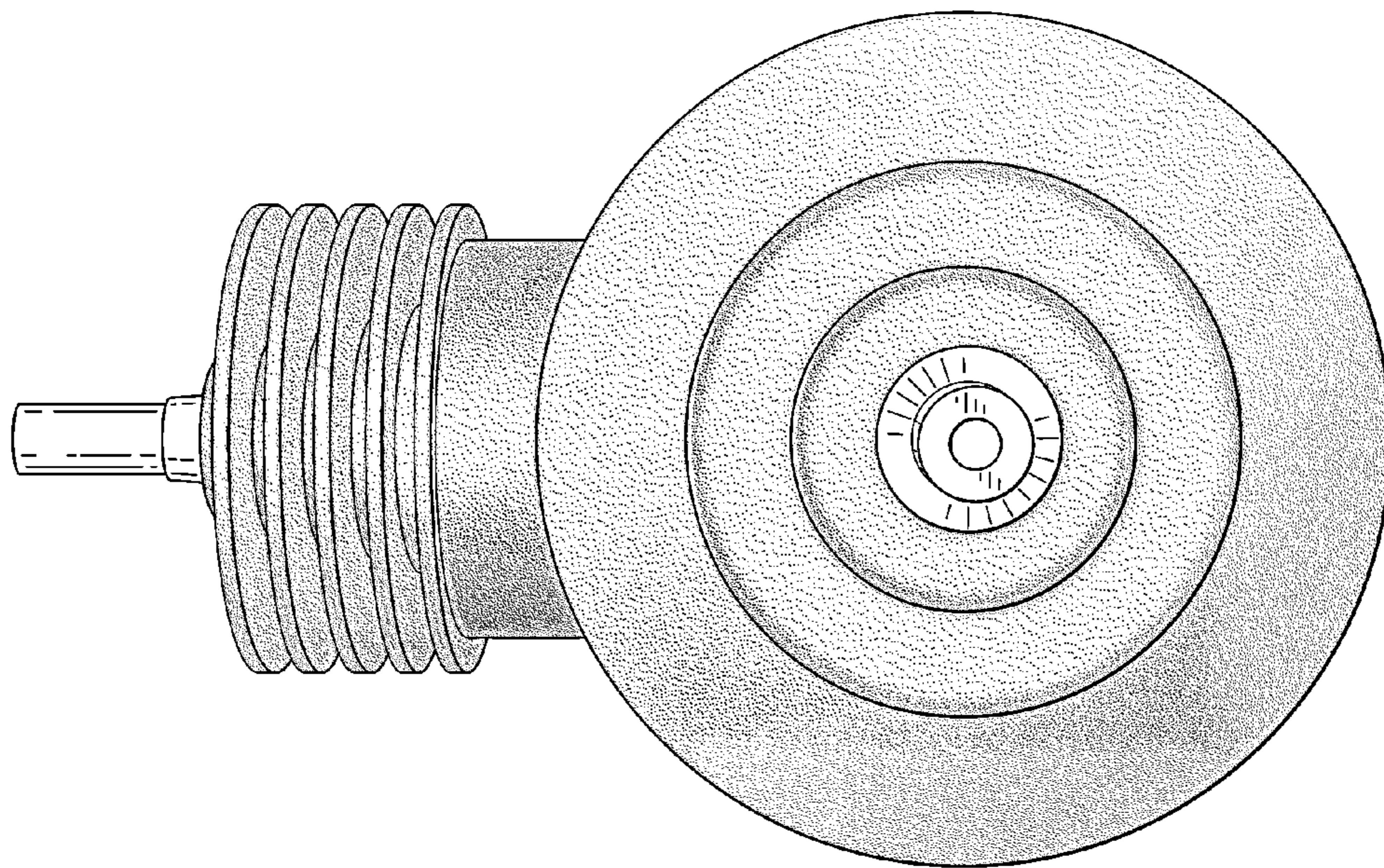


FIG. 6

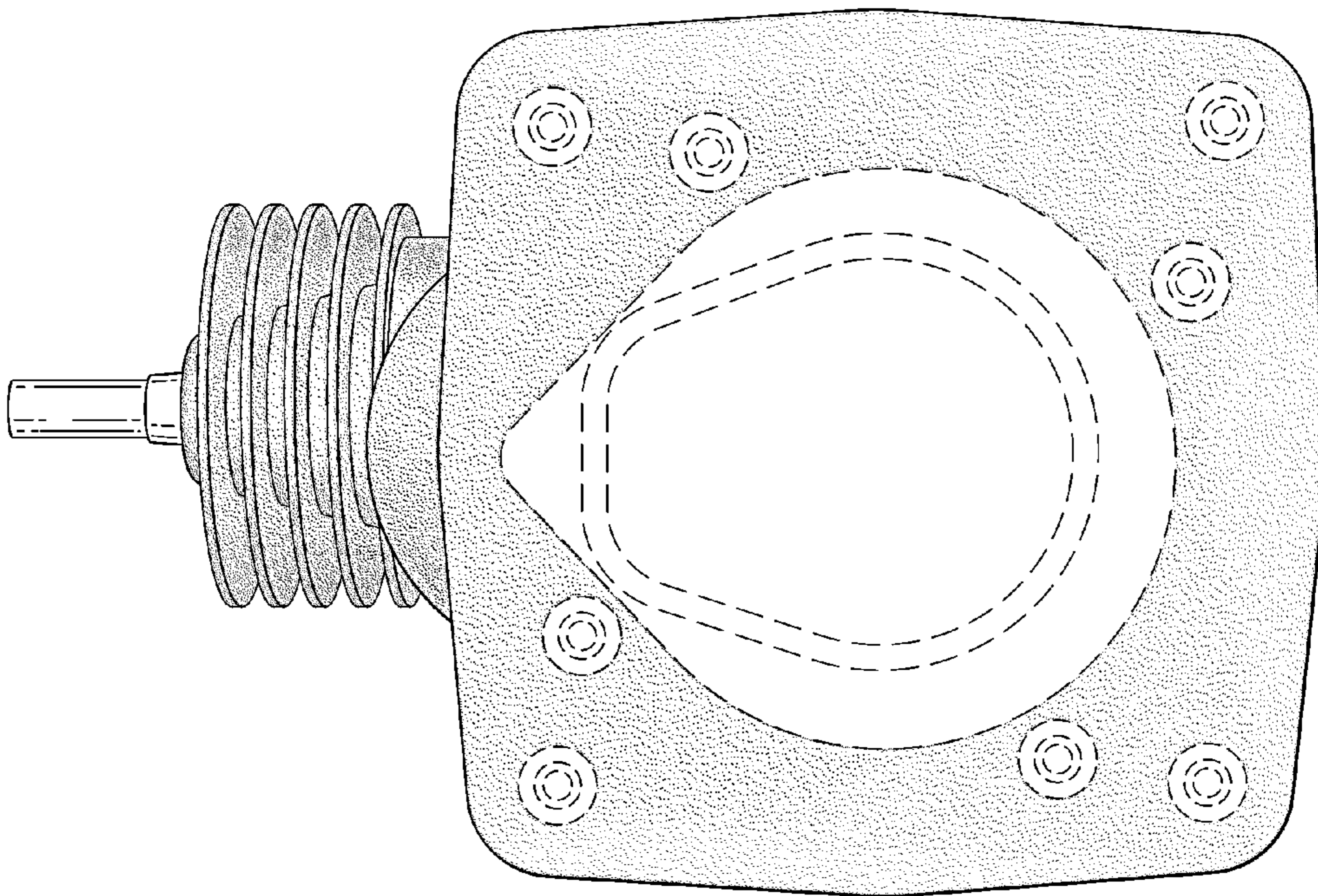


FIG. 7