



US00D692838S

(12) **United States Design Patent**
Winn

(10) **Patent No.:** **US D692,838 S**

(45) **Date of Patent:** **** Nov. 5, 2013**

(54) **WIRE CABLE TRAY**

(71) Applicant: **Richard Gregg Winn**, Belleville, IL
(US)

(72) Inventor: **Richard Gregg Winn**, Belleville, IL
(US)

(**) Term: **14 Years**

(21) Appl. No.: **29/434,792**

(22) Filed: **Oct. 17, 2012**

(51) **LOC (9) Cl.** **13-03**

(52) **U.S. Cl.**
USPC **D13/155**

(58) **Field of Classification Search**
USPC D13/155, 184, 199; 403/346, 391,
403/396-399; 248/49, 68.1, 249, 300, 302;
174/480, 481; D3/304, 306, 308, 309;
D7/600.1, 704

See application file for complete search history.

(56) **References Cited**

U.S. PATENT DOCUMENTS

5,384,937	A *	1/1995	Simon	24/295
6,138,961	A *	10/2000	Zweig	248/68.1
6,193,434	B1 *	2/2001	Durin et al.	403/329
6,239,364	B1 *	5/2001	Nickel	174/480
6,247,871	B1 *	6/2001	Nickel et al.	403/396
6,855,884	B2 *	2/2005	Spagnoli et al.	174/507

7,544,895	B2 *	6/2009	Penichon	174/135
7,546,987	B2 *	6/2009	Sinkoff	248/68.1
7,903,924	B2 *	3/2011	Pollard et al.	385/135
2001/0009192	A1 *	7/2001	Quertelet	174/48
2004/0056157	A1 *	3/2004	Dufourg	248/68.1
2004/0144898	A1 *	7/2004	Spagnoli	248/68.1
2005/0284828	A1 *	12/2005	Remmers	211/94.01
2006/0038091	A1 *	2/2006	Winn et al.	248/49
2010/0126950	A1 *	5/2010	Winn	211/133.5
2011/0006022	A1 *	1/2011	Caveney et al.	211/133.5

* cited by examiner

Primary Examiner — Derrick Holland

Assistant Examiner — Lauren Calve

(74) *Attorney, Agent, or Firm* — Douglas E. Warren

(57) **CLAIM**

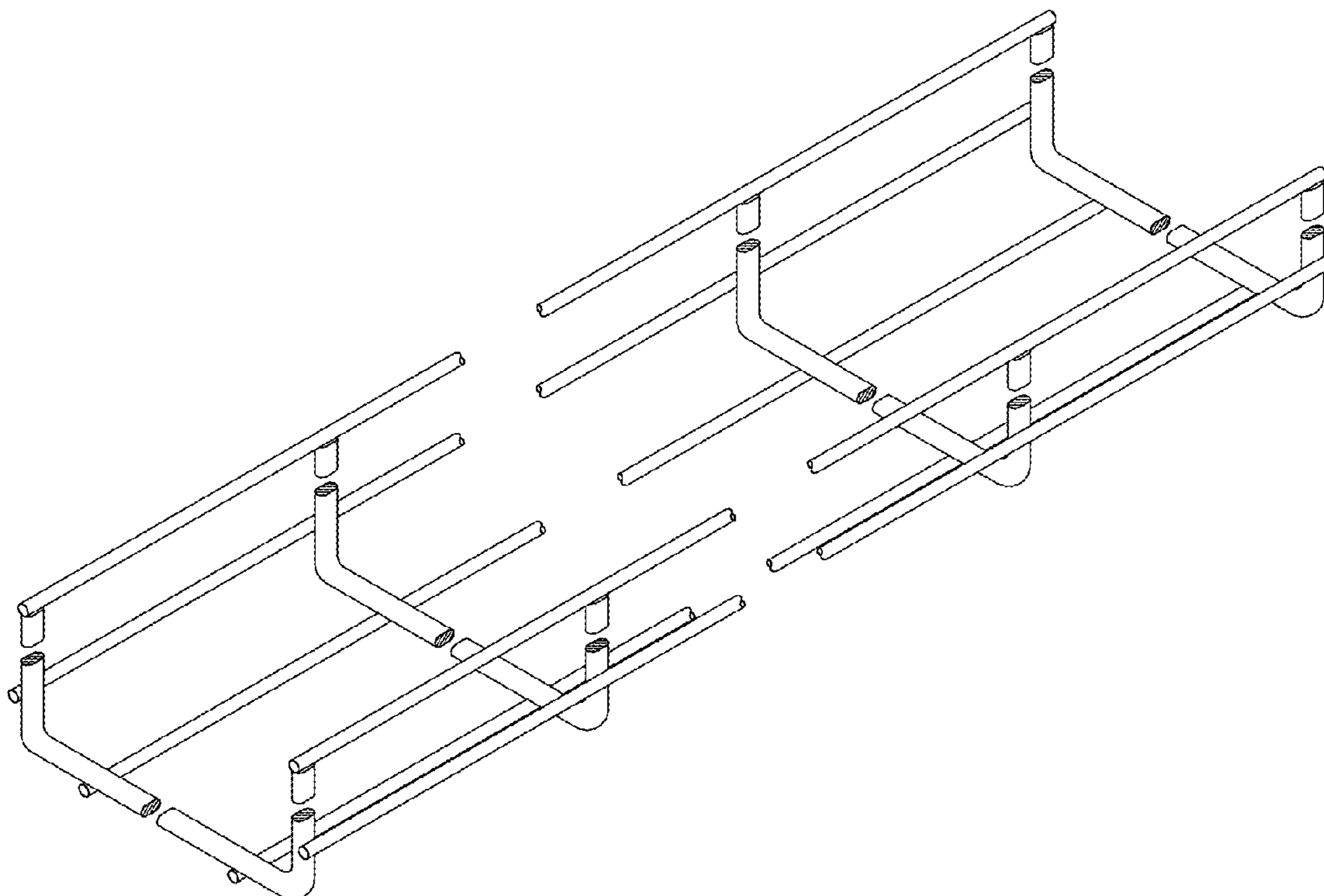
The ornamental design for a wire cable tray, substantially as shown and described.

DESCRIPTION

FIG. 1 is a front perspective view of a wire cable tray of the present invention;
FIG. 2 is an end elevation view thereof;
FIG. 3 is a top plan view thereof;
FIG. 4 is a left elevation view thereof;
FIG. 5 is a bottom view thereof; and,
FIG. 6 is a sectional view thereof taken along lines 6-6 indicated in FIG. 3.

The wire cable tray has been shown broken to indicate indeterminate length.

1 Claim, 2 Drawing Sheets



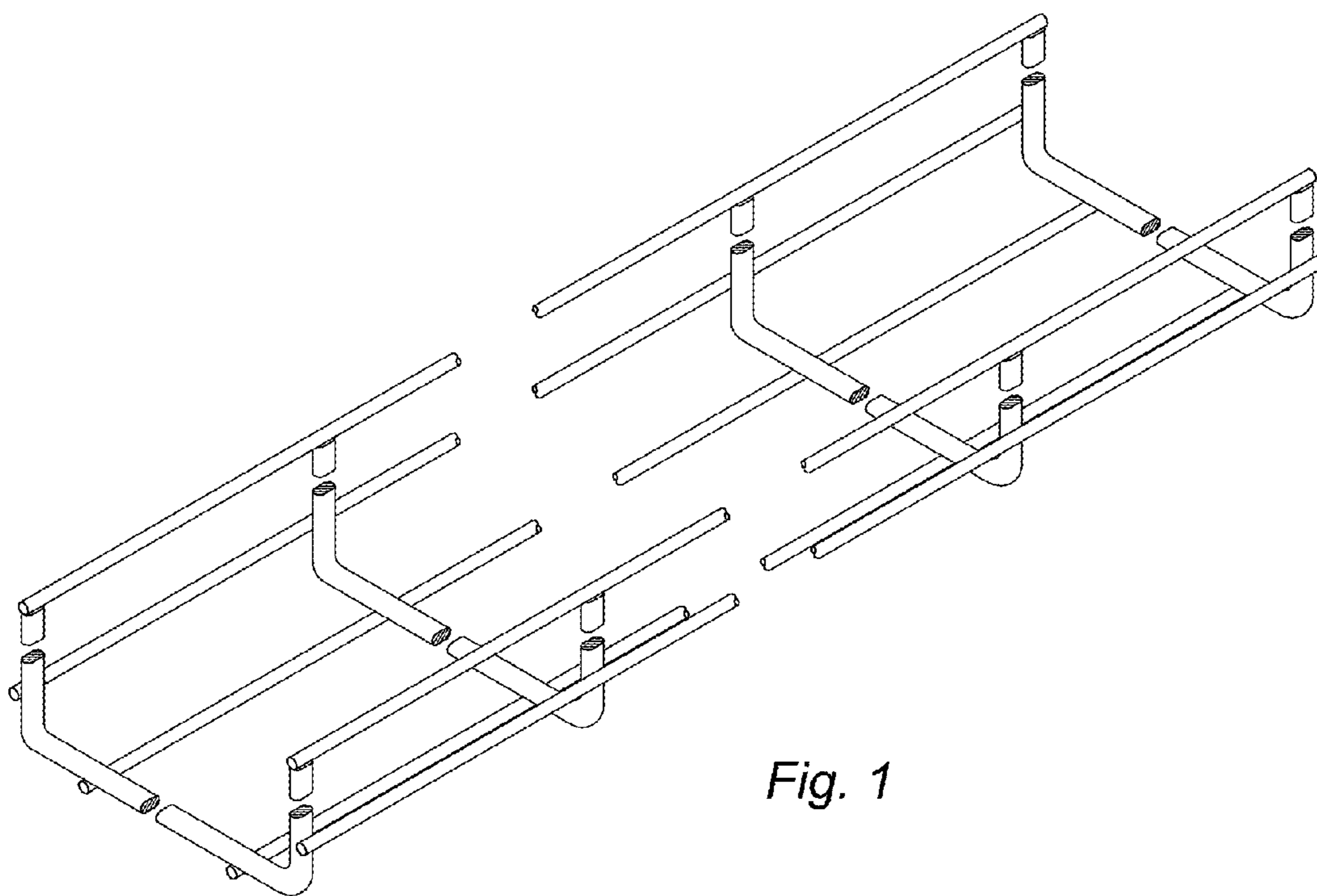


Fig. 1

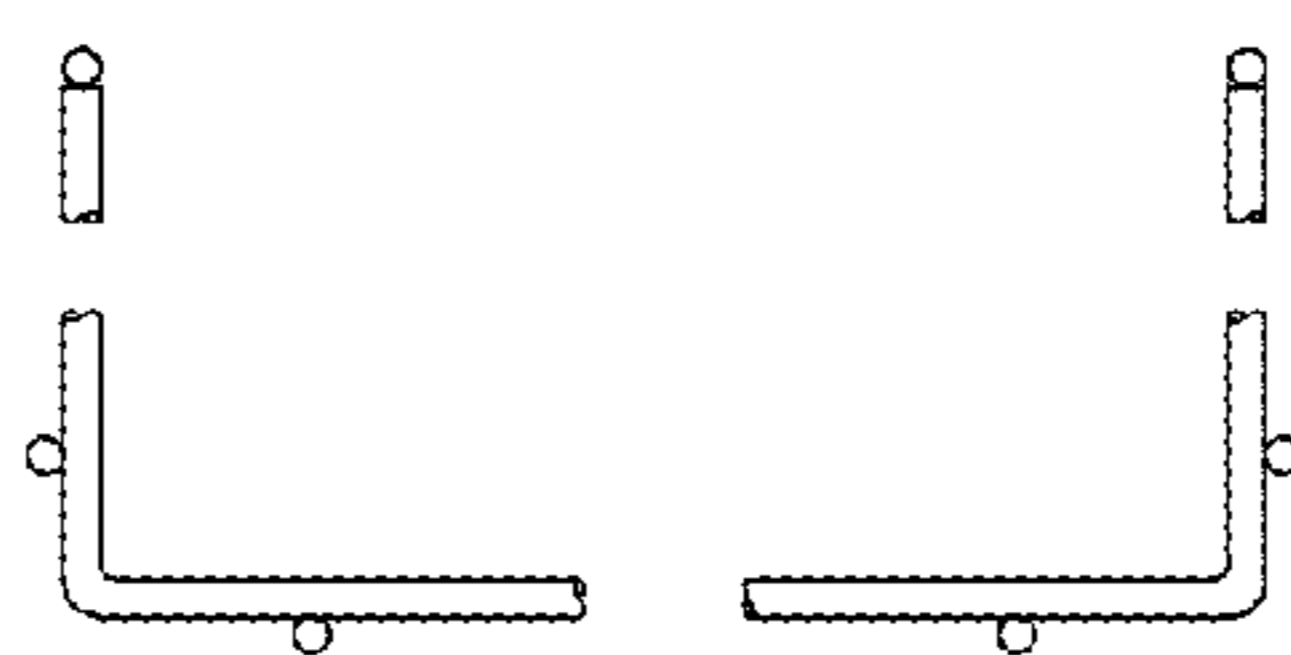


Fig. 2

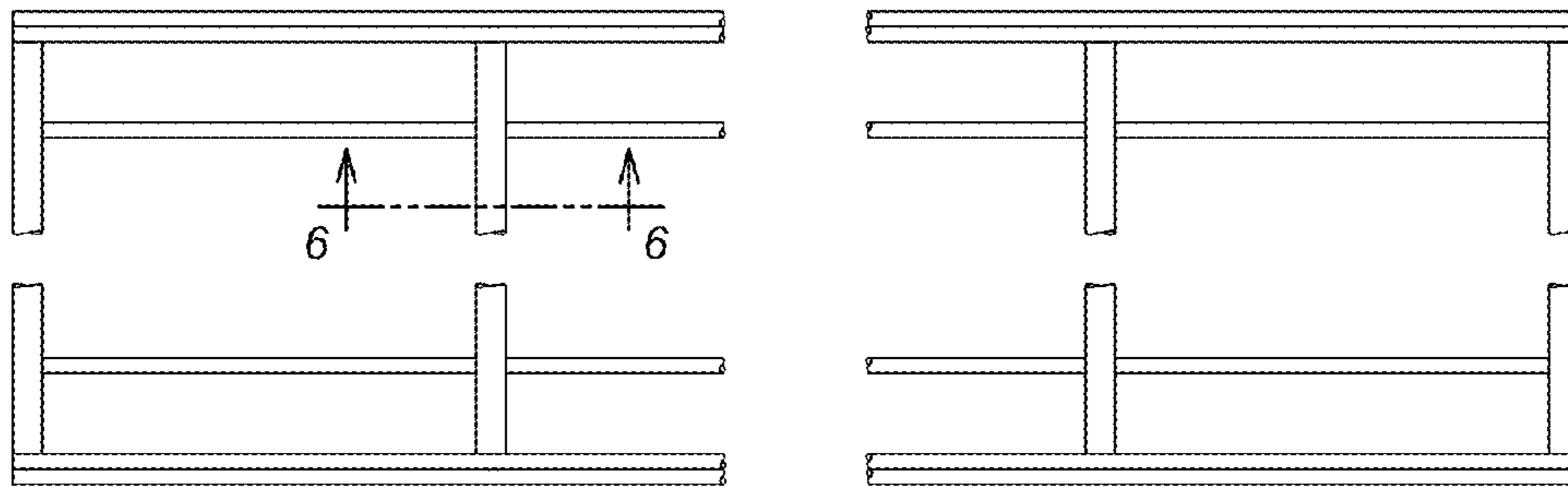


Fig. 3

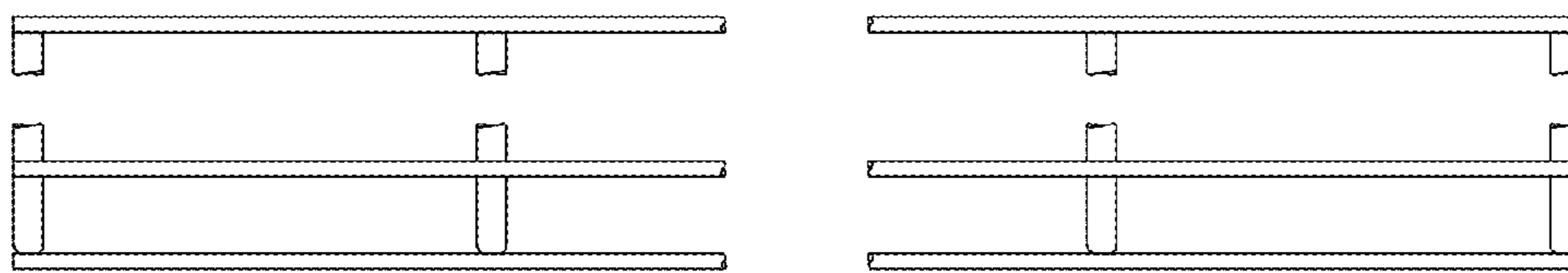


Fig. 4

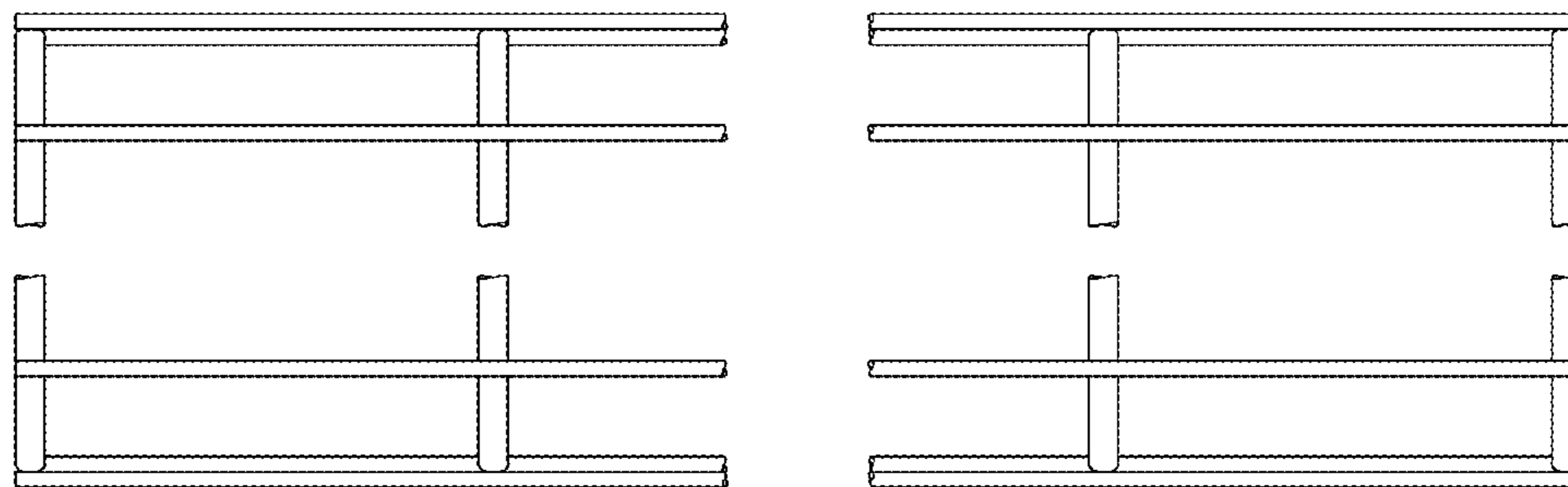


Fig. 5

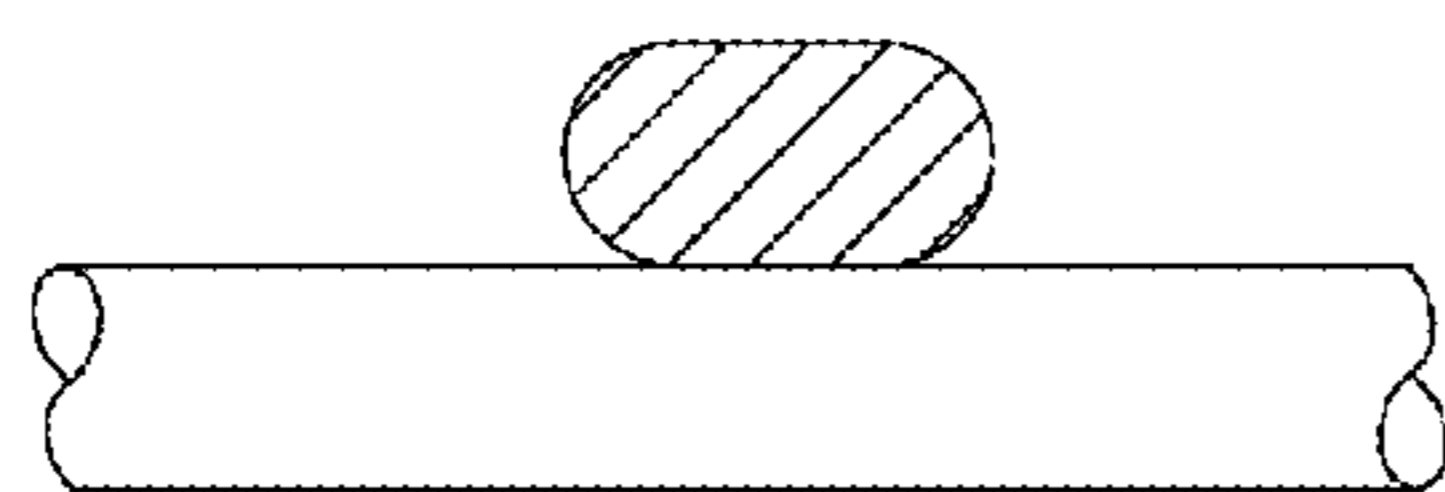


Fig. 6

UNITED STATES PATENT AND TRADEMARK OFFICE
CERTIFICATE OF CORRECTION

PATENT NO. : D692,838 S
APPLICATION NO. : 29/434792
DATED : November 5, 2013
INVENTOR(S) : Richard Gregg Winn

Page 1 of 1

It is certified that error appears in the above-identified patent and that said Letters Patent is hereby corrected as shown below:

Title page, item (63), please insert;

--Related U.S. Application Data

Continuation of nonprovisional application serial number 12/319,836, filed January 13, 2009.--

Signed and Sealed this
Seventeenth Day of June, 2014



Michelle K. Lee
Deputy Director of the United States Patent and Trademark Office