



US00D692837S

(12) **United States Design Patent**
Knapp et al.

(10) **Patent No.:** **US D692,837 S**

(45) **Date of Patent:** **** Nov. 5, 2013**

(54) **ELECTRICAL FLOOR RUNNER**
(75) Inventors: **Robert L. Knapp**, Rockford, MI (US);
Randell E. Pate, Jenison, MI (US);
Christa R. Anderson, Walker, MI (US)

(73) Assignee: **Norman R. Byrne**, Ada, MI (US)

(**) Term: **14 Years**

(21) Appl. No.: **29/394,119**

(22) Filed: **Jun. 13, 2011**

(51) **LOC (9) Cl.** **13-03**

(52) **U.S. Cl.**
USPC **D13/155; D13/139.2**

(58) **Field of Classification Search**
USPC D13/155, 123, 133, 137.2, 139.1, 139.2,
D13/139.4, 139.7, 146, 147, 154, 184, 199;
D14/432, 433, 434; 174/68.1, 68.3,
174/70 C, 70 R, 90, 481, 482; 439/207, 208,
439/209, 210, 211, 501, 502, 650
See application file for complete search history.

(56) **References Cited**

U.S. PATENT DOCUMENTS

D130,827	S	*	12/1941	O'brien	D13/139.2
4,780,094	A	*	10/1988	Batty et al.	439/492
D355,890	S	*	2/1995	Lentz	D13/139.4
D357,460	S	*	4/1995	Lovett	D13/139.1
D415,112	S	*	10/1999	Henry	D13/155
D425,482	S	*	5/2000	Rossmann et al.	D13/139.1
6,350,135	B1	*	2/2002	Acklin et al.	439/211
D457,141	S	*	5/2002	Barlow et al.	D13/153
6,492,594	B1	*	12/2002	Magyar et al.	174/97

6,827,592	B2	*	12/2004	McCoy et al.	439/118
D535,257	S		1/2007	Byrne		
D535,948	S	*	1/2007	Lee	D13/139.8
7,201,589	B2	*	4/2007	Jong	439/94
7,244,128	B2		7/2007	Byrne		
D563,323	S	*	3/2008	Henry	D13/155
D576,107	S	*	9/2008	Sayres et al.	D13/155
7,438,566	B2	*	10/2008	Chen	439/110

* cited by examiner

Primary Examiner — Derrick Holland

(74) *Attorney, Agent, or Firm* — Gardner Linn Burkhardt & Flory LLP

(57) **CLAIM**

The ornamental design for an electrical floor runner, as shown and described.

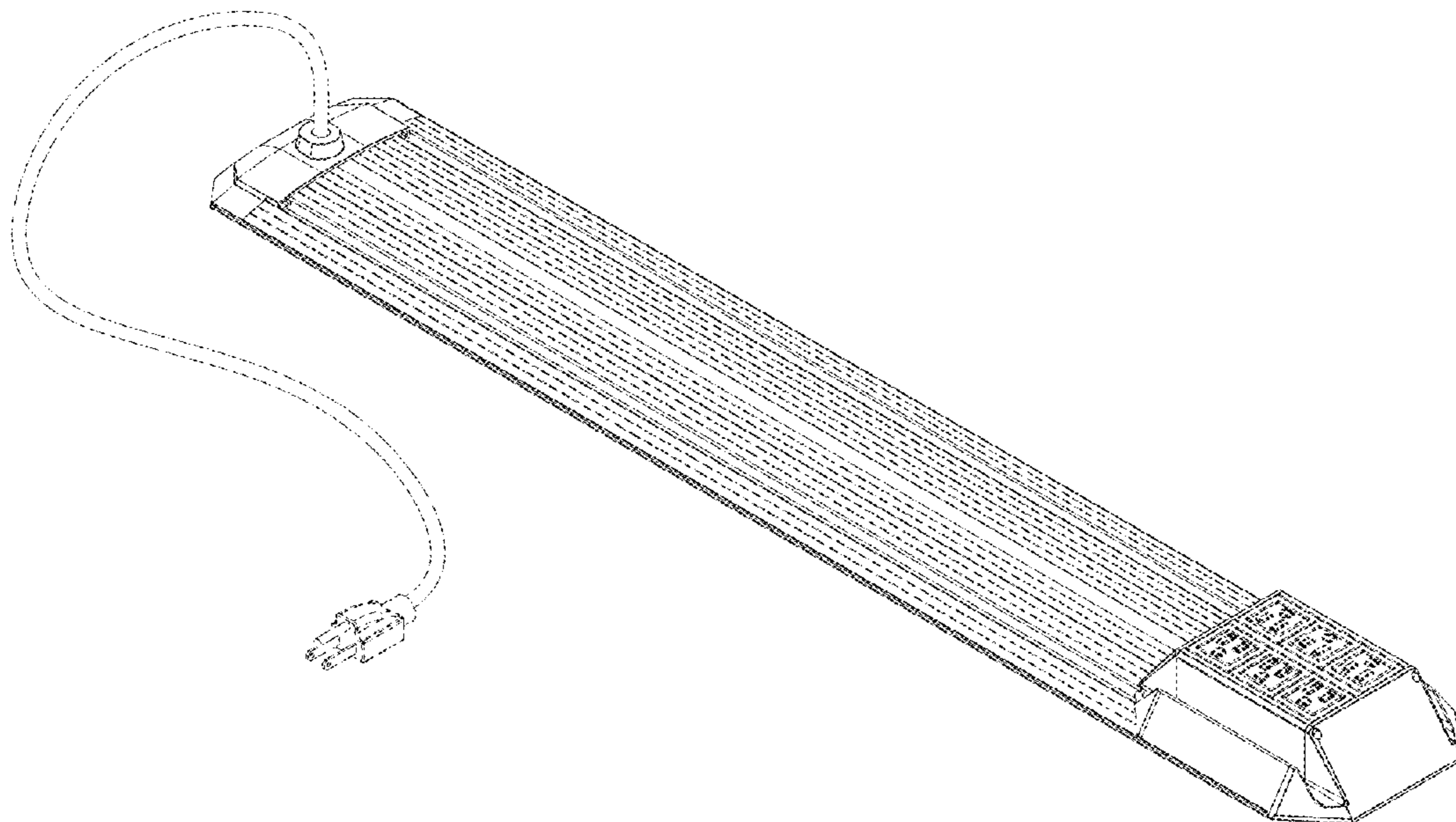
DESCRIPTION

FIG. 1 is a perspective view of the electrical floor runner showing our new design, taken from above and to the side; FIG. 2 is a top plan view of the electrical floor runner of FIG. 1; FIG. 3 is a left-side elevation of the electrical floor runner of FIG. 1; FIG. 4 is a right-side elevation of the electrical floor runner of FIG. 1; FIG. 5 is a front elevation of the electrical floor runner of FIG. 1; and, FIG. 6 is a rear elevation of the electrical floor runner of FIG. 1.

A bottom view of the electrical floor runner constitutes no part of the claimed design.

The broken lines shown represent unclaimed subject matter and form no part of the claimed design.

1 Claim, 6 Drawing Sheets



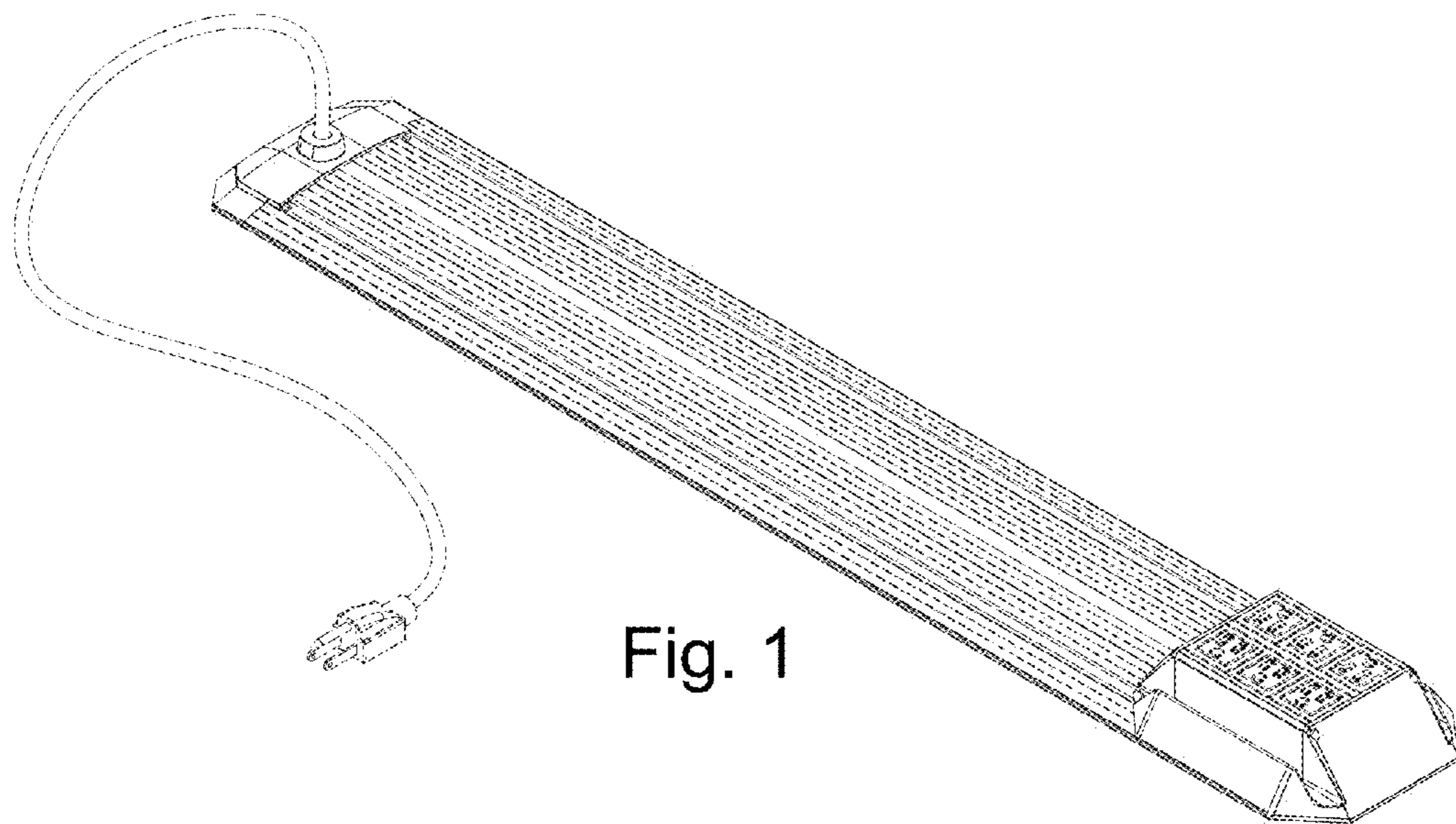


Fig. 1

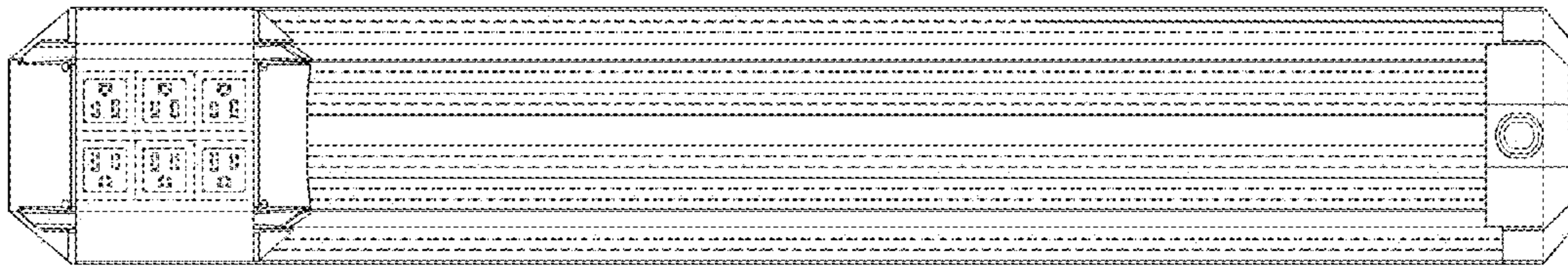


Fig. 2

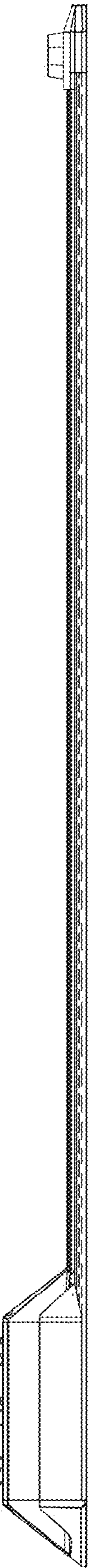


Fig. 3



Fig. 4



FIG. 5

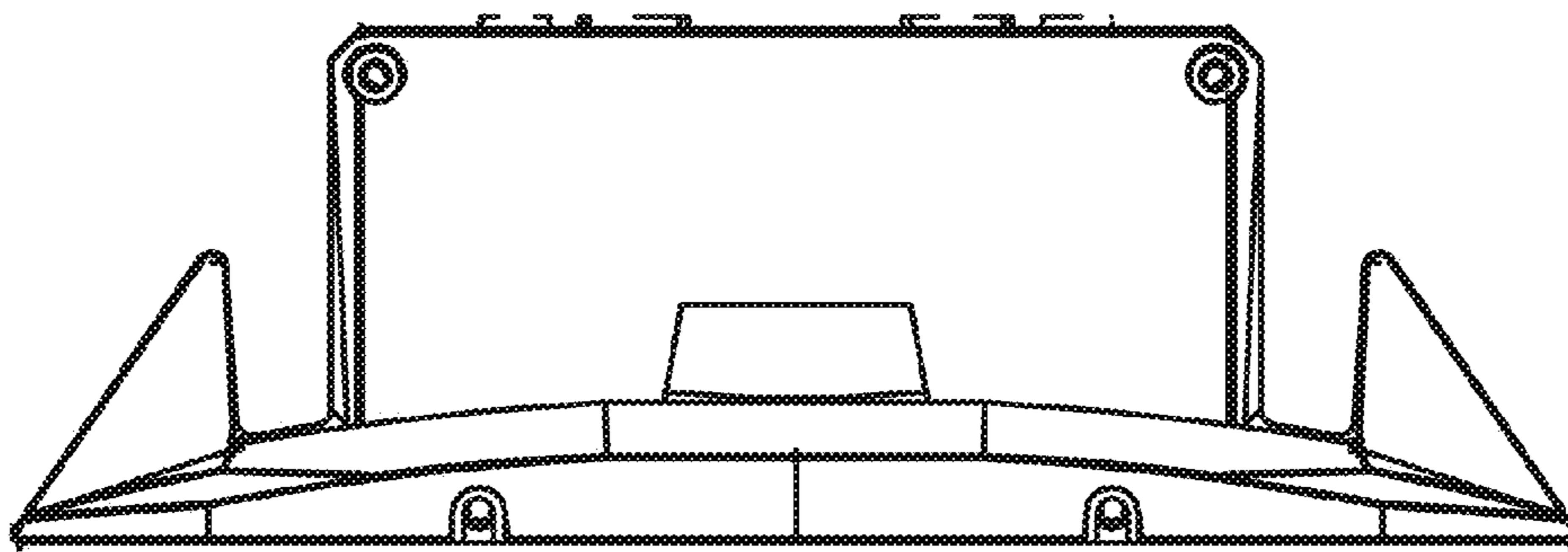


FIG. 6