



US00D692836S

(12) **United States Design Patent**  
**Thomas et al.**

(10) **Patent No.:** **US D692,836 S**  
(45) **Date of Patent:** **\*\* Nov. 5, 2013**

(54) **ELECTRICAL DEVICE BOX WITH EXTENSIONS**

(71) Applicants: **Jason Thomas**, Mesa, AZ (US);  
**Richard Jon Wagner**, South Bend, IN (US)

(72) Inventors: **Jason Thomas**, Mesa, AZ (US);  
**Richard Jon Wagner**, South Bend, IN (US)

(73) Assignee: **Hubbell Incorporated**, Shelton, CT (US)

(\*\*) Term: **14 Years**

(21) Appl. No.: **29/437,804**

(22) Filed: **Nov. 20, 2012**

(51) **LOC (9) Cl.** ..... **13-03**

(52) **U.S. Cl.**  
USPC ..... **D13/152; D13/156**

(58) **Field of Classification Search**  
USPC ..... D13/156, 152, 153, 154, 177, 184, 199;  
D8/353; 174/50, 53, 54, 55, 58, 60, 66,  
174/67; 220/4.02, 241, 244; 248/906;  
439/345, 373, 535, 536  
See application file for complete search history.

(56) **References Cited**

**U.S. PATENT DOCUMENTS**

D265,986 S \* 8/1982 Wearsch et al. .... D13/156  
D274,721 S \* 7/1984 Smith ..... D14/240

5,773,760 A \* 6/1998 Stark et al. .... 174/66  
D466,085 S \* 11/2002 Heggem ..... D13/152  
D531,961 S \* 11/2006 Greenfield ..... D13/156  
7,183,483 B1 \* 2/2007 Anderson et al. .... 174/50  
D556,143 S \* 11/2007 Ni ..... D13/152  
D596,582 S \* 7/2009 Stuckmann et al. .... D13/152  
D598,392 S \* 8/2009 Vigorito et al. .... D13/152  
D605,139 S \* 12/2009 Moore ..... D13/156

\* cited by examiner

*Primary Examiner* — Derrick Holland

(74) *Attorney, Agent, or Firm* — Alfred N. Goodman; Marks S. Bicks; Garret V. Davis

(57) **CLAIM**

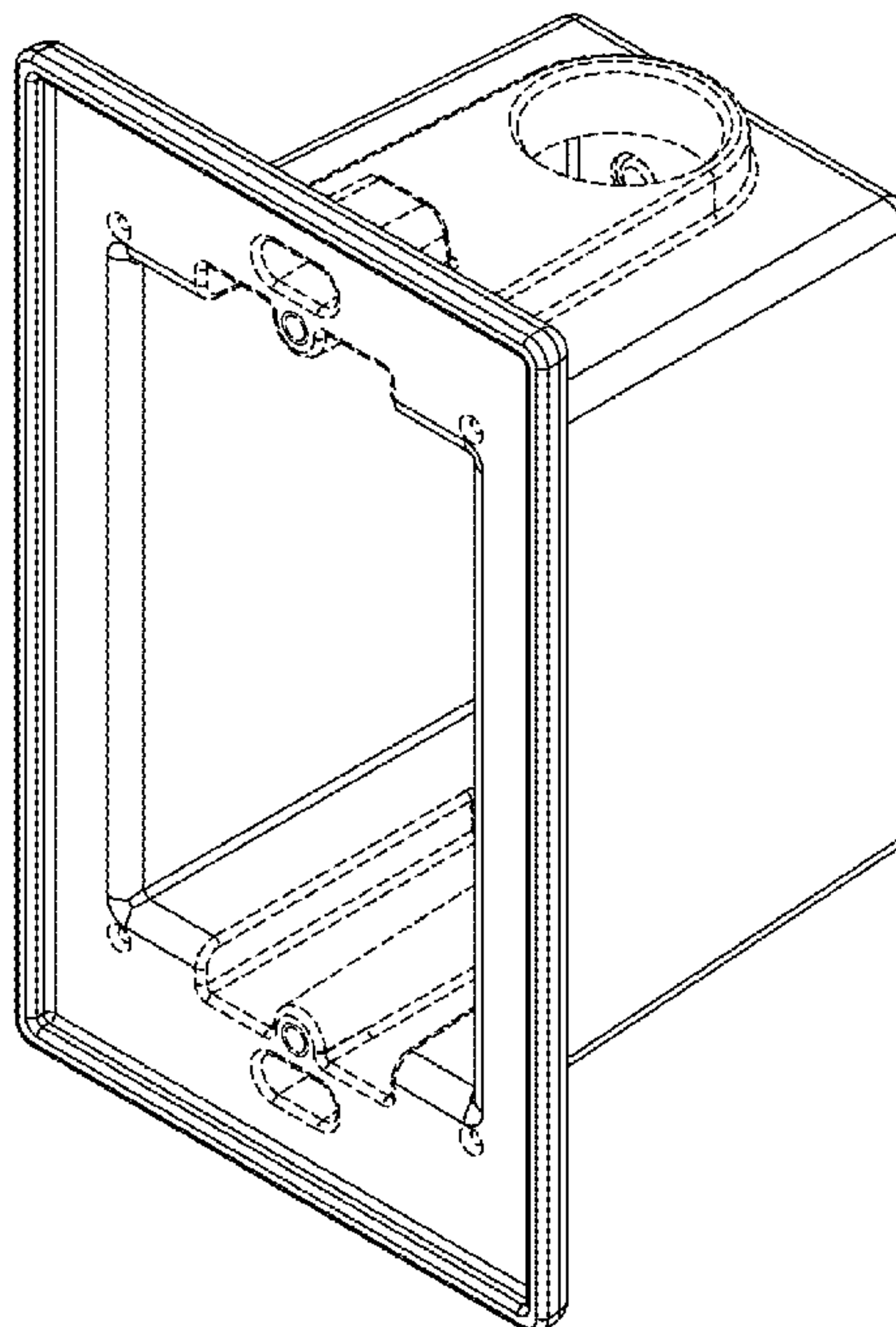
The ornamental design for an electrical device box with extensions, as shown and described.

**DESCRIPTION**

FIG. 1 is a front view of electrical device box with extensions; FIG. 2 is a left side view thereof; FIG. 3 is a rear view thereof; FIG. 4 is a right side view thereof; FIG. 5 is a bottom view thereof; FIG. 6 is a top view thereof; FIG. 7 is a rear perspective view thereof; and, FIG. 8 is a front perspective view of electrical device box with extensions.

The broken lines are included for the purpose of illustrating environmental features and form no part of the claimed design.

**1 Claim, 8 Drawing Sheets**



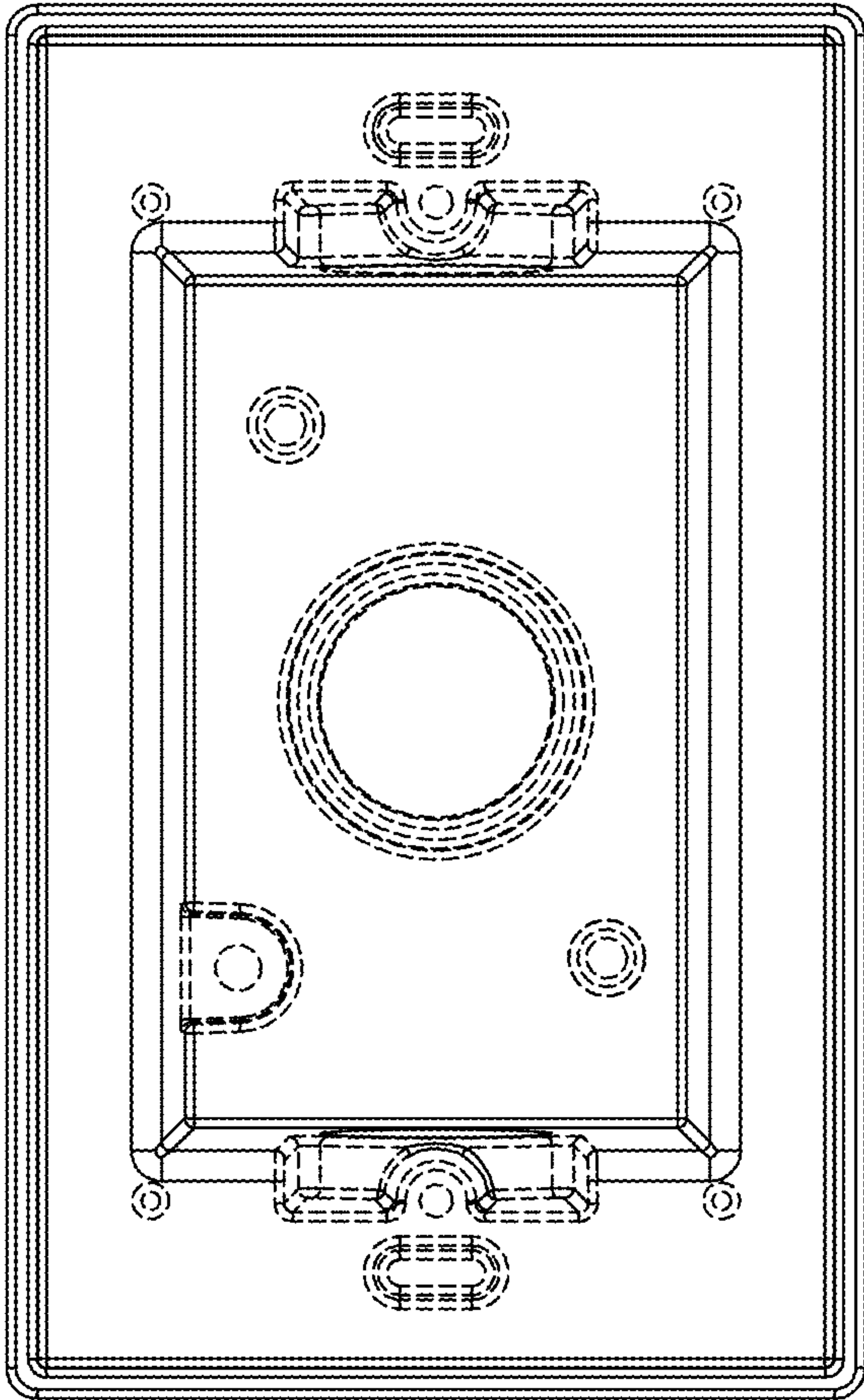


FIG. 1

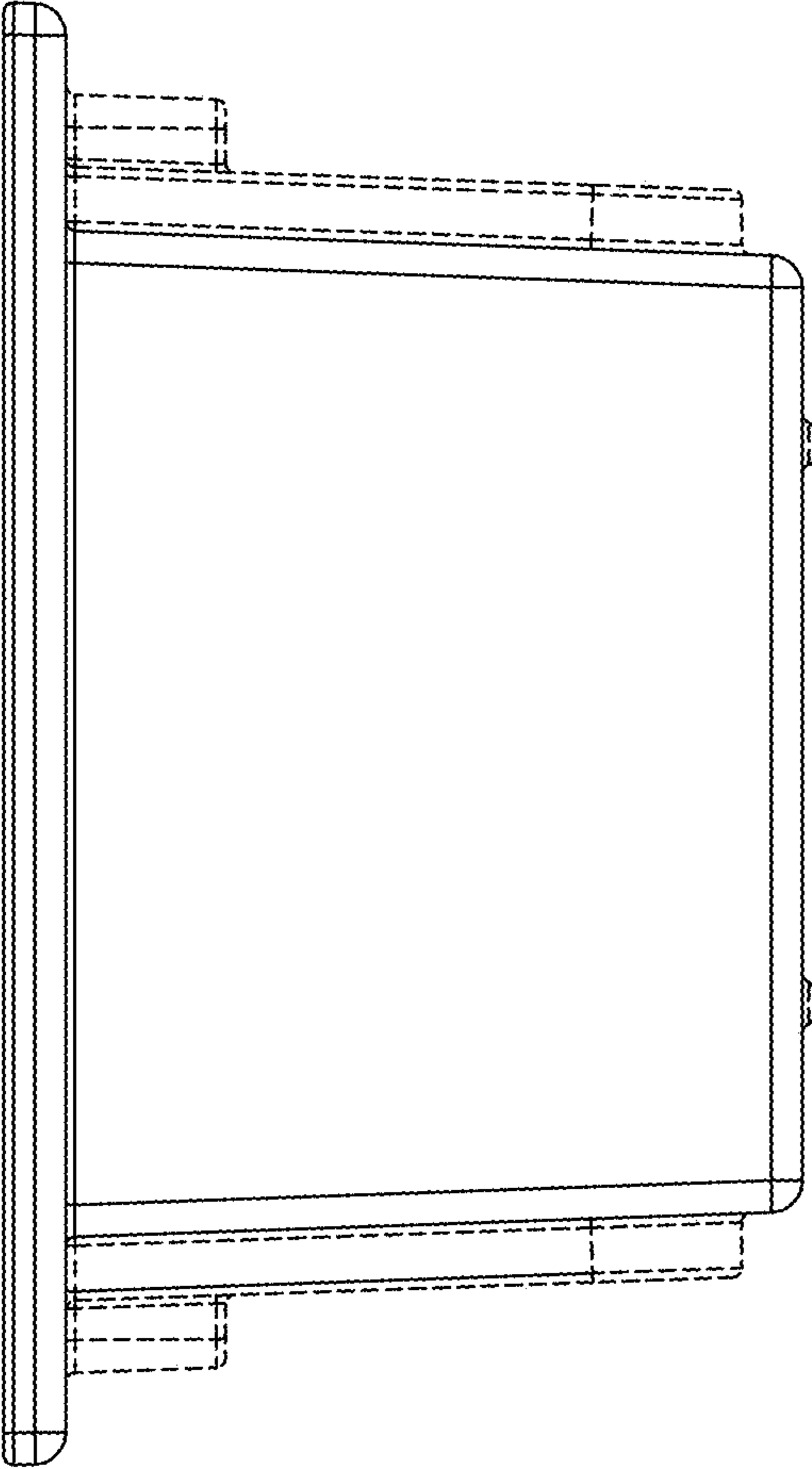


FIG. 2

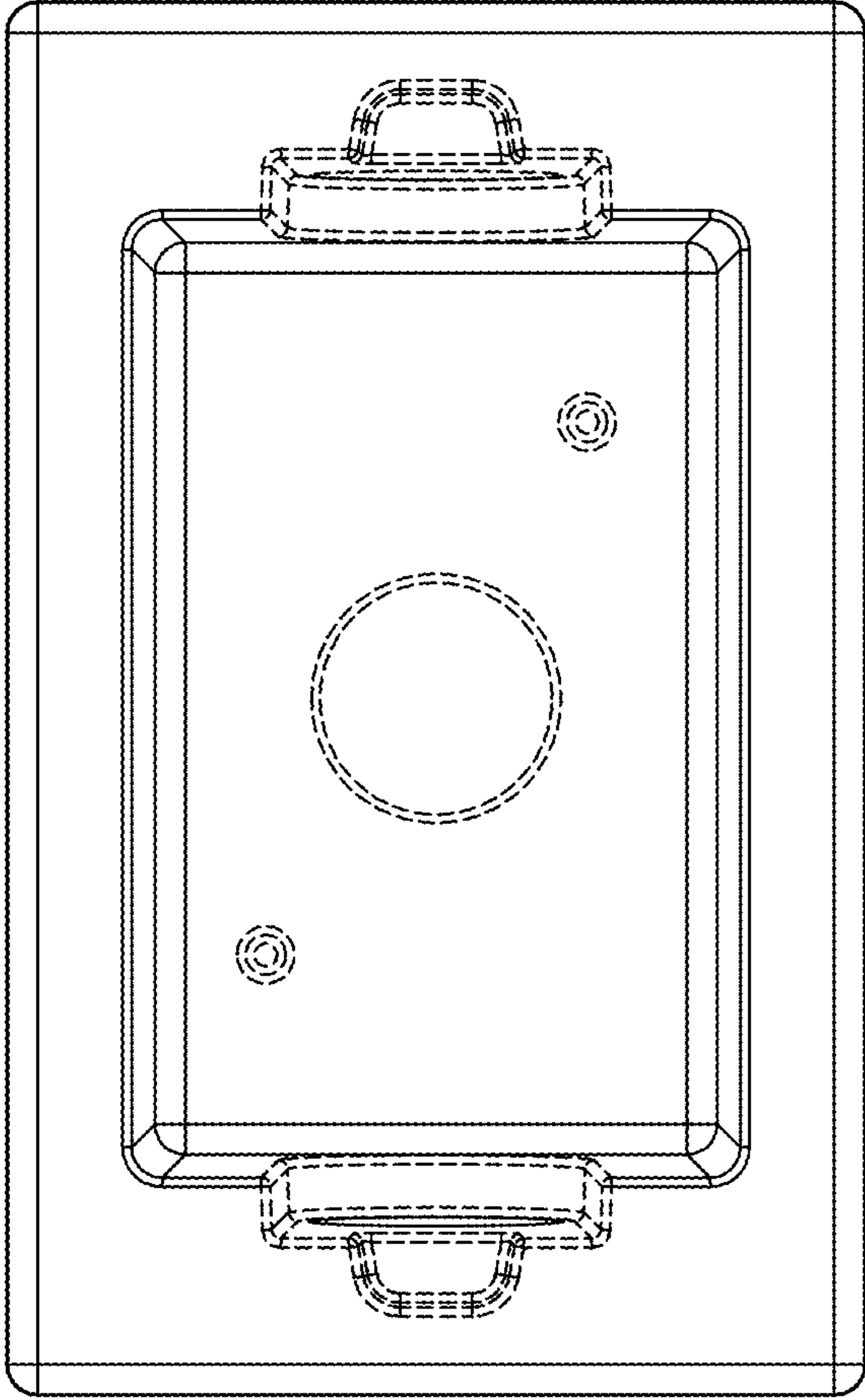


FIG. 3

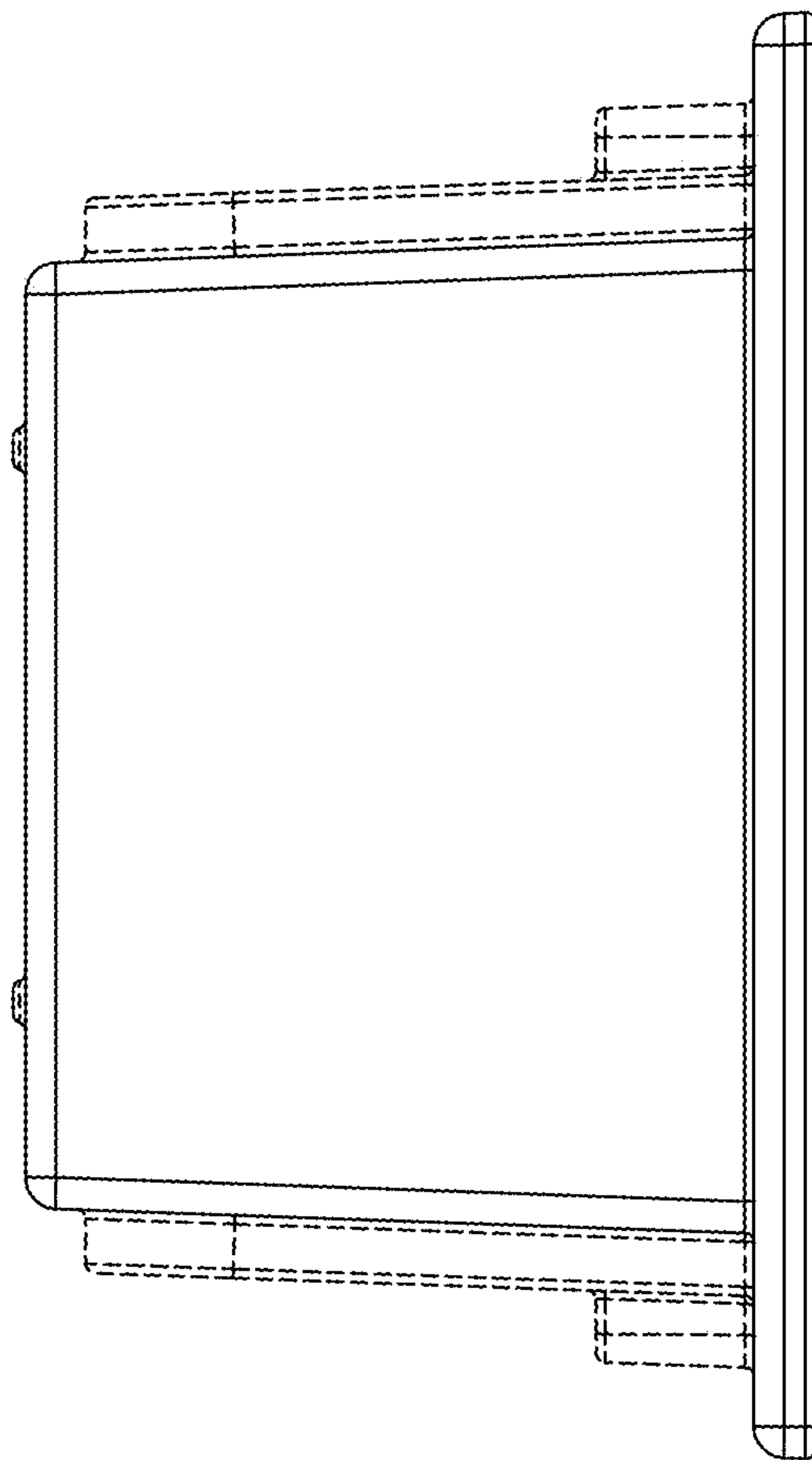


FIG. 4

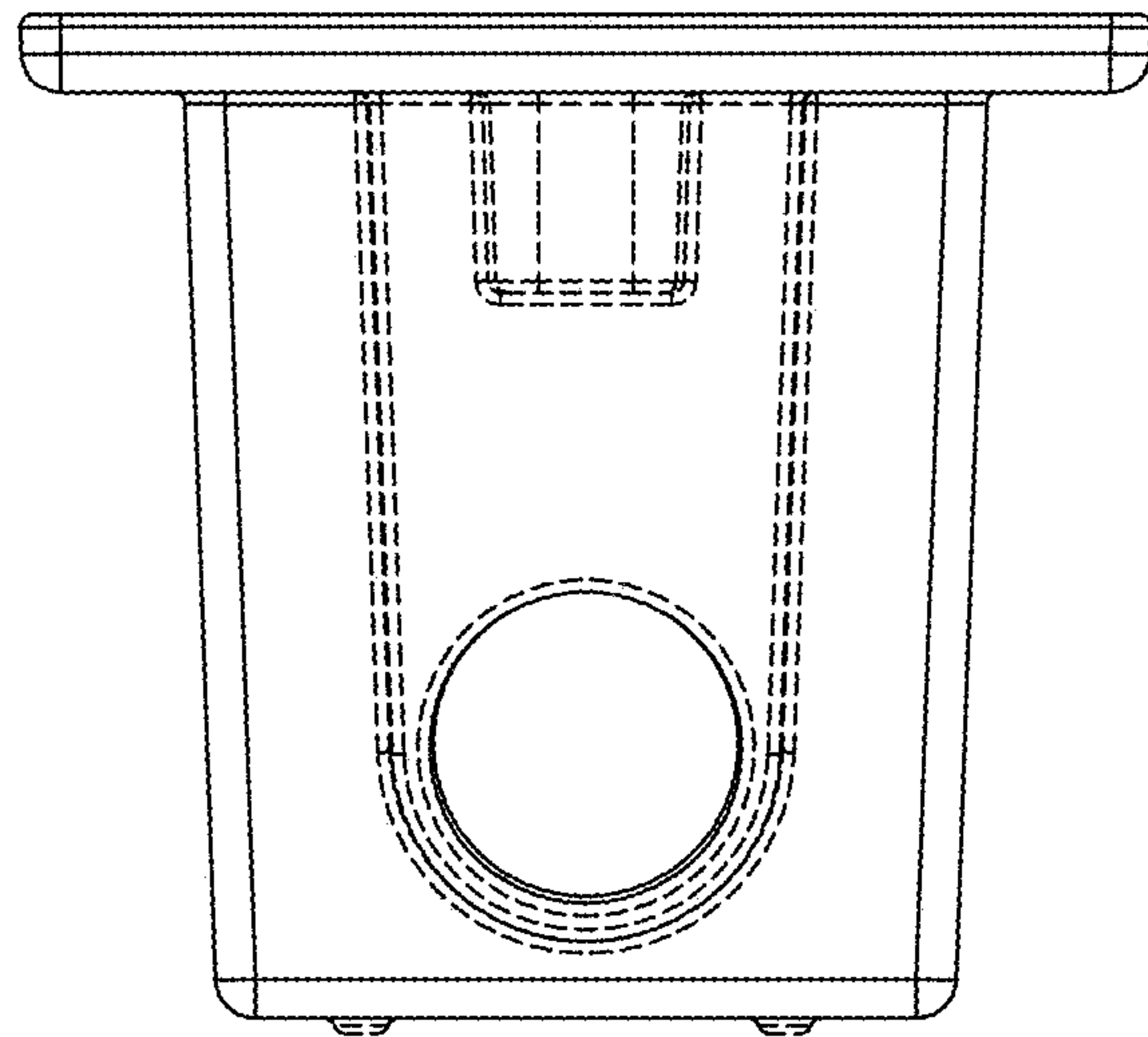


FIG. 5

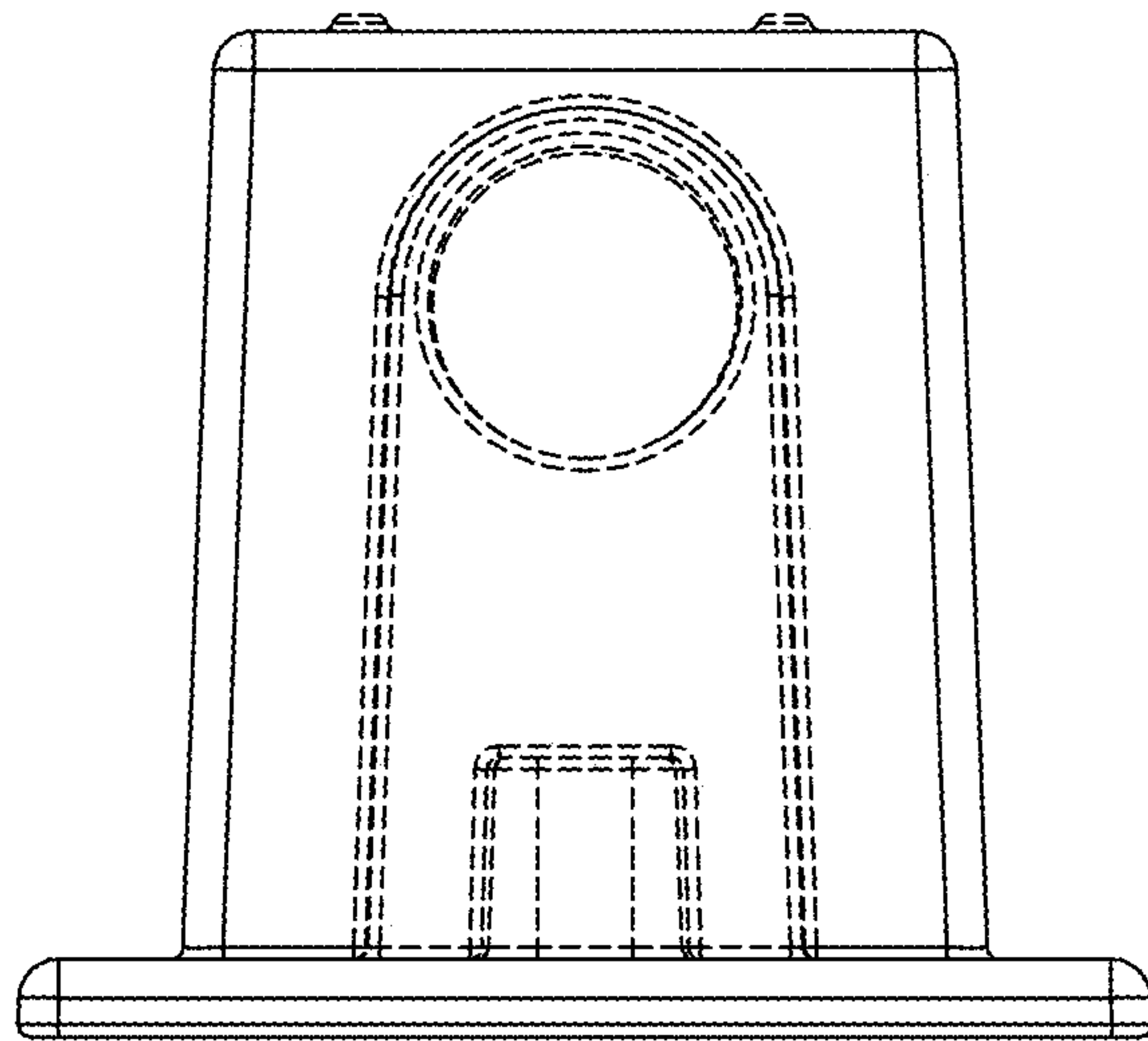


FIG. 6



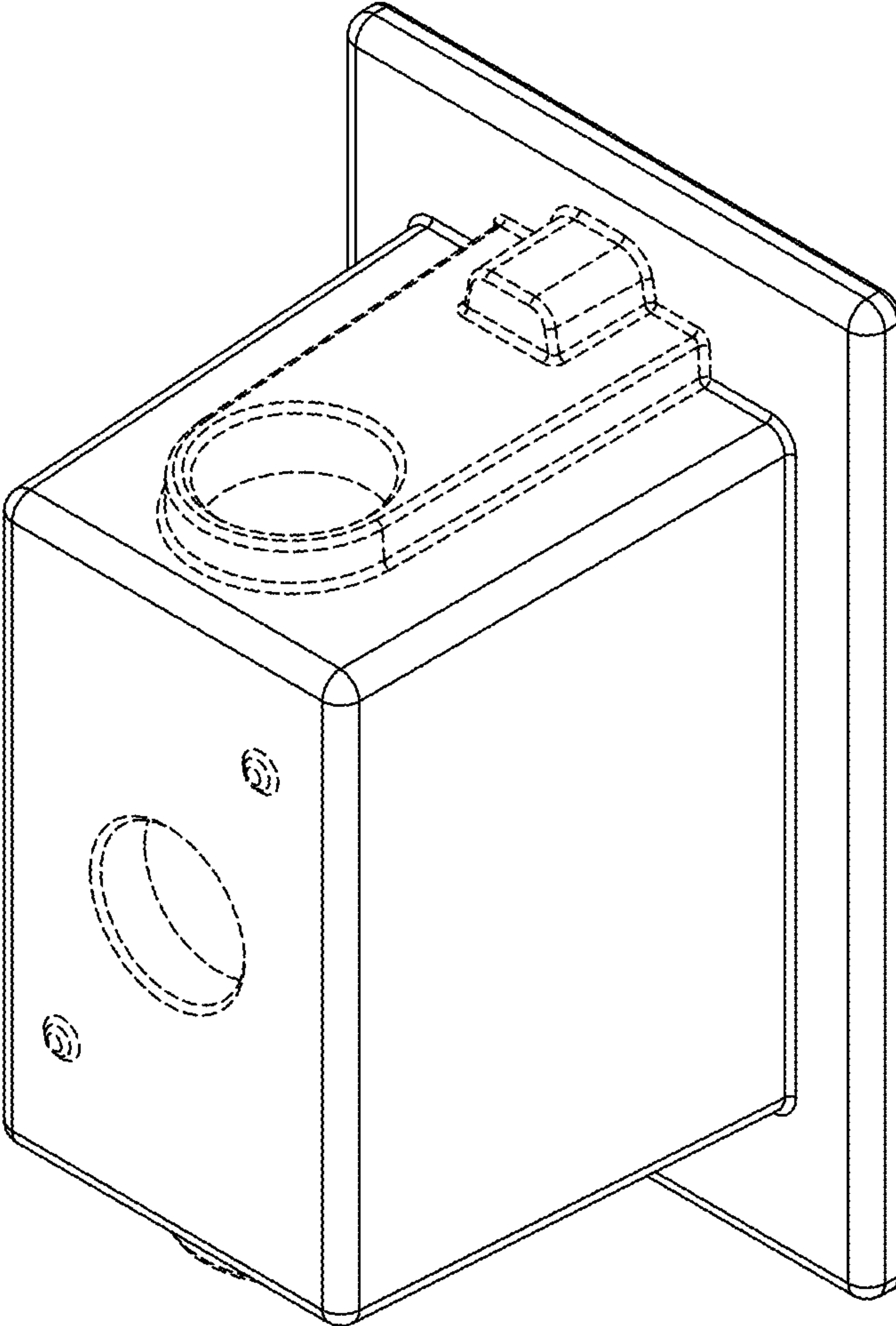


FIG. 7



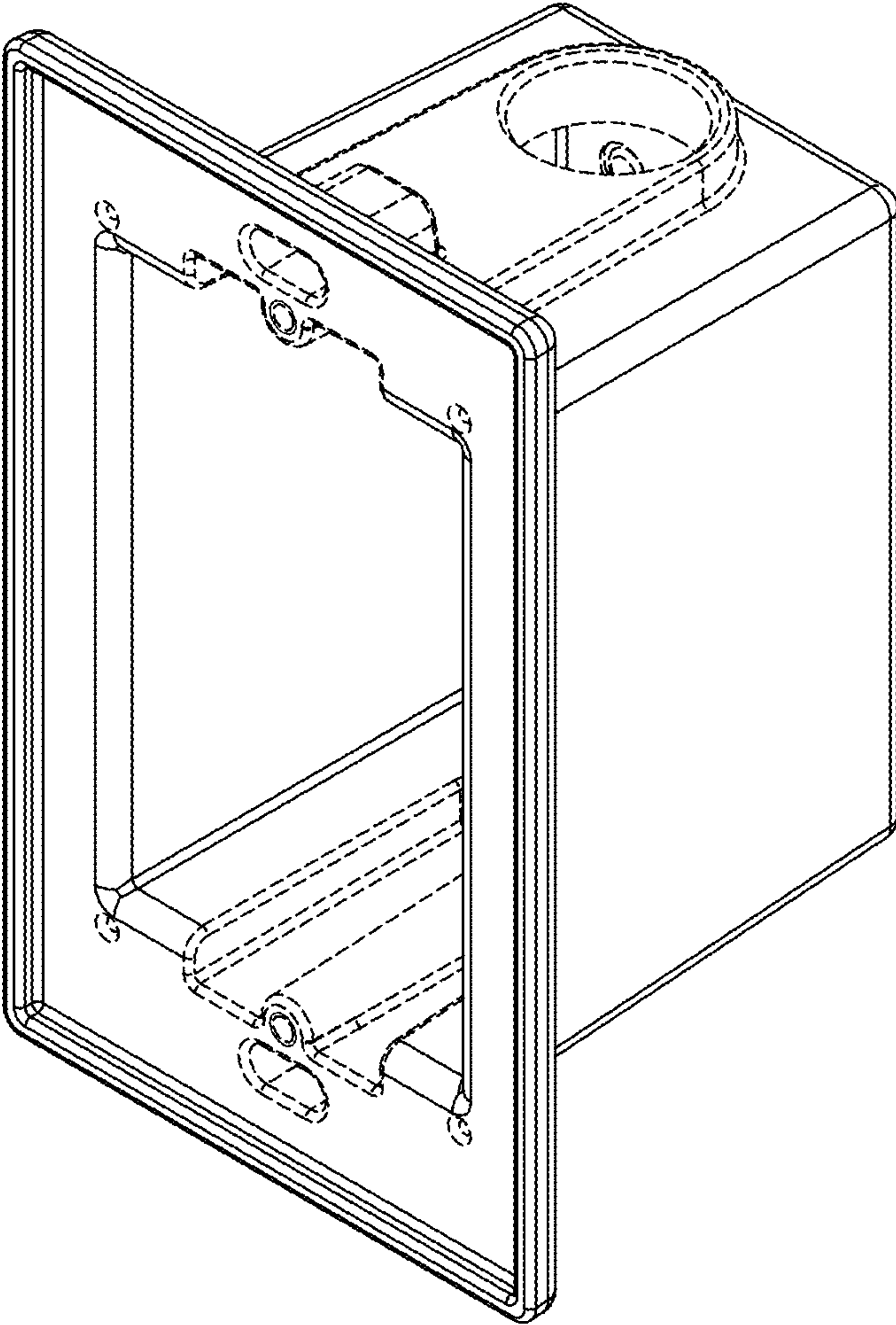


FIG. 8